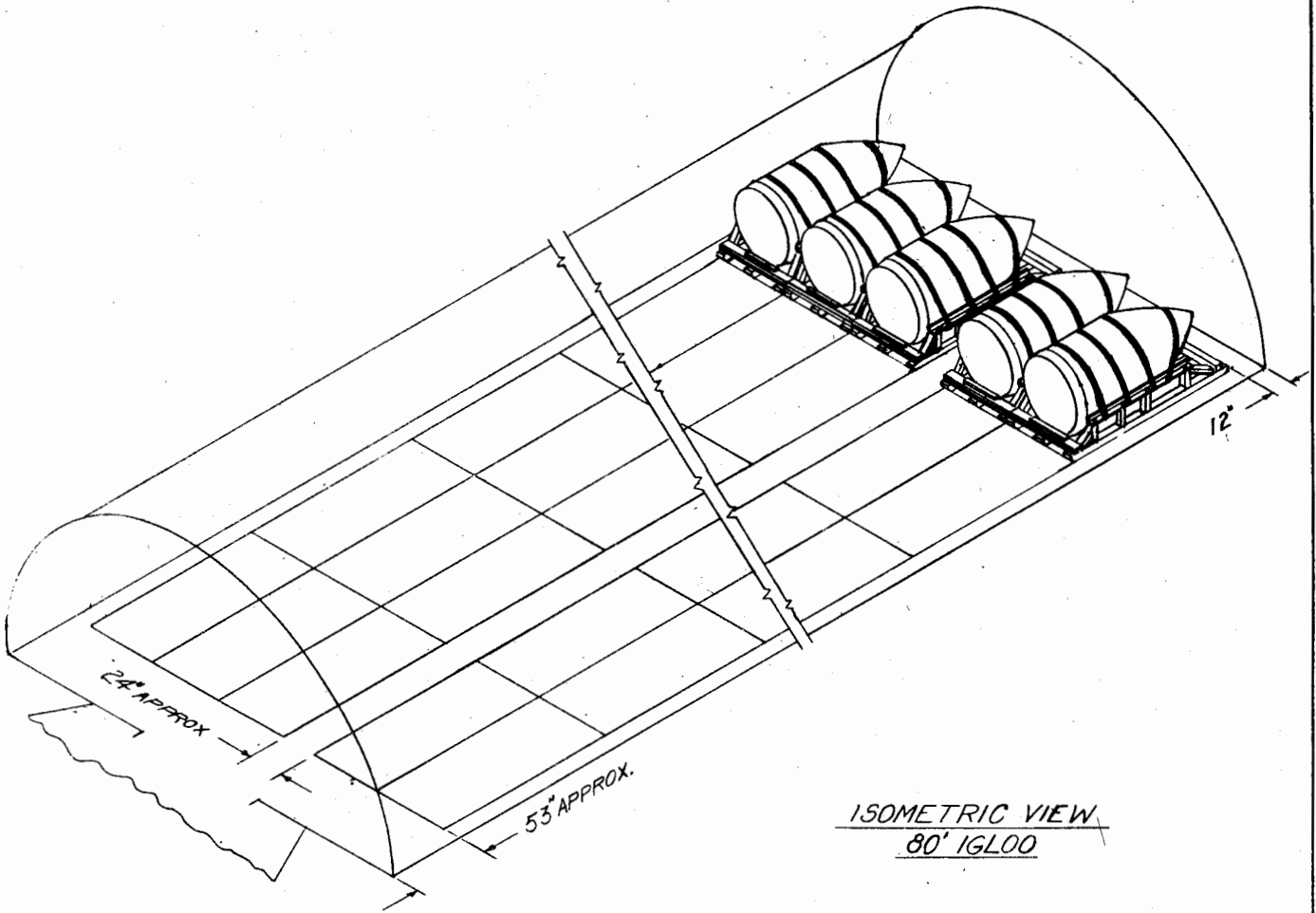


CAPACITY- 80' IGL00  
 7 STACKS @ 5 BOMBS EA.  
 TOTAL- 35 BOMBS  
 LBS. EXPLOSIVE- 287,525



ISOMETRIC VIEW  
 80' IGL00

NOTE:  
 FOR DETAILS OF BOMB SEE ORD. DWG. P-82984  
 FOR DETAILS OF PALLET SEE ORD. DWG. P.83136

STORAGE SHOWN IS FOR

BOMB, 10,000 LB. T56E4, W/PALLET  
 EXPLOSIVE PER BOMB- 8215 LBS

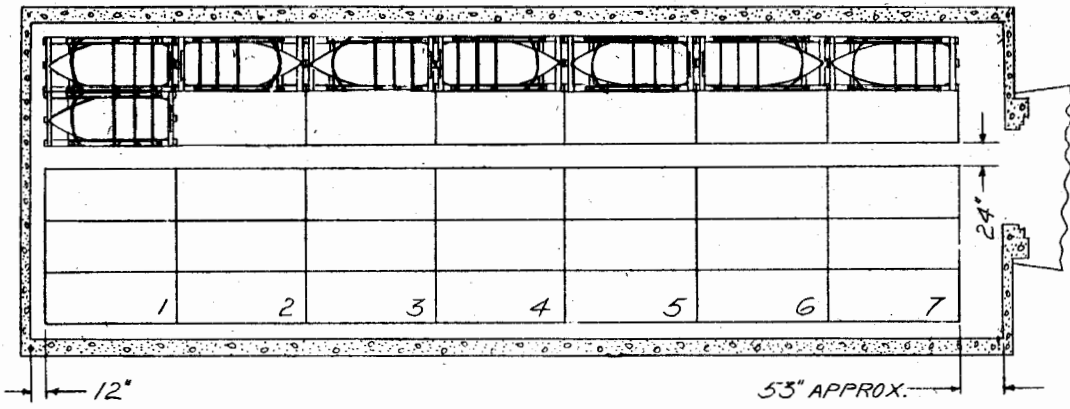
SPECIAL NOTE.  
 STORAGE AS SHOWN HEREON EXCEEDS 250,000 LB  
 EXPLOSIVE LIMIT AND WILL BE APPLIED ONLY ON  
 SPECIFIC AUTHORITY FROM OFFICE, CHIEF OF  
 ORDNANCE, FOR STORAGE IN 250,000 LB EXPLOSIVE  
 LIMIT MAGAZINES, 5 BOMBS WILL BE OMITTED.

STORAGE IN DOUBLE DOOR 80' IGL00 MAGAZINES  
 OF BOMB, 10,000 LB. T56E4, W/PALLET

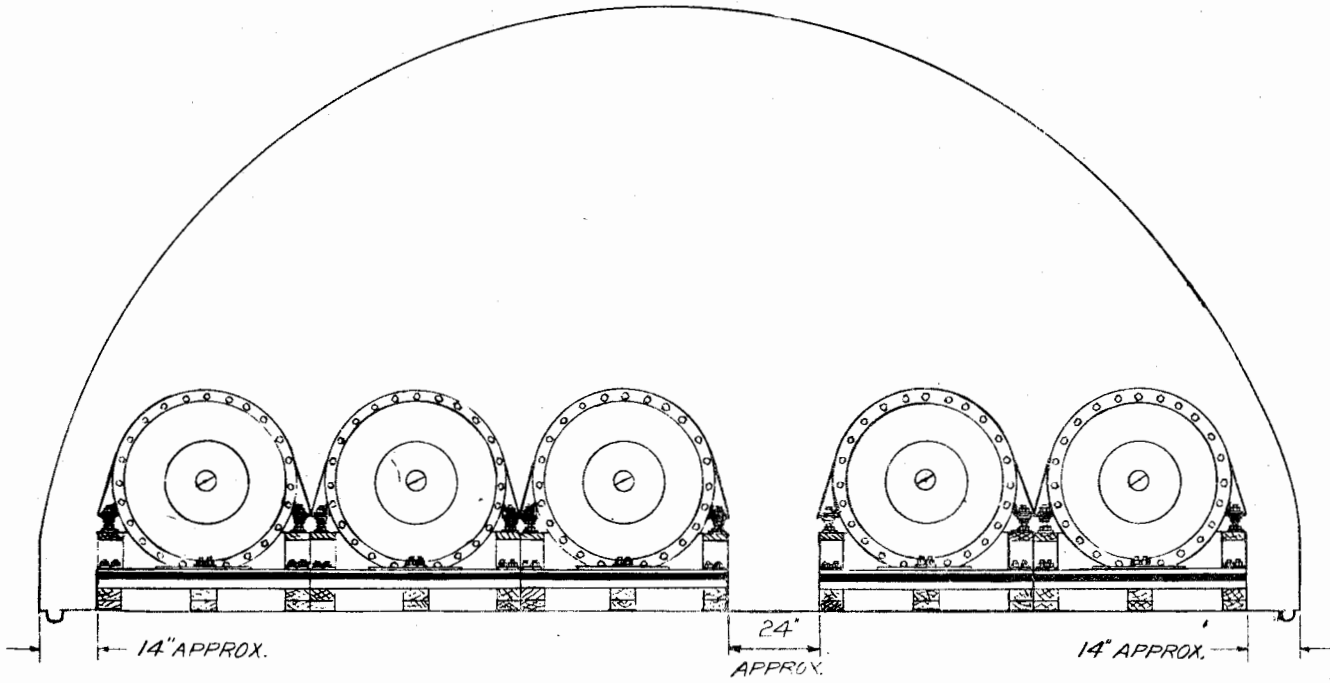
D'FMAN RAS	TRACER	ENGINEER CRJ/ABC	SUBMITTED
CHECKER JDB	CHECKER P.L. 1/2	ENGINEER	<i>John P. Frasier</i> COL. ORD. CORPS U.S.A.
REVISIONS			EXAMINED <i>John P. Frasier</i> ORD. CORPS U.S.A.
			APPROVED BY ORDER OF THE CHIEF OF ORDNANCE <i>M.W. Saker</i> COL. ORD. CORPS U.S.A.
ORDNANCE CORPS U.S.A. 25 August 1953			
CLASS	DIVISION	DRAWING	FILE
19	48	3360	1B536

DO NOT SCALE

ALTERNATE TO METHOD SHOWN ON DWG.



FLOOR PLAN-80' 16L00



STACK ELEVATION  
(5 BOMBS)