

APPENDIX 99D

UNITIZATION PROCEDURES FOR BOXED AMMUNITION AND COMPONENTS ON 4-WAY ENTRY PALLETS

SMOKE POT, M1, PACKED 3 PER WOODEN BOX,
UNITIZED 60 BOXES PER 40" X 48" PALLET;
APPROX BOX SIZE 20-3/4" L X 7-3/4" W X
10-1/2" H

NOTICE: THIS APPENDIX CANNOT STAND ALONE BUT MUST
BE USED IN CONJUNCTION WITH THE BASIC UNITIZATION
PROCEDURES DRAWING 19-48-4116-20PA1002.

| U. S. ARMY MATERIEL COMMAND DRAWING | | | |
|--|--|---------------------------------------|---|
| APPROVED, U.S. ARMY ARMAMENT, MUNITIONS AND CHEMICAL COMMAND <i>David A. Pukovic</i> SMCAR-ESK | DRAFTSMAN ENGINEER TRANSPORTATION ENGINEERING DIVISION <i>W F Ernst</i> | BETTY J. KUNDERT SANDRA M. SCHULTZ | VALIDATION ENGINEERING DIVISION <i>J. Demons</i> |
| APPROVED BY ORDER OF COMMANDING GENERAL, U.S. ARMY MATERIEL COMMAND <i>John L. Boney, P.E.</i> U.S. ARMY DEFENSE AMMUNITION CENTER AND SCHOOL | LOGISTICS ENGINEERING OFFICE <i>William F. Ernst</i> JULY 1986 | | |
| REVISION NO. 1 DECEMBER 1991 SEE THE REVISION LISTING ON PAGE 2 | CLASS 19 | DIVISION 48 | DRAWING 4116/ 99D FILE 20PA 1002 |

DO NOT SCALE

| PALLET UNIT DATA | | | | | |
|----------------------|-------|-------------------------|------------------------------|---------------|-------------------------|
| ITEMS INCLUDED | | HAZARD CLASSIFICATION ● | | | APPROX WEIGHT LBS |
| NSN | DODIC | CG CLASS | HAZARD CLASS AND DIVISION | | |
| | | | OD CLASS | COMP GROUP | |
| 1365- 00-219-8512 | K865 | II-E | 1.3 | G | 3,329 |

- HAZARD CLASSIFICATION DATA CONTAINED IN THE ABOVE CHART IS FOR GUIDANCE AND INFORMATIONAL PURPOSES ONLY. VERIFICATION OF THE SPECIFIED DATA SHOULD BE MADE BY CONSULTING THE MOST RECENT JOINT HAZARD CLASSIFICATION SYSTEM LISTING OR OTHER APPROVED LISTING(S).

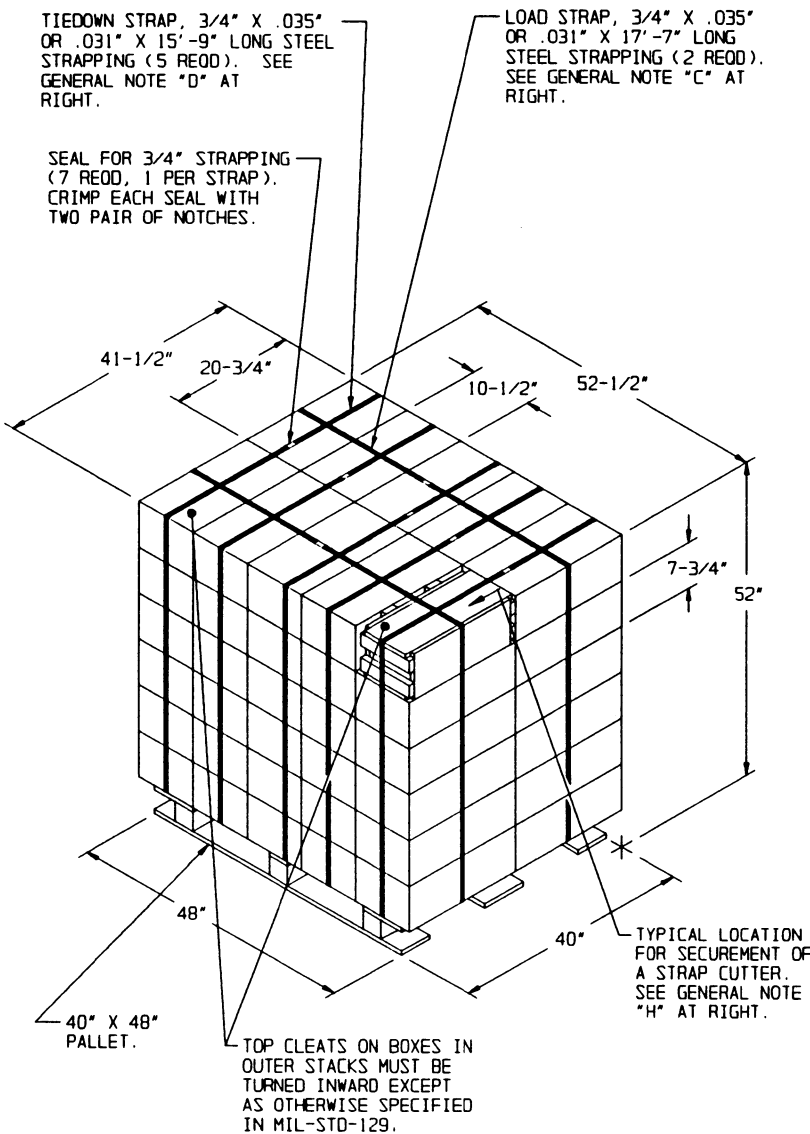
REVISION

REVISION NO. 1, DATED DECEMBER 1991,
CONSISTS OF:

1. CHANGING NUMBER OF ITEMS PER WOODEN BOX
2. ADDING GENERAL NOTE "J".

GENERAL NOTES

- A. THIS APPENDIX CANNOT STAND ALONE BUT MUST BE USED IN CONJUNCTION WITH THE BASIC UNITIZATION PROCEDURES DRAWING 19-48-4116-20PA1002. TO PRODUCE AN APPROVED UNIT LOAD, ALL PERTINENT PROCEDURES, SPECIFICATIONS AND CRITERIA SET FORTH WITHIN THE BASIC DRAWING WILL APPLY TO THE PROCEDURES DELINEATED IN THIS APPENDIX. ANY EXCEPTIONS TO THE BASIC PROCEDURES ARE SPECIFIED IN THIS APPENDIX.
- B. DIMENSIONS, CUBE AND WEIGHT OF A PALLET UNIT WILL VARY SLIGHTLY DEPENDING UPON THE ACTUAL DIMENSIONS OF THE BOXES AND THE WEIGHT OF THE SPECIFIC ITEM BEING UNITIZED.
- C. THE LOAD STRAPS MAY BE THREADED THROUGH THE STRAP SLOTS OF A PALLET OR PRE-POSITIONED ON THE PALLET DECK PRIOR TO PLACING BOXES ON THE PALLET. LOAD STRAPS MUST BE TENSIONED AND SEALED PRIOR TO APPLICATION OF TIEDOWN STRAPS.
- D. INSTALL EACH TIEDOWN STRAP TO PASS UNDER THE DECK/STRINGER BOARDS OF THE PALLET AND TO BE LOCATED AS SHOWN. TIEDOWN STRAPS WILL NOT BE APPLIED UNTIL THE LOAD STRAPS HAVE BEEN TENSIONED AND SEALED.
- E. THE FOLLOWING AMC DRAWINGS ARE APPLICABLE FOR UNLOADING AND STORAGE OF THE ITEMS COVERED BY THIS APPENDIX.
 - CARLOADING - - - - 19-48-4115-5PA1002
 - TRUCKLOADING - - - 19-48-4117-11PA1003
 - STORAGE - - - - - 19-48-4118-1-2-3-4-14-22PA1002
 - COMMERCIAL
 - CONTAINER - - - - 19-48-4153-15PA1002
 - MILVAN - - - - - 19-48-4166-15PA1003
- F. IF ITEMS COVERED HEREIN ARE UNITIZED PRIOR TO ISSUANCE OF THIS APPENDIX, THE BOXES NEED NOT BE REUNITIZED SOLELY TO CONFORM TO THIS APPENDIX.
- G. THE UNITIZATION PROCEDURES DEPICTED HEREIN MAY ALSO BE USED FOR UNITIZING SMOKE POTS WHEN IDENTIFIED BY DIFFERENT NATIONAL STOCK NUMBERS (NSN) THAN WHAT IS SHOWN ON PAGE 2, PROVIDED THE BOX PACK DOES NOT VARY FROM WHAT IS DELINEATED HEREIN. THE EXPLOSIVE CLASSIFICATION OF OTHER ITEMS MAY BE DIFFERENT THAN WHAT IS SHOWN.
- H. FOR METHOD OF SECURING A STRAP CUTTER TO THE PALLET UNIT, SEE AMC DRAWING 19-48-4127-20P1000.
- J. THE STYLE 1 PALLET DELINEATED IN THE DETAIL AT LEFT NEED NOT HAVE CHAMFERS OR STRAP SLOTS AS SPECIFIED WITHIN MILITARY SPECIFICATION MIL-P-15011 WHEN USED FOR THE UNITIZATION OF ITEMS COVERED BY THIS APPENDIX.



PALLET UNIT

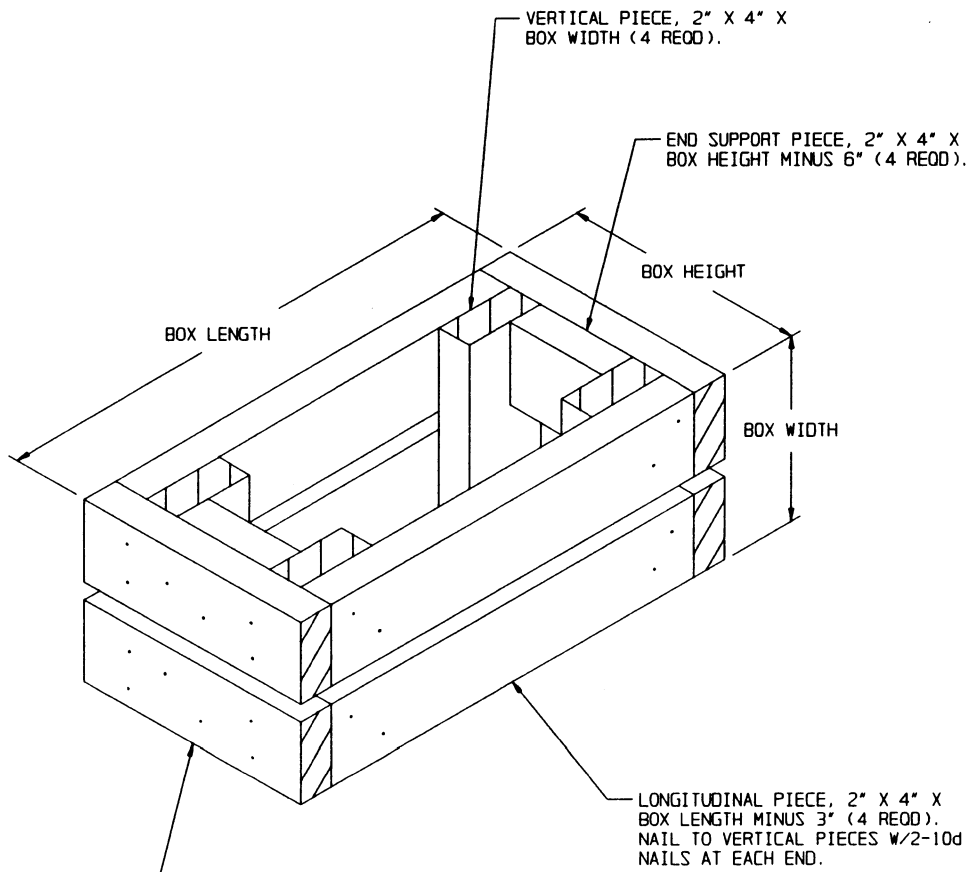
SEE GENERAL NOTE "B" AT RIGHT

| | | |
|---|-----------|--------------------|
| 60 BOXES OF SMOKE POTS (3 PER BOX) @ 54 LBS | - - - - - | 3,240 LBS (APPROX) |
| DUNNAGE | - - - - - | 9 LBS |
| PALLET | - - - - - | 80 LBS |

| | | |
|--------------|-----------|---------------------|
| TOTAL WEIGHT | - - - - - | 3,329 LBS (APPROX) |
| CUBE | - - - - - | 65.6 CU FT (APPROX) |

BILL OF MATERIAL

| | | | | |
|-------------------------|-----------|--------------|-------|----------|
| PALLET, 40" X 48" | - - - - - | 1 REED | - - - | 80 LBS |
| STEEL STRAPPING, 3/4" | - - - - - | 113.92' REED | - - - | 8.14 LBS |
| SEAL FOR 3/4" STRAPPING | - - - - - | 7 REED | - - - | NIL |



LATERAL PIECE, 2" X 4" X BOX HEIGHT (4 REQD). NAIL TO VERTICAL PIECES W/2-10d NAILS AT EACH END AND NAIL TO END SUPPORT PIECE W/2-10d NAILS.

FILLER ASSEMBLY
(FOR MINUS ONE BOX)