

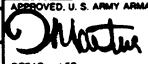
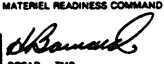

APPENDIX 96B

UNITIZATION PROCEDURES FOR BOXED AMMUNITION AND COMPONENTS ON 4-WAY ENTRY PALLETS

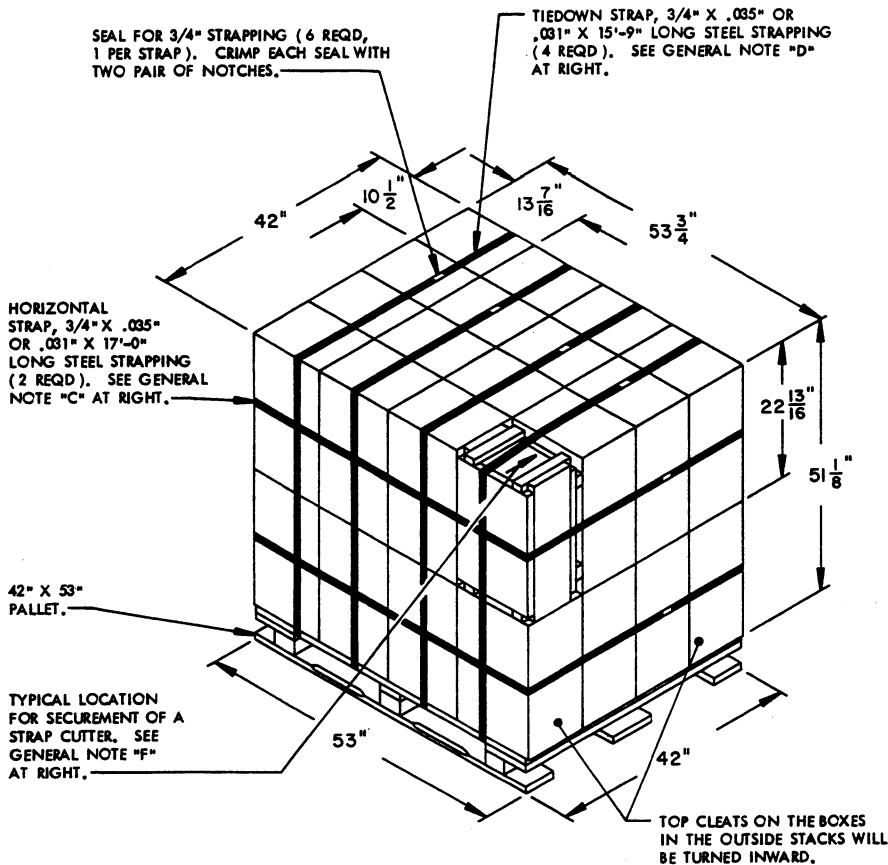
FUZE, MINE, PACKED 96 PER WOODEN BOX, UNITIZED
32 BOXES PER 42" X 53" PALLET; APPROX BOX SIZE
22 $\frac{13}{16}$ " L X 13 $\frac{7}{16}$ " W X 10 $\frac{1}{2}$ " H

PALLET UNIT DATA						
ITEMS INCLUDED		HAZARD CLASSIFICATION				WEIGHT (LBS)
NSN	DODIC	DOT CLASS	CG CLASS	QD CLASS	COMP GROUP	
1345-00-717-5770	K058	C	I	1.4	B	2,369

NOTICE: THIS APPENDIX CANNOT STAND ALONE BUT MUST BE USED IN CONJUNCTION WITH THE BASIC UNITIZATION PROCEDURES DRAWING 19-48-4116-20PA1002.

REVISIONS				DRAFTSMAN <i>B</i> / pt	PROJ ENG <i>WRE/1002</i>
				CHECKER <i>GAG</i>	LOG ENGRG OFFICE <i>W. H. Weston</i>
APPROVED, U. S. ARMY ARMAMENT MATERIEL READINESS COMMAND					
			<div style="display: flex; justify-content: space-between;"> <div style="text-align: center;">  <small>DIRECTOR</small> </div> <div style="text-align: center;">  <small>DTSAR - TMO</small> </div> </div>		
APPROVED BY ORDER OF COMMANDING GENERAL, U. S. ARMY MATERIEL DEVELOPMENT AND READINESS COMMAND (DARCOM)					
 <small>U. S. ARMY DEFENSE AMMUNITION CENTER AND SCHOOL</small>					
U. S. ARMY DARCOM DRAWING					
JULY 1982					
	CLASS	DIVISION	DRAWING	FILE	
	19	48	4116/ 96B	20PA 1002	

DO NOT SCALE



PALLET UNIT

SEE GENERAL NOTE "B" AT RIGHT.

32 BOXES OF FUZES (96 PER BOX) @ 71 LBS	2,272 LBS (APPROX)
DUNNAGE	7 LBS
PALLET	90 LBS
TOTAL WEIGHT	2,369 LBS (APPROX)
CUBE	66.8 CU FT (APPROX)

BILL OF MATERIAL	
PALLET, 42" X 53"	1 REQD ----- 90 LBS
STEEL STRAPPING, 3/4"	97.00' REQD ----- 6.93 LBS
SEAL FOR 3/4" STRAPPING	6 REQD ----- NIL

GENERAL NOTES

- A. THIS APPENDIX CANNOT STAND ALONE BUT MUST BE USED IN CONJUNCTION WITH THE BASIC UNITIZATION PROCEDURES DRAWING 19-48-4116-20PA1002. TO PRODUCE AN APPROVED UNIT LOAD, ALL PERTINENT PROCEDURES, SPECIFICATIONS AND CRITERIA SET FORTH WITHIN THE BASIC DRAWING WILL APPLY TO THE PROCEDURES DELINEATED IN THIS APPENDIX. ANY EXCEPTIONS TO THE BASIC PROCEDURES ARE SPECIFIED IN THIS APPENDIX.
- B. DIMENSIONS, CUBE AND WEIGHT OF A PALLET UNIT WILL VARY SLIGHTLY DEPENDING UPON THE ACTUAL DIMENSIONS OF THE BOXES AND THE WEIGHT OF THE SPECIFIC ITEM BEING UNITIZED.
- C. INSTALL EACH HORIZONTAL STRAP TO ENCIRCLE A LAYER OF BOXES ON THE PALLET, HORIZONTAL STRAPS MUST BE TENSIONED AND SEALED PRIOR TO APPLICATION OF TIEDOWN STRAPS.
- D. INSTALL EACH TIEDOWN STRAP TO PASS UNDER THE TOP DECK BOARDS OF THE PALLET AND TO BE LOCATED AS SHOWN, TIEDOWN STRAPS WILL NOT BE APPLIED UNTIL THE HORIZONTAL STRAPS HAVE BEEN TENSIONED AND SEALED.
- E. THE FOLLOWING DARCOM DRAWINGS ARE APPLICABLE FOR OUTLOADING AND STORAGE OF THE ITEMS COVERED BY THIS APPENDIX.
 CARLOADING ----- DRAWING 19-48-4115-5PA1002.
 TRUCKLOADING ----- DRAWING 19-48-4117-11PA1003.
 STORAGE ----- DRAWING 19-48-4118-1-2-3-4-14-22PA1002.
- F. FOR METHOD OF SECURING A STRAP CUTTER TO THE PALLET UNIT, SEE DARCOM DRAWING 19-48-4127-20P1000.
- G. IF ITEMS COVERED HEREIN ARE UNITIZED PRIOR TO ISSUANCE OF THIS APPENDIX, THE BOXES NEED NOT BE REUNITIZED SOLELY TO CONFORM TO THIS APPENDIX.
- H. THE UNITIZATION PROCEDURES DEPICTED HEREIN MAY ALSO BE USED FOR UNITIZING FUZES WHEN IDENTIFIED BY DIFFERENT NATIONAL STOCK NUMBERS (NSN) THAN WHAT IS SHOWN ON THE TITLE PAGE, PROVIDED THE BOX PACK DOES NOT VARY FROM WHAT IS DELINEATED HEREIN. THE EXPLOSIVE CLASSIFICATION OF OTHER ITEMS MAY BE DIFFERENT THAN WHAT IS SHOWN.
- J. WHEN THE UNIT LOAD DEPICTED AT LEFT IS TO BE USED FOR UNITIZING MARINE CORPS AMMUNITION, ONE LAYER OF BOXES MUST BE OMITTED, THE HORIZONTAL STRAP CORRESPONDING TO THE DELETED LAYER MUST BE OMITTED, AND TIEDOWN STRAP LENGTHS MUST BE DECREASED TO 11'-11". THIS WILL RESULT IN AN OVERALL UNIT HEIGHT OF 28'-5/16", A GROSS UNIT WEIGHT OF 1,231 POUNDS, AND A UNIT CUBE OF 37.0 CUBIC FEET.

