

# APPENDIX 95H

## UNITIZATION PROCEDURES FOR BOXED AMMUNITION AND COMPONENTS ON 4-WAY ENTRY PALLETS

MINE, ANTIPERSONNEL, PACKED 4 PER WIREBOUND  
BOX, UNITIZED 50 PER 40" X 48" PALLET; APPROX  
BOX SIZE 15  $\frac{3}{8}$ " L X 9  $\frac{13}{16}$ " W X 8  $\frac{1}{4}$ " H

PALLET UNIT DATA						
ITEMS INCLUDED		HAZARD CLASSIFICATION				WEIGHT
NSN	DODIC	DOT CLASS	CG CLASS	QD CLASS	COMP GROUP	( LBS )
1345-00-965-0742	K092	A	IV	(08)1.2	D	2,037

NOTICE: THIS APPENDIX CANNOT STAND ALONE BUT MUST BE USED IN CONJUNCTION WITH THE BASIC UNITIZATION PROCEDURES DRAWING 19-48-4116-20PA1002.

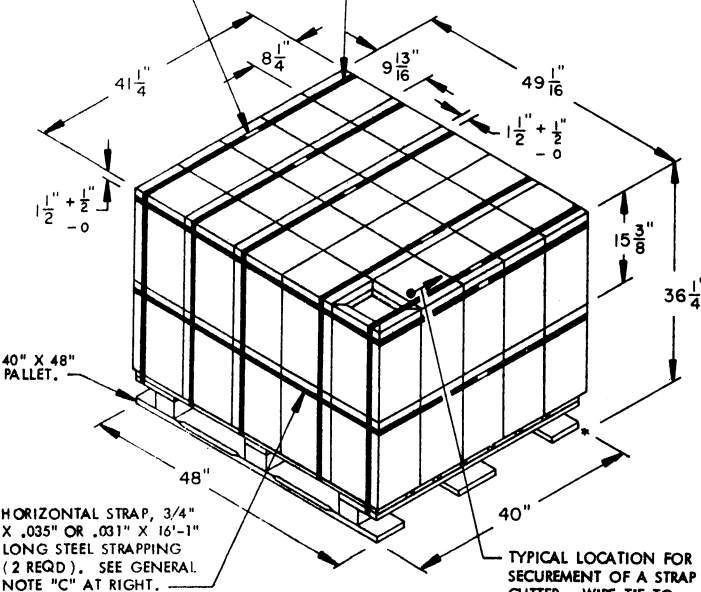
REVISIONS				DRAWN BY <i>PJB/mek</i>	PROJ ENG <i>xib77/llw</i>
				CHECKED <i>RSP</i>	LOG ENGINE OFFICER <i>John Boyd</i>
APPROVED, U. S. ARMY ARMAMENT MATERIEL READINESS COMMAND					
<i>Sam McKee</i> <i>Donald P. Feltz</i> <small>DRBAR - MAG      DRBAR - YMD</small>					
<small>APPROVED BY ORDER OF COMMANDING GENERAL, U. S. ARMY  MATERIEL DEVELOPMENT AND READINESS COMMAND (DARCOM)</small> <i>John J. Reynolds</i> <small>U. S. ARMY DEFENSE AMMUNITION CENTER AND SCHOOL</small>					
U. S. ARMY DARCOM DRAWING					
AUGUST 1979					
CLASS	DIVISION	DRAWING	FILE		
19	48	4116/ 95H	20PA 1002		

**DO NOT SCALE**

**GENERAL NOTES**

SEAL FOR 3/4" STRAPPING (7 REQD, 1 PER STRAP). CRIMP EACH SEAL WITH TWO PAIR OF NOTCHES.

TIEDOWN STRAP, 3/4" X .035" OR .031" X 13'-1" LONG STEEL STRAPPING (5 REQD). SEE GENERAL NOTE "D" AT RIGHT.



**PALLET UNIT**

SEE GENERAL NOTE "B" AT RIGHT.

50 BOXES OF ANTIPERSONNEL MINE (4 PER WIREBOUND BOX) @ 39 LBS --- 1,950 LBS (APPROX)  
 DUNNAGE ----- 7 LBS  
 PALLET ----- 80 LBS

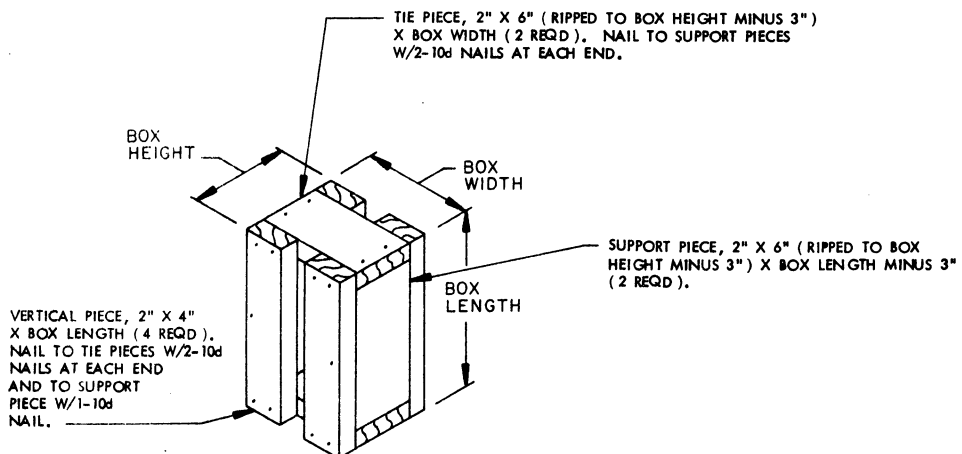
TOTAL WEIGHT ----- 2,037 LBS (APPROX)  
 CUBE ----- 42.5 CU FT (APPROX)

- A. THIS APPENDIX CANNOT STAND ALONE BUT MUST BE USED IN CONJUNCTION WITH THE BASIC UNITIZATION PROCEDURES DRAWING 19-48-4116-20PA1002. TO PRODUCE AN APPROVED UNIT LOAD, ALL PERTINENT PROCEDURES, SPECIFICATIONS AND CRITERIA SET FORTH WITHIN THE BASIC DRAWING WILL APPLY TO THE PROCEDURES DELINEATED IN THIS APPENDIX. ANY EXCEPTIONS TO THE BASIC PROCEDURES ARE SPECIFIED IN THIS APPENDIX.
- B. DIMENSIONS, CUBE AND WEIGHT OF A PALLET UNIT WILL VARY SLIGHTLY DEPENDING UPON THE ACTUAL DIMENSIONS OF THE BOXES AND THE WEIGHT OF THE SPECIFIC ITEM BEING UNITIZED.
- C. INSTALL EACH HORIZONTAL STRAP TO ENCIRCLE A LAYER OF BOXES ON THE PALLET. NOTE THAT THE STRAPS WILL BE LOCATED AS DIMENSIONED, NEAR THE TOP OF EACH LAYER. HORIZONTAL STRAPS MUST BE TENSIONED AND SEALED PRIOR TO APPLICATION OF TIEDOWN STRAPS.
- D. INSTALL EACH TIEDOWN STRAP TO PASS UNDER THE DECK/STRINGER BOARDS OF THE PALLET. NOTE THAT THE STRAPS WILL BE LOCATED AS DIMENSIONED, NEAR THE SIDE CLEATS OF THE END PANELS OF THE BOX. TIEDOWN STRAPS WILL NOT BE APPLIED UNTIL THE HORIZONTAL STRAPS HAVE BEEN TENSIONED AND SEALED.
- E. THE FOLLOWING DARCOM DRAWINGS ARE APPLICABLE FOR OUT-LOADING AND STORAGE OF THE ITEMS COVERED BY THIS APPENDIX.
 

CARLOADING -----	DRAWING 19-48-4115-5PA1002
TRUCKLOADING -----	DRAWING 19-48-4117-11PA1003
STORAGE -----	DRAWING 19-48-4118-1-2-14-22PA1002
- F. FOR METHOD OF SECURING A STRAP CUTTER TO THE PALLET UNIT, SEE DARCOM DRAWING 19-48-4127-20P1000.
- G. IF ITEMS COVERED HEREIN ARE UNITIZED PRIOR TO ISSUANCE OF THIS APPENDIX, THE BOXES NEED NOT BE REUNITIZED SOLELY TO CONFORM TO THIS APPENDIX.
- H. THE UNITIZATION PROCEDURES DEPICTED HEREIN MAY BE USED FOR UNITIZING ANTIPERSONNEL MINES WHEN IDENTIFIED BY DIFFERENT NATIONAL STOCK NUMBERS (NSN) THAN WHAT IS SHOWN ON THE TITLE PAGE, PROVIDED THE BOX PACK DOES NOT VARY FROM WHAT IS DELINEATED HEREIN. THE EXPLOSIVE CLASSIFICATION OF OTHER ITEMS MAY BE DIFFERENT THAN WHAT IS SHOWN.

**BILL OF MATERIAL**

PALLET, 40" X 48" -----	1 REQD -----	80 LBS
STEEL STRAPPING, 3/4" -----	97.58' REQD -----	6.97 LBS
SEAL FOR 3/4" STRAPPING -----	7 REQD -----	NIL



**FILLER ASSEMBLY**

(FOR MINUS ONE BOX)