

## APPENDIX 94

# UNITIZATION PROCEDURES FOR BOXED AMMUNITION AND COMPONENTS ON 4-WAY ENTRY PALLETS

ARMING PLUG, ANTITANK MINE, PACKED 144 PER  
WOODEN BOX, UNITIZED 27 BOXES PER 40" X 48"  
PALLET; APPROX BOX SIZE 15"L X 13 $\frac{3}{8}$ "W X 11 $\frac{1}{2}$ "H

PALLET UNIT DATA						
ITEMS INCLUDED		HAZARD CLASSIFICATION				WEIGHT (LBS)
NSN	DODIC	DOT CLASS	CG CLASS	QD CLASS	COMP GROUP	
1345-00- 028-5125	K273	—	—	—	—	1,944

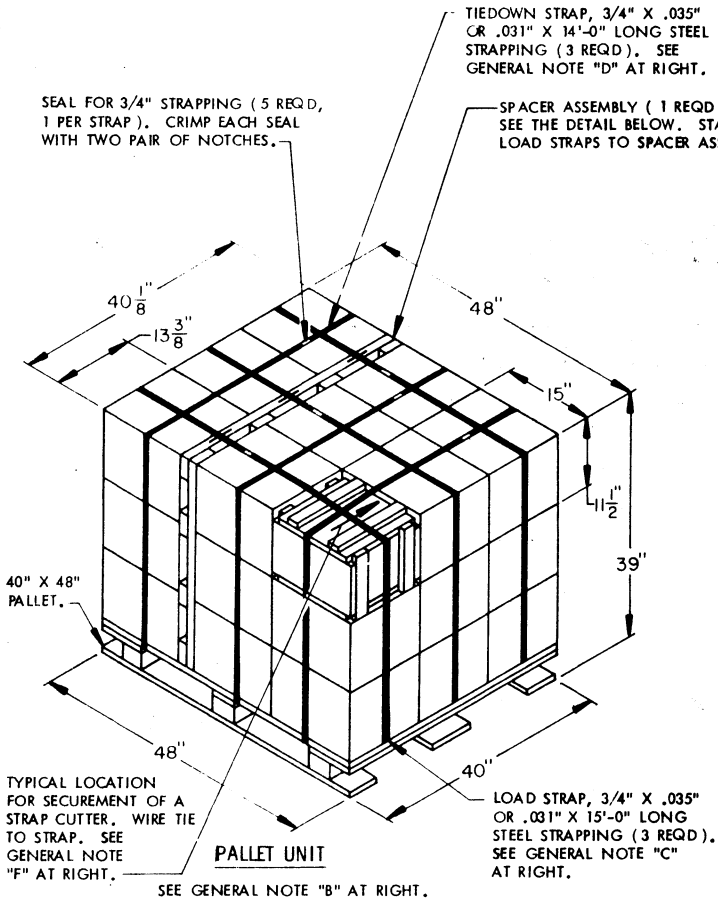
NOTICE: THIS APPENDIX CANNOT STAND ALONE BUT MUST  
BE USED IN CONJUNCTION WITH THE BASIC UNITIZATION  
PROCEDURES DRAWING 19-48-4116-20PA1002.

REVISIONS				DRAWN <i>RSH</i>	PROJ. ENG. <i>8/18/77/LSW</i>
				CHECKED <i>RSH</i>	LOG. ENGINE OFFICE <i>Jim Ford</i>
APPROVED, U. S. ARMY ARMAMENT MATERIEL READINESS COMMAND					
				<i>J. A. Jackson</i> DRBAR-MAD	<i>Darrell Fetter</i> DRBAR-TMA
APPROVED BY ORDER OF COMMANDING GENERAL, U. S. ARMY MATERIEL DEVELOPMENT AND READINESS COMMAND (DARCOM)					
<i>Al Ehinger</i> DARCOM AMMO CENTER					
U. S. ARMY DARCOM DRAWING					
OCTOBER 1977					
CLASS	DIVISION	DRAWING	FILE		
19	48	4116/94	20PA 1002		

**DO NOT SCALE**

**GENERAL NOTES**

- A. THIS APPENDIX CANNOT STAND ALONE BUT MUST BE USED IN CONJUNCTION WITH THE BASIC UNITIZATION PROCEDURES DRAWING 19-48-4116-20PA1002. TO PRODUCE AN APPROVED UNIT LOAD, ALL PERTINENT PROCEDURES, SPECIFICATIONS AND CRITERIA SET FORTH WITHIN THE BASIC DRAWING WILL APPLY TO THE PROCEDURES DELINEATED IN THIS APPENDIX. ANY EXCEPTIONS TO THE BASIC PROCEDURES ARE SPECIFIED IN THIS APPENDIX.
- B. DIMENSIONS, CUBE AND WEIGHT OF A PALLET UNIT WILL VARY SLIGHTLY DEPENDING UPON THE ACTUAL DIMENSIONS OF THE BOXES AND THE WEIGHT OF THE SPECIFIC ITEM BEING UNITIZED.
- C. THE LOAD STRAPS MAY BE THREADED THROUGH THE STRAP SLOT OF A PALLET OR PRE-POSITIONED ON THE PALLET DECK PRIOR TO PLACING BOXES ON THE PALLET.
- D. INSTALL EACH TIEDOWN STRAP TO PASS UNDER THE TOP DECK BOARDS OF THE PALLET AND TO BE LOCATED AS SHOWN. TIEDOWN STRAPS WILL BE TENSIONED AND SEALED PRIOR TO LOAD STRAPS.
- E. THE FOLLOWING DARCOM DRAWINGS ARE APPLICABLE FOR OUTLOADING AND STORAGE OF THE ITEMS COVERED BY THIS APPENDIX.
  - CARLOADING ----- DRAWING 19-48-4115-5PA1002
  - TRUCKLOADING ----- DRAWING 19-48-4117-11PA1003
  - STORAGE ----- DRAWING 19-48-4118-1-2-14-22PA1002
- F. FOR METHOD OF SECURING A STRAP CUTTER TO THE PALLET UNIT, SEE DARCOM DRAWING 19-48-4127-20P1000.
- G. IF ITEMS COVERED HEREIN ARE UNITIZED PRIOR TO ISSUANCE OF THIS APPENDIX, THE BOXES NEED NOT BE REUNITIZED SOLELY TO CONFORM TO THIS APPENDIX.
- H. THE UNITIZATION PROCEDURES DEPICTED HEREIN MAY ALSO BE USED FOR UNITIZING ARMING PLUGS WHEN IDENTIFIED BY DIFFERENT NATIONAL STOCK NUMBERS ( NSN ) THAN WHAT IS SHOWN ON THE TITLE PAGE, PROVIDED THE BOX PACK DOES NOT VARY FROM WHAT IS DELINEATED HEREIN. THE EXPLOSIVE CLASSIFICATION OF OTHER ITEMS MAY BE DIFFERENT THAN WHAT IS SHOWN.



27 BOXES OF ARMING PLUG ( 144 PER BOX ) @ 72 LBS -----	1,944 LBS ( APPROX )
DUNNAGE -----	41 LBS
PALLET -----	80 LBS
<b>TOTAL WEIGHT -----</b>	<b>2,065 LBS ( APPROX )</b>
<b>CUBE -----</b>	<b>43.3 CU FT ( APPROX )</b>

BILL OF MATERIAL		
LUMBER	LINEAR FEET	BOARD FEET
2" X 4"	25	16.6
NAILS	NO. REQD	POUNDS
10d ( 3" )	32	1/2
PALLET, 40" X 48" -----	1 REQD -----	80 LBS
STEEL STRAPPING, 3/4" -----	101 REQD -----	7 LBS
SEAL FOR 3/4" STRAPPING -----	6 REQD -----	NIL
STAPLE -----	3 REQD -----	NIL

