

APPENDIX 8B

UNITIZATION PROCEDURES FOR BOXED AMMUNITION AND COMPONENTS ON 4-WAY ENTRY PALLETS

CARTRIDGE, CALIBER .30, PACKED 480 PER WOODEN
BOX, UNITIZED 60 BOXES PER 40" X 48" PALLET;
APPROX BOX SIZE $13\frac{7}{8}$ " L X $10\frac{1}{8}$ " W X $8\frac{5}{8}$ " H

PALLET UNIT DATA						
ITEMS INCLUDED		HAZARD CLASSIFICATION				WEIGHT
NSN	DODIC	DOT CLASS	CG CLASS	QD CLASS	COMP GROUP	(LBS)
1305-00-028-6281	A220	C	I	1.4	S	2,189

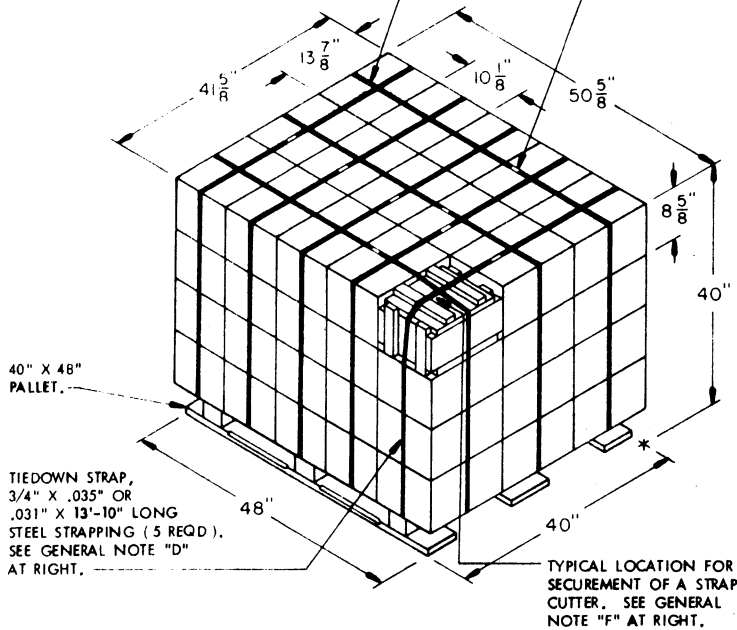
NOTICE: THIS APPENDIX CANNOT STAND ALONE BUT MUST BE USED IN CONJUNCTION WITH THE BASIC UNITIZATION PROCEDURES DRAWING 19-48-4116-20PA1002.

REVISIONS																																															
			<table border="1" style="width: 100%; border-collapse: collapse;"> <tr> <td style="font-size: small;">DRAFTSMAN <i>PB</i></td> <td style="font-size: small;">PROJ. ENG. <i>max</i></td> <td style="font-size: small;">CHKD BY <i>RST</i></td> <td style="font-size: small;">LOG. ENGRG. OFFIC. <i>[Signature]</i></td> </tr> <tr> <td colspan="4" style="font-size: x-small;">APPROVED, U. S. ARMY ARMAMENT MATERIEL READINESS COMMAND</td> </tr> <tr> <td colspan="4" style="text-align: center;"><i>[Signature]</i></td> </tr> <tr> <td colspan="4" style="font-size: x-small;">DARSAR - MAD DRRAR - TWO</td> </tr> <tr> <td colspan="4" style="font-size: x-small;">APPROVED BY ORDER OF COMMANDING GENERAL, U. S. ARMY MATERIEL DEVELOPMENT AND READINESS COMMAND (DARCOM)</td> </tr> <tr> <td colspan="4" style="text-align: center;"><i>[Signature]</i></td> </tr> <tr> <td colspan="4" style="font-size: x-small;">U. S. ARMY DEFENSE AMMUNITION CENTER AND SCHOOL</td> </tr> <tr> <td colspan="4" style="text-align: center;">U. S. ARMY DARCOM DRAWING</td> </tr> <tr> <td colspan="4" style="text-align: center;">APRIL 1980</td> </tr> <tr> <td style="font-size: x-small;">CLASS</td> <td style="font-size: x-small;">DIVISION</td> <td style="font-size: x-small;">DRAWING</td> <td style="font-size: x-small;">FILE</td> </tr> <tr> <td style="text-align: center;">19</td> <td style="text-align: center;">48</td> <td style="text-align: center;">4116/8B</td> <td style="text-align: center;">20PA 1002</td> </tr> </table>	DRAFTSMAN <i>PB</i>	PROJ. ENG. <i>max</i>	CHKD BY <i>RST</i>	LOG. ENGRG. OFFIC. <i>[Signature]</i>	APPROVED, U. S. ARMY ARMAMENT MATERIEL READINESS COMMAND				<i>[Signature]</i>				DARSAR - MAD DRRAR - TWO				APPROVED BY ORDER OF COMMANDING GENERAL, U. S. ARMY MATERIEL DEVELOPMENT AND READINESS COMMAND (DARCOM)				<i>[Signature]</i>				U. S. ARMY DEFENSE AMMUNITION CENTER AND SCHOOL				U. S. ARMY DARCOM DRAWING				APRIL 1980				CLASS	DIVISION	DRAWING	FILE	19	48	4116/8B	20PA 1002
DRAFTSMAN <i>PB</i>	PROJ. ENG. <i>max</i>	CHKD BY <i>RST</i>	LOG. ENGRG. OFFIC. <i>[Signature]</i>																																												
APPROVED, U. S. ARMY ARMAMENT MATERIEL READINESS COMMAND																																															
<i>[Signature]</i>																																															
DARSAR - MAD DRRAR - TWO																																															
APPROVED BY ORDER OF COMMANDING GENERAL, U. S. ARMY MATERIEL DEVELOPMENT AND READINESS COMMAND (DARCOM)																																															
<i>[Signature]</i>																																															
U. S. ARMY DEFENSE AMMUNITION CENTER AND SCHOOL																																															
U. S. ARMY DARCOM DRAWING																																															
APRIL 1980																																															
CLASS	DIVISION	DRAWING	FILE																																												
19	48	4116/8B	20PA 1002																																												

DO NOT SCALE

LOAD STRAP, 3/4" X .035" OR .031" X 15'-4" LONG STEEL STRAPPING (3 REQD). SEE GENERAL NOTE "C" AT RIGHT.

SEAL FOR 3/4" STRAPPING, (8 REQD, 1 PER STRAP). CRIMP EACH SEAL WITH TWO PAIR OF NOTCHES.



PALLET UNIT

SEE GENERAL NOTE "B" AT RIGHT.

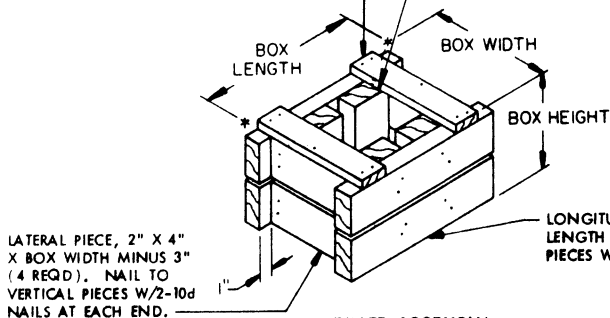
60 BOXES OF .30 CALIBER CARTRIDGE (480 PER BOX) @ 35 LBS	---	2,100 LBS (APPROX)
DUNNAGE	-----	9 LBS
PALLET	-----	80 LBS
TOTAL WEIGHT	-----	2,189 LBS (APPROX)
CUBE	-----	48.8 CU FT (APPROX)

BILL OF MATERIAL

PALLET, 40" X 48"	-----	1 REQD	-----	80 LBS
STEEL STRAPPING, 3/4"	-----	115.17' REQD	-----	8.23 LBS
SEAL FOR 3/4" STRAPPING	-----	8 REQD	-----	NIL

TIE PIECE, 1" X 4" X BOX WIDTH (2 REQD). NAIL TO LONGITUDINAL PIECES W/2-6d NAILS AT EACH END AND NAIL TO LATERAL PIECE W/1-6d NAIL.

VERTICAL PIECE, 2" X 4" X BOX HEIGHT MINUS 3/4" (4 REQD).



FILLER ASSEMBLY
(FOR MINUS ONE BOX)

GENERAL NOTES

- A. THIS APPENDIX CANNOT STAND ALONE BUT MUST BE USED IN CONJUNCTION WITH THE BASIC UNITIZATION PROCEDURES DRAWING 19-48-4116-20PA1002. TO PRODUCE AN APPROVED UNIT LOAD, ALL PERTINENT PROCEDURES, SPECIFICATIONS AND CRITERIA SET FORTH WITHIN THE BASIC DRAWING WILL APPLY TO THE PROCEDURES DELINEATED IN THIS APPENDIX. ANY EXCEPTIONS TO THE BASIC PROCEDURES ARE SPECIFIED IN THIS APPENDIX.
- B. DIMENSIONS, CUBE AND WEIGHT OF A PALLET UNIT WILL VARY SLIGHTLY DEPENDING UPON THE ACTUAL DIMENSIONS OF THE BOXES AND THE WEIGHT OF THE SPECIFIC ITEM BEING UNITIZED.
- C. THE LOAD STRAPS MAY BE THREADED THROUGH THE STRAP SLOTS OF A PALLET OR PRE-POSITIONED ON THE PALLET DECK PRIOR TO PLACING BOXES ON THE PALLET. LOAD STRAPS MUST BE TENSIONED AND SEALED PRIOR TO APPLICATION OF TIEDOWN STRAPS.
- D. INSTALL EACH TIEDOWN STRAP TO PASS UNDER THE DECK/STRINGER BOARDS OF THE PALLET AND TO BE LOCATED BETWEEN THE VERTICAL END CLEATS OF THE BOXES. TIEDOWN STRAPS WILL NOT BE APPLIED UNTIL THE LOAD STRAPS HAVE BEEN TENSIONED AND SEALED.
- E. THE FOLLOWING DARCOM DRAWINGS ARE APPLICABLE FOR OUTLOADING AND STORAGE OF THE ITEMS COVERED BY THIS APPENDIX.

CARLOADING -----	DRAWING 19-48-4115-5PA1002
TRUCKLOADING -----	DRAWING 19-48-4117-11PA1003
STORAGE -----	DRAWING 19-48-4118-1-2-14-22PA1002
- F. FOR METHOD OF SECURING A STRAP CUTTER TO THE PALLET UNIT, SEE DARCOM DRAWING 19-48-4127-20P1000.
- G. IF ITEMS COVERED HEREIN ARE UNITIZED PRIOR TO ISSUANCE OF THIS APPENDIX, THE BOXES NEED NOT BE REUNITIZED SOLELY TO CONFORM TO THIS APPENDIX.
- H. THE UNITIZATION PROCEDURES DEPICTED HEREIN MAY ALSO BE USED FOR UNITIZING .30 CALIBER CARTRIDGES WHEN IDENTIFIED BY DIFFERENT NATIONAL STOCK NUMBERS (NSN) THAN WHAT IS SHOWN ON THE TITLE PAGE, PROVIDED THE BOX PACK DOES NOT VARY FROM WHAT IS DELINEATED HEREIN. THE EXPLOSIVE CLASSIFICATION OF OTHER ITEMS MAY BE DIFFERENT THAN WHAT IS SHOWN.