

# APPENDIX 80B

## UNITIZATION PROCEDURES FOR BOXED AMMUNITION AND COMPONENTS ON 4-WAY ENTRY PALLETS

WARHEAD, 2.75 INCH ROCKET, PACKED 4 PER  
WOODEN BOX, UNITIZED 60 BOXES PER 40" X  
48" PALLET, APPROX BOX SIZE 20-3/4" L X  
8-1/4" W X 9-1/8" H

NOTICE: THIS APPENDIX CANNOT STAND ALONE BUT MUST BE USED IN CONJUNCTION WITH  
THE BASIC UNITIZATION PROCEDURES DRAWING 19-48-4116-20PA1002.

DISTRIBUTION STATEMENT A.

APPROVED FOR PUBLIC RELEASE;  
DISTRIBUTION IS UNLIMITED.

U. S. ARMY MATERIEL COMMAND DRAWING				
APPROVED, U.S. ARMY ARMAMENT, MUNITIONS AND CHEMICAL COMMAND <i>NZH</i>  <i>David D. Reinold</i> AMSTA-ARA-ESK		DRAFTSMAN ENGINEER	BETTY J. KUNDERT SANDRA M. SCHULTZ	
<i>William J Ernst</i> APPROVED BY ORDER OF COMMANDING GENERAL, U.S. ARMY MATERIEL COMMAND  U.S. ARMY DEFENSE AMMUNITION CENTER AND SCHOOL	<i>David D. Reinold</i> AMSTA-ARA-ESK	<i>J. J. Mitchell</i> SUPPLY ENGINEERING DIVISION	<i>W. J. Smith</i> TRANSPORTATION ENGINEERING DIVISION	<i>J. H. Kohn</i> VALIDATION ENGINEERING DIVISION
		LOGISTICS ENGINEERING OFFICE <i>Thomas J. Mitchell</i> NOVEMBER 1983		
REVISION NO. 2	NOVEMBER 1994	CLASS	DIVISION	DRAWING
SEE THE REVISION LISTING ON PAGE 2		19	48	4116/ 80B
				FILE 20PA 1002

DO NOT SCALE

PALLET UNIT DATA				
ITEMS INCLUDED		HAZARD CLASS AND DIVISION ●		APPROX WEIGHT LBS
NSN	DODIC	OD CLASS	COMP GROUP	
1340-				
00-725-8382	H842	1.1	D	3,630
00-725-9484	H843	1.1	D	3,630
01-226-0717	H872	1.4	G	3,630

● HAZARD CLASSIFICATION DATA CONTAINED IN THE ABOVE CHART IS FOR GUIDANCE AND INFORMATIONAL PURPOSES ONLY. VERIFICATION OF THE SPECIFIED DATA SHOULD BE MADE BY CONSULTING THE MOST RECENT JOINT HAZARD CLASSIFICATION SYSTEM LISTING OR OTHER APPROVED LISTING(S).

#### REVISION

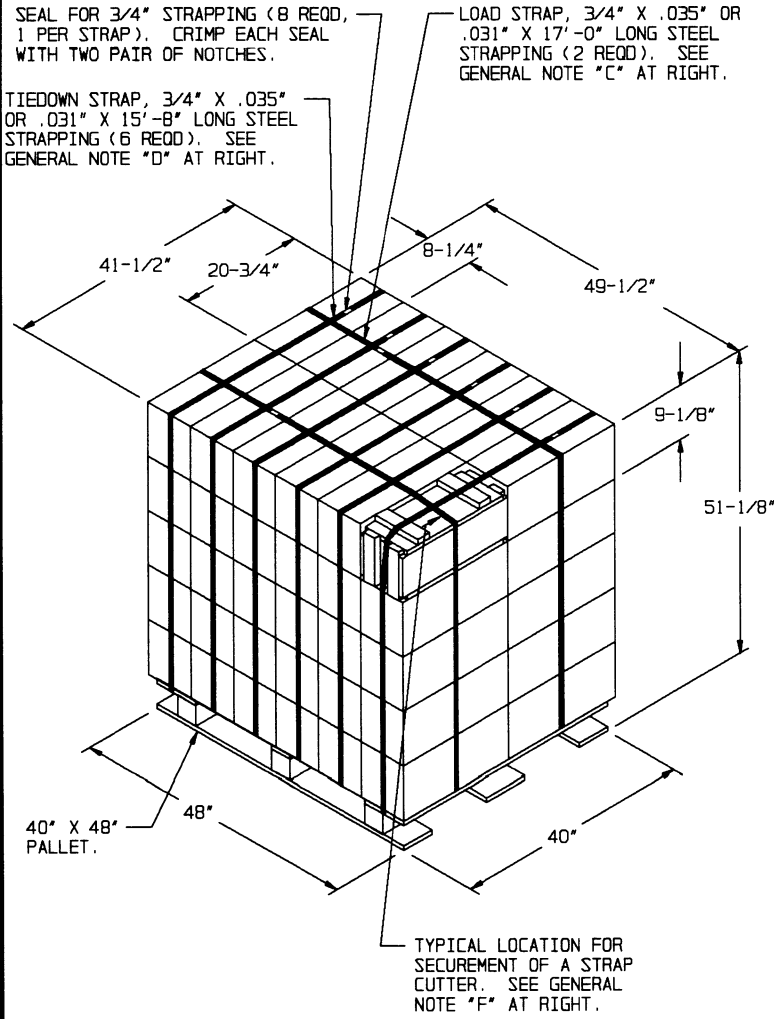
REVISION NO. 1, DATED JUNE 1985, CONSISTS OF:

1. ADDING ITEMS BY NATIONAL STOCK NUMBER (NSN) TO "PALLET UNIT DATA" CHART.

REVISION NO. 2, DATED NOVEMBER 1994, CONSISTS OF:

1. ADDING ITEM BY NATIONAL STOCK NUMBER TO "PALLET UNIT DATA" CHART.

**GENERAL NOTES**



- A. THIS APPENDIX CANNOT STAND ALONE BUT MUST BE USED IN CONJUNCTION WITH THE BASIC UNITIZATION PROCEDURES DRAWING 19-48-4116-20PA1002. TO PRODUCE AN APPROVED UNIT LOAD, ALL PERTINENT PROCEDURES, SPECIFICATIONS AND CRITERIA SET FORTH WITHIN THE BASIC DRAWING WILL APPLY TO THE PROCEDURES DELINEATED IN THIS APPENDIX. ANY EXCEPTIONS TO THE BASIC PROCEDURES ARE SPECIFIED IN THIS APPENDIX.
- B. DIMENSIONS, CUBE AND WEIGHT OF A PALLET UNIT WILL VARY SLIGHTLY DEPENDING UPON THE ACTUAL DIMENSIONS OF THE BOXES AND THE WEIGHT OF THE SPECIFIC ITEM BEING UNITIZED.
- C. THE LOAD STRAPS MAY BE THREADED THROUGH THE STRAP SLOTS OF A PALLET OR PRE-POSITIONED ON THE PALLET DECK PRIOR TO PLACING BOXES ON THE PALLET. LOAD STRAPS MUST BE TENSIONED AND SEALED PRIOR TO APPLICATION OF TIEDOWN STRAPS.
- D. INSTALL EACH TIEDOWN STRAP TO PASS UNDER THE DECK/STRINGER BOARDS OF THE PALLET AND TO BE LOCATED AS SHOWN. TIEDOWN STRAPS WILL NOT BE APPLIED UNTIL THE LOAD STRAPS HAVE BEEN TENSIONED AND SEALED.
- E. THE FOLLOWING AMC DRAWINGS ARE APPLICABLE FOR OUTLOADING AND STORAGE OF THE ITEMS COVERED BY THIS APPENDIX.
  - CARLOADING - - - - 19-48-4115-5PA1002
  - TRUCKLOADING - - - - 19-48-4117-11PA1003
  - STORAGE - - - - 19-48-4118-1-2-3-4-14-22PA1002
  - END OPENING ISO CONTAINER - - - - 19-48-4153-15PA1002
  - MILVAN - - - - 19-48-4166-15PA1003
  - SIDE OPENING ISO CONTAINER - - - - 19-48-4267-15PA1009
- F. FOR METHOD OF SECURING A STRAP CUTTER TO THE PALLET UNIT, SEE AMC DRAWING 19-48-4127-20P1000.
- G. IF ITEMS COVERED HEREIN ARE UNITIZED PRIOR TO ISSUANCE OF THIS APPENDIX, THE BOXES NEED NOT BE REUNITIZED SOLELY TO CONFORM TO THIS APPENDIX.
- H. THE UNITIZATION PROCEDURES DEPICTED HEREIN MAY ALSO BE USED FOR UNITIZING 2.75 INCH WARHEADS WHEN IDENTIFIED BY DIFFERENT NATIONAL STOCK NUMBERS (NSN) THAN WHAT IS SHOWN ON PAGE 2, PROVIDED THE BOX PACK DOES NOT VARY FROM WHAT IS DELINEATED HEREIN. THE EXPLOSIVE CLASSIFICATION OF OTHER ITEMS MAY BE DIFFERENT THAN WHAT IS SHOWN.
- J. WHEN THE UNIT LOAD DEPICTED AT LEFT IS TO BE USED FOR UNITIZING MARINE CORPS AMMUNITION, TWO LAYERS OF BOXES MUST BE OMITTED, TIEDOWN STRAP LENGTHS MUST BE DECREASED TO 12'-7", AND LOAD STRAP LENGTHS MUST BE DECREASED TO 13'-11". THIS WILL RESULT IN AN OVERALL UNIT HEIGHT OF 32'-7/8", A GROSS UNIT WEIGHT OF 2,213 POUNDS, AND A UNIT CUBE OF 39.1 CUBIC FEET. ADDITIONALLY, THE UNIT MAY BE MODIFIED AS DESCRIBED WHEN BEING SHIPPED BY MILVAN OR COMMERCIAL INTERMODAL FREIGHT CONTAINER, CONVENTIONAL VAN TRAILER OR CONVENTIONAL OR HIGH-CAPACITY BOXCAR. THE DETERMINATION TO REDUCE THE LOAD BY A LAYER FOR TRANSPORTATION WILL BE MADE BY THE RESPONSIBLE COMMAND AND WILL BE BASED UPON ECONOMICS OF TRANSPORTATION AND HANDLING.
- K. THE STYLE 1 PALLET DELINEATED IN THE DETAIL AT LEFT NEED NOT HAVE CHAMFERS OR STRAP SLOTS AS SPECIFIED WITHIN MILITARY SPECIFICATION MIL-P-15011 WHEN USED FOR THE UNITIZATION OF ITEMS COVERED BY THIS APPENDIX.

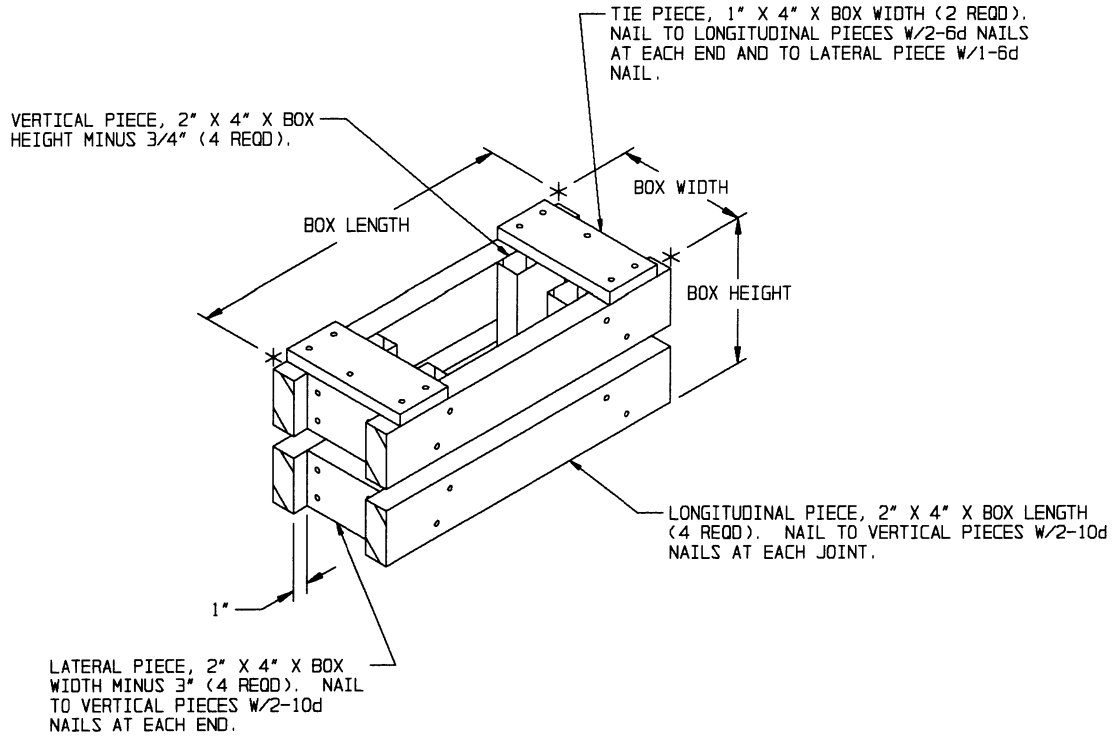
**PALLET UNIT**

SEE GENERAL NOTE "B" AT RIGHT.

60 BOXES OF 2.75 INCH WARHEADS (4 PER BOX) AT 59 LBS	--	3,540 LBS (APPROX)
DUNNAGE	-----	10 LBS
PALLET	-----	80 LBS
<hr/>		
TOTAL WEIGHT	-----	3,630 LBS (APPROX)
CUBE	-----	60.8 CU FT (APPROX)

**BILL OF MATERIAL**

PALLET, 40" X 48"	-----	1 REOD	-----	80 LBS
STEEL STRAPPING, 3/4"	-128.00'	REOD	-----	9.14 LBS
SEAL FOR 3/4" STRAPPING	-----	8 REOD	-----	NIL



**FILLER ASSEMBLY**  
 (FOR MINUS ONE BOX)