

APPENDIX 80

UNITIZATION PROCEDURES FOR BOXED AMMUNITION AND COMPONENTS ON 4-WAY ENTRY PALLETS

ROCKET, 2.75 INCH, PACKED 3 OR 4 PER
WOODEN BOX, UNITIZED 15 BOXES PER 35" X
45-1/2" PALLET; APPROX BOX SIZE 46-1/8" L
X 11-7/8" W X 9-1/4" H

NOTICE: THIS APPENDIX CANNOT STAND ALONE BUT MUST BE USED IN CONJUNCTION WITH
THE BASIC UNITIZATION PROCEDURES DRAWING 19-48-4116-20PA1002.

U.S. ARMY MATERIEL COMMAND DRAWING			
<small>APPROVED, U.S. ARMY ARMAMENT, MUNITIONS AND CHEMICAL COMMAND</small> <i>mJR</i> <i>David C. Probst David A. Hec</i> <small>SACAR-ESK</small> <small>AMSMC-THD</small>	<small>DRAFTSMAN</small>	<small>TECHNICIAN</small>	<small>ENGINEER</small>
	D. REIFSTECK		G. FECKE
	S. WILSON		<i>L. Feffer</i>
<small>APPROVED BY ORDER OF COMMANDING GENERAL, U.S. ARMY MATERIEL COMMAND</small> <i>John L. Byrd</i> <small>U.S. ARMY DEFENSE AMMUNITION CENTER AND SCHOOL</small>	<small>EVALUATION DIVISION</small>	<small>STORAGE & OUTLOADING DIVISION</small>	<small>LOGISTICS ENGINEERING OFFICE</small>
	<i>TJM</i>	<i>W. Jurek</i>	<i>W. Ernst</i>
MARCH 1983			
<small>REVISION NO. 1</small>	<small>JANUARY 1990</small>		
<small>SEE THE REVISION LISTING ON PAGE 2</small>			
<small>CLASS</small>	<small>DIVISION</small>	<small>DRAWING</small>	<small>FILE</small>
19	48	4116/ 80	20PA 1002

DO NOT SCALE

PALLET UNIT DATA						
ITEMS INCLUDED		HAZARD CLASSIFICATION ●				WEIGHT (LBS)
NSN	DODIC	DOT CLASS	CG CLASS	QD CLASS	COMP GROUP	
1340- 01-026-1730	H180	A	IV	(08)1.2	G	1.827
00-782-5852	H490	A	IV	1.1	E	2.187
00-926-1945	H490	A	IV	1.1	E	2.187
00-935-9252	H490	A	IV	1.1	E	2.187
00-935-9257	H490	A	IV	1.1	E	2.187

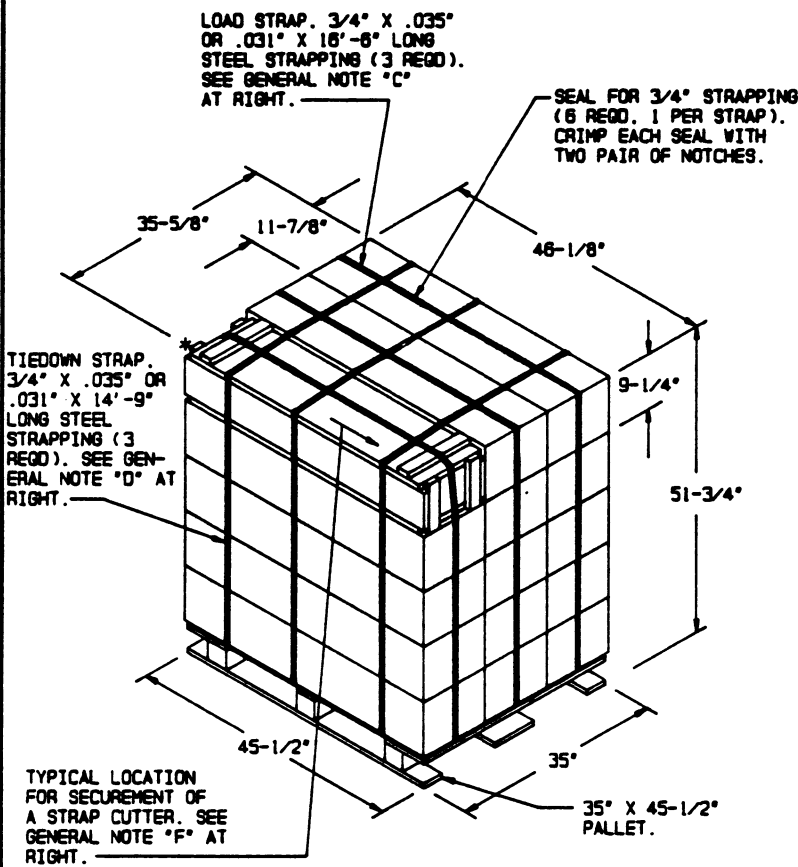
- HAZARD CLASSIFICATION DATA CONTAINED IN THE ABOVE CHART IS FOR GUIDANCE AND INFORMATIONAL PURPOSES ONLY. VERIFICATION OF THE SPECIFIED DATA SHOULD BE MADE BY CONSULTING THE MOST RECENT JOINT HAZARD CLASSIFICATION SYSTEM LISTING OR OTHER APPROVED LISTING(S).

REVISION

REVISION NO. 1, DATED JANUARY 1990, CONSISTS OF :

DELETING ITEMS BY NATIONAL STOCK NUMBER
FROM "PALLET UNIT DATA" CHART.

GENERAL NOTES



PALLET UNIT

SEE GENERAL NOTE 'B' AT RIGHT.

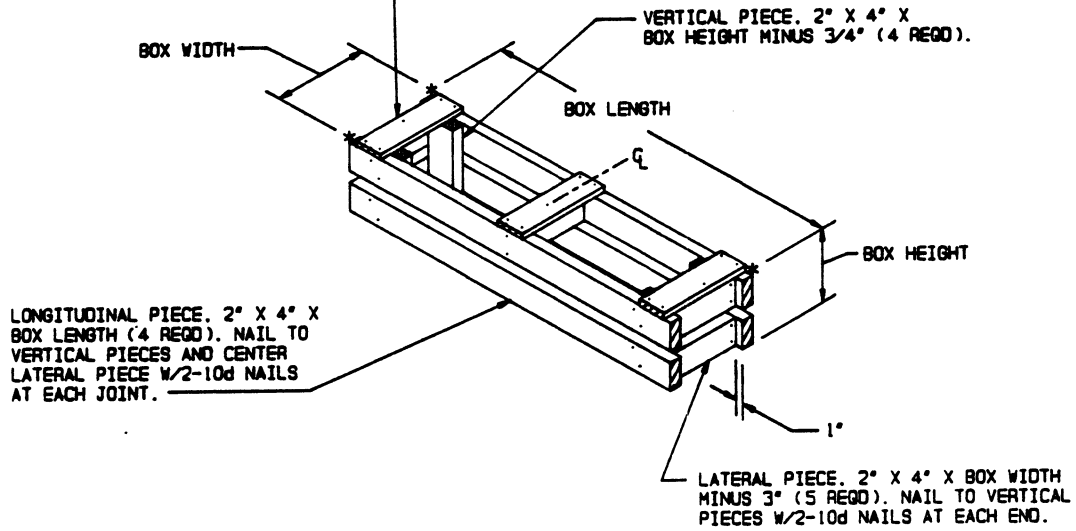
15 BOXES OF ROCKETS AT 141 LBS	-----	2,115 LBS (APPROX)
DUNNAGE	-----	7 LBS
PALLET	-----	65 LBS
<hr/>		
TOTAL WEIGHT	-----	2,187 LBS (APPROX)
CUBE	-----	49.2 CUBIC FEET (APPROX)

BILL OF MATERIAL

PALLET, 35" X 45-1/2"	-----	1 REGD	-----	65 LBS
STEEL STRAPPING, 3/4"	-----	93.75' REGD	-----	6.70 LBS
SEAL FOR 3/4" STRAPPING	-----	6 REGD	-----	NIL

- A. THIS APPENDIX CANNOT STAND ALONE BUT MUST BE USED IN CONJUNCTION WITH THE BASIC UNITIZATION PROCEDURES DRAWING 19-48-4116-20PA1002. TO PRODUCE AN APPROVED UNIT LOAD, ALL PERTINENT PROCEDURES, SPECIFICATIONS AND CRITERIA SET FORTH WITHIN THE BASIC DRAWING WILL APPLY TO THE PROCEDURES DELINEATED IN THIS APPENDIX. ANY EXCEPTIONS TO THE BASIC PROCEDURES ARE SPECIFIED IN THIS APPENDIX.
- B. DIMENSIONS, CUBE AND WEIGHT OF A PALLET UNIT WILL VARY SLIGHTLY DEPENDING UPON THE ACTUAL DIMENSIONS OF THE BOXES AND THE WEIGHT OF THE SPECIFIC ITEM BEING UNITIZED.
- C. THE LOAD STRAPS MAY BE THREADED THROUGH THE STRAP SLOTS OF A PALLET OR PRE-POSITIONED ON THE PALLET DECK PRIOR TO PLACING BOXES ON THE PALLET.
- D. INSTALL EACH TIEDOWN STRAP TO PASS UNDER THE TOP DECK BOARDS OF THE PALLET AND TO BE LOCATED AS SHOWN. TIEDOWN STRAPS WILL BE TENSIONED AND SEALED PRIOR TO THE LOAD STRAPS.
- E. THE FOLLOWING AMC DRAWINGS ARE APPLICABLE FOR OUTLOADING AND STORAGE OF THE ITEMS COVERED BY THIS APPENDIX.
 - CARLOADING - - - 19-48-4115-SPA1002
 - TRUCKLOADING - - 19-48-4117-11PA1003
 - STORAGE - - - - 19-48-4118-1-2-3-4-14-22PA1002
 - COMMERCIAL CONTAINER - - - 19-48-4153-15PA1002
 - MILVAN - - - - - 19-48-4166-15PA1003
- F. FOR METHOD OF SECURING A STRAP CUTTER TO THE PALLET UNIT, SEE (AMC) DRAWING 19-48-4127-20P1000.
- G. IF ITEMS COVERED HEREIN ARE UNITIZED PRIOR TO ISSUANCE OF THIS APPENDIX, THE BOXES NEED NOT BE REUNITIZED SOLELY TO CONFORM TO THIS APPENDIX.
- H. THE UNITIZATION PROCEDURES DEPICTED HEREIN MAY ALSO BE USED FOR UNITIZING ROCKETS WHEN IDENTIFIED BY DIFFERENT NATIONAL STOCK NUMBERS (NSN) THAN WHAT IS SPECIFIED ON PAGE 2, PROVIDED THE BOX PACK DOES NOT VARY FROM WHAT IS DELINEATED HEREIN. THE EXPLOSIVE CLASSIFICATION OF OTHER ITEMS MAY BE DIFFERENT THAT WHAT IS SHOWN.
- J. WHEN THE UNIT LOAD DEPICTED AT LEFT IS TO BE USED FOR UNITIZING MARINE CORPS AMMUNITION, ONE LAYER OF BOXES MUST BE OMITTED, TIEDOWN STRAP LENGTHS MUST BE DECREASED TO 13'-3", AND LOAD STRAP LENGTHS MUST BE DECREASED TO 15'-0". THIS WILL RESULT IN AN OVERALL UNIT HEIGHT OF 42-1/2", A GROSS UNIT WEIGHT OF 1,764 POUNDS, AND A UNIT CUBE OF 40.4 CUBIC FEET. ADDITIONALLY, THE UNIT MAY BE MODIFIED AS DESCRIBED WHEN BEING SHIPPED BY MILVAN OR COMMERCIAL INTERMODAL FREIGHT CONTAINER. THE DETERMINATION TO REDUCE THE LOAD BY A LAYER FOR TRANSPORTATION WILL BE MADE BY THE RESPONSIBLE COMMAND AND WILL BE BASED UPON ECONOMICS OF TRANSPORTATION AND HANDLING.
- K. THE STYLE 1A PALLET DELINEATED IN THE DETAIL AT LEFT NEED NOT HAVE CHAMFERS OR STRAP SLOTS AS SPECIFIED WITHIN MILITARY SPECIFICATION MIL-P-15011 WHEN USED FOR THE UNITIZATION OF ITEMS COVERED BY THIS APPENDIX.

TIE PIECE. 1" X 4" X BOX WIDTH
(3 REQD). NAIL TO LONGITUDINAL
PIECES W/2-6d NAILS AT EACH
END AND TO LATERAL PIECE
W/1-6d NAIL.



FILLER ASSEMBLY

(FOR MINUS ONE BOX)