

APPENDIX 69

UNITIZATION PROCEDURES FOR BOXED AMMUNITION AND COMPONENTS ON 4-WAY ENTRY PALLETS

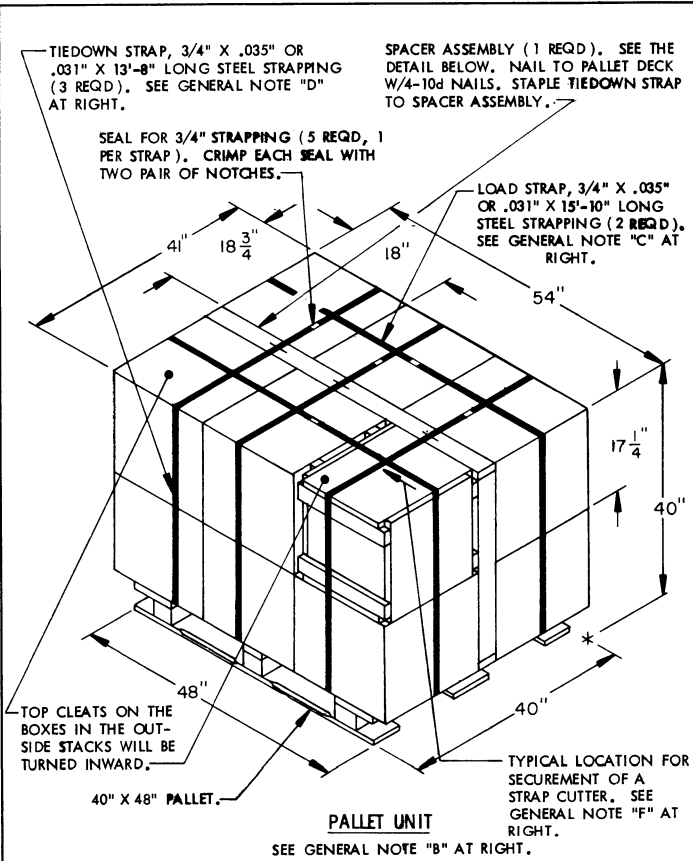
CHARGE, PRACTICE HAND GRENADE, PACKED 6,000
PER WOODEN BOX, UNITIZED 12 BOXES PER 40"
X 48" PALLET; APPROX BOX SIZE 18 $\frac{3}{4}$ " L X 17 $\frac{1}{4}$ " W
X 18" H

PALLET UNIT DATA						
ITEMS INCLUDED		HAZARD CLASSIFICATION				WEIGHT
NSN	DODIC	DOT CLASS	CG CLASS	QD CLASS	COMP GROUP	(LBS)
1330-00-585-9362	G850	A	IX-A	1.1	D	820

NOTICE: THIS APPENDIX CANNOT STAND ALONE BUT MUST BE USED IN CONJUNCTION WITH THE BASIC UNITIZATION PROCEDURES DRAWING 19-48-4116-20PA1002.

REVISIONS				DRAFTSMAN G.M.N. / hsk	PROJ ENG GBF / rww
				CHECKER RSN / 907	LOG ENGRG OFFICE [Signature]
APPROVED, U. S. ARMY ARMAMENT MATERIEL READINESS COMMAND					
[Signatures: Howard S. Chubbler, Daniel C. Feltus]					
APPROVED BY ORDER OF COMMANDING GENERAL, U. S. ARMY MATERIEL DEVELOPMENT AND READINESS COMMAND (DARCOM)					
[Signature: John T. Reynolds]					
U. S. ARMY DEFENSE AMMUNITION CENTER AND SCHOOL					
U. S. ARMY DARCOM DRAWING					
NOVEMBER 1980					
CLASS	DIVISION	DRAWING	FILE		
19	48	4116/69	20PA 1002		

DO NOT SCALE



GENERAL NOTES

- A. THIS APPENDIX CANNOT STAND ALONE BUT MUST BE USED IN CONJUNCTION WITH THE BASIC UNITIZATION PROCEDURES DRAWING 19-48-4116-20PA1002. TO PRODUCE AN APPROVED UNIT LOAD, ALL PERTINENT PROCEDURES, SPECIFICATIONS AND CRITERIA SET FORTH WITHIN THE BASIC DRAWING WILL APPLY TO THE PROCEDURES DELINEATED IN THIS APPENDIX. ANY EXCEPTIONS TO THE BASIC PROCEDURES ARE SPECIFIED IN THIS APPENDIX.
- B. DIMENSIONS, CUBE AND WEIGHT OF A PALLET UNIT WILL VARY SLIGHTLY DEPENDING UPON THE ACTUAL DIMENSIONS OF THE BOXES AND THE WEIGHT OF THE SPECIFIC ITEM BEING UNITIZED.
- C. THE LOAD STRAPS MAY BE THREADED THROUGH THE STRAP SLOTS OF A PALLET OR PRE-POSITIONED ON THE PALLET DECK PRIOR TO PLACING BOXES ON THE PALLET. LOAD STRAPS MUST BE TENSIONED AND SEALED PRIOR TO APPLICATION OF TIEDOWN STRAPS.
- D. INSTALL EACH TIEDOWN STRAP TO PASS UNDER THE TOP DECK BOARDS OF THE PALLET AND TO BE LOCATED AS SHOWN. TIEDOWN STRAPS WILL NOT BE APPLIED UNTIL THE LOAD STRAPS HAVE BEEN TENSIONED AND SEALED.
- E. THE FOLLOWING DARCOM DRAWINGS ARE APPLICABLE FOR OUTLOADING AND STORAGE OF THE ITEMS COVERED BY THIS APPENDIX.

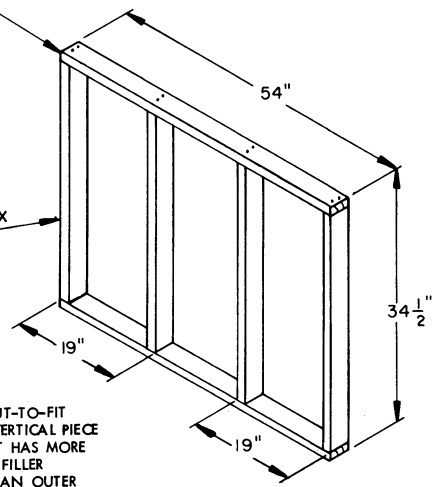
CARLOADING -----	DRAWING 19-48-4115-SPA1002
TRUCKLOADING -----	DRAWING 19-48-4117-11PA1003
STORAGE -----	DRAWING 19-48-4118-1-2-14-22PA1002
- F. FOR METHOD OF SECURING A STRAP CUTTER TO THE PALLET UNIT, SEE DARCOM DRAWING 19-48-4127-20P1000.
- G. IF ITEMS COVERED HEREIN ARE UNITIZED PRIOR TO ISSUANCE OF THIS APPENDIX, THE BOXES NEED NOT BE REUNITIZED SOLELY TO CONFORM TO THIS APPENDIX.
- H. THE UNITIZATION PROCEDURES DEPICTED HEREIN MAY ALSO BE USED FOR UNITIZING CHARGES WHEN IDENTIFIED BY DIFFERENT NATIONAL STOCK NUMBERS (NSN) THAN WHAT IS SHOWN ON THE TITLE PAGE, PROVIDED THE BOX PACK DOES NOT VARY FROM WHAT IS DELINEATED HEREIN. THE EXPLOSIVE CLASSIFICATION OF OTHER ITEMS MAY BE DIFFERENT THAN WHAT IS SHOWN.

12 BOXES OF CHARGES (6,000 PER BOX) @ 59 LBS	---	708 LBS (APPROX)
DUNNAGE	-----	32 LBS
PALLET	-----	80 LBS
TOTAL WEIGHT	-----	820 LBS (APPROX)
CUBE	-----	51.3 CU FT (APPROX)

BILL OF MATERIAL		
LUMBER	LINEAR FEET	BOARD FEET
2" X 4"	19.50	13.00
NAILS	NO. REQD	POUNDS
10d (3")	20	0.31
PALLET, 40" X 48"	1 REQD	80 LBS
STEEL STRAPPING, 3/4"	72.67 REQD	5.19 LBS
SEAL FOR 3/4" STRAPPING	5 REQD	NIL
STAPLE	3 REQD	NIL

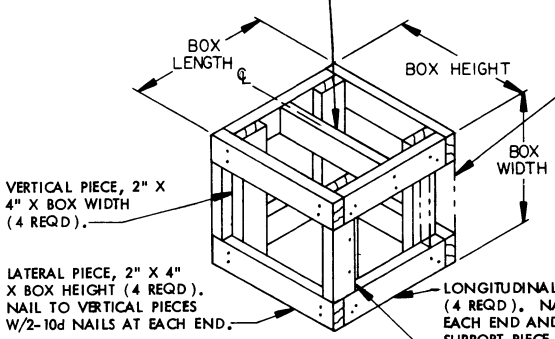
HORIZONTAL PIECE, 2" X 4" X 54" (2 REQD). NAIL TO VERTICAL PIECES W/2-10d NAILS AT EACH LOCATION.

VERTICAL PIECE, 2" X 4" X 31-1/2" (4 REQD).



SPACER ASSEMBLY
(1 REQD).

SUPPORT PIECE, 2" X 4" X BOX HEIGHT MINUS 3" (1 REQD).



VERTICAL PIECE, 2" X 4" X BOX WIDTH (4 REQD).

LATERAL PIECE, 2" X 4" X BOX HEIGHT (4 REQD). NAIL TO VERTICAL PIECES W/2-10d NAILS AT EACH END.

VERTICAL SUPPORT PIECE, 2" X 4" X CUT-TO-FIT IN LENGTH (AS REQD). NAIL TO A VERTICAL PIECE W/2-10d NAILS. NOTE: WHEN A UNIT HAS MORE THAN FOUR (4) BOXES OMITTED, THE FILLER ASSEMBLY OR ASSEMBLIES LOCATED IN AN OUTER STACK ON THE 40" SIDE OF THE PALLET WILL REQUIRE A "VERTICAL SUPPORT PIECE" AS SHOWN.

LONGITUDINAL PIECE, 2" X 4" X BOX LENGTH MINUS 3" (4 REQD). NAIL TO VERTICAL PIECES W/3-10d NAILS AT EACH END AND NAIL TOP LONGITUDINAL PIECES TO SUPPORT PIECE W/2-10d NAILS.

VERTICAL SUPPORT PIECE, 2" X 4" X CUT-TO-FIT IN LENGTH (2 REQD). NAIL TO A VERTICAL PIECE W/2-10d NAILS.

FILLER ASSEMBLY
(FOR MINUS ONE BOX)