

# APPENDIX 66C

## UNITIZATION PROCEDURES FOR BOXED AMMUNITION AND COMPONENTS ON 4-WAY ENTRY PALLETS

LAUNCHER, GRENADE, SMOKE, RIGHT HAND OR LEFT  
HAND, M250, PACKED ONE PER PLYWOOD BOX,  
UNITIZED 6 BOXES PER 35" X 45½" PALLET; APPROX  
BOX SIZE 31½" L X 18⅜" W X 16⅛" H

PALLET UNIT DATA						
ITEMS INCLUDED		HAZARD CLASSIFICATION				WEIGHT (LBS)
NSN	DODIC	DOT CLASS	CG CLASS	QD CLASS	COMP GROUP	
1055- 00-000-0138			INERT			760

### REVISION

REVISION NO. 1, DATED DECEMBER 1986, CONSISTS OF:

CHANGING ITEM FEDERAL SUPPLY CLASS IN "PALLET UNIT DATA"  
CHART.

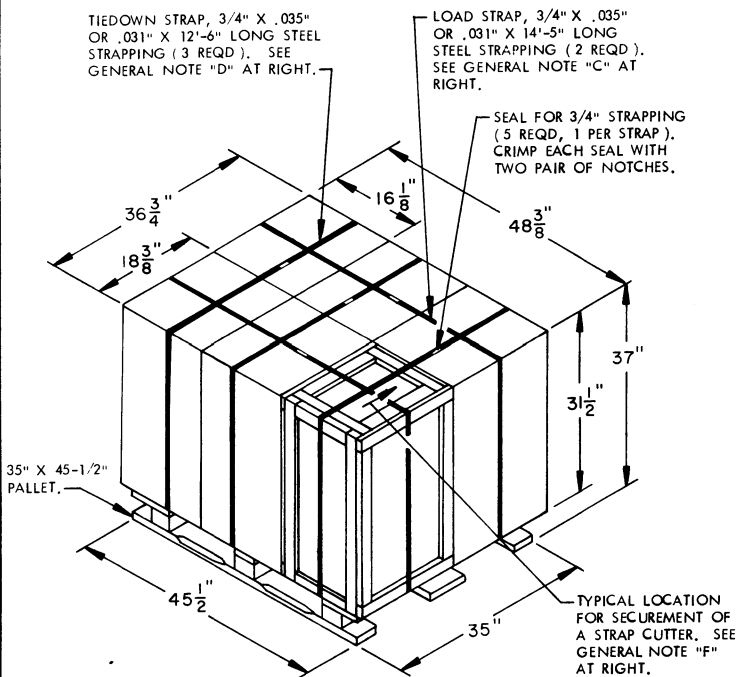
NOTICE: THIS APPENDIX CANNOT STAND ALONE BUT MUST BE  
USED IN CONJUNCTION WITH THE BASIC UNITIZATION PROCEDURES  
DRAWING 19-48-4116-20PA1002.

**DO NOT SCALE**

REVISIONS		DRAFTSMAN	PROJ ENG	DATE
1	DEC 86	<i>WIRE</i> SBCAR - ESK	<i>DS</i> LOG ENGR OFFICE	<i>12/1/86</i>
		<small>APPROVED, U.S. ARMY ARMAMENT, MUNITIONS AND CHEMICAL COMMAND</small> <i>William F Ernst</i>		
		<small>APPROVED BY ORDER OF COMMANDING GENERAL, U.S. ARMY MATERIEL COMMAND (AMC)</small> <i>John L. Ziegler</i>		
<b>U.S. ARMY AMC DRAWING</b> <b>JANUARY 1985</b>				
		CLASS	DIVISION	DRAWING
		19	48	4116/ 66C
				20PA 1002

**GENERAL NOTES**

- A. THIS APPENDIX CANNOT STAND ALONE BUT MUST BE USED IN CONJUNCTION WITH THE BASIC UNITIZATION PROCEDURES DRAWING 19-48-4116-20PA1002. TO PRODUCE AN APPROVED UNIT LOAD, ALL PERTINENT PROCEDURES, SPECIFICATIONS AND CRITERIA SET FORTH WITHIN THE BASIC DRAWING WILL APPLY TO THE PROCEDURES DELINEATED IN THIS APPENDIX. ANY EXCEPTIONS TO THE BASIC PROCEDURES ARE SPECIFIED IN THIS APPENDIX.
- B. DIMENSIONS, CUBE AND WEIGHT OF A PALLET UNIT WILL VARY SLIGHTLY DEPENDING UPON THE ACTUAL DIMENSIONS OF THE BOXES AND THE WEIGHT OF THE SPECIFIC ITEM BEING UNITIZED.
- C. THE LOAD STRAPS MAY BE THREADED THROUGH THE STRAP SLOTS OF A PALLET OR PREPOSITIONED ON THE PALLET DECK PRIOR TO PLACING BOXES ON THE PALLET. LOAD STRAPS MUST BE TENSIONED AND SEALED PRIOR TO APPLICATION OF TIEDOWN STRAPS.
- D. INSTALL EACH TIEDOWN STRAP TO PASS UNDER THE TOP DECK BOARDS OF THE PALLET. TIEDOWN STRAPS WILL NOT BE APPLIED UNTIL THE LOAD STRAPS HAVE BEEN TENSIONED AND SEALED.
- E. THE FOLLOWING AMC (DARCOM) DRAWINGS ARE APPLICABLE FOR OUTLOADING AND STORAGE OF THE ITEMS COVERED BY THIS APPENDIX.  
 CARLOADING ----- DRAWING 19-48-4115-5PA1002.  
 TRUCKLOADING ----- DRAWING 19-48-4117-11PA1003.  
 STORAGE ----- DRAWING 19-48-4118-1-2-3-4-14-22PA1002.
- F. FOR METHOD OF SECURING A STRAP CUTTER TO THE PALLET UNIT, SEE DARCOM DRAWING 19-48-4127-20P1000.
- G. IF ITEMS COVERED HEREIN ARE UNITIZED PRIOR TO ISSUANCE OF THIS APPENDIX, THE BOXES NEED NOT BE REUNITIZED SOLELY TO CONFORM TO THIS APPENDIX.
- H. THE UNITIZATION PROCEDURES DEPICTED HEREIN MAY ALSO BE USED FOR UNITIZING GRENADE LAUNCHERS WHEN IDENTIFIED BY DIFFERENT NATIONAL STOCK NUMBERS (NSN) THAN WHAT IS SHOWN ON THE TITLE PAGE, PROVIDED THE BOX PACK DOES NOT VARY FROM WHAT IS DELINEATED HEREIN. THE EXPLOSIVE CLASSIFICATION OF OTHER ITEMS MAY BE DIFFERENT THAN WHAT IS SHOWN.
- J. THE STYLE 1A PALLET DELINEATED IN THE DETAIL AT LEFT NEED NOT HAVE CHAMFERS OR STRAP SLOTS AS SPECIFIED IN MILITARY SPECIFICATION MIL-P-15011 WHEN USED FOR THE UNITIZATION OF THE ITEMS COVERED BY THIS APPENDIX.



**PALLET UNIT**  
SEE GENERAL NOTE "B" AT RIGHT.

6 BOXES OF GRENADE LAUNCHERS ( 1 PER BOX ) @ 115 LBS -----	690 LBS ( APPROX )
DUNNAGE -----	5 LBS
PALLET -----	65 LBS
<b>TOTAL WEIGHT -----</b>	<b>760 LBS ( APPROX )</b>
<b>CUBE -----</b>	<b>38.1 CU FT ( APPROX )</b>

**BILL OF MATERIAL**

PALLET, 35" X 45-1/2" -----	1 REQD -----	65 LBS
STEEL STRAPPING, 3/4" -----	66.33' REQD -----	4.74 LBS
SEAL FOR 3/4" STRAPPING -----	5 REQD -----	NIL

