

## APPENDIX 66A

# UNITIZATION PROCEDURES FOR BOXED AMMUNITION AND COMPONENTS ON 4-WAY ENTRY PALLETS

LAUNCHER, GRENADE, SMOKE, M257, PACKED ONE  
PER PLYWOOD BOX, UNITIZED 24 BOXES PER  
42" X 53" PALLET; APPROX BOX SIZE 15 $\frac{1}{4}$ " L X  
14 $\frac{1}{2}$ " W X 13 $\frac{3}{4}$ " H

PALLET UNIT DATA						
ITEMS INCLUDED		HAZARD CLASSIFICATION				WEIGHT
NSN	DODIC	DOT CLASS	CG CLASS	QD CLASS	COMP GROUP	(LBS)
1055-01-070-1213	—	—	INERT	—	—	817

### REVISION

REVISION NO. 1, DATED DECEMBER 1986, CONSISTS OF:  
CHANGING ITEM FEDERAL SUPPLY CLASS IN "PALLET UNIT  
DATA" CHART.

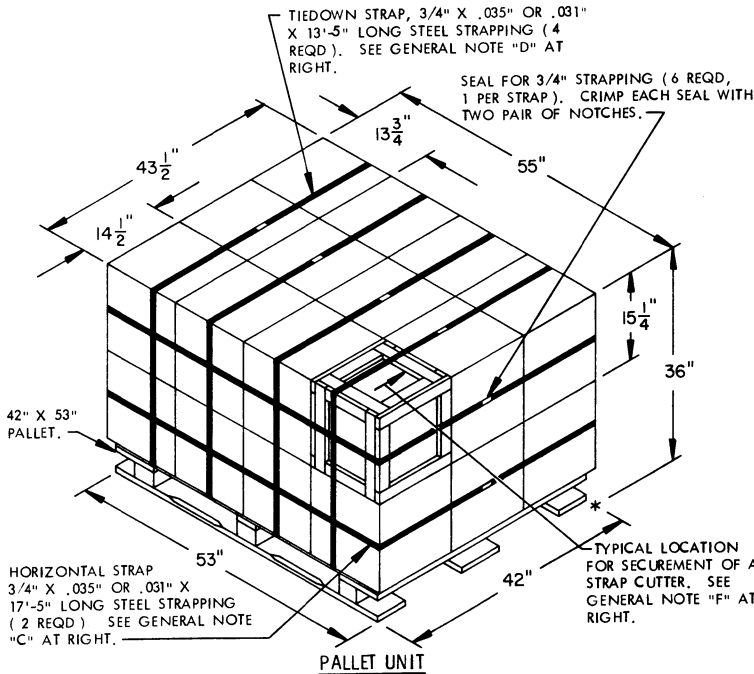
**NOTICE:** THIS APPENDIX CANNOT STAND ALONE BUT MUST BE  
USED IN CONJUNCTION WITH THE BASIC UNITIZATION PROCEDURES  
DRAWING 19-48-4116-20PA1002.

REVISIONS				DRAFTSMAN	PROJ ENG
1	DEC 86	<i>WRF</i>	<i>WRF</i>	<i>WRF</i>	<i>WRF</i>
				CHECKER	LOGGING OFFICE
				<i>WRF</i>	<i>WRF</i>
				APPROVED, U.S. ARMY ARMAMENT, MUNITIONS AND CHEMICAL COMMAND	
				<i>W. Benton</i>	<i>B. J. Deaton</i>
				APPROVED BY ORDER OF COMMANDING GENERAL, U.S. ARMY MATERIEL COMMAND (AMC)	
				<i>John L. Bryant</i>	
				U.S. ARMY AMC DRAWING	
				JANUARY 1985	
		CLASS	DIVISION	DRAWING	FILE
		19	48	4116/66A	20PA 1002

**DO NOT SCALE**

**GENERAL NOTES**

- A. THIS APPENDIX CANNOT STAND ALONE BUT MUST BE USED IN CONJUNCTION WITH THE BASIC UNITIZATION PROCEDURES DRAWING 19-48-4116-20PA1002. TO PRODUCE AN APPROVED UNIT LOAD, ALL PERTINENT PROCEDURES, SPECIFICATIONS AND CRITERIA SET FORTH WITHIN THE BASIC DRAWING WILL APPLY TO THE PROCEDURES DELINEATED IN THIS APPENDIX. ANY EXCEPTIONS TO THE BASIC PROCEDURES ARE SPECIFIED IN THIS APPENDIX.
- B. DIMENSIONS, CUBE AND WEIGHT OF A PALLET UNIT WILL VARY SLIGHTLY DEPENDING UPON THE ACTUAL DIMENSIONS OF THE BOXES AND THE WEIGHT OF THE SPECIFIC ITEM BEING UNITIZED.
- C. INSTALL EACH HORIZONTAL STRAP TO ENCIRCLE A LAYER OF BOXES ON THE PALLET. HORIZONTAL STRAPS MUST BE TENSIONED AND SEALED PRIOR TO APPLICATION OF TIEDOWN STRAPS.
- D. INSTALL EACH TIEDOWN STRAP TO PASS UNDER THE TOP DECK BOARDS OF THE PALLET AND TO BE LOCATED AS SHOWN. TIEDOWN STRAPS WILL NOT BE APPLIED UNTIL THE HORIZONTAL STRAPS HAVE BEEN TENSIONED AND SEALED.
- E. THE FOLLOWING AMC (DARCOM) DRAWINGS ARE APPLICABLE FOR UNLOADING AND STORAGE OF THE ITEMS COVERED BY THIS APPENDIX.  
 CARLOADING -----DRAWING 19-48-4115-5PA1002  
 TRUCKLOADING -----DRAWING 19-48-4117-11PA1003  
 STORAGE -----DRAWING 19-48-4118-1-2-3-4-14-22PA1002
- F. FOR METHOD OF SECURING A STRAP CUTTER TO THE PALLET UNIT, SEE DARCOM DRAWING 19-48-4127-20P1000.
- G. IF ITEMS COVERED HEREIN ARE UNITIZED PRIOR TO ISSUANCE OF THIS APPENDIX, THE BOXES NEED NOT BE REUNITIZED SOLELY TO CONFORM TO THIS APPENDIX.
- H. THE UNITIZATION PROCEDURES DEPICTED HEREIN MAY ALSO BE USED FOR UNITIZING LAUNCHERS, GRENADE WHEN IDENTIFIED BY DIFFERENT NATIONAL STOCK NUMBERS (NSN) THAN WHAT IS SHOWN ON THE TITLE PAGE, PROVIDED THE BOX PACK DOES NOT VARY FROM WHAT IS DELINEATED HEREIN. THE EXPLOSIVE CLASSIFICATION OF OTHER ITEMS MAY BE DIFFERENT THAN WHAT IS SHOWN.
- J. THE STYLE 18 PALLET DELINEATED IN THE DETAIL AT LEFT NEED NOT HAVE CHAMFERS OR STRAP SLOTS AS SPECIFIED WITHIN MILITARY SPECIFICATION MIL-P-15011 WHEN USED FOR THE UNITIZATION OF THE ITEMS COVERED BY THIS APPENDIX.



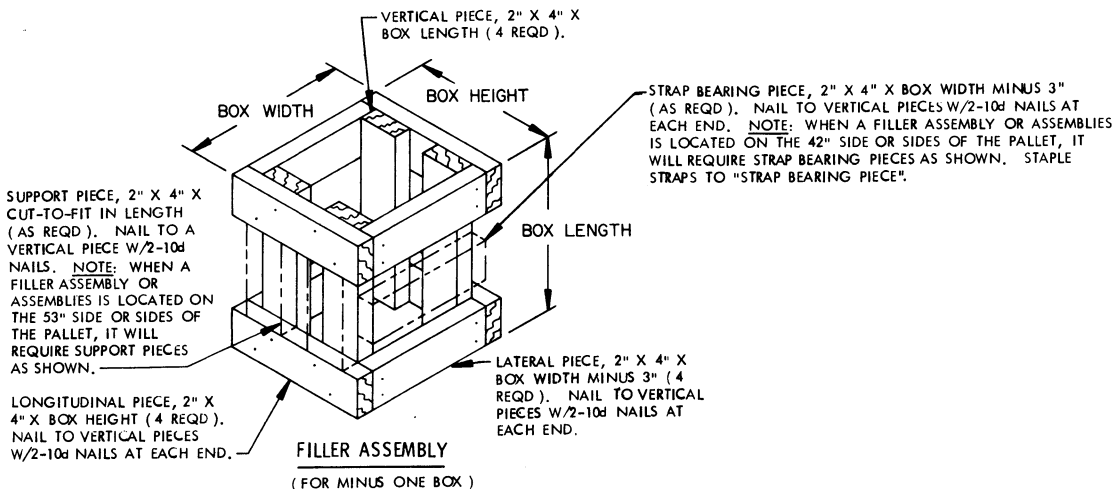
**PALLET UNIT**

SEE GENERAL NOTE "B" AT RIGHT.

24 BOXES OF GRENADE LAUNCHER ( 1 PER BOX ) @ 30 LBS -----	720 LBS ( APPROX )
DUNNAGE -----	7 LBS
PALLET -----	90 LBS
<hr/>	
TOTAL WEIGHT -----	817 LBS ( APPROX )
CUBE -----	49.8 CU FT ( APPROX )

**BILL OF MATERIAL**

PALLET, 42" X 53" -----	1 REQD -----	90 LBS
STEEL STRAPPING, 3/4" -----	88.50' REQD -----	6.32LBS
SEAL FOR 3/4" STRAPPING -----	6 REQD -----	NIL



**FILLER ASSEMBLY**  
(FOR MINUS ONE BOX)