

# APPENDIX 65Q

## UNITIZATION PROCEDURES FOR BOXED AMMUNITION AND COMPONENTS ON 4-WAY ENTRY PALLET

**GRENAD, RIFLE, ENTRY MUNITION (GREM),  
XM100, PACKED SIX PER M592 METAL BOX,  
UNITIZED 24 BOXES PER 42" X 53" PALLET;  
APPROX BOX SIZE 18-19/32" L X 9-1/2" W X  
14-19/32" H**

**NOTICE: THIS APPENDIX CANNOT STAND ALONE BUT MUST BE USED IN CONJUNCTION WITH  
THE BASIC UNITIZATION PROCEDURES DRAWING 19-48-4116-20PA1002.**

**DISTRIBUTION STATEMENT A:**

**APPROVED FOR PUBLIC RELEASE;  
DISTRIBUTION IS UNLIMITED.**

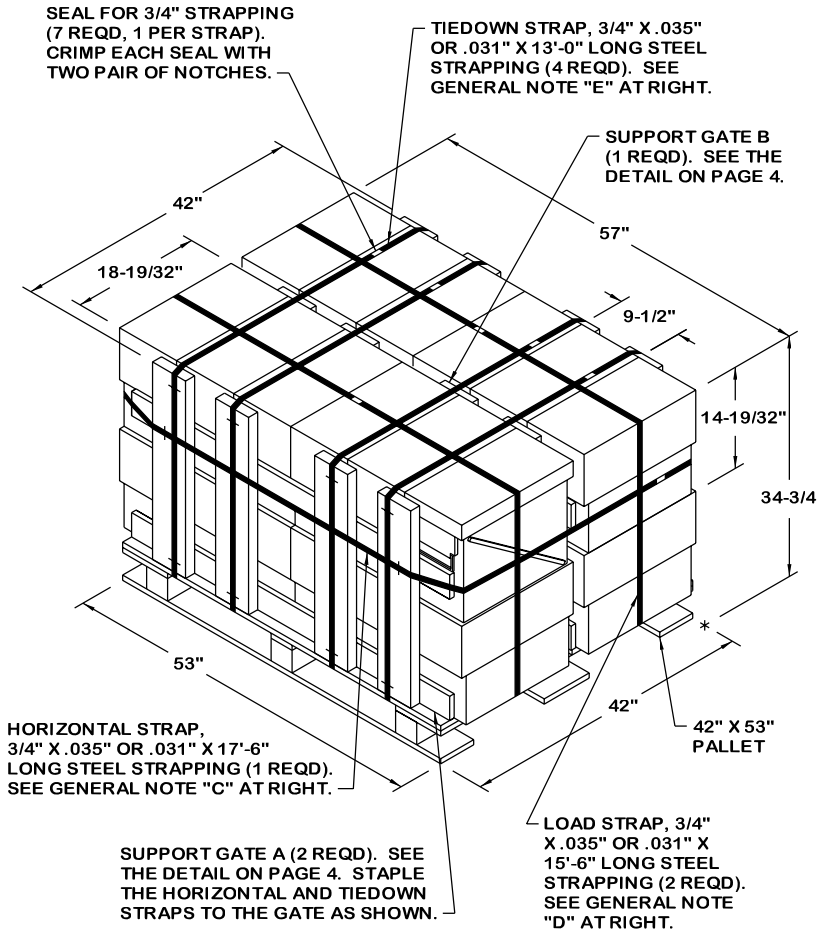
### U.S. ARMY MATERIEL COMMAND DRAWING

<p style="font-size: small;">APPROVED, U.S. ARMY OPERATIONS SUPPORT COMMAND</p> <p style="text-align: right;"><i>DLH</i></p> <p style="font-size: large; font-family: cursive;"><i>David A. Piskovich</i></p> <p style="font-size: small; text-align: right;">AMSTA-AR-WEP-RP</p>	ENGINEER	BASIC REV.	LAURA FIEFFER	<b>DO NOT SCALE</b>				
<p style="font-size: large; font-family: cursive;"><i>David A. Piskovich</i></p> <p style="font-size: small; text-align: right;">AMSTA-AR-WEP-RP</p>	TECHNICIAN	BASIC REV.		WEBSITE: <a href="http://www.dac.army.mil">HTTP://WWW.DAC.ARMY.MIL</a>				
<p style="font-size: large; font-family: cursive;"><i>David A. Piskovich</i></p> <p style="font-size: small; text-align: right;">AMSOS-TM</p>	DRAFTSMAN	BASIC REV.		<b>APRIL 2002</b>				
<p style="font-size: small;">APPROVED BY ORDER OF COMMANDING GENERAL, U.S. ARMY MATERIEL COMMAND</p> <p style="font-size: large; font-family: cursive;"><i>J. P. White</i></p> <p style="font-size: small;">U.S. ARMY DEFENSE AMMUNITION CENTER</p>	TRANSPORTATION ENGINEERING DIVISION		<i>L. L. Willis</i>					
	VALIDATION ENGINEERING DIVISION		<i>Philip W. A.</i>	TESTED	CLASS	DIVISION	DRAWING	FILE
	ENGINEERING DIRECTORATE		<i>William R. French</i>		19	48	4116/ 65Q	20PA1002

PALLET UNIT DATA				
ITEMS INCLUDED		● HAZARD CLASS AND DIVISION	● COMPA-TABILITY GROUP	APPROX WEIGHT LBS
NSN	DODIC			
1330-01-493-8597	GG12	1. 4	G	1, 021

- HAZARD CLASSIFICATION DATA CONTAINED IN THE ABOVE CHART IS FOR GUIDANCE AND INFORMATIONAL PURPOSES ONLY. VERIFICATION OF THE SPECIFIED DATA SHOULD BE MADE BY CONSULTING THE MOST RECENT JOINT HAZARD CLASSIFICATION SYSTEM LISTING OR OTHER APPROVED LISTING(S).

**GENERAL NOTES**



- A. THIS APPENDIX CANNOT STAND ALONE BUT MUST BE USED IN CONJUNCTION WITH THE BASIC UNITIZATION PROCEDURES DRAWING 19-48-4116-20PA1002. TO PRODUCE AN APPROVED UNIT LOAD, ALL PERTINENT PROCEDURES, SPECIFICATIONS AND CRITERIA SET FORTH WITHIN THE BASIC DRAWING WILL APPLY TO THE PROCEDURES DELINEATED IN THIS APPENDIX. ANY EXCEPTIONS TO THE BASIC PROCEDURES ARE SPECIFIED IN THIS APPENDIX.
- B. DIMENSIONS, CUBE AND WEIGHT OF A PALLET UNIT WILL VARY SLIGHTLY DEPENDING UPON THE ACTUAL DIMENSIONS OF THE BOXES AND THE WEIGHT OF THE SPECIFIC ITEM BEING UNITIZED.
- C. INSTALL THE HORIZONTAL STRAP TO ENCIRCLE A LAYER OF BOXES ON THE PALLET AND TO BE ALIGNED WITH THE HORIZONTAL PIECES OF THE SUPPORT GATES AS SHOWN. THE HORIZONTAL STRAP MUST BE TENSIONED AND SEALED PRIOR TO THE APPLICATION OF LOAD AND TIEDOWN STRAPS.
- D. THE LOAD STRAPS MAY BE THREADED THROUGH THE STRAP SLOTS OF A PALLET OR PRE-POSITIONED ON THE PALLET DECK PRIOR TO PLACING THE BOXES ON THE PALLET. LOAD STRAPS MUST BE TENSIONED AND SEALED PRIOR TO APPLICATION OF TIEDOWN STRAPS.
- E. INSTALL EACH TIEDOWN STRAP TO PASS UNDER THE TOP DECK BOARDS OF THE PALLET AND TO BE ALIGNED WITH THE VERTICAL PIECES OF THE SUPPORT GATES AS SHOWN. TIEDOWN STRAPS WILL NOT BE APPLIED UNTIL THE LOAD AND HORIZONTAL STRAPS HAVE BEEN TENSIONED AND SEALED.
- F. THE FOLLOWING AMC DRAWINGS ARE APPLICABLE FOR OUTLOADING AND STORAGE OF THE ITEMS COVERED BY THIS APPENDIX.

CARLOADING	- - - -	19-48-4115-5PA1002
TRUCKLOADING	- - - -	19-48-4117-11PA1003
STORAGE	- - - -	19-48-4118-1-2-3-4-14-22PA1002
END OPENING ISO CONTAINER	- - - -	19-48-4153-15PA1002
MILVAN	- - - -	19-48-4166-15PA1003
SIDE OPENING ISO CONTAINER	- - - -	19-48-4267-15PA1009

**PALLET UNIT**

SEE GENERAL NOTE "B" AT RIGHT.

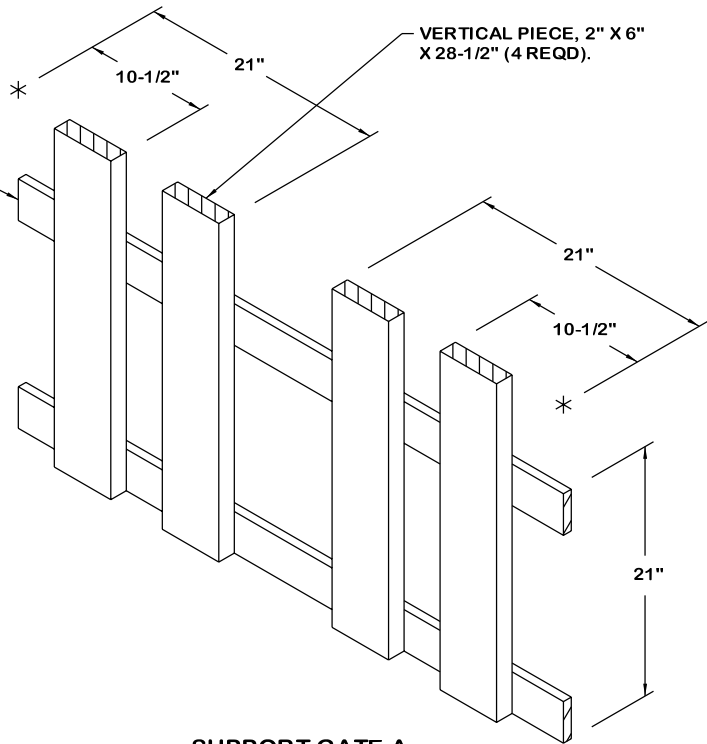
24 BOXES OF RIFLE GRENADES (6 PER BOX) @ 35 LBS	- -	840 LBS (APPROX)
DUNNAGE	- - - - -	91 LBS
PALLET	- - - - -	90 LBS
<hr/>		
TOTAL WEIGHT	- - - - -	1,021 LBS (APPROX)
CUBE	- - - - -	48.1 CU FT (APPROX)

- G. IF ITEMS COVERED HEREIN ARE UNITIZED PRIOR TO ISSUANCE OF THIS APPENDIX, THE BOXES NEED NOT BE REUNITIZED SOLELY TO CONFORM TO THIS APPENDIX.
- H. THE UNITIZATION PROCEDURES DEPICTED HEREIN MAY ALSO BE USED FOR UNITIZING RIFLE GRENADES WHEN IDENTIFIED BY DIFFERENT NATIONAL STOCK NUMBERS (NSN) THAN WHAT IS SHOWN ON PAGE 2, PROVIDED THE BOX PACK DOES NOT VARY FROM WHAT IS DELINEATED HEREIN. THE EXPLOSIVE CLASSIFICATION OF OTHER ITEMS MAY BE DIFFERENT THAN WHAT IS SHOWN.
- J. THE STYLE 1B PALLET DELINEATED IN THE DETAIL AT LEFT NEED NOT HAVE CHAMFERS OR STRAP SLOTS AS SPECIFIED WITHIN MILITARY SPECIFICATION MIL-P-15011 WHEN USED FOR THE UNITIZATION OF ITEMS COVERED BY THIS APPENDIX.
- K. ALL DUNNAGE SHALL BE PRESERVATIVE TREATED IN ACCORDANCE WITH GENERAL NOTE "AA" IN THE BASIC PROCEDURES.
- L. FOR DETAILS OF THE M592 METAL BOX SEE DRAWING 10542565.

**BILL OF MATERIAL**

LUMBER	LINEAR FEET	BOARD FEET
1" X 4"	35.33	11.78
2" X 6"	28.50	28.50
NAILS	NO. REQD	POUNDS
6d (2")	96	0.56
PALLET, 42" X 53" - - - - - 1 REQD - - - - 90 LBS		
STEEL STRAPPING, 3/4" - 100.50' REQD - - - - 8.98 LBS		
SEAL FOR 3/4" STRAPPING - - - 7 REQD - - - - NIL		
STAPLE, 15/16" X 3/4" - - - 20 REQD - - - - NIL		

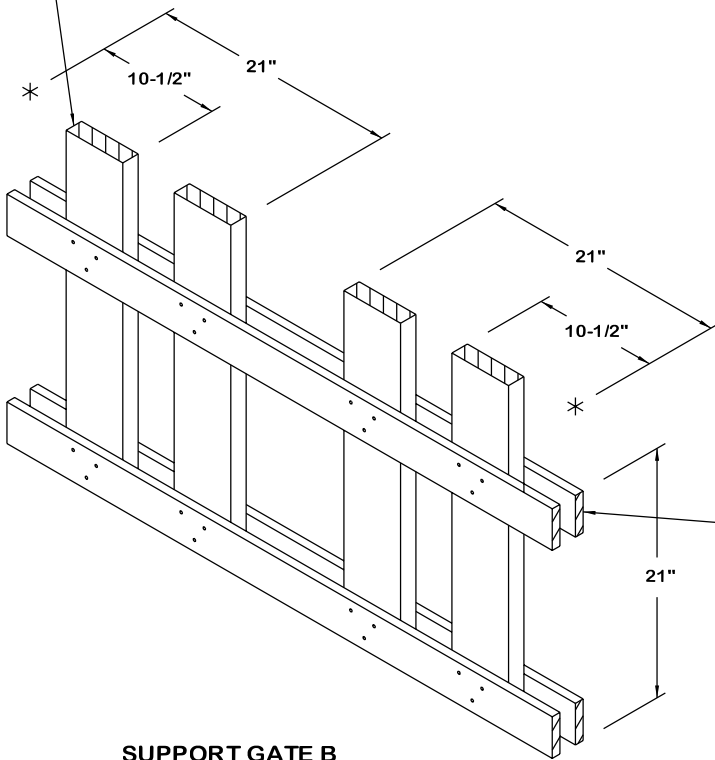
HORIZONTAL PIECE, 1" X 4" X 53" (2 REQD). NAIL TO THE VERTICAL PIECES W/3-6d NAILS AT EACH JOINT.



**SUPPORT GATE A**

(2 REQD)

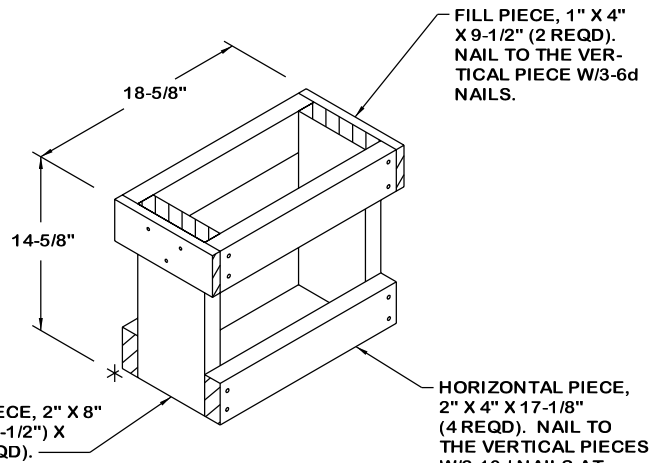
VERTICAL PIECE, 2" X 6" X 28-1/2" (4 REQD).



**SUPPORT GATE B**

(1 REQD)

HORIZONTAL PIECE, 1" X 4" X 53" (4 REQD). NAIL TO THE VERTICAL PIECES W/3-6d NAILS AT EACH JOINT.



**FILLER ASSEMBLY**

(FOR MINUS ONE BOX)