

APPENDIX 59

UNITIZATION PROCEDURES FOR BOXED AMMUNITION AND COMPONENTS ON 4-WAY ENTRY PALLETS

FUZE, PACKED VARIOUS QUANTITIES PER METAL BOX, M548,
UNITIZED 36 BOXES PER 40" X 48" PALLET;
APPROX BOX SIZE 18 $\frac{19}{32}$ " L X 8 $\frac{19}{64}$ " W X 14 $\frac{19}{32}$ " H

PALLET UNIT DATA						
ITEMS INCLUDED		HAZARD CLASSIFICATION [Ⓢ]				WEIGHT (LBS)
NSN	DODIC	DOT CLASS	CG CLASS	QD CLASS	COMP GROUP	
1325-						
00-009-3729	F740	C	I	1.4	B	2,466
01-061-6603	G124	—	—	—	—	1,602
01-061-8601	G122	—	—	—	—	1,602
01-062-0173	G123	—	—	—	—	1,602
01-074-7645	—	—	—	—	—	1,602
01-012-1989	F745	C	I	1.4	B	1,602
01-130-6711	—	—	—	—	—	1,602
01-012-1990	F746	—	—	—	—	1,602

Ⓢ HAZARD CLASSIFICATION DATA CONTAINED IN THE ABOVE CHART IS FOR GUIDANCE AND INFORMATIONAL PURPOSES ONLY. VERIFICATION OF THE SPECIFIED DATA SHOULD BE MADE BY CONSULTING THE MOST RECENT JOINT HAZARD CLASSIFICATION SYSTEMS LISTING OR OTHER APPROVED LISTING(S).

THIS APPENDIX SUPERSEDES THE THREE-LAYER UNITIZATION PROCEDURES OF INTERIM DRAWING 19-48-4141-20PA1003, DATED FEBRUARY 1977.

REVISIONS

REVISION NO. 1, DATED AUGUST 1983, CONSISTS OF:

1. ADDING NATIONAL STOCK NUMBER TO "PALLET UNIT DATA" CHART.
2. ADDING ALTERNATIVE LOAD STRAPS.
3. CHANGE BOX DIMENSIONS.

REVISION NO. 2, DATED APRIL 1984, CONSISTS OF:

ADDING ITEM BY NATIONAL STOCK NUMBER TO "PALLET UNIT DATA" CHART.

REVISION NO. 3, DATED MARCH 1986, CONSISTS OF:

UPDATING "PALLET UNIT DATA" CHART.

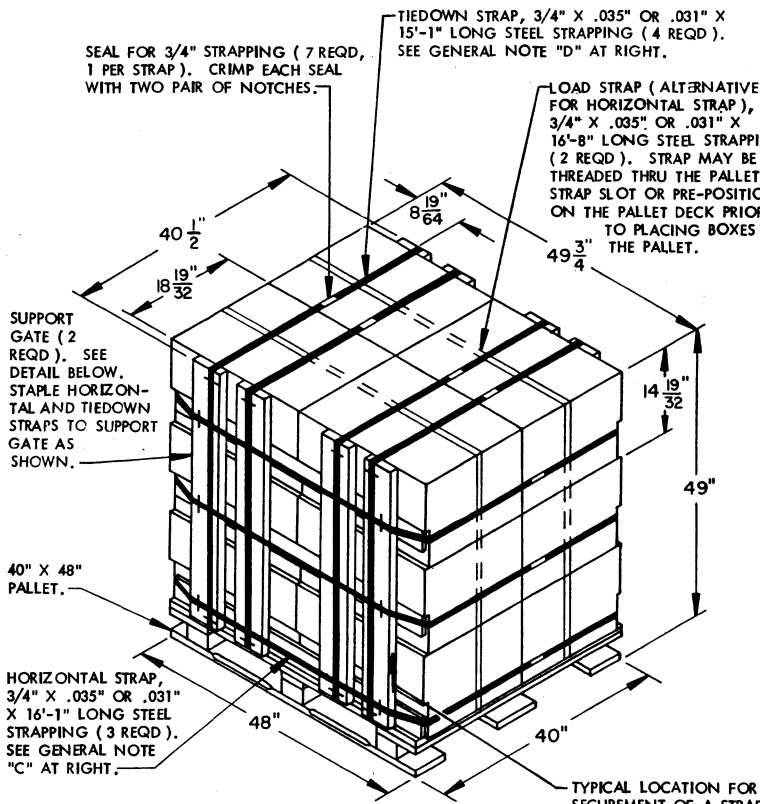
REVISION NO. 4, DATED OCTOBER 1987, CONSISTS OF:

ADDING GENERAL NOTE "K".

NOTICE: THIS APPENDIX CANNOT STAND ALONE BUT MUST BE USED IN CONJUNCTION WITH THE BASIC UNITIZATION PROCEDURES DRAWING 19-48-4116-20PA1002.

DO NOT SCALE

REVISIONS		DRAWN	PROJ ENG	CHKD BY	APP'D BY
1	AUG 83	WRF/WFC	WRF/Heur	W & Ernst	W & Ernst
2	APR 84	WRF/WFC	WRF/Heur	W & Ernst	W & Ernst
3	MAR 86	WRF/WFC	WRF/Heur	W & Ernst	W & Ernst
4	OCT 87	WRF/WFC	WRF/Heur	W & Ernst	W & Ernst
U. S. ARMY DARCOM DRAWING					
NOVEMBER 1981					
CLASS	DIVISION	DRAWING	FILE		
19	48	4116/ 59	20PA 1002		



PALLET UNIT

SEE GENERAL NOTE "B" AT RIGHT.

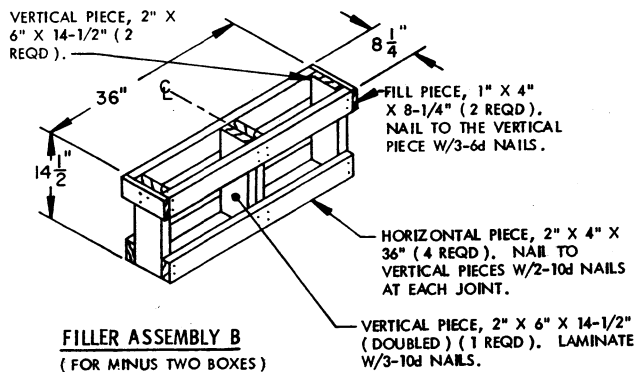
36 BOXES OF FUZES (2 PER BOX) @ 40 LBS-----1,440 LBS (APPROX)
 DUNNAGE-----82 LBS
 PALLET-----80 LBS

TOTAL WEIGHT-----1,602 LBS (APPROX)
 CUBE-----57.1 CU FT (APPROX)

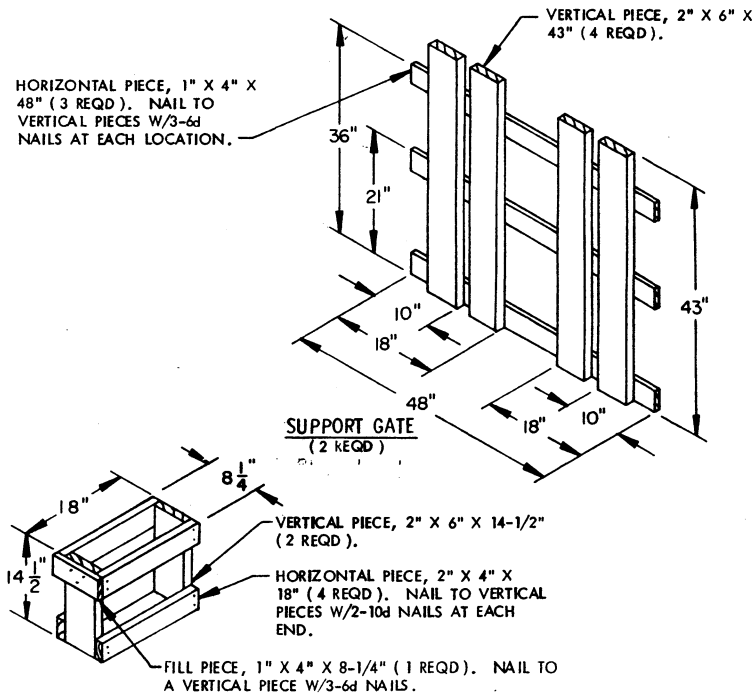
GENERAL NOTES

- A. THIS APPENDIX CANNOT STAND ALONE BUT MUST BE USED IN CONJUNCTION WITH THE BASIC UNITIZATION PROCEDURES DRAWING 19-48-4116-20PA1002. TO PRODUCE AN APPROVED UNIT LOAD, ALL PERTINENT PROCEDURES, SPECIFICATIONS AND CRITERIA SET FORTH WITHIN THE BASIC DRAWING WILL APPLY TO THE PROCEDURES DELINEATED IN THIS APPENDIX. ANY EXCEPTIONS TO THE BASIC PROCEDURES ARE SPECIFIED IN THIS APPENDIX.
- B. DIMENSIONS, CUBE AND WEIGHT OF A PALLET UNIT WILL VARY SLIGHTLY DEPENDING UPON THE ACTUAL DIMENSIONS OF THE BOXES AND THE WEIGHT OF THE SPECIFIC ITEM BEING UNITIZED.
- C. INSTALL EACH HORIZONTAL STRAP TO ENIRCLE A LAYER OF BOXES ON THE PALLET AND TO BE ALIGNED WITH THE HORIZONTAL PIECES OF THE "SUPPORT GATE" AS SHOWN. HORIZONTAL STRAPS MUST BE TENSIONED AND SEALED PRIOR TO APPLICATION OF TIEDOWN STRAPS.
- D. INSTALL EACH TIEDOWN STRAP TO PASS UNDER THE TOP DECK BOARDS OF THE PALLET AND TO BE ALIGNED WITH THE VERTICAL PIECES OF THE "SUPPORT GATE" AS SHOWN. TIEDOWN STRAPS WILL NOT BE APPLIED UNTIL THE HORIZONTAL STRAPS HAVE BEEN TENSIONED AND SEALED.
- E. THE FOLLOWING AMC (DARCOM) DRAWINGS ARE APPLICABLE FOR OUTLOADING AND STORAGE OF THE ITEMS COVERED BY THIS APPENDIX.
 CARLOADING-----DRAWING 19-48-4115-5PA1002
 TRUCKLOADING-----DRAWING 19-48-4117-11PA1003
 STORAGE-----DRAWING 19-48-4118-1-2-3-4-14-22PA1002
- F. FOR METHOD OF SECURING A STRAP CUTTER TO THE PALLET UNIT, SEE DARCOM DRAWING 19-48-4127-20P1000.
- G. IF ITEMS COVERED HEREIN ARE UNITIZED PRIOR TO ISSUANCE OF THIS APPENDIX, THE BOXES NEED NOT BE REUNITIZED SOLELY TO CONFORM TO THIS APPENDIX.
- H. THE UNITIZATION PROCEDURES DEPICTED HEREIN MAY ALSO BE USED FOR UNITIZING FUZES WHEN IDENTIFIED BY DIFFERENT NATIONAL STOCK NUMBERS (NSN) THAN WHAT IS SHOWN ON THE TITLE PAGE, PROVIDED THE BOX PACK DOES NOT VARY FROM WHAT IS DELINEATED HEREIN. THE EXPLOSIVE CLASSIFICATION OF OTHER ITEMS MAY BE DIFFERENT THAN WHAT IS SHOWN.
- J. WHEN THE UNIT LOAD DEPICTED AT LEFT IS TO BE USED FOR UNITIZING MARINE CORPS AMMUNITION, ONE LAYER OF BOXES MUST BE OMITTED, SUPPORT GATE HEIGHT MUST BE DECREASED TO 28-1/2" AND THE UPPERMOST HORIZONTAL PIECE MUST BE OMITTED, TIEDOWN STRAP LENGTHS MUST BE DECREASED TO 12'-8", AND THE UPPERMOST HORIZONTAL STRAP MUST BE OMITTED. THIS WILL RESULT IN AN OVERALL UNIT HEIGHT OF 34-1/2", A GROSS UNIT WEIGHT OF 1,101 POUNDS, AND A UNIT CUBE OF 40.0 CUBIC FEET. ADDITIONALLY, THE UNIT LOAD MAY BE MODIFIED AS DESCRIBED WHEN BEING SHIPPED BY MILVAN OR COMMERCIAL INTERMODAL FREIGHT CONTAINER. THE DETERMINATION TO REDUCE THE LOAD BY A LAYER FOR TRANSPORTATION WILL BE MADE BY THE RESPONSIBLE COMMAND AND WILL BE BASED UPON ECONOMICS OF TRANSPORTATION AND HANDLING.
- K. THE STYLE 1 PALLET DELINEATED IN THE DETAIL AT LEFT NEED NOT HAVE CHAMFERS OR STRAP SLOTS AS SPECIFIED WITHIN MILITARY SPECIFICATION MIL-P-15011 WHEN USED FOR THE UNITIZATION OF THE ITEMS COVERED BY THIS APPENDIX.

BILL OF MATERIAL		
LUMBER	LINEAR FEET	BOARD FEET
1" X 4"	24.00	8.00
2" X 6"	28.67	28.67
NAILS	NO. REQD	POUNDS
6d (2")	72	0.42
PALLET, 40" X 48"	1 REQD	80 LBS
STEEL STRAPPING, 3/4"	108.58' REQD	7.76 LBS
SEAL FOR 3/4" STRAPPING	7 REQD	NIL
STAPLE	28 REQD	NIL



FILLER ASSEMBLY B
(FOR MINUS TWO BOXES)



FILLER ASSEMBLY A
(FOR MINUS ONE BOX)