

APPENDIX 55F

UNITIZATION PROCEDURES FOR BOXED AMMUNITION AND COMPONENTS ON 4-WAY ENTRY PALLET

**FUZE, PACKED 9 PER METAL BOX, UNITIZED
20 BOXES PER 35" X 45-1/2" PALLET; APPROX
BOX SIZE 18-1/2" L X 9-1/2" W X 15" H**

**NOTICE: THIS APPENDIX CANNOT STAND ALONE BUT MUST BE USED IN CONJUNCTION WITH
THE BASIC UNITIZATION PROCEDURES DRAWING 19-48-4116-20PA1002.**

DISTRIBUTION STATEMENT A:

**APPROVED FOR PUBLIC RELEASE;
DISTRIBUTION IS UNLIMITED.**

U.S. ARMY MATERIEL COMMAND DRAWING

<p>APPROVED, U.S. ARMY OPERATIONS SUPPORT COMMAND MLH</p> <p><i>David A. Piskovik</i></p> <p style="text-align: right; font-size: small;">AMSTA-AR-WEP-RP</p>	<p>CAUTION: VERIFY PRIOR TO USE AT WWW.DAC.ARMY.MIL/DET THAT THIS IS THE MOST CURRENT VERSION OF THIS DOCUMENT. THIS IS PAGE 1 OF 4.</p>					
<p><i>RLD Aselt</i></p> <p style="text-align: right; font-size: small;">AMSOS-TM</p>	<p>DO NOT SCALE</p>		<p>FEBRUARY 1982</p>			
	ENGINEER OR TECHNICIAN	BASIC REV.	<p>GEORGE FECKE</p> <p>RANDIE UNSER</p>	REVISION NO. 1	AUGUST 2002	
<p>APPROVED BY ORDER OF COMMANDING GENERAL, U.S. ARMY MATERIEL COMMAND</p> <p><i>Charles P. Froo</i></p> <p style="text-align: center; font-size: small;">U.S. ARMY DEFENSE AMMUNITION CENTER</p>	TRANSPORTATION ENGINEERING DIVISION	<p><i>G. L. Willis</i></p>		<p>SEE THE REVISION LISTING ON PAGE 2</p>		
	VALIDATION ENGINEERING DIVISION	TESTED	CLASS	DIVISION	DRAWING	FILE
	ENGINEERING DIRECTORATE	<i>William R. Jerech</i>	19	48	4116/ 55F	20PA1002

PALLET UNIT DATA				
ITEMS INCLUDED		● HAZARD CLASS AND DIVISION	● COMPAT-ABILITY GROUP	APPROX WEIGHT LBS
NSN	DODIC			
1325-01-048-0760	F816	———— INERT ————		1, 213

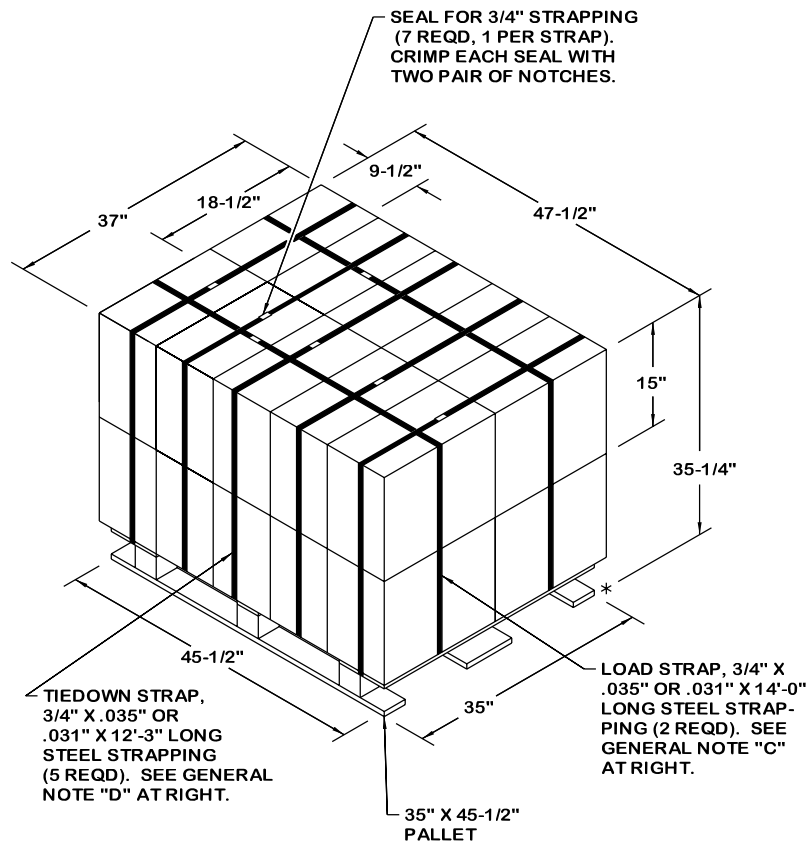
● HAZARD CLASSIFICATION DATA CONTAINED IN THE ABOVE CHART IS FOR GUIDANCE AND INFORMATIONAL PURPOSES ONLY. VERIFICATION OF THE SPECIFIED DATA SHOULD BE MADE BY CONSULTING THE MOST RECENT JOINT HAZARD CLASSIFICATION SYSTEM LISTING OR OTHER APPROVED LISTING(S).

REVISION

REVISION NO. 1, DATED AUGUST 2002, CONSISTS OF:

1. UPDATING DODIC IN PALLET UNIT DATA CHART.
2. UPDATING DRAWING FORMAT.

GENERAL NOTES



- A. THIS APPENDIX CANNOT STAND ALONE BUT MUST BE USED IN CONJUNCTION WITH THE BASIC UNITIZATION PROCEDURES DRAWING 19-48-4116-20PA1002. TO PRODUCE AN APPROVED UNIT LOAD, ALL PERTINENT PROCEDURES, SPECIFICATIONS AND CRITERIA SET FORTH WITHIN THE BASIC DRAWING WILL APPLY TO THE PROCEDURES DELINEATED IN THIS APPENDIX. ANY EXCEPTIONS TO THE BASIC PROCEDURES ARE SPECIFIED IN THIS APPENDIX.
- B. DIMENSIONS, CUBE AND WEIGHT OF A PALLET UNIT WILL VARY SLIGHTLY DEPENDING UPON THE ACTUAL DIMENSIONS OF THE BOXES AND THE WEIGHT OF THE SPECIFIC ITEM BEING UNITIZED.
- C. THE LOAD STRAPS MAY BE THREADED THROUGH THE STRAP SLOTS OF THE PALLET, OR PRE-POSITIONED ON THE PALLET DECK PRIOR TO PLACING THE BOXES ON THE PALLET. LOAD STRAPS MUST BE TENSIONED AND SEALED PRIOR TO APPLICATION OF TIEDOWN STRAPS.
- D. INSTALL EACH TIEDOWN STRAP TO PASS UNDER THE DECK/STRINGER BOARDS OF THE PALLET AND TO BE LOCATED AS SHOWN. TIEDOWN STRAPS WILL NOT BE APPLIED UNTIL THE LOAD STRAPS HAVE BEEN TENSIONED AND SEALED.
- E. THE FOLLOWING AMC DRAWINGS ARE APPLICABLE FOR OUTLOADING AND STORAGE OF THE ITEMS COVERED BY THIS APPENDIX.
 - CARLOADING - - - - 19-48-4115-5PA1002
 - TRUCKLOADING - - - - 19-48-4117-11PA1003
 - STORAGE - - - - 19-48-4118-1-2-3-4-14-22PA1002
 - END OPENING ISO CONTAINER - - - - 19-48-4153-15PA1002
 - MILVAN - - - - 19-48-4166-15PA1003
 - SIDE OPENING ISO CONTAINER - - - - 19-48-4267-15PA1009
- F. IF ITEMS COVERED HEREIN ARE UNITIZED PRIOR TO ISSUANCE OF THIS REVISION TO THIS APPENDIX, THE BOXES NEED NOT BE REUNITIZED SOLELY TO CONFORM TO THIS REVISION.
- G. THE UNITIZATION PROCEDURES DEPICTED HEREIN MAY ALSO BE USED FOR UNITIZING FUZES WHEN IDENTIFIED BY DIFFERENT NATIONAL STOCK NUMBERS (NSN) THAN WHAT IS SHOWN ON PAGE 2, PROVIDED THE BOX PACK DOES NOT VARY FROM WHAT IS DELINEATED HEREIN. THE EXPLOSIVE CLASSIFICATION OF OTHER ITEMS MAY BE DIFFERENT THAN WHAT IS SHOWN.
- H. THE STYLE 1A PALLET DELINEATED IN THE DETAIL AT LEFT NEED NOT HAVE CHAMFERS OR STRAP SLOTS AS SPECIFIED WITHIN MILITARY SPECIFICATION MIL-P-15011 WHEN USED FOR THE UNITIZATION OF ITEMS COVERED BY THIS APPENDIX.
- J. FOR DETAILS OF THE METAL BOX SEE NAVY DRAWING 2513039.

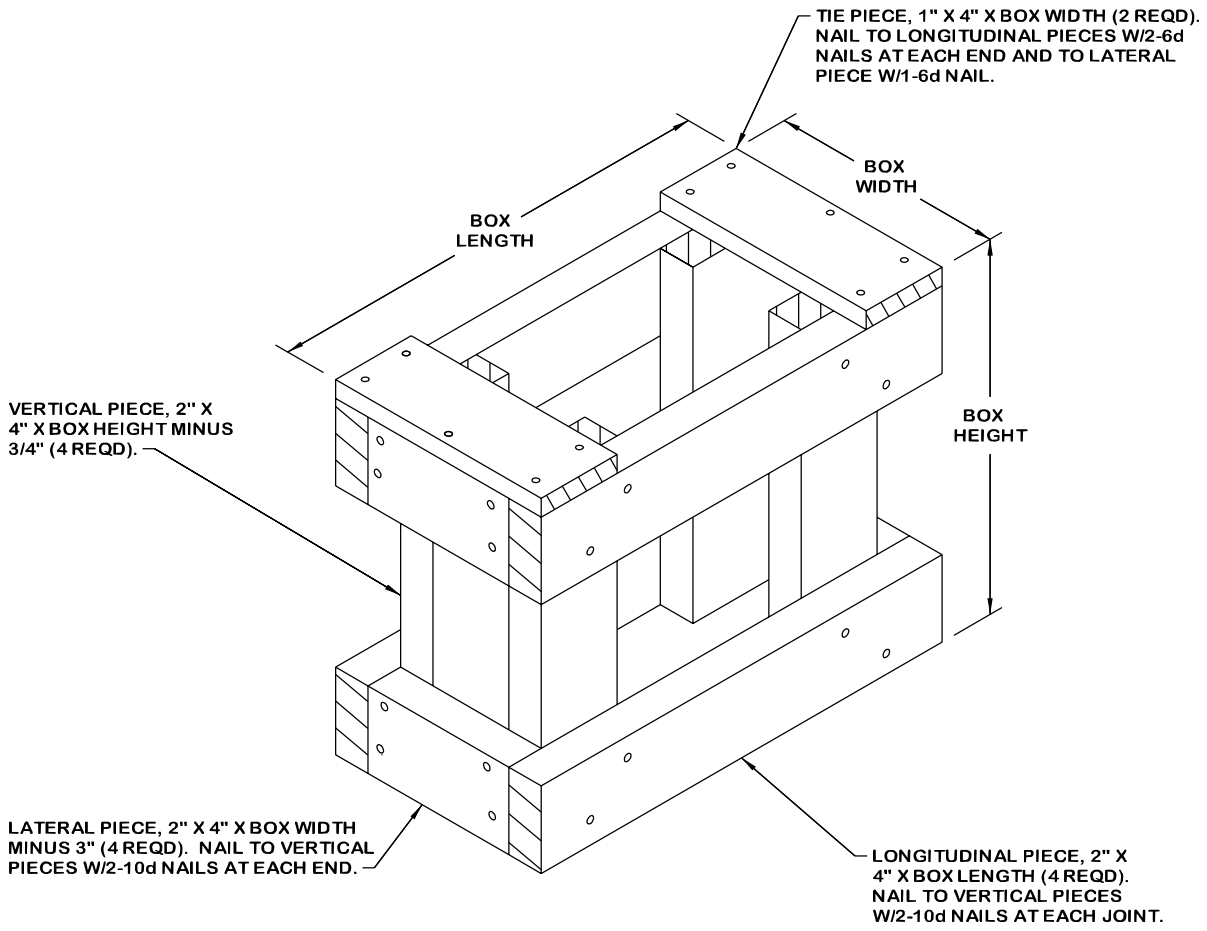
PALLET UNIT

SEE GENERAL NOTE "B" AT RIGHT

20 BOXES OF FUZES (9 PER BOX) @ 57 LBS	- - - - -	1,140 LBS (APPROX)
DUNNAGE	- - - - -	8 LBS
PALLET	- - - - -	65 LBS
<hr/>		
TOTAL WEIGHT	- - - - -	1,213 LBS (APPROX)
CUBE	- - - - -	35.9 CU FT (APPROX)

BILL OF MATERIAL

PALLET, 35" X 45-1/2"	- - - - 1 REQD	- - - 65 LBS
STEEL STRAPPING, 3/4"	- - 89.00' REQD	- - 7.95 LBS
SEAL FOR 3/4" STRAPPING	- - - - 7 REQD	- - - NIL



FILLER ASSEMBLY
 (FOR MINUS ONE BOX)