

APPENDIX 55B

UNITIZATION PROCEDURES FOR BOXED AMMUNITION AND COMPONENTS ON 4-WAY ENTRY PALLET

**FUZE, BOMB, PACKED ONE PER FIBERBOARD
BOX, UNITIZED 60 BOXES PER 42" X 53" PALLET;
APPROX BOX SIZE 8-1/4"L X 8-1/4"W X 14-1/2"H**

**NOTICE: THIS APPENDIX CANNOT STAND ALONE BUT MUST BE USED IN CONJUNCTION WITH
THE BASIC UNITIZATION PROCEDURES DRAWING 19-48-4116-20PA1002.**

DISTRIBUTION STATEMENT A:

**APPROVED FOR PUBLIC RELEASE;
DISTRIBUTION IS UNLIMITED.**

U.S. ARMY MATERIEL COMMAND DRAWING

APPROVED, U.S. ARMY OPERATIONS SUPPORT COMMAND <i>David A. Pedroni</i> AMSTA-AR-WEP-RP	ENGINEER	BASIC	WILLIAM FRERICHS	DO NOT SCALE			
		REV.	MICHAEL BARTOSIAK	WEBSITE: HTTP://WWW.DAC.ARMY.MIL			
APPROVED BY ORDER OF COMMANDING GENERAL, U.S. ARMY MATERIEL COMMAND <i>Joseph P. White</i> U.S. ARMY DEFENSE AMMUNITION CENTER	TECHNICIAN	BASIC		FEBRUARY 1981			
		REV.		REVISION NO. 1		SEPTEMBER 2001	
	DRAFTSMAN	BASIC	INGEBORG DEPPE	SEE THE REVISION LISTING ON PAGE 2			
		REV.		CLASS	DIVISION	DRAWING	FILE
	TRANSPORTATION ENGINEERING DIVISION		<i>Pulowitz</i>	19	48	4116/ 55B	20PA1002
	VALIDATION ENGINEERING DIVISION		<i>William R. French</i>				
	ENGINEERING DIRECTORATE						

PALLET UNIT DATA				
ITEMS INCLUDED		● HAZARD CLASS AND DIVISION		APPROX WEIGHT LBS
NSN	DODIC	QD CLASS	COMP GROUP	
1325-01-049-5377	F817	———— INERT ————		456

● HAZARD CLASSIFICATION DATA CONTAINED IN THE ABOVE CHART IS FOR GUIDANCE AND INFORMATIONAL PURPOSES ONLY. VERIFICATION OF THE SPECIFIED DATA SHOULD BE MADE BY CONSULTING THE MOST RECENT JOINT HAZARD CLASSIFICATION SYSTEM LISTING OR OTHER APPROVED LISTING(S).

REVISION

REVISION NO. 1, DATED SEPTEMBER 2001, CONSISTS OF:

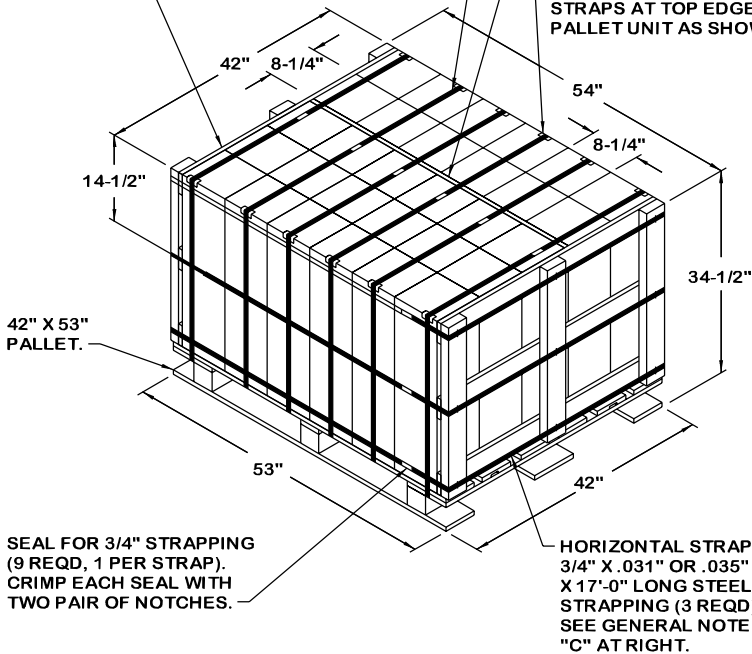
1. REDRAWING IN CAD AND UPDATING FORMAT.
2. CHANGING DODIC OF NSN 1325-01-049-5377 TO F817.
3. REMOVE STRAP CUTTER NOTE AND REFERENCE TO PLACEMENT IN ISOMETRIC PALLET UNIT VIEW.
4. ADD NOTE WHICH ALLOWS A PALLET WITH NO STRAP SLOTS OR CHAMFERS.

SIDE FILL ASSEMBLY (2 REQD).
SEE THE DETAIL ON PAGE 4.
STAPLE HORIZONTAL STRAPS
TO "SIDE FILL ASSEMBLIES" AS
SHOWN.

TIEDOWN STRAP, 3/4" X .031"
OR .035" X 12'-11" LONG STEEL
STRAPPING (6 REQD). SEE
GENERAL NOTE "D" AT RIGHT.

SPACER, PLYWOOD, 3/4" X
29" X 49-1/2" (1 REQD).

EDGE PROTECTOR (12 REQD)
COMMERCIAL GRADE.
POSITION UNDER TIEDOWN
STRAPS AT TOP EDGES OF
PALLET UNIT AS SHOWN.



PALLET UNIT

SEE GENERAL NOTE "B" AT RIGHT.

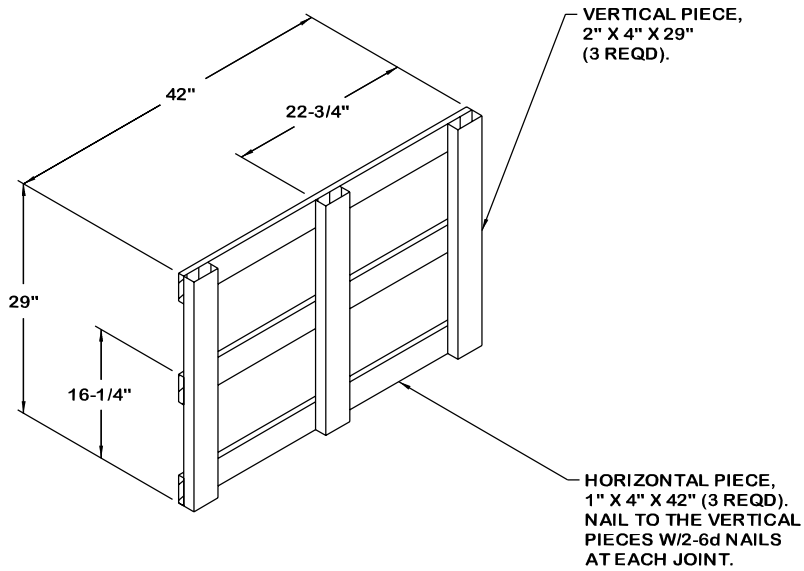
60 FBRBD BOXES OF BOMB FUZE (1 PER BOX) AT 5 LBS	--	300 LBS (APPROX)
DUNNAGE	-----	66 LBS
PALLET	-----	90 LBS
TOTAL WEIGHT		456 LBS (APPROX)
CUBE		45.3 CU FT (APPROX)

GENERAL NOTES

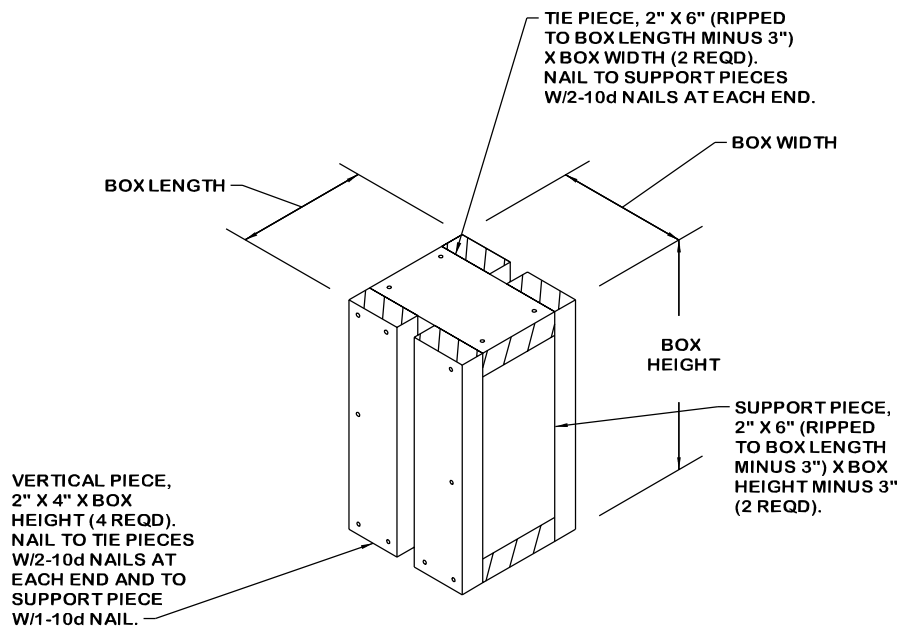
- A. THIS APPENDIX CANNOT STAND ALONE BUT MUST BE USED IN CONJUNCTION WITH THE BASIC UNITIZATION PROCEDURES DRAWING 19-48-4116-20PA1002. TO PRODUCE AN APPROVED UNIT LOAD, ALL PERTINENT PROCEDURES, SPECIFICATION AND CRITERIA SET FORTH WITHIN THE BASIC DRAWING WILL APPLY TO THE PROCEDURES DELINEATED IN THIS APPENDIX. ANY EXCEPTIONS TO THE BASIC PROCEDURES ARE SPECIFIED IN THIS APPENDIX.
- B. DIMENSIONS, CUBE AND WEIGHT OF A PALLET UNIT WILL VARY SLIGHTLY DEPENDING UPON THE ACTUAL DIMENSIONS OF THE BOXES AND THE WEIGHT OF THE SPECIFIC ITEM BEING UNITIZED.
- C. INSTALL EACH HORIZONTAL STRAP TO BE LOCATED AS SHOWN. HORIZONTAL STRAPS MUST BE TENSIONED AND SEALED PRIOR TO APPLICATION OF TIEDOWN STRAPS.
- D. INSTALL EACH TIEDOWN STRAP TO PASS UNDER THE DECK/STRINGER BOARDS OF THE PALLET AND TO BE LOCATED AS SHOWN. TIEDOWN STRAPS WILL NOT BE APPLIED UNTIL THE HORIZONTAL STRAPS HAVE BEEN TENSIONED AND SEALED.
- E. THE FOLLOWING AMC DRAWINGS ARE APPLICABLE FOR THE OUTLOADING AND STORAGE OF THE ITEMS COVERED BY THIS APPENDIX.
 - CARLOADING - - - - 19-48-4115-5PA1002
 - TRUCKLOADING - - - 19-48-4117-11PA1003
 - STORAGE - - - - - 19-48-4118-1-2-3-4-14-22PA1002
 - END OPENING ISO
 - CONTAINER - - - - 19-48-4153-15PA1002
 - MILVAN - - - - - 19-48-4166-15PA1003
 - SIDE OPENING ISO
 - CONTAINER - - - - 19-48-4267-15PA1009
- F. IF ITEMS COVERED HEREIN ARE UNITIZED PRIOR TO ISSUANCE OF THIS APPENDIX, THE BOXES NEED NOT BE REUNITIZED SOLELY TO CONFORM TO THIS APPENDIX.
- G. THE UNITIZATION PROCEDURES DEPICTED HEREIN MAY ALSO BE USED FOR UNITIZING BOMB FUZES WHEN IDENTIFIED BY DIFFERENT NATIONAL STOCK NUMBERS (NSNs) THAN WHAT IS SHOWN ON PAGE 2, PROVIDED THE BOX PACK DOES NOT VARY FROM WHAT IS DELINEATED HEREIN. THE EXPLOSIVE CLASSIFICATION OF OTHER ITEMS MAY BE DIFFERENT THAN WHAT IS SHOWN.
- H. THE STYLE 1B PALLET DELINEATED IN THE DETAIL ABOVE NEED NOT HAVE CHAMFERS OR STRAP SLOTS AS SPECIFIED WITHIN MILITARY SPECIFICATION MIL-P-15011 WHEN USED FOR THE UNITIZATION OF ITEMS COVERED BY THIS APPENDIX.

BILL OF MATERIAL

LUMBER	LINEAR FEET	BOARD FEET
1" X 4"	21.00	7.00
2" X 4"	14.50	9.67
NAILS	NO. REQD	POUNDS
6d (2")	36	0.21
PALLET, 42" X 53"	1 REQD	90 LBS
STEEL STRAPPING, 3/4"	128.50' REQD	11.48 LBS
PLYWOOD, 3/4"	9.97 SQ FT REQD	20.56 LBS
SEAL FOR 3/4" STRAPPING	9 REQD	NIL
METAL EDGE PROTECTOR	12 REQD	NIL
STAPLE	18 REQD	NIL



SIDE FILL ASSEMBLY
(2 REQD)



FILLER ASSEMBLY
(FOR MINUS ONE BOX)