

APPENDIX 53

UNITIZATION PROCEDURES FOR BOXED AMMUNITION AND COMPONENTS ON 4-WAY ENTRY PALLETS

CHARGE, SPOTTING, BOMB, PACKED 36 PER FIBERBOARD
BOX, UNITIZED 40 BOXES PER 40" X 48" PALLET;
APPROX BOX SIZE 22" L X 8" W X 8 $\frac{1}{4}$ " H

| PALLET UNIT DATA | | | | | | |
|----------------------|--------|-----------------------|-------------|-------------|---------------|-----------------|
| ITEMS INCLUDED | | HAZARD CLASSIFICATION | | | | WEIGHT (LBS) |
| NSN | DOD IC | DOT CLASS | CG CLASS | QD CLASS | COMP GROUP | |
| 1325- 00-245-7966 | F546 | C | I | 1.4 | G | 1,171 |

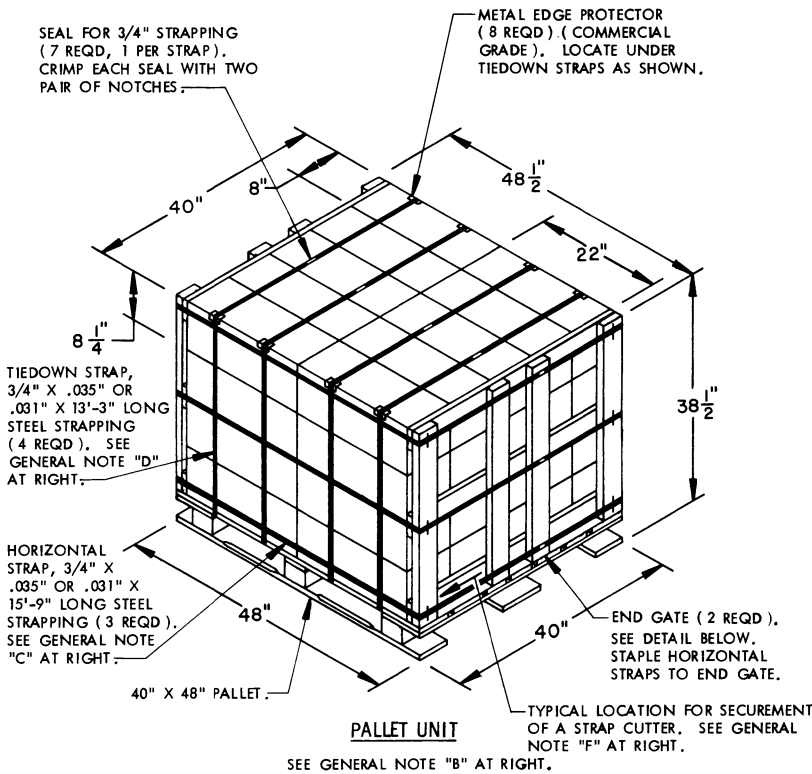
NOTICE: THIS APPENDIX CANNOT STAND ALONE BUT MUST
BE USED IN CONJUNCTION WITH THE BASIC UNITIZATION
PROCEDURES DRAWING 19-48-4116-20PA1002.

| REVISIONS | | | | DRAWN BY <i>WRE/LLW</i> | PROJ ENG <i>WRE/LLW</i> |
|--|--|---------------------|--|-------------------------------|----------------------------|
| | | | | CHECKED <i>[Signature]</i> | LDR ENGRG OFFICE |
| APPROVED, U. S. ARMY ARMAMENT MATERIEL READINESS COMMAND | | | | | |
| | | <i>D. H. Benton</i> | | <i>[Signature]</i> | |
| DRAWN - LEP | | | | | |
| APPROVED BY ORDER OF COMMANDING GENERAL, U. S. ARMY MATERIEL DEVELOPMENT AND READINESS COMMAND (DARCOM) | | | | | |
| U. S. ARMY DEFENSE AMMUNITION CENTER AND SCHOOL | | | | | |
| JUNE 1981 | | | | | |
| | | | | CLASS | DIVISION |
| | | | | DRAWING | FILE |
| | | | | 19 | 48 |
| | | | | 4116/ 53 | 20PA 1002 |

DO NOT SCALE

GENERAL NOTES

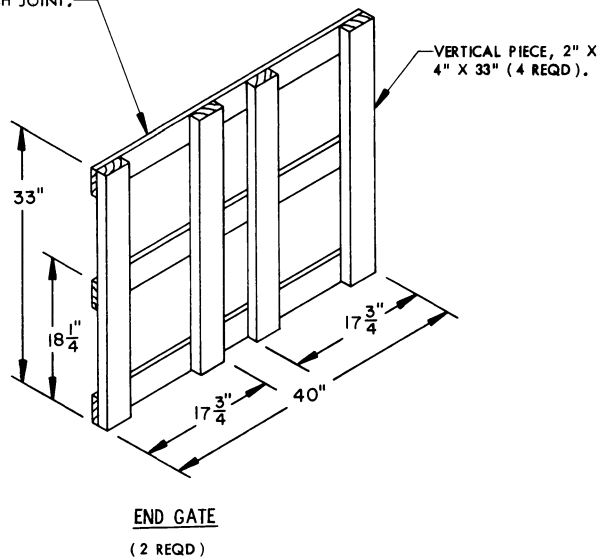
- A. THIS APPENDIX CANNOT STAND ALONE BUT MUST BE USED IN CONJUNCTION WITH THE BASIC UNITIZATION PROCEDURES DRAWING 19-48-4116-20PA1002. TO PRODUCE AN APPROVED UNIT LOAD, ALL PERTINENT PROCEDURES, SPECIFICATIONS AND CRITERIA SET FORTH WITHIN THE BASIC DRAWING WILL APPLY TO THE PROCEDURES DELINEATED IN THIS APPENDIX. ANY EXCEPTIONS TO THE BASIC PROCEDURES ARE SPECIFIED IN THIS APPENDIX.
- B. DIMENSIONS, CUBE AND WEIGHT OF A PALLET UNIT WILL VARY SLIGHTLY DEPENDING UPON THE ACTUAL DIMENSIONS OF THE BOXES AND THE WEIGHT OF THE SPECIFIC ITEM BEING UNITIZED.
- C. INSTALL EACH HORIZONTAL STRAP TO ENIRCLE EACH LAYER OF BOXES ON THE PALLET. HORIZONTAL STRAPS MUST BE TENSIONED AND SEALED PRIOR TO APPLICATION OF TIEDOWN STRAPS.
- D. INSTALL EACH TIEDOWN STRAP TO PASS UNDER THE DECK BOARDS OF THE PALLET AND TO BE LOCATED AS SHOWN. TIEDOWN STRAPS WILL NOT BE APPLIED UNTIL THE HORIZONTAL STRAPS HAVE BEEN TENSIONED AND SEALED.
- E. THE FOLLOWING DARCOM DRAWINGS ARE APPLICABLE FOR OUTLOADING AND STORAGE OF THE ITEMS COVERED BY THIS APPENDIX.
 - CARLOADING ----- DRAWING 19-48-4115-5PA1002
 - TRUCKLOADING ---- DRAWING 19-48-4117-11PA1003
 - STORAGE ----- DRAWING 19-48-4118-1-2-3-4-14-22PA1002
- F. FOR METHOD OF SECURING A STRAP CUTTER TO THE PALLET UNIT, SEE DARCOM DRAWING 19-48-4127-20P1000.
- G. IF ITEMS COVERED HEREIN ARE UNITIZED PRIOR TO ISSUANCE OF THIS APPENDIX, THE BOXES NEED NOT BE REUNITIZED SOLELY TO CONFORM TO THIS APPENDIX.
- H. THE UNITIZATION PROCEDURES DEPICTED HEREIN MAY ALSO BE USED FOR UNITIZING CHARGE, SPOTTING, BOMB, WHEN IDENTIFIED BY DIFFERENT NATIONAL STOCK NUMBERS (NSN) THAN WHAT IS SHOWN ON THE TITLE PAGE, PROVIDED THE BOX PACK DOES NOT VARY FROM WHAT IS DELINEATED HEREIN. THE EXPLOSIVE CLASSIFICATION OF OTHER ITEMS MAY BE DIFFERENT THAN WHAT IS SHOWN.



| | |
|--|----------------------------|
| 40 BOXES OF CHARGE, SPOTTING, BOMB (36 PER BOX) @ 26 LBS ----- | 1,040 LBS (APPROX) |
| DUNNAGE ----- | 51 LBS |
| PALLET ----- | 80 LBS |
| TOTAL WEIGHT ----- | 1,171 LBS (APPROX) |
| CUBE ----- | 43.2 CU FT (APPROX) |

| BILL OF MATERIAL | | |
|-------------------------------|------------------|------------|
| LUMBER | LINEAR FEET | BOARD FEET |
| 1" X 4" | 20.00 | 6.67 |
| 2" X 4" | 22.00 | 14.67 |
| NAILS | NO. REQD | POUNDS |
| 6d (2") | 48 | 0.28 |
| PALLET, 40" X 48" ----- | 1 REQD --- | 80 LBS |
| STEEL STRAPPING, 3/4" ----- | 100.25' REQD --- | 7.16 LBS |
| SEAL FOR 3/4" STRAPPING ----- | 7 REQD --- | NIL |
| STAPLE ----- | 12 REQD --- | NIL |
| METAL EDGE PROTECTOR ----- | 8 REQD --- | NIL |

HORIZONTAL PIECE, 1" X 4" X 40" (3 REQD). NAIL TO THE VERTICAL PIECES W/2-6d NAILS AT EACH JOINT.



LATERAL PIECE, 2" X 4" X BOX WIDTH MINUS 3" (4 REQD). NAIL TO THE VERTICAL PIECES W/2-10d NAILS AT EACH END.

