

APPENDIX 49D

UNITIZATION PROCEDURES FOR BOXED AMMUNITION AND COMPONENTS ON 4-WAY ENTRY PALLETS

**BURSTER, PROJECTILE, PACKED 3 PER WOODEN BOX,
UNITIZED 24 BOXES PER 35" X 45 $\frac{1}{2}$ " PALLET;
APPROX BOX SIZE 33"L X 11 $\frac{3}{8}$ "W X 5 $\frac{7}{8}$ "H**

PALLET UNIT DATA						
ITEMS INCLUDED		HAZARD CLASSIFICATION ①				WEIGHT
NSN	DODIC	DOT CLASS	CG CLASS	QD CLASS	COMP GROUP	(LBS)
1320 00-995-8021	D153	A	X-A	1.1	D	1,343

REVISION

REVISION NO. 1, DATED JANUARY 1986, CONSISTS OF:

1. CHANGING BOX DIMENSIONS.
2. UPDATING DRAWING FORMAT TO CONFORM TO NO. 1 ABOVE.

**NOTICE: THIS APPENDIX CANNOT STAND ALONE BUT MUST BE USED IN
CONJUNCTION WITH THE BASIC UNITIZATION PROCEDURES DRAWING
19-48-4116-20PA1002.**

① HAZARD CLASSIFICATION DATA CONTAINED IN THE ABOVE CHART IS FOR GUIDANCE AND INFORMATIONAL PURPOSES ONLY. VERIFICATION OF THE SPECIFIED DATA SHOULD BE MADE BY CONSULTING THE MOST RECENT JOINT HAZARD CLASSIFICATION SYSTEM LISTING OR OTHER APPROVED LISTING (S).

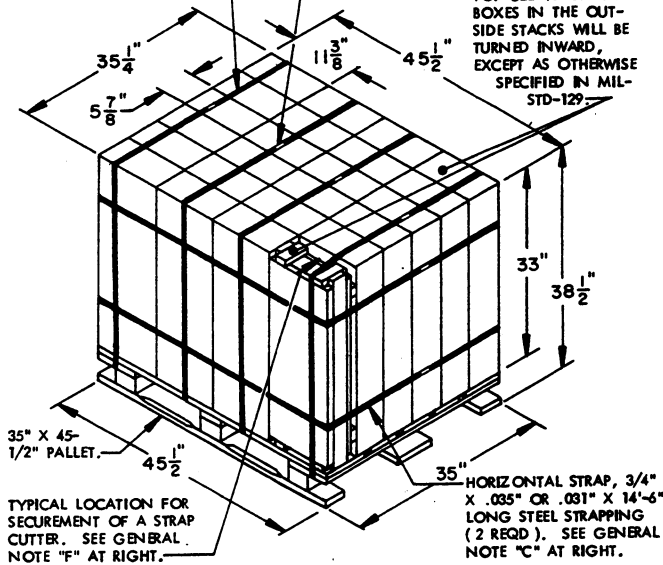
REVISIONS		DRAFTSMAN	PROJ ENG
1	JAN 86	WPK/dh	LAF/WKF
		CHECKER	LOG ENGRG OFFICE
		<i>WPK</i>	<i>WPK</i>
		APPROVED, U.S. ARMY ARMAMENT, MUNITIONS AND CHEMICAL COMMAND	
		<i>William F. Ernst</i>	
		APPROVED BY ORDER OF COMMANDING GENERAL, U.S. ARMY	
		<i>William F. Ernst</i>	
		U.S. ARMY DEFENSE AMMUNITION CENTER AND SCHOOL	
		SEPTEMBER 1985	
		CLASS	DIVISION
		DRAWING	FILE
		19	48
		4116/ 49D	20PA 1002

DO NOT SCALE

TIEDOWN STRAP, 3/4" X .035" OR .031" X 12'-6" LONG STEEL STRAPPING (4 REQD). SEE GENERAL NOTE "D" AT RIGHT.

SEAL FOR 3/4" STRAPPING (6 REQD 1 PER STRAP). CRIMP EACH SEAL WITH TWO PAIR OF NOTCHES.

TOP CLEATS ON THE BOXES IN THE OUTSIDE STACKS WILL BE TURNED INWARD, EXCEPT AS OTHERWISE SPECIFIED IN MIL-STD-129.



GENERAL NOTES

- A. THIS APPENDIX CANNOT STAND ALONE BUT MUST BE USED IN CONJUNCTION WITH THE BASIC UNITIZATION PROCEDURES DRAWING 19-48-4116-20PA1002. TO PRODUCE AN APPROVED UNIT LOAD, ALL PERTINENT PROCEDURES, SPECIFICATIONS AND CRITERIA SET FORTH WITHIN THE BASIC DRAWING WILL APPLY TO THE PROCEDURES DELINEATED IN THIS APPENDIX. ANY EXCEPTIONS TO THE BASIC PROCEDURES ARE SPECIFIED IN THIS APPENDIX.
- B. DIMENSIONS, CUBE AND WEIGHT OF A PALLET UNIT WILL VARY SLIGHTLY DEPENDING UPON THE ACTUAL DIMENSIONS OF THE BOXES AND THE WEIGHT OF THE SPECIFIC ITEM BEING UNITIZED.
- C. INSTALL THE HORIZONTAL STRAPS TO ENIRCLE THE BOXES ON THE PALLET. HORIZONTAL STRAPS MUST BE TENSIONED AND SEALED PRIOR TO APPLICATION OF TIEDOWN STRAPS.
- D. INSTALL EACH TIEDOWN STRAP TO PASS UNDER THE DECK/STRINGER BOARDS OF THE PALLET AND TO BE LOCATED AS SHOWN. TIEDOWN STRAPS WILL NOT BE APPLIED UNTIL THE HORIZONTAL STRAPS HAVE BEEN TENSIONED AND SEALED.
- E. THE FOLLOWING AMC (DARCOM) DRAWINGS ARE APPLICABLE FOR OUTLOADING AND STORAGE OF THE ITEMS COVERED BY THIS APPENDIX.

CARLOADING	-----	DRAWING 19-48-4115-6PA1002
TRUCKLOADING	-----	DRAWING 19-48-4117-11PA1003
STORAGE	-----	DRAWING 19-48-4118-1-2-3-4-14-22PA1002
- F. FOR METHOD OF SECURING A STRAP CUTTER TO THE PALLET UNIT, SEE DARCOM DRAWING 19-48-4127-20P1000.
- G. IF ITEMS COVERED HEREIN ARE UNITIZED PRIOR TO ISSUANCE OF THIS APPENDIX, THE BOXES NEED NOT BE REUNITIZED SOLELY TO CONFORM TO THIS APPENDIX.
- H. THE UNITIZATION PROCEDURES DEPICTED HEREIN MAY ALSO BE USED FOR UNITIZING BURSTERS WHEN IDENTIFIED BY DIFFERENT NATIONAL STOCK NUMBERS (NSN) THAN WHAT IS SHOWN ON THE TITLE PAGE, PROVIDED THE BOX PACK DOES NOT VARY FROM WHAT IS DELINEATED HEREIN. THE EXPLOSIVE CLASSIFICATION OF OTHER ITEMS MAY BE DIFFERENT THAN WHAT IS SHOWN.

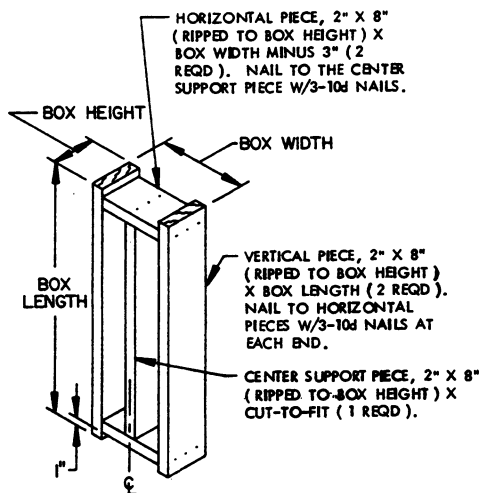
PALLET UNIT

SEE GENERAL NOTE "B" AT RIGHT.

24 BOXES OF BURSTERS (3 PER BOX)	53 LBS	-----	1,272 LBS (APPROX)
DUNNAGE	-----	-----	6 LBS
PALLET	-----	-----	65 LBS
TOTAL WEIGHT		-----	1,343 LBS (APPROX)
CUBE		-----	35.7 CU FT (APPROX)

BILL OF MATERIAL

PALLET, 35" X 45-1/2"	-----	1 REQD	-----	65 LBS
STEEL STRAPPING, 3/4"	-----	79.00' REQD	-----	5.64 LBS
SEAL FOR 3/4" STRAPPING	-----	6 REQD	-----	NIL



FILLER ASSEMBLY

FOR MINUS ONE BOX.