

APPENDIX 49

UNITIZATION PROCEDURES FOR BOXED AMMUNITION AND COMPONENTS ON 4-WAY ENTRY PALLETS

BURSTER, PROJECTILE, M71, PACKED 10 PER WOODEN
BOX, UNITIZED 20 BOXES PER 35" X 45 $\frac{1}{2}$ " PALLET;
APPROX BOX SIZE 25 $\frac{1}{4}$ " L X 15 $\frac{1}{4}$ " W X 7 $\frac{7}{8}$ " H

PALLET UNIT DATA						
ITEMS INCLUDED		HAZARD CLASSIFICATION				WEIGHT (LBS)
NSN	DODIC	DOT CLASS	CG CLASS	OD CLASS	COMP GROUP	
1320-00- 814-8231	D151	A	X-A	7	B	1,432

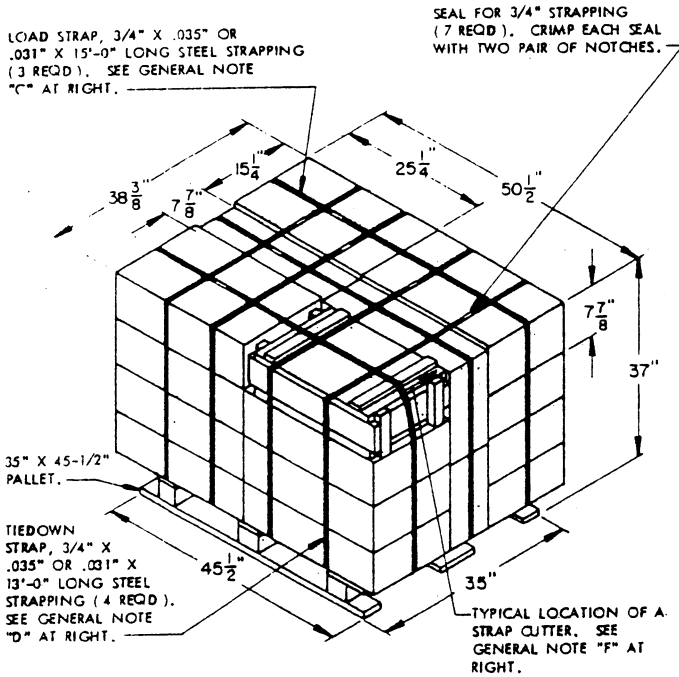
NOTICE: THIS APPENDIX CANNOT STAND ALONE BUT MUST BE
USED IN CONJUNCTION WITH THE BASIC UNITIZATION PROCEDURE
DRAWING 19-48-4116-20PA1002.

REVISIONS				DRAFTSMAN <i>J. H. / m.k. / r.w.</i>	PROJ ENG <i>r.w.</i>
				CHECKER <i>S. J. / r.w.</i>	LOG ENGINE OFFICE <i>r.w.</i>
				APPROVED, U. S. ARMY AMMUNITION MATERIAL READINESS COMMAND	
				<i>Paul Chodera</i>	<i>David C. Fetter</i>
				DDEAR-MAD	DDEAR-TMA
				APPROVED BY ORDER OF COMMANDING GENERAL, U. S. ARMY MATERIAL DEVELOPMENT AND READINESS COMMAND (DARCOM)	
				<i>A. J. Elmer</i>	DARCOM AMMO CENTER
U. S. ARMY DARCOM DRAWING					
APRIL 1977					
				CLASS	DIVISION
				DRAWING	FILE
				19	48
				4116/49	20PA 1002

DO NOT SCALE

GENERAL NOTES

- A. THIS APPENDIX CANNOT STAND ALONE BUT MUST BE USED IN CONJUNCTION WITH THE BASIC UNITIZATION PROCEDURES DRAWING 19-48-4116-20PA1002. TO PRODUCE AN APPROVED UNIT LOAD, ALL PERTINENT PROCEDURES, SPECIFICATIONS AND CRITERIA SET FORTH WITHIN THE BASIC DRAWING WILL APPLY TO THE PROCEDURES DELINEATED IN THIS APPENDIX. ANY EXCEPTIONS TO THE BASIC PROCEDURES ARE SPECIFIED IN THIS APPENDIX.
- B. DIMENSIONS, CUBE AND WEIGHT OF A PALLET UNIT WILL VARY SLIGHTLY DEPENDING UPON THE ACTUAL DIMENSIONS OF THE BOXES AND THE WEIGHT OF THE SPECIFIC ITEM BEING UNITIZED.
- C. THE LOAD STRAPS WILL BE INSTALLED THROUGH THE STRAP SLOT OF A PALLET OR PRE-POSITIONED ON THE PALLET DECK PRIOR TO PLACING BOXES ON THE PALLET. LOAD STRAPS MUST BE TENSIONED AND SEALED PRIOR TO APPLICATION OF TIEDOWN STRAPS.
- D. INSTALL EACH TIEDOWN STRAP TO PASS UNDER THE TOP DECK BOARDS OF THE PALLET AND TO BE LOCATED BETWEEN THE HORIZONTAL TOP CLEATS OF THE BOXES. TIEDOWN STRAPS WILL NOT BE APPLIED UNTIL THE LOAD STRAPS HAVE BEEN TENSIONED AND SEALED.
- E. THE FOLLOWING DARCOM DRAWINGS ARE APPLICABLE FOR OUTLOADING AND STORAGE OF THE ITEMS COVERED BY THIS APPENDIX.
 - CARLOADING ----- DRAWING 19-48-4115-5PA1002
 - TRUCKLOADING ----- DRAWING 19-48-4117-11PA1003
 - STORAGE ----- DRAWING 19-48-4118-1-2-14-22PA1002
- F. FOR METHOD OF SECURING A STRAP CUTTER TO THE PALLET UNIT, SEE DARCOM DRAWING 19-48-4127-20P1000.
- G. IF ITEMS COVERED HEREIN ARE UNITIZED PRIOR TO ISSUANCE OF THIS APPENDIX, THE BOXES NEED NOT BE REUNITIZED SOLELY TO CONFORM TO THIS APPENDIX.
- H. THE UNITIZATION PROCEDURES DEPICTED HEREIN MAY ALSO BE USED FOR UNITIZING BURSTER PROJECTILE WHEN IDENTIFIED BY A DIFFERENT NATIONAL STOCK NUMBER (NSN) THAN THOSE SHOWN ON THE TITLE PAGE, PROVIDED THE BOX PACK DOES NOT VARY FROM THOSE SHOWN HEREIN. THE EXPLOSIVE CLASSIFICATION OF OTHER ITEMS MAY BE DIFFERENT THAN THOSE SHOWN.



PALLET UNIT

SEE GENERAL NOTE "B" AT RIGHT.

20 BOXES OF BURSTER PROJECTILE (10 PER BOX) @ 68 LBS	-----	1,360 LBS (APPROX)
DUNNAGE	-----	7 LBS
PALLET	-----	65 LBS
TOTAL WEIGHT	-----	1,432 LBS (APPROX)
CUBE	-----	41.5 CU FT (APPROX)

BILL OF MATERIAL

PALLET, 35" X 45-1/2"	-----	1 REQD	-----	65 LBS
STEEL STRAPPING, 3/4"	-----	97 REQD	-----	7 LBS
SEAL FOR 3/4" STRAPPING	-----	7 REQD	-----	NIL

