

APPENDIX 45U

UNITIZATION PROCEDURES FOR BOXED AMMUNITION AND COMPONENTS ON 4-WAY ENTRY PALLETS

CARTRIDGE, 105MM, HERA, XM913 AND XM927,
PACKED 2 PER WOODEN BOX, UNITIZED 21 BOXES
PER 40" X 48" PALLET; APPROX BOX SIZE
42-11/16" L X 11-7/8" W X 7-1/2" H

NOTICE: THIS APPENDIX CANNOT STAND ALONE BUT MUST BE USED IN CONJUNCTION WITH
THE BASIC UNITIZATION PROCEDURES DRAWING 19-48-4116-20PA1002.

U.S. ARMY MATERIEL COMMAND DRAWING			
APPROVED, U.S. ARMY ARMAMENT, MUNITIONS AND CHEMICAL COMMAND <i>David A. Piskord</i> SMCAR-ESK	DRAFTSMAN S. VON THUN	TECHNICIAN	ENGINEER S. SCHULTZ
APPROVED BY ORDER OF COMMANDING GENERAL, U.S. ARMY MATERIEL COMMAND <i>William G. Ernst</i> U.S. ARMY DEFENSE AMMUNITION CENTER AND SCHOOL	EVALUATION DIVISION <i>TMM</i>	STORAGE & OUTLOADING DIVISION <i>W. Ericks</i>	LOGISTICS ENGINEERING OFFICE <i>W. Ernst</i>
	CLASS	DIVISION	DRAWING
	19	48	4116/ 45U
			FILE
			20PA 1002

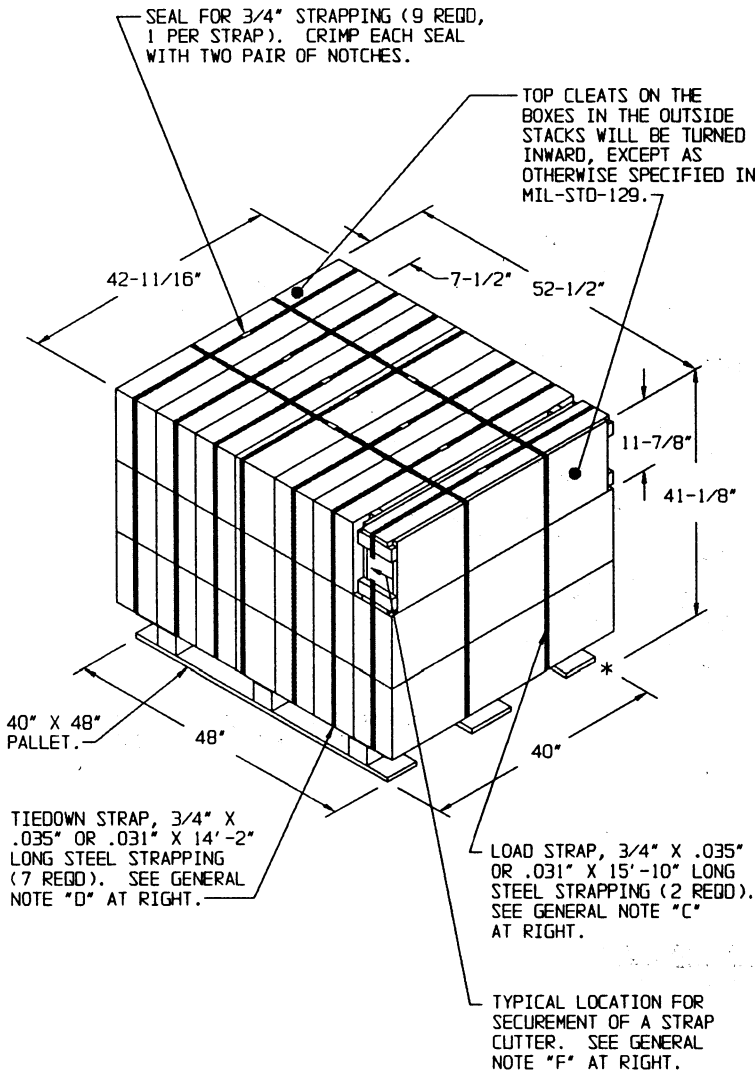
DO NOT SCALE

PALLET UNIT DATA						
ITEMS INCLUDED		HAZARD CLASSIFICATION ●				WEIGHT (LBS)
NSN	DODIC	DOT CLASS	CG CLASS	QD CLASS	COMP GROUP	
UNASSIGNED						2,589

● HAZARD CLASSIFICATION DATA CONTAINED IN THE ABOVE CHART IS FOR GUIDANCE AND INFORMATIONAL PURPOSES ONLY. VERIFICATION OF THE SPECIFIED DATA SHOULD BE MADE BY CONSULTING THE MOST RECENT JOINT HAZARD CLASSIFICATION SYSTEM LISTING OR OTHER APPROVED LISTING(S).

GENERAL NOTES

- A. THIS APPENDIX CANNOT STAND ALONE BUT MUST BE USED IN CONJUNCTION WITH THE BASIC UNITIZATION PROCEDURES DRAWING 19-48-4116-20PA1002. TO PRODUCE AN APPROVED UNIT LOAD, ALL PERTINENT PROCEDURES, SPECIFICATIONS AND CRITERIA SET FORTH WITHIN THE BASIC DRAWING WILL APPLY TO THE PROCEDURES DELINEATED IN THIS APPENDIX. ANY EXCEPTIONS TO THE BASIC PROCEDURES ARE SPECIFIED IN THIS APPENDIX.
- B. DIMENSIONS, CUBE AND WEIGHT OF A PALLET UNIT WILL VARY SLIGHTLY DEPENDING UPON THE ACTUAL DIMENSIONS OF THE BOXES AND THE WEIGHT OF THE SPECIFIC ITEM BEING UNITIZED.
- C. THE LOAD STRAPS MAY BE THREADED THROUGH THE STRAP SLOTS OF A PALLET OR PRE-POSITIONED ON THE PALLET DECK PRIOR TO PLACING BOXES ON THE PALLET. LOAD STRAPS MUST BE TENSIONED AND SEALED PRIOR TO APPLICATION OF TIEDOWN STRAPS.
- D. INSTALL EACH TIEDOWN STRAP TO PASS UNDER THE DECK/STRINGER BOARDS OF THE PALLET AND TO BE LOCATED AS SHOWN. TIEDOWN STRAPS WILL NOT BE APPLIED UNTIL THE LOAD STRAPS HAVE BEEN TENSIONED AND SEALED.
- E. THE FOLLOWING AMC DRAWINGS ARE APPLICABLE FOR OUTLOADING AND STORAGE OF THE ITEMS COVERED BY THIS APPENDIX.
 - CARLOADING - - - 19-48-4115-5PA1002
 - TRUCKLOADING - - - 19-48-4117-11PA1003
 - STORAGE - - - 19-48-4118-1-2-3-4-14-22PA1002
 - COMMERCIAL CONTAINER - - - 19-48-4153-15PA1002
 - MILVAN - - - 19-48-4166-15PA1003
- F. FOR METHOD OF SECURING A STRAP CUTTER TO THE PALLET UNIT, SEE AMC DRAWING 19-48-4127-20P1000.
- G. IF ITEMS COVERED HEREIN ARE UNITIZED PRIOR TO ISSUANCE OF THIS APPENDIX, THE BOXES NEED NOT BE REUNITIZED SOLELY TO CONFORM TO THIS APPENDIX.
- H. THE UNITIZATION PROCEDURES DEPICTED HEREIN MAY ALSO BE USED FOR UNITIZING 105MM CARTRIDGES WHEN IDENTIFIED BY DIFFERENT NATIONAL STOCK NUMBERS (NSN) THAN WHAT IS SHOWN ON PAGE 2, PROVIDED THE BOX PACK DOES NOT VARY FROM WHAT IS DELINEATED HEREIN. THE EXPLOSIVE CLASSIFICATION OF OTHER ITEMS MAY BE DIFFERENT THAN WHAT IS SHOWN.
- J. THE STYLE 1 PALLET DELINEATED IN THE DETAIL AT LEFT NEED NOT HAVE CHAMFERS OR STRAP SLOTS AS SPECIFIED WITHIN MILITARY SPECIFICATION MIL-P-15011 WHEN USED FOR THE UNITIZATION OF ITEMS COVERED BY THIS APPENDIX.

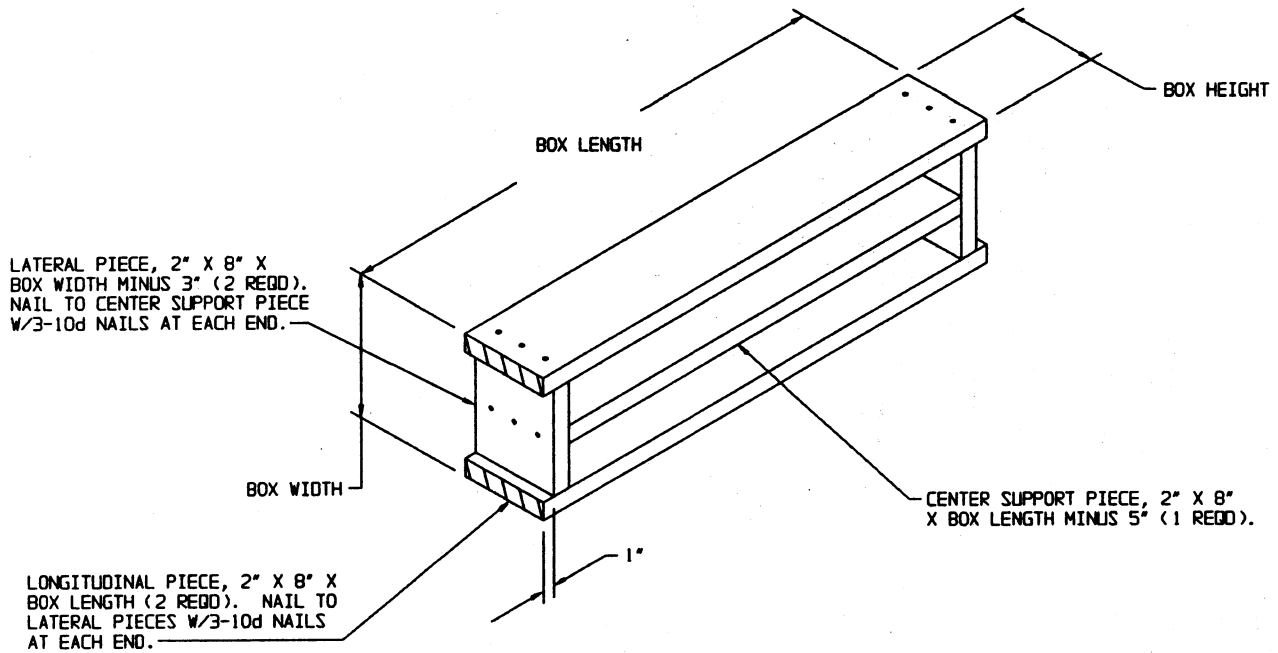


PALLET UNIT

SEE GENERAL NOTE "B" AT RIGHT.

21 BOXES OF 105MM CARTRIDGES (2 PER BOX) @ 119 LBS	--	2,499 LBS (APPROX)
DUNNAGE	--	10 LBS
PALLET	--	80 LBS
TOTAL WEIGHT	--	2,589 LBS (APPROX)
CUBE	--	53.3 CU FT (APPROX)

BILL OF MATERIAL			
PALLET, 40" X 48	--	1 REQD	-- 80 LBS
STEEL STRAPPING, 3/4"	--	130.83' REQD	-- 9.35 LBS
SEAL FOR 3/4" STRAPPING	--	9 REQD	-- NIL



FILLER ASSEMBLY
 (FOR MINUS ONE BOX)