

APPENDIX 45K

UNITIZATION PROCEDURES FOR BOXED AMMUNITION AND COMPONENTS ON 4-WAY ENTRY PALLET

**CARTRIDGE, 105MM, PACKED 2 PER WOODEN
BOX, UNITIZED 15 BOXES PER 35" X 45-1/2"
PALLET; APPROX BOX SIZE 45-3/4" L X
14-1/4" W X 8-3/4" H**

**NOTICE: THIS APPENDIX CANNOT STAND ALONE BUT MUST BE USED IN CONJUNCTION WITH
THE BASIC UNITIZATION PROCEDURES DRAWING 19-48-4116-20PA1002.**

DISTRIBUTION STATEMENT A:

**APPROVED FOR PUBLIC RELEASE;
DISTRIBUTION IS UNLIMITED.**

U.S. ARMY MATERIEL COMMAND DRAWING

<p>APPROVED, U.S. ARMY OPERATIONS SUPPORT COMMAND NH</p> <p style="text-align: center;"><i>David A. Kenyon</i></p> <p style="text-align: center;">AMSTA-AR-WEP-RP</p>	<p>CAUTION: VERIFY PRIOR TO USE AT WWW.DAC.ARMY.MIL/DET THAT THIS IS THE MOST CURRENT VERSION OF THIS DOCUMENT. THIS IS PAGE 1 OF 4.</p>																				
<p style="text-align: center;"><i>William Frerichs</i></p> <p style="text-align: center;">AMSCS-TM</p>	<p>DO NOT SCALE</p>		<p>MARCH 1983</p>																		
<p>APPROVED BY ORDER OF COMMANDING GENERAL, U.S. ARMY MATERIEL COMMAND</p> <p style="text-align: center;"><i>Charles P. Ford</i></p> <p style="text-align: center;">U.S. ARMY DEFENSE AMMUNITION CENTER</p>	<table border="1" style="width: 100%; border-collapse: collapse;"> <tr> <td style="width: 15%;">ENGINEER OR TECHNICIAN</td> <td style="width: 15%;">BASIC REV.</td> <td style="width: 70%;">WILLIAM FRERICHS</td> </tr> <tr> <td></td> <td></td> <td>WALTER GORDON</td> </tr> </table>	ENGINEER OR TECHNICIAN	BASIC REV.	WILLIAM FRERICHS			WALTER GORDON	<table border="1" style="width: 100%; border-collapse: collapse;"> <tr> <td style="width: 50%;">REVISION NO. 1</td> <td style="width: 50%;">NOVEMBER 2002</td> </tr> </table>	REVISION NO. 1	NOVEMBER 2002	<p>SEE THE REVISION LISTING ON PAGE 2</p>										
ENGINEER OR TECHNICIAN	BASIC REV.	WILLIAM FRERICHS																			
		WALTER GORDON																			
REVISION NO. 1	NOVEMBER 2002																				
<table border="1" style="width: 100%; border-collapse: collapse;"> <tr> <td style="width: 25%;">TRANSPORTATION ENGINEERING DIVISION</td> <td style="width: 25%;"><i>William R. Frerichs</i></td> <td style="width: 25%;">TESTED</td> <td style="width: 25%;"></td> </tr> <tr> <td>VALIDATION ENGINEERING DIVISION</td> <td><i>Walter Gordon</i></td> <td></td> <td></td> </tr> <tr> <td>ENGINEERING DIRECTORATE</td> <td><i>William R. Frerichs</i></td> <td></td> <td></td> </tr> </table>	TRANSPORTATION ENGINEERING DIVISION	<i>William R. Frerichs</i>	TESTED		VALIDATION ENGINEERING DIVISION	<i>Walter Gordon</i>			ENGINEERING DIRECTORATE	<i>William R. Frerichs</i>			<table border="1" style="width: 100%; border-collapse: collapse;"> <tr> <th>CLASS</th> <th>DIVISION</th> <th>DRAWING</th> <th>FILE</th> </tr> <tr> <td style="text-align: center;">19</td> <td style="text-align: center;">48</td> <td style="text-align: center;">4116/ 45K</td> <td style="text-align: center;">20PA1002</td> </tr> </table>	CLASS	DIVISION	DRAWING	FILE	19	48	4116/ 45K	20PA1002
TRANSPORTATION ENGINEERING DIVISION	<i>William R. Frerichs</i>	TESTED																			
VALIDATION ENGINEERING DIVISION	<i>Walter Gordon</i>																				
ENGINEERING DIRECTORATE	<i>William R. Frerichs</i>																				
CLASS	DIVISION	DRAWING	FILE																		
19	48	4116/ 45K	20PA1002																		

PROJECT FSA 146/45K-75

PALLET UNIT DATA				
ITEMS INCLUDED		● HAZARD CLASS AND DIVISION	● COMPAT-ABILITY GROUP	APPROX WEIGHT LBS
NSN	DODIC			
1315-				
00-058-0579	C508	1. 2. 1	E	2, 063
00-756-2886	C508	1. 2. 1	E	2, 063
00-889-2095	C508	1. 2. 1	E	2, 063
00-926-3989	C508	1. 2. 1	E	2, 063
01-023-7122	C508	1. 2. 1	E	2, 198
01-094-5294	C508	1. 2. 1	E	2, 063
00-965-0713	C511	1. 2. 1	C	2, 063
01-090-0168	C511	1. 2. 1	C	2, 063
01-107-2513	C511	1. 2. 1	C	2, 063
01-161-3683	C511	1. 2. 1	C	2, 063

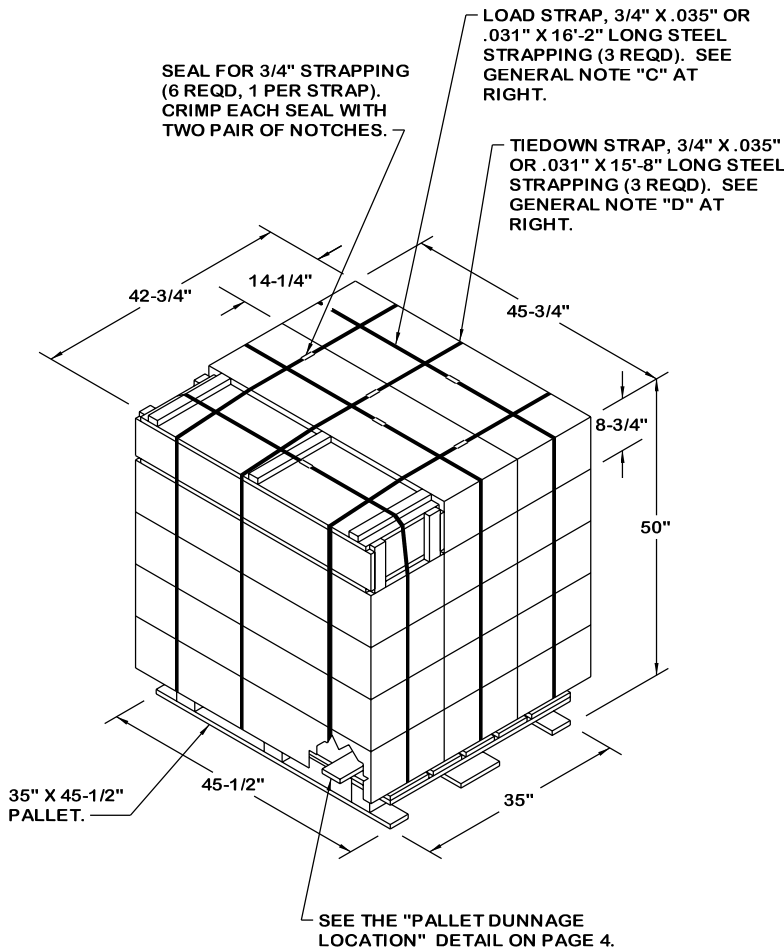
- HAZARD CLASSIFICATION DATA CONTAINED IN THE ABOVE CHART IS FOR GUIDANCE AND INFORMATIONAL PURPOSES ONLY. VERIFICATION OF THE SPECIFIED DATA SHOULD BE MADE BY CONSULTING THE MOST RECENT JOINT HAZARD CLASSIFICATION SYSTEM LISTING OR OTHER APPROVED LISTING(S).

REVISION

REVISION NO. 1, DATED NOVEMBER 2002, CONSISTS OF:

1. ADDING ITEMS BY NATIONAL STOCK NUMBER (NSN) TO THE "PALLET UNIT DATA" CHART.
2. DELETING ITEMS BY NATIONAL STOCK NUMBER (NSN) FROM THE "PALLET UNIT DATA" CHART.
3. CHANGING ALL THE NATIONAL STOCK NUMBERS IN THE "PALLET UNIT DATA" CHART TO REFLECT A PACKAGE GROSS WEIGHT OF 132 LBS, EXCEPT 1315-01-023-7122 WHICH IS 141 LBS.
4. ADDING BOX REFERENCE GENERAL NOTE AND DELETING STRAP CUTTER GENERAL NOTE.
5. UPDATING DRAWING FORMAT.

GENERAL NOTES



PALLET UNIT

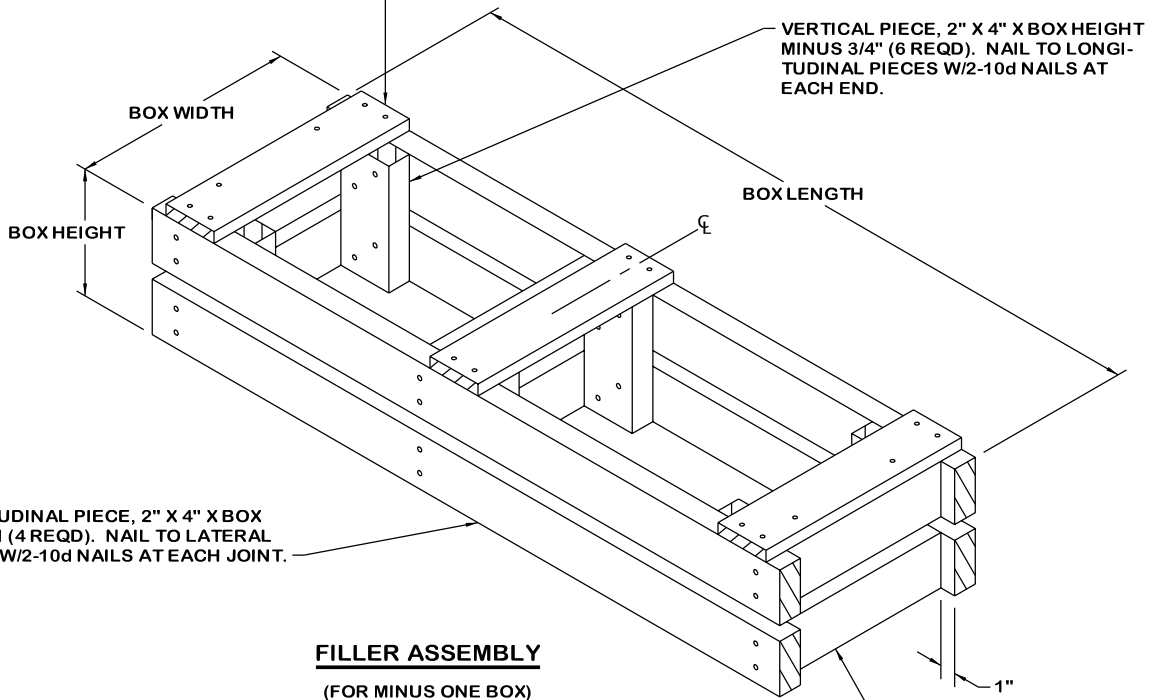
SEE GENERAL NOTE "B" AT RIGHT.

15 BOXES OF 105MM CARTRIDGE (2 PER BOX) @ 141 LBS	--	2,115 LBS (APPROX)
DUNNAGE	-----	18 LBS
PALLET	-----	65 LBS
TOTAL WEIGHT		2,198 LBS (APPROX)
CUBE		56.6 CU FT (APPROX)

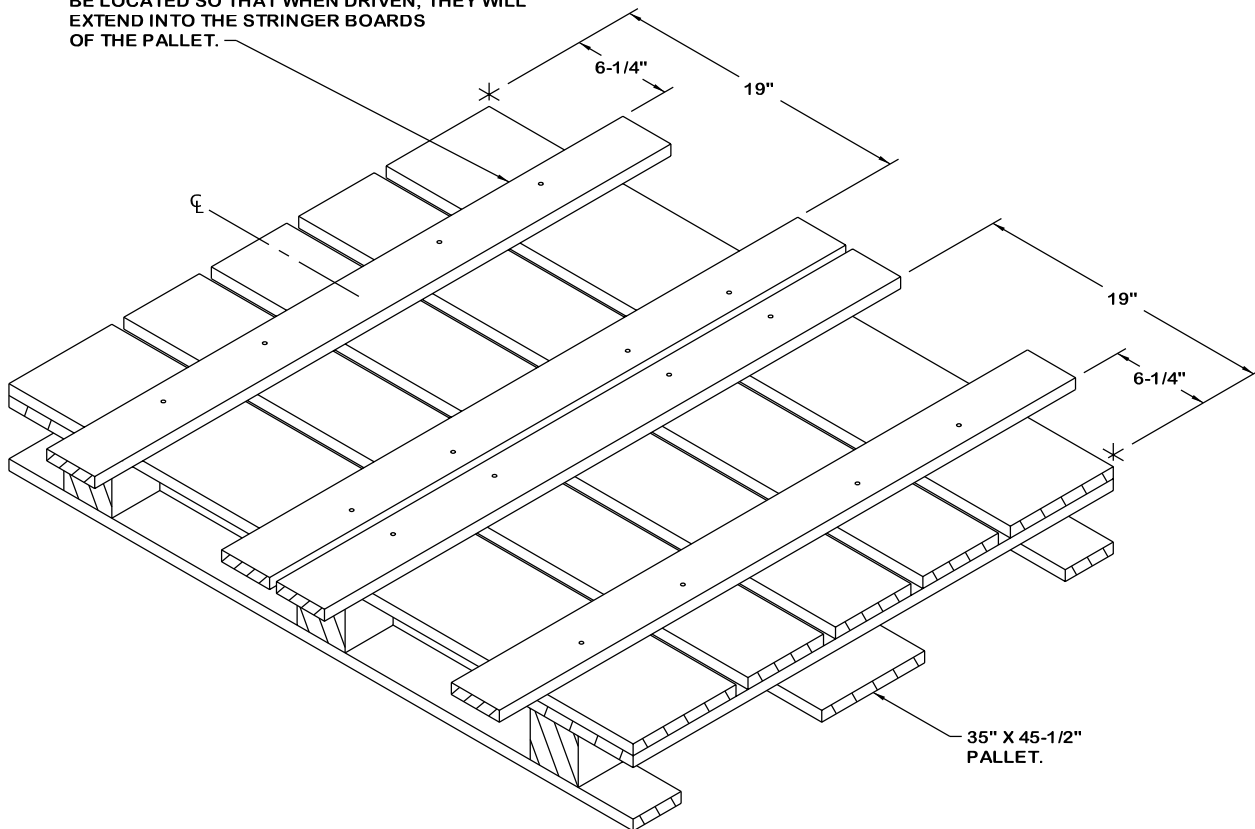
BILL OF MATERIAL		
LUMBER	LINEAR FEET	BOARD FEET
1" X 4"	14.00	4.67
NAILS	NO. REQD	POUNDS
6d (2")	16	0.09
PALLET, 35" X 45-1/2"	----- 1 REQD	----- 65 LBS
STEEL STRAPPING, 3/4"	----- 95.50 REQD	----- 8.53 LBS
SEAL FOR 3/4" STRAPPING	----- 6 REQD	----- NIL

- A. THIS APPENDIX CANNOT STAND ALONE BUT MUST BE USED IN CONJUNCTION WITH THE BASIC UNITIZATION PROCEDURES DRAWING 19-48-4116-20PA1002. TO PRODUCE AN APPROVED UNIT LOAD, ALL PERTINENT PROCEDURES, SPECIFICATIONS AND CRITERIA SET FORTH WITHIN THE BASIC DRAWING WILL APPLY TO THE PROCEDURES DELINEATED IN THIS APPENDIX. ANY EXCEPTIONS TO THE BASIC PROCEDURES ARE SPECIFIED IN THIS APPENDIX.
- B. DIMENSIONS, CUBE AND WEIGHT OF A PALLET UNIT WILL VARY SLIGHTLY DEPENDING UPON THE ACTUAL DIMENSIONS OF THE BOXES AND THE WEIGHT OF THE SPECIFIC ITEM BEING UNITIZED.
- C. THE LOAD STRAPS MAY BE INSTALLED THROUGH THE STRAP SLOTS OF A PALLET OR PRE-POSITIONED ON THE PALLET DECK DUNNAGE PRIOR TO PLACING THE BOXES ON THE PALLET.
- D. INSTALL EACH TIEDOWN STRAP TO PASS UNDER THE TOP DECK BOARDS OF THE PALLET AND TO BE LOCATED ON THE BOXES AS SHOWN AND CENTERED ON THE DECK DUNNAGE BOARDS. TIE DOWN STRAPS WILL BE TENSIONED AND SEALED PRIOR TO LOAD STRAPS.
- E. THE FOLLOWING AMC DRAWINGS ARE APPLICABLE FOR OUTLOADING AND STORAGE OF THE ITEMS COVERED BY THIS APPENDIX.
 - CARLOADING - - - - 19-48-4115-5PA1002
 - TRUCKLOADING - - - - 19-48-4117-11PA1003
 - STORAGE - - - - - 19-48-4118-1-2-3-4-14-22PA1002
 - END OPENING ISO CONTAINER - - - - 19-48-4153-15PA1002
 - MILVAN - - - - - 19-48-4166-15PA1003
 - SIDE OPENING ISO CONTAINER - - - - 19-48-4267-15PA1009
- F. IF ITEMS COVERED HEREIN ARE UNITIZED PRIOR TO ISSUANCE OF THIS REVISION TO THIS APPENDIX, THE CONTAINERS NEED NOT BE REUNITIZED SOLELY TO CONFORM TO THIS REVISION.
- G. THE UNITIZATION PROCEDURES DEPICTED HEREIN MAY ALSO BE USED FOR UNITIZING 105MM CARTRIDGES WHEN IDENTIFIED BY DIFFERENT NATIONAL STOCK NUMBERS THAN WHAT IS SHOWN ON PAGE 2, PROVIDED THE BOX PACK DOES NOT VARY FROM WHAT IS DELINEATED HEREIN. THE EXPLOSIVE CLASSIFICATION OF OTHER ITEMS MAY BE DIFFERENT THAN WHAT IS SHOWN.
- H. WHEN THE UNIT LOAD DEPICTED AT LEFT IS TO BE USED FOR UNITIZING MARINE CORPS AMMUNITION, ONE LAYER OF BOXES MUST BE OMITTED, TIEDOWN STRAP LENGTHS MUST BE DECREASED TO 14'-2", AND LOAD STRAP LENGTHS MUST BE DECREASED TO 14'-8". THIS WILL RESULT IN AN OVERALL UNIT HEIGHT OF 41'-1/4", A GROSS UNIT WEIGHT OF 1,765 POUNDS, AND A UNIT CUBE OF 46.7 CUBIC FEET. ADDITIONALLY, THE UNIT MAY BE MODIFIED AS DESCRIBED WHEN BEING SHIPPED BY MILVAN OR ISO INTERMODAL FREIGHT CONTAINER. THE DETERMINATION TO REDUCE THE LOAD BY A LAYER FOR TRANSPORTATION WILL BE MADE BY THE RESPONSIBLE COMMAND AND WILL BE BASED UPON ECONOMICS OF TRANSPORTATION AND HANDLING.
- J. THE STYLE 1A PALLET DELINEATED IN THE DETAIL AT LEFT NEED NOT HAVE CHAMFERS OR STRAP SLOTS AS SPECIFIED WITHIN MILITARY SPECIFICATION MIL-P-15011 WHEN USED FOR THE UNITIZATION OF ITEMS COVERED BY THIS APPENDIX.
- K. ALL DUNNAGE SHALL BE PRESERVATIVE TREATED IN ACCORDANCE WITH GENERAL NOTE "AA" IN THE BASIC PROCEDURES.
- L. FOR DETAILS OF THE MILITARY SPECIFICATION MIL-B-2427 WOODEN BOX, SEE DRAWINGS 9321290 AND 12960979.

TIE PIECE, 1" X 4" X BOX WIDTH
(3 REQD). NAIL TO LONGITUDINAL
PIECES W/2-6d NAILS AT EACH END
AND TO LATERAL PIECE W/2-6d NAILS.



DECK DUNNAGE, 1" X 4" X 42" (4 REQD). NAIL TO THE PALLET W/4-6d NAILS. NOTE: NAILS WILL BE LOCATED SO THAT WHEN DRIVEN, THEY WILL EXTEND INTO THE STRINGER BOARDS OF THE PALLET.



PALLET DUNNAGE LOCATION