

APPENDIX 43F

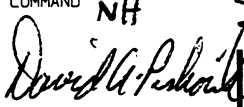
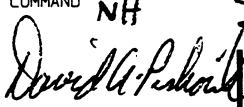
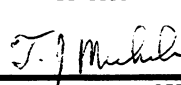
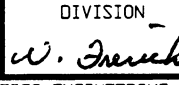

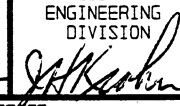


UNITIZATION PROCEDURES FOR BOXED AMMUNITION AND COMPONENTS ON 4-WAY ENTRY PALLETS

CARTRIDGE, 81MM, SABOT, PACKED 3 PER WOODEN
BOX, UNITIZED 48 BOXES PER 40" X 48" PALLET;
APPROX BOX SIZE 23-1/16" L X 14-1/16" W X
6" H

NOTICE: THIS APPENDIX CANNOT STAND ALONE BUT MUST BE USED IN CONJUNCTION WITH
THE BASIC UNITIZATION PROCEDURES DRAWING 19-48-4116-20PA1002.

DISTRIBUTION STATEMENT A.

APPROVED FOR PUBLIC RELEASE;
DISTRIBUTION IS UNLIMITED.

U. S. ARMY MATERIEL COMMAND DRAWING			
APPROVED, U. S. ARMY INDUSTRIAL OPERATIONS COMMAND NH  AMSTA-AR-ESK	DRAFTSMAN ENGINEER BETTY J. KUNDERT SANDRA M. SCHULTZ		
 AMSTA-AR-ESK	 SUPPLY ENGINEERING DIVISION	 TRANSPORTATION ENGINEERING DIVISION	
 AMSIO-TMJ	 VALIDATION ENGINEERING DIVISION		
APPROVED BY ORDER OF COMMANDING GENERAL, U. S. ARMY MATERIEL COMMAND 	LOGISTICS ENGINEERING OFFICE 		
U. S. ARMY DEFENSE AMMUNITION CENTER AND SCHOOL	FEBRUARY 1981		
REVISION NO. 1	MARCH 1986	CLASS	DIVISION
SEE THE REVISION LISTING ON PAGE 2		DRAWING	FILE
		19	48
		4116/ 43F	20PA 1002

DO NOT SCALE

PALLET UNIT DATA				
ITEMS INCLUDED		HAZARD CLASS AND DIVISION ●		APPROX WEIGHT LBS
NSN	DODIC	OD CLASS	COMP GROUP	
1315-00-328-5666	C004	---	---	2,016

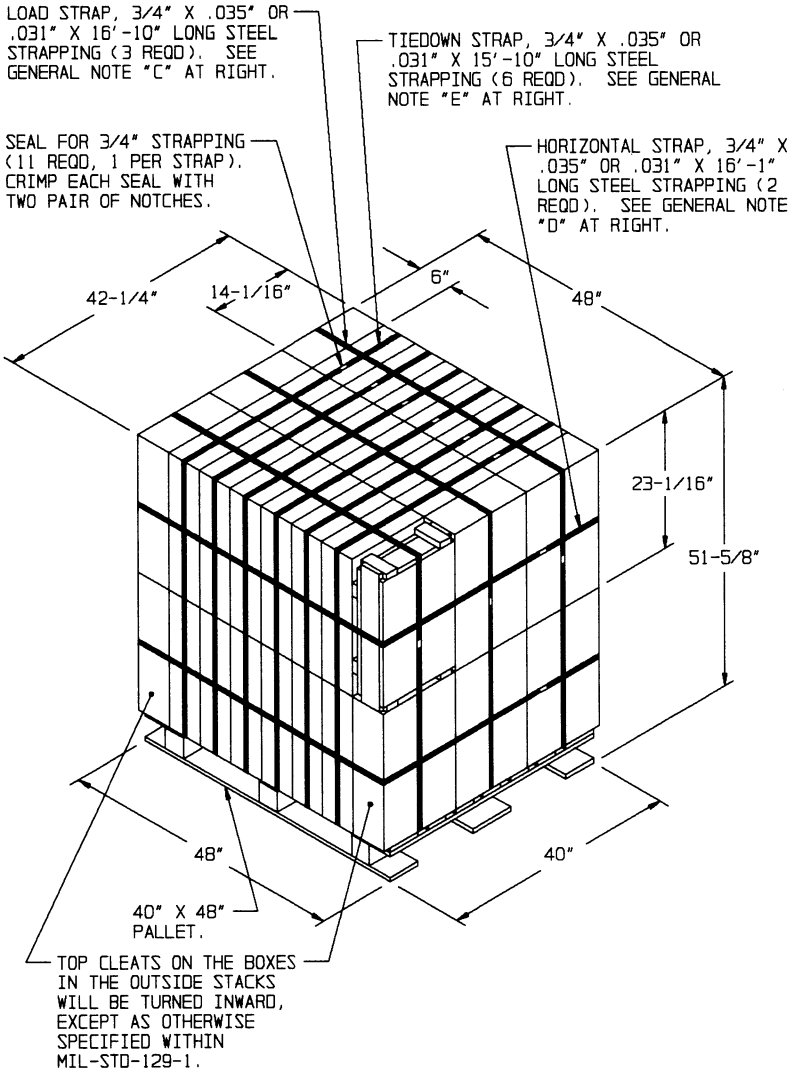
● HAZARD CLASSIFICATION DATA CONTAINED IN THE ABOVE CHART IS FOR GUIDANCE AND INFORMATIONAL PURPOSES ONLY. VERIFICATION OF THE SPECIFIED DATA SHOULD BE MADE BY CONSULTING THE MOST RECENT JOINT HAZARD CLASSIFICATION SYSTEM LISTING OR OTHER APPROVED LISTING(S).

REVISION

REVISION NO. 1, DATED MARCH 1996, CONSISTS OF:

1. CHANGING THE BOX SIZE AND WEIGHT.

GENERAL NOTES



PALLET UNIT

SEE GENERAL NOTE "B" AT RIGHT.

48 BOXES OF 81MM MORTAR SABOT (3 PER BOX) AT 40 LBS	--	1,920 LBS (APPROX)
DUNNAGE	--	16 LBS
PALLET	--	80 LBS

TOTAL WEIGHT	--	2,016 LBS (APPROX)
CUBE	--	60.6 CU FT (APPROX)

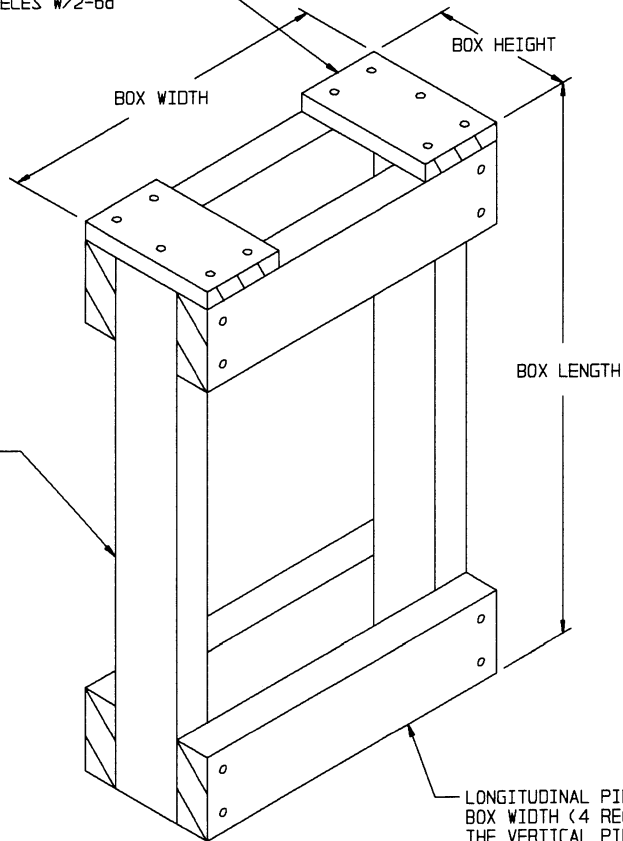
- A. THIS APPENDIX CANNOT STAND ALONE BUT MUST BE USED IN CONJUNCTION WITH THE BASIC UNITIZATION PROCEDURES DRAWING 19-48-4116-20PA1002. TO PRODUCE AN APPROVED UNIT LOAD, ALL PERTINENT PROCEDURES, SPECIFICATIONS AND CRITERIA SET FORTH WITHIN THE BASIC DRAWING WILL APPLY TO THE PROCEDURES DELINEATED IN THIS APPENDIX. ANY EXCEPTIONS TO THE BASIC PROCEDURES ARE SPECIFIED IN THIS APPENDIX.
- B. DIMENSIONS, CUBE AND WEIGHT OF A PALLET UNIT WILL VARY SLIGHTLY DEPENDING UPON THE ACTUAL DIMENSIONS OF THE BOXES AND THE WEIGHT OF THE SPECIFIC ITEM BEING UNITIZED.
- C. THE LOAD STRAPS MAY BE THREADED THROUGH THE STRAP SLOTS OF A PALLET OR PRE-POSITIONED ON THE PALLET DECK PRIOR TO PLACING BOXES ON THE PALLET. LOAD STRAPS MUST BE TENSIONED AND SEALED PRIOR TO APPLICATION OF HORIZONTAL STRAPS.
- D. INSTALL EACH HORIZONTAL STRAP TO ENCIRCLE A LAYER OF BOXES ON THE PALLET. HORIZONTAL STRAPS MUST BE TENSIONED AND SEALED PRIOR TO THE APPLICATION OF TIEDOWN STRAPS.
- E. INSTALL EACH TIEDOWN STRAP TO PASS UNDER THE TOP DECK BOARDS OF THE PALLET AND TO BE LOCATED AS SHOWN. TIEDOWN STRAPS WILL NOT BE APPLIED UNTIL THE LOAD STRAPS AND THE HORIZONTAL STRAPS HAVE BEEN TENSIONED AND SEALED.
- F. THE FOLLOWING AMC DRAWINGS ARE APPLICABLE FOR OUTLOADING AND STORAGE OF THE ITEMS COVERED BY THIS APPENDIX.

CARLOADING	----	19-48-4115-5PA1002
TRUCKLOADING	----	19-48-4117-11PA1003
STORAGE	----	19-48-4118-1-2-3-4-14-22PA1002
END OPENING ISO CONTAINER	----	19-48-4153-15PA1002
MILVAN	----	19-48-4166-15PA1003
SIDE OPENING ISO CONTAINER	----	19-48-4267-15PA1009
- G. IF ITEMS COVERED HEREIN ARE UNITIZED PRIOR TO ISSUANCE OF THIS APPENDIX, THE BOXES NEED NOT BE REUNITIZED SOLELY TO CONFORM TO THIS APPENDIX.
- H. THE UNITIZATION PROCEDURES DEPICTED HEREIN MAY ALSO BE USED FOR UNITIZING 81MM MORTAR SABOTS WHEN IDENTIFIED BY DIFFERENT NATIONAL STOCK NUMBERS (NSN) THAN WHAT IS SHOWN ON PAGE 2, PROVIDED THE BOX PACK DOES NOT VARY FROM WHAT IS DELINEATED HEREIN. THE EXPLOSIVE CLASSIFICATION OF OTHER ITEMS MAY BE DIFFERENT THAN WHAT IS SHOWN.
- J. THE STYLE 1 PALLET DELINEATED IN THE DETAIL AT LEFT NEED NOT HAVE CHAMFERS OR STRAP SLOTS AS SPECIFIED WITHIN MILITARY SPECIFICATION MIL-P-15011 WHEN USED FOR THE UNITIZATION OF ITEMS COVERED BY THIS APPENDIX.
- K. FOR DETAILS OF THE WOODEN BOX SEE DRAWING 9329480.

BILL OF MATERIAL

PALLET, 40" X 48"	----	1 REQD	----	80 LBS
STEEL STRAPPING, 3/4"	----	177.67' REQD	----	15.86 LBS
SEAL FOR 3/4" STRAPPING	----	11 REQD	----	NIL

TIE PIECE, 1" X 4" X BOX HEIGHT (2 REQD).
NAIL TO THE VERTICAL PIECE W/1-6d NAIL
AND TO THE LONGITUDINAL PIECES W/2-6d
NAILS AT EACH END.



VERTICAL PIECE, 2" X 4"
(RIPPED TO 3") X BOX
LENGTH MINUS 3/4"
(2 REQD).

LONGITUDINAL PIECE, 2" X 4" X
BOX WIDTH (4 REQD). NAIL TO
THE VERTICAL PIECES W/2-10d
NAILS AT EACH END.

FILLER ASSEMBLY
(FOR MINUS ONE BOX)