

APPENDIX 39C

UNITIZATION PROCEDURES FOR BOXED AMMUNITION AND COMPONENTS ON 4-WAY ENTRY PALLETS

SABOT, 4.2 INCH, PRACTICE, XM4, PACKED 3
PER WOODEN BOX, UNITIZED 12 BOXES PER
35" X 45½" PALLET; APPROX BOX SIZE
26⅛" L X 19⅞" W X 7⅞" H

PALLET UNIT DATA						
ITEMS INCLUDED		HAZARD CLASSIFICATION				WEIGHT (LBS)
NSN	DODIC	DOT CLASS	CG CLASS	QD CLASS	COMP GROUP	
UNASSIGNED		INERT				1,167

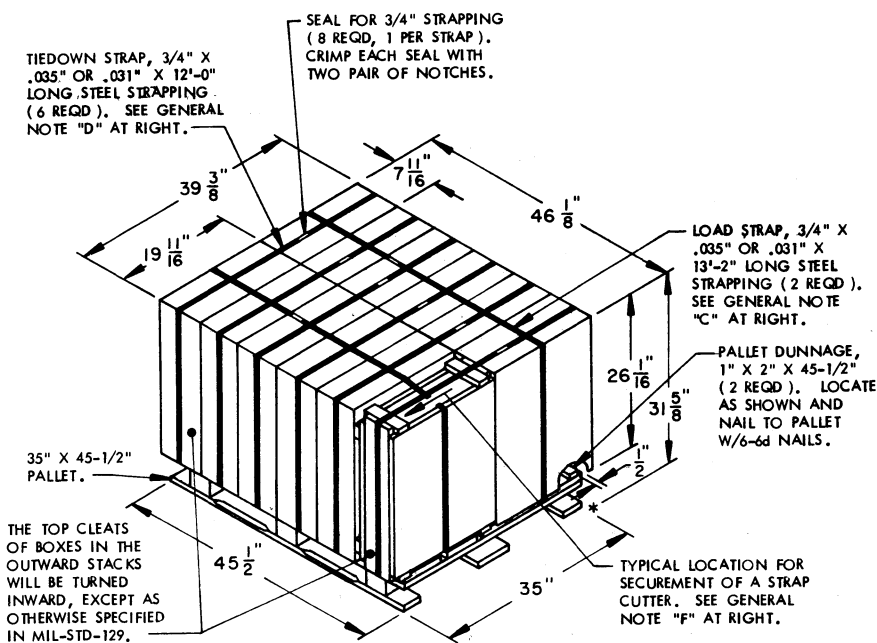
NOTICE: THIS APPENDIX CANNOT STAND ALONE BUT MUST
BE USED IN CONJUNCTION WITH THE BASIC UNITIZATION
PROCEDURES DRAWING 19-48-4116-20PA1002.

REVISIONS				DRAFTSMAN	PROJECT
				J6	bh
				CHKR	RAR/RLW
				626	LOG ENGRG OFFICE
					W&Cmt
APPROVED, U.S. ARMY ARMAMENT, MUNITIONS AND CHEMICAL COMMAND					
				<i>J. Martin</i>	<i>B. O. Graham</i>
APPROVED BY ORDER OF COMMANDING GENERAL, U.S. ARMY MATERIEL DEVELOPMENT AND READINESS COMMAND (DARCOM)					
<i>John L. Boyd</i>					
U.S. ARMY DEFENSE AMMUNITION CENTER AND SCHOOL					
U. S. ARMY DARCOM DRAWING					
APRIL 1984					
	CLASS	DIVISION	DRAWING	FILE	
	19	48	4116/ 39C	20 PA 1002	

DO NOT SCALE

GENERAL NOTES

- A. THIS APPENDIX CANNOT STAND ALONE BUT MUST BE USED IN CONJUNCTION WITH THE BASIC UNITIZATION PROCEDURES DRAWING 19-48-4116-20PA1002. TO PRODUCE AN APPROVED UNIT LOAD, ALL PERTINENT PROCEDURES, SPECIFICATIONS AND CRITERIA SET FORTH WITHIN THE BASIC DRAWING WILL APPLY TO THE PROCEDURES DELINEATED IN THIS APPENDIX. ANY EXCEPTIONS TO THE BASIC PROCEDURES ARE SPECIFIED IN THIS APPENDIX.
- B. DIMENSIONS, CUBE AND WEIGHT OF A PALLET UNIT WILL VARY SLIGHTLY DEPENDING UPON THE ACTUAL DIMENSIONS OF THE BOXES AND THE WEIGHT OF THE SPECIFIC ITEM BEING UNITIZED.
- C. THE LOAD STRAPS MAY BE PRE-POSITIONED ON THE PALLET DECK OR THREADED THROUGH THE STRAP SLOTS OF THE PALLET PRIOR TO PLACING BOXES ON THE PALLET. LOAD STRAPS MUST BE TENSIONED AND SEALED PRIOR TO APPLICATION OF TIEDOWN STRAPS.
- D. INSTALL EACH TIEDOWN STRAP TO PASS UNDER THE DECK/STRINGER BOARDS OF THE PALLET AND TO BE LOCATED AS SHOWN. TIEDOWN STRAPS WILL NOT BE APPLIED UNTIL THE LOAD STRAPS HAVE BEEN TENSIONED AND SEALED.
- E. THE FOLLOWING DARCOM DRAWINGS ARE APPLICABLE FOR OUTLOADING AND STORAGE OF THE ITEMS COVERED BY THIS APPENDIX.
 CARLOADING ---DRAWING 19-48-4115-5PA1002
 TRUCKLOADING- DRAWING 19-48-4117-11PA1003
 STORAGE -----DRAWING 19-48-4118-1-2-3-4-14-22PA1002
- F. FOR METHOD OF SECURING A STRAP CUTTER TO THE PALLET UNIT, SEE DARCOM DRAWING 19-48-4127-20P1000.
- G. IF ITEMS COVERED HEREIN ARE UNITIZED PRIOR TO ISSUANCE OF THIS APPENDIX, THE BOXES NEED NOT BE REUNITIZED SOLELY TO CONFORM TO THIS APPENDIX.
- H. THE UNITIZATION PROCEDURES DEPICTED HEREIN MAY ALSO BE USED FOR UNITIZING 4.2 INCH SABOTS WHEN IDENTIFIED BY DIFFERENT NATIONAL STOCK NUMBERS (NSN) THAN WHAT IS SHOWN ON THE TITLE PAGE, PROVIDED THE BOX PACK DOES NOT VARY FROM WHAT IS DELINEATED HEREIN.
- J. THE 39-3/8" LENGTH DIMENSION IS AN EXCEPTION TO THE BASIC PROCEDURES. HOWEVER, THIS EXCEPTION IS NECESSARY FOR THE AMMUNITION PACK COVERED BY THIS APPENDIX TO MOST EFFECTIVELY GET AN ACCEPTABLE COMPACT AND SOUND PALLET UNIT.



PALLET UNIT

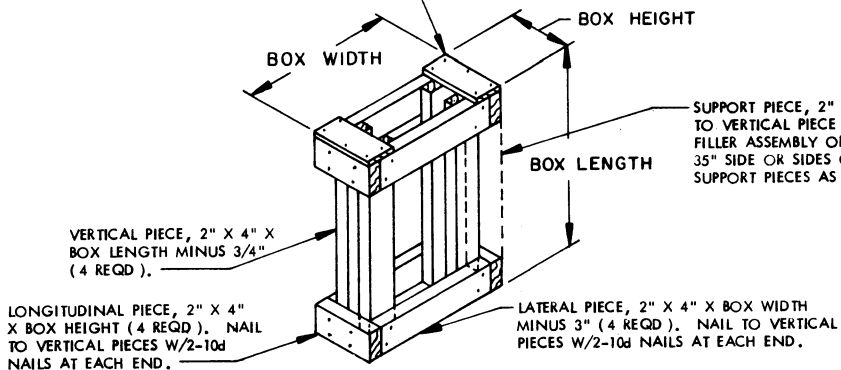
SEE GENERAL NOTE "B" AT RIGHT.

12 BOXES 4.2 INCH SABOT (3 PER BOX) @ 91 LBS ----- 1,092 LBS (APPROX)
 DUNNAGE ----- 10 LBS
 PALLET ----- 65 LBS

TOTAL WEIGHT ----- 1,167 LBS (APPROX)
 CUBE ----- 32.2 CU FT (APPROX)

BILL OF MATERIAL		
LUMBER	LINEAR FEET	BOARD FEET
1" X 2"	5.83	0.97
NAILS	NO. REQD	POUNDS
6d (2")	12	0.07
PALLET, 35" X 45-1/2"	1 REQD	65 LBS
STEEL STRAPPING, 3/4"	98.33' REQD	7.02 LBS
SEAL FOR 3/4" STRAPPING	8 REQD	NIL

TIE PIECE, 1" X 4" X BOX HEIGHT (2 REQD).
 NAIL TO LATERAL PIECES W/1-6d NAIL AT EACH END AND TO LONGITUDINAL PIECE W/3-6d NAILS.



FILLER ASSEMBLY

(FOR MINUS ONE BOX)