

APPENDIX 28Q

UNITIZATION PROCEDURES FOR BOXED AMMUNITION AND COMPONENTS ON 4-WAY ENTRY PALLETS

CARTRIDGE, 60MM, TARGET PRACTICE, PACKED
16 PER WIREBOUND BOX, UNITIZED 42 BOXES
PER 42" X 53" PALLET; APPROX BOX SIZE
27-3/8" L X 12-1/2" W X 6-13/16" H

NOTICE: THIS APPENDIX CANNOT STAND ALONE BUT MUST BE USED IN CONJUNCTION WITH
THE BASIC UNITIZATION PROCEDURES DRAWING 19-48-4116-20PA1002.

DISTRIBUTION STATEMENT A.

APPROVED FOR PUBLIC RELEASE;
DISTRIBUTION IS UNLIMITED.

U.S. ARMY MATERIEL COMMAND DRAWING				
APPROVED, U.S. ARMY ARMAMENT, MUNITIONS AND CHEMICAL COMMAND <i>David W. Perovich</i> <i>Timothy Fore</i> SMCAR-ESK AMSMC-TM	DRAFTSMAN	BETTY J. KUNDERT		
	ENGINEER	SANDRA M. SCHULTZ		
	SUPPLY ENGINEERING DIVISION	TRANSPORTATION ENGINEERING DIVISION	VALIDATION ENGINEERING DIVISION	
	<i>J. J. Michel</i>	<i>W. French</i>	<i>J. Keenan</i>	
APPROVED BY ORDER OF COMMANDING GENERAL, U.S. ARMY MATERIEL COMMAND <i>John L. Byrd Jr</i>	LOGISTICS ENGINEERING OFFICE			
	<i>Williams & Ernst</i>			
	JULY 1979			
U.S. ARMY DEFENSE AMMUNITION CENTER AND SCHOOL	CLASS	DIVISION	DRAWING	FILE
REVISION NO. 1	JULY 1994			
SEE THE REVISION LISTING ON PAGE 2	19	48	4116/ 280	20PA 1002

DO NOT SCALE

PALLET UNIT DATA				
ITEMS INCLUDED		HAZARD CLASS AND DIVISION ●		APPROX WEIGHT LBS
NSN	DODIC	OD CLASS	COMP GROUP	
1310-01-216-2706	B645	1.4	C	2,746

- HAZARD CLASSIFICATION DATA CONTAINED IN THE ABOVE CHART IS FOR GUIDANCE AND INFORMATIONAL PURPOSES ONLY. VERIFICATION OF THE SPECIFIED DATA SHOULD BE MADE BY CONSULTING THE MOST RECENT JOINT HAZARD CLASSIFICATION SYSTEM LISTING OR OTHER APPROVED LISTING(S).

REVISION

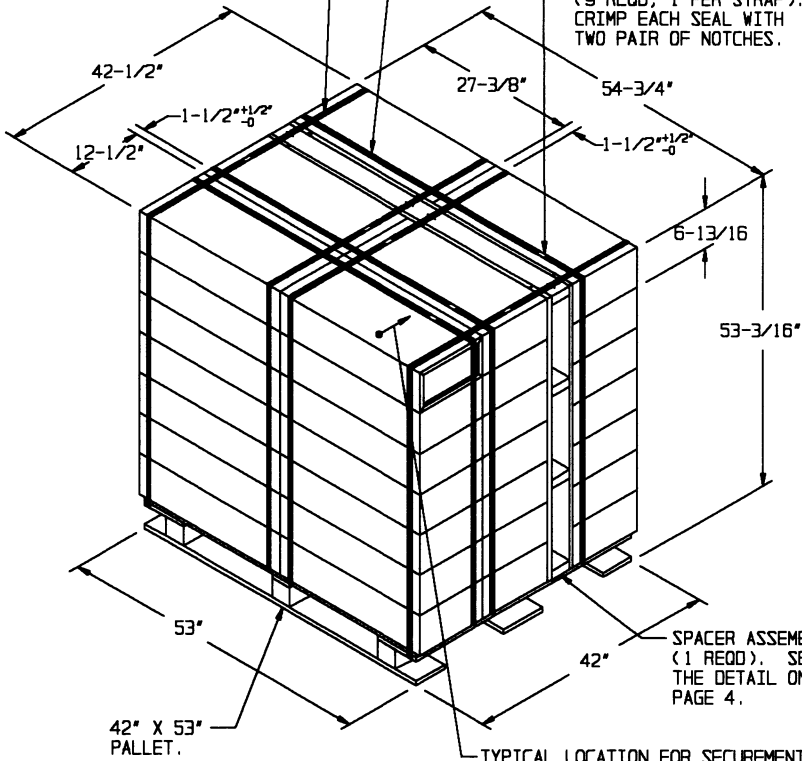
REVISION NO. 1, DATED JULY 1994, CONSISTS OF:

1. CHANGING BOX SIZE.
2. UPDATING PALLET UNIT TO CONFORM TO NUMBER 1 ABOVE.

TIEDOWN STRAP, 3/4" X .035" OR .031" X 16'-2" LONG STEEL STRAPPING (4 REOD). SEE GENERAL NOTE "D" AT RIGHT. STAPLE TO SPACER ASSEMBLY.

LOAD STRAP, 3/4" X .035" OR .031" X 18'-2" LONG STEEL STRAPPING (3 REOD). SEE GENERAL NOTE "C" AT RIGHT.

SEAL FOR 3/4" STRAPPING (9 REOD, 1 PER STRAP). CRIMP EACH SEAL WITH TWO PAIR OF NOTCHES.



PALLET UNIT

SEE GENERAL NOTE "B" AT RIGHT.

42 BOXES OF 60MM CARTRIDGE (16 PER BOX) AT 62 LBS	-----	2,604 LBS (APPROX)
DUNNAGE	-----	52 LBS
PALLET	-----	90 LBS

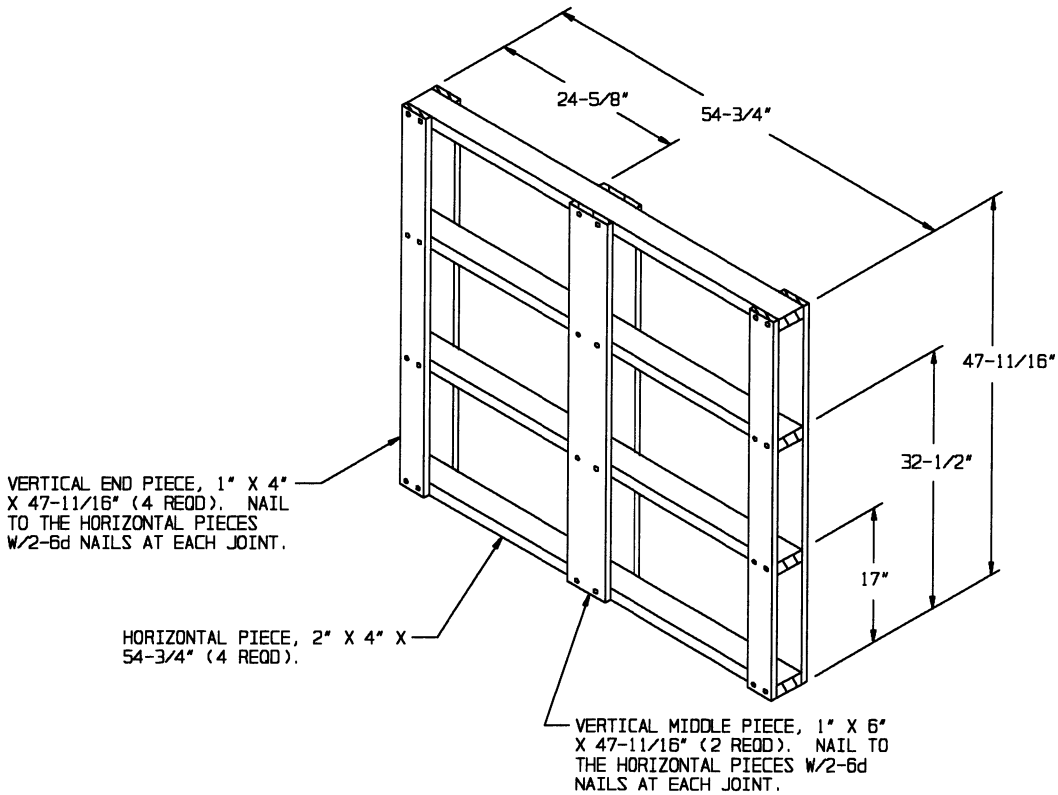
TOTAL WEIGHT	-----	2,746 LBS (APPROX)
CUBE	-----	71.6 CU FT (APPROX)

GENERAL NOTES

- A. THIS APPENDIX CANNOT STAND ALONE BUT MUST BE USED IN CONJUNCTION WITH THE BASIC UNITIZATION PROCEDURES DRAWING 19-48-4116-20PA1002. TO PRODUCE AN APPROVED UNIT LOAD, ALL PERTINENT PROCEDURES, SPECIFICATIONS AND CRITERIA SET FORTH WITHIN THE BASIC DRAWING WILL APPLY TO THE PROCEDURES DELINEATED IN THIS APPENDIX. ANY EXCEPTIONS TO THE BASIC PROCEDURES ARE SPECIFIED IN THIS APPENDIX.
- B. DIMENSIONS, CUBE AND WEIGHT OF A PALLET UNIT WILL VARY SLIGHTLY DEPENDING UPON THE ACTUAL DIMENSIONS OF THE BOXES AND THE WEIGHT OF THE SPECIFIC ITEM BEING UNITIZED.
- C. THE LOAD STRAPS MUST BE PRE-POSITIONED ON THE PALLET DECK PRIOR TO PLACING BOXES ON THE PALLET. NOTE THAT THE LOAD STRAPS WILL BE LOCATED AS SHOWN. LOAD STRAPS MUST BE TENSIONED AND SEALED PRIOR TO APPLICATION OF TIEDOWN STRAPS.
- D. INSTALL EACH TIEDOWN STRAP TO PASS UNDER THE DECK/STRINGER BOARDS OF THE PALLET AND TO BE LOCATED AS SHOWN. NOTE THAT THE STRAPS WILL BE LOCATED AS DIMENSIONED, NEAR THE SIDE CLEATS OF THE END PANELS OF THE BOX. TIEDOWN STRAPS WILL NOT BE APPLIED UNTIL THE LOAD STRAPS HAVE BEEN TENSIONED AND SEALED.
- E. THE FOLLOWING AMC DRAWINGS ARE APPLICABLE FOR OUTLOADING AND STORAGE OF THE ITEMS COVERED BY THIS APPENDIX.
 - CARLOADING - - - - 19-48-4115-SPA1002
 - TRUCKLOADING - - - - 19-48-4117-11PA1003
 - STORAGE - - - - - 19-48-4118-1-2-3-4-14-22PA1002
 - END OPENING ISO CONTAINER - - - - 19-48-4153-15PA1002
 - MILVAN - - - - - 19-48-4166-15PA1003
 - SIDE OPENING ISO CONTAINER - - - - 19-48-4267-15PA1009
- F. FOR METHOD OF SECURING A STRAP CUTTER TO THE PALLET UNIT, SEE AMC DRAWING 19-48-4127-20P1000.
- G. IF ITEMS COVERED HEREIN ARE UNITIZED PRIOR TO ISSUANCE OF THIS APPENDIX, THE BOXES NEED NOT BE REUNITIZED SOLELY TO CONFORM TO THIS APPENDIX.
- H. THE UNITIZATION PROCEDURES DEPICTED HEREIN MAY ALSO BE USED FOR UNITIZING 60MM CARTRIDGES WHEN IDENTIFIED BY DIFFERENT NATIONAL STOCK NUMBERS (NSN) THAN WHAT IS SHOWN ON PAGE 2, PROVIDED THE BOX PACK DOES NOT VARY FROM WHAT IS DELINEATED HEREIN. THE EXPLOSIVE CLASSIFICATION OF OTHER ITEMS MAY BE DIFFERENT THAN WHAT IS SHOWN.
- J. THE STYLE 1B PALLET DELINEATED IN THE DETAIL AT LEFT NEED NOT HAVE CHAMFERS OR STRAP SLOTS AS SPECIFIED WITHIN MILITARY SPECIFICATION MIL-P-15011 WHEN USED FOR THE UNITIZATION OF ITEMS COVERED BY THIS APPENDIX.
- K. ALL DUNNAGE SHALL BE PRESERVATIVE TREATED IN ACCORDANCE WITH GENERAL NOTE "X" IN THE BASIC PROCEDURES.
- L. FOR DETAILS OF THE WIREBOUND BOX SEE ARDEC DRAWING 12960921.

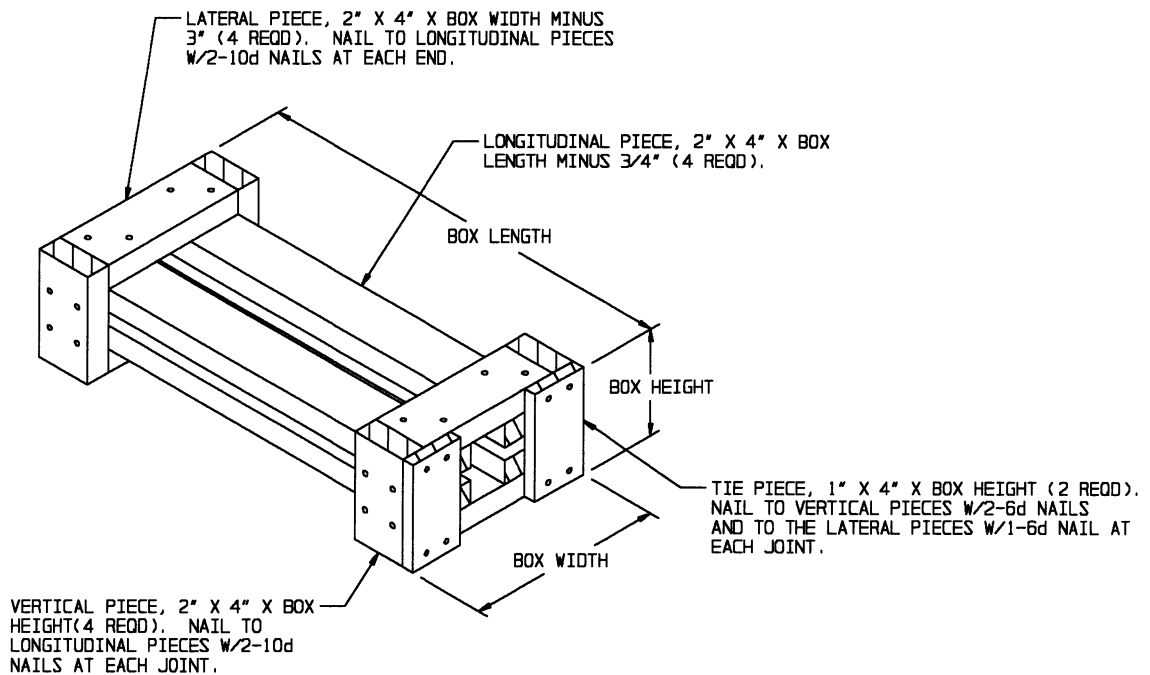
BILL OF MATERIAL

LUMBER	LINEAR FEET	BOARD FEET
1" X 4"	15.90	5.30
1" X 6"	7.95	3.97
2" X 4"	18.25	12.17
NAILS	NO. REOD	POUNDS
6d (2")	56	0.33
PALLET, 42" X 53"	1 REOD	90 LBS
STEEL STRAPPING, 3/4"	119.17' REOD	8.51 LBS
SEAL FOR 3/4" STRAPPING	7 REOD	NIL
STAPLE, 15/16" X 3/4"	4 REOD	NIL



SPACER ASSEMBLY

(1 REQD)



FILLER ASSEMBLY

(FOR MINUS ONE BOX)

POSITION IN A PALLET UNIT WITH THE TIE PIECES ON THE OUTSIDE.