

APPENDIX 26 G

UNITIZATION PROCEDURES FOR BOXED AMMUNITION AND COMPONENTS ON 4-WAY ENTRY PALLETS

CARTRIDGE, 40MM, PACKED 12 OR 24 PER WOODEN
BOX, UNITIZED 24 BOXES PER 40" X 48" PALLET;
APPROX BOX SIZE 22"L X 11 $\frac{7}{8}$ " W X 13 $\frac{3}{8}$ " H

PALLET UNIT DATA						
ITEMS INCLUDED		HAZARD CLASSIFICATION				WEIGHT
NSN	DODIC	DOT CLASS	CG CLASS	QD CLASS	COMP GROUP	(LBS)
1310-						
00-542-0385	B562	A	IV	(04)1.2	E	3,881
00-096-3055	B565	—	—	—	—	3,881
00-096-3056	B565	—	—	—	—	2,297

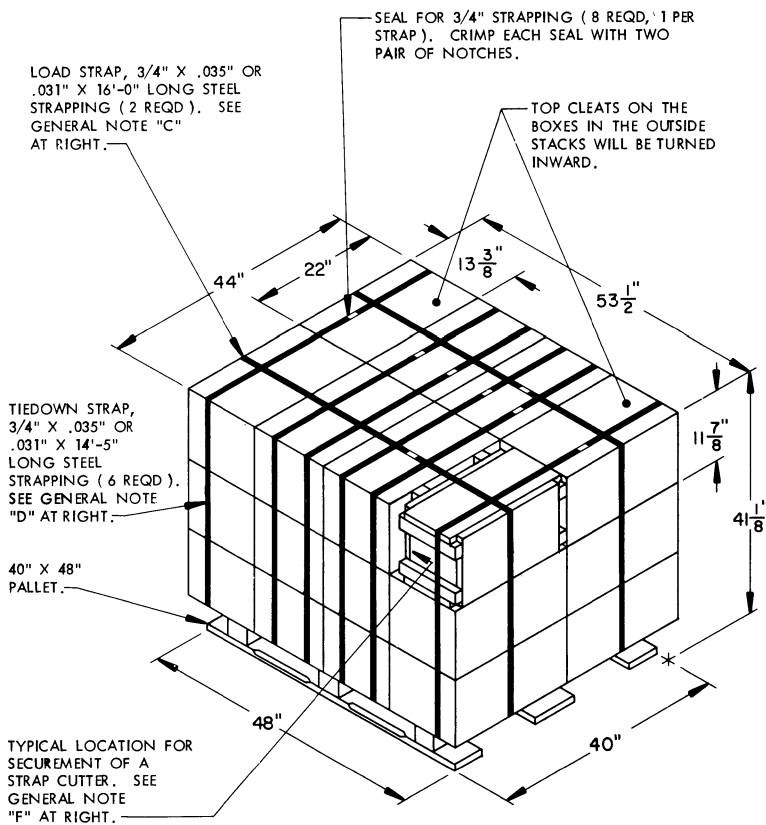
NOTICE: THIS APPENDIX CANNOT STAND ALONE BUT MUST
BE USED IN CONJUNCTION WITH THE BASIC UNITIZATION
PROCEDURES DRAWING 19-48-4116-20PA1002.

REVISIONS				DRAFTSMAN DWG: <i>WRF</i>	PROJ ENG <i>WRF/12/111</i>
				CHECKED <i>GRG</i>	LOG STGNS OFFICE <i>W & Ernst</i>
APPROVED, U. S. ARMY ARMAMENT MATERIAL READINESS COMMAND					
			<i>John Z. Boyd</i>		
			DSEAR - LEP		
APPROVED BY ORDER OF COMMANDING GENERAL, U. S. ARMY MATERIEL DEVELOPMENT AND READINESS COMMAND (DARCOM)					
<i>John Z. Boyd</i>					
U. S. ARMY DARCOM DRAWING					
AUGUST 1981					
CLASS	DIVISION	DRAWING	FILE		
19	48	4116/ 26G	20PA 1002		

DO NOT SCALE

GENERAL NOTES

- A. THIS APPENDIX CANNOT STAND ALONE BUT MUST BE USED IN CONJUNCTION WITH THE BASIC UNITIZATION PROCEDURES DRAWING 19-48-4116-20PA1002. TO PRODUCE AN APPROVED UNIT LOAD, ALL PERTINENT PROCEDURES, SPECIFICATIONS AND CRITERIA SET FORTH WITHIN THE BASIC DRAWING WILL APPLY TO THE PROCEDURES DELINEATED IN THIS APPENDIX. ANY EXCEPTIONS TO THE BASIC PROCEDURES ARE SPECIFIED IN THIS APPENDIX.
- B. DIMENSIONS, CUBE AND WEIGHT OF A PALLET UNIT WILL VARY SLIGHTLY DEPENDING UPON THE ACTUAL DIMENSIONS OF THE BOXES AND THE WEIGHT OF THE SPECIFIC ITEM BEING UNITIZED.
- C. THE LOAD STRAPS MAY BE THREADED THROUGH THE STRAP SLOTS OF A PALLET OR PRE-POSITIONED ON THE PALLET DECK PRIOR TO PLACING BOXES ON THE PALLET. LOAD STRAPS MUST BE TENSIONED AND SEALED PRIOR TO APPLICATION OF TIEDOWN STRAPS.
- D. INSTALL EACH TIEDOWN STRAP TO PASS UNDER THE DECK/STRINGER BOARDS OF THE PALLET AND TO BE LOCATED AS SHOWN. TIEDOWN STRAPS WILL NOT BE APPLIED UNTIL THE LOAD STRAPS HAVE BEEN TENSIONED AND SEALED.
- E. THE FOLLOWING DARCOM DRAWINGS ARE APPLICABLE FOR OUT-LOADING AND STORAGE OF THE ITEMS COVERED BY THIS APPENDIX.
 CARLOADING-----DRAWING NO. 19-48-4115-5PA1002
 TRUCKLOADING ----DRAWING NO. 19-48-4117-11PA1003
 STORAGE-----DRAWING NO. 19-48-4118-1-2-3-4-14-22PA1002.
- F. FOR METHOD OF SECURING A STRAP CUTTER TO THE PALLET UNIT, SEE DARCOM DRAWING 19-48-4127-20P1000.
- G. IF ITEMS COVERED HEREIN ARE UNITIZED PRIOR TO ISSUANCE OF THIS APPENDIX, THE BOXES NEED NOT BE REUNITIZED SOLELY TO CONFORM TO THIS APPENDIX.
- H. THE UNITIZATION PROCEDURES DEPICTED HEREIN MAY ALSO BE USED FOR UNITIZING 40MM CARTRIDGES WHEN IDENTIFIED BY DIFFERENT NATIONAL STOCK NUMBERS (NSN) THAN WHAT IS SHOWN ON THE TITLE PAGE, PROVIDED THE BOX PACK DOES NOT VARY FROM WHAT IS DELINEATED HEREIN. THE EXPLOSIVE CLASSIFICATION OF OTHER ITEMS MAY BE DIFFERENT THAN WHAT IS SHOWN.



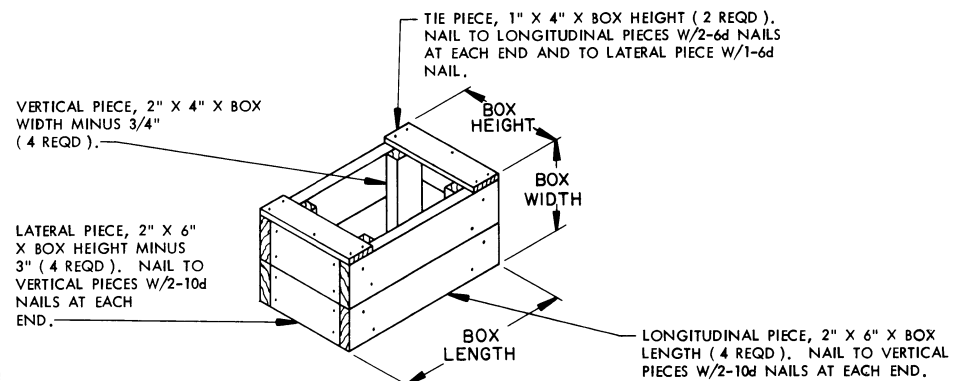
PALLET UNIT

SEE GENERAL NOTE "B" AT RIGHT.

24 BOXES OF 40MM CARTRIDGE (24 PER BOX) @ 158 LBS -----	3,792 LBS (APPROX)
DUNNAGE-----	9 LBS
PALLET-----	80 LBS
TOTAL WEIGHT-----	3,881 LBS (APPROX)
CUBE-----	56.0 CU FT (APPROX)

BILL OF MATERIAL

PALLET, 40" X 48"-----	1 REQD-----	80 LBS
STEEL STRAPPING, 3/4"-----	118.50' REQD-----	8.46 LBS
SEAL FOR 3/4" STRAPPING-----	8 REQD-----	NIL



FILLER ASSEMBLY

(FOR MINUS ONE BOX)