

# APPENDIX 26B

## UNITIZATION PROCEDURES FOR BOXED AMMUNITION AND COMPONENTS ON 4-WAY ENTRY PALLET

**CARTRIDGE, 40MM, PACKED 16 PER METAL BOX,  
UNITIZED 18 BOXES PER 35" X 45-1/2" PALLET;  
APPROX BOX SIZE 22" L X 11-3/4" W X 11-3/4" H**

**NOTICE: THIS APPENDIX CANNOT STAND ALONE BUT MUST BE USED IN CONJUNCTION WITH  
THE BASIC UNITIZATION PROCEDURES DRAWING 19-48-4116-20PA1002.**

**DISTRIBUTION STATEMENT A:**

**APPROVED FOR PUBLIC RELEASE;  
DISTRIBUTION IS UNLIMITED.**

### U.S. ARMY MATERIEL COMMAND DRAWING

APPROVED, U.S. ARMY INDUSTRIAL OPERATIONS COMMAND  <i>David A. Pulonik</i> AMSIA-AR-ESK  APPROVED BY ORDER OF COMMANDING GENERAL, U.S. ARMY MATERIEL COMMAND  <i>William J Ernst</i> U.S. ARMY DEFENSE AMMUNITION CENTER	ENGINEER  TECHNICIAN  DRAFTSMAN  TRANSPORTATION ENGINEERING DIVISION  VALIDATION ENGINEERING DIVISION  LOGISTICS ENGINEERING OFFICE	BASIC REV.  BASIC REV.  BASIC REV.  TESTED	GEORGE FECKE  PATRICK DOUGHERTY  LOUISE HEBELER  <i>William R. Ernie</i>  <i>Jay W Beave</i>  <i>William J Ernst</i>	DO NOT SCALE  WEBSITE: <a href="http://www.dac.army.mil">HTTP://WWW.DAC.ARMY.MIL</a>  JULY 1979  REVISION NO. 3      MARCH 2000  SEE THE REVISION LISTING ON PAGE 2	CLASS 19  DIVISION 48  DRAWING 4116/ 26B  FILE 20PA1002
--	---	---	--	---	--

PALLET UNIT DATA				
ITEMS INCLUDED		● HAZARD CLASS AND DIVISION		APPROX WEIGHT LBS
NSN	DODIC	QD CLASS	COMP GROUP	
1310-				
01-033-8282	B549	(08) 1.2	E	2,158
00-039-1119	B551	(08) 1.2	C	2,158
00-039-1123	B552	(08) 1.2	C	2,158
00-309-4934	B552	(08) 1.2	C	2,158
00-554-0092	B552	(08) 1.2	C	2,158
00-039-1182	B553	(08) 1.2	E	2,158
00-039-1254	B555	(08) 1.2	E	2,158
00-039-1187	B558	(08) 1.2	E	2,158
00-309-4942	B559	(08) 1.2	E	2,158
00-309-4943	B559	(08) 1.2	E	2,158
00-309-4939	B562	(08) 1.2	E	2,158
00-309-4941	B562	(08) 1.2	E	2,158
00-294-2583	B565	INERT		2,158
00-238-6559	B606	(08) 1.2	E	2,158
01-413-7798	BA01	(08) 1.2	E	2,158
01-413-7800	BA02	(08) 1.2	E	2,158

● HAZARD CLASSIFICATION DATA CONTAINED IN THE ABOVE CHART IS FOR GUIDANCE AND INFORMATIONAL PURPOSES ONLY. VERIFICATION OF THE SPECIFIED DATA SHOULD BE MADE BY CONSULTING THE MOST RECENT JOINT HAZARD CLASSIFICATION SYSTEM LISTING OR OTHER APPROVED LISTING(S).

### REVISIONS

REVISION NO. 1, DATED NOVEMBER 1983, CONSISTS OF:

1. ADDING ITEMS BY NATIONAL STOCK NUMBER TO THE "PALLET UNIT DATA" CHART.
2. ADDING HAZARD CLASSIFICATION INFORMATION NOTE.

REVISION NO. 2, DATED MAY 1984, CONSISTS OF:

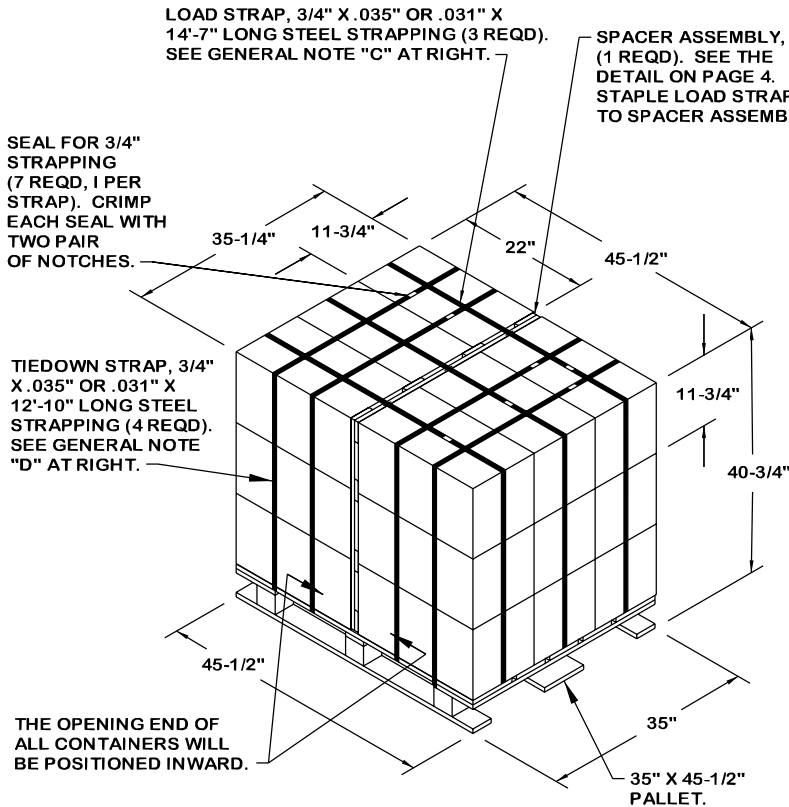
1. ADDING ITEMS BY NATIONAL STOCK NUMBER TO THE "PALLET UNIT DATA" CHART.

REVISION NO. 3, DATED MARCH 2000 CONSISTS OF:

1. ADDING ITEMS BY NATIONAL STOCK NUMBER TO THE "PALLET UNIT DATA" CHART.
2. REVISING TO NEW DRAWING FORMAT.
3. DELETING STRAP CUTTER AND GENERAL NOTE "F".
4. UPDATING AND RE-LETTERING GENERAL NOTES.

**GENERAL NOTES**

- A. THIS APPENDIX CANNOT STAND ALONE BUT MUST BE USED IN CONJUNCTION WITH THE BASIC UNITIZATION PROCEDURES DRAWING 19-48-4116-20PA1002. TO PRODUCE AN APPROVED UNIT LOAD, ALL PERTINENT PROCEDURES, SPECIFICATIONS AND CRITERIA SET FORTH WITHIN THE BASIC DRAWING WILL APPLY TO THE PROCEDURES DELINEATED IN THIS APPENDIX. ANY EXCEPTIONS TO THE BASIC PROCEDURES ARE SPECIFIED IN THIS APPENDIX.
- B. DIMENSIONS, CUBE AND WEIGHT OF A PALLET UNIT WILL VARY SLIGHTLY DEPENDING UPON THE ACTUAL DIMENSIONS OF THE BOXES AND THE WEIGHT OF THE SPECIFIC ITEM BEING UNITIZED.
- C. THE LOAD STRAPS MAY BE THREADED THROUGH THE STRAP SLOTS OF A PALLET OR PRE-POSITIONED ON THE PALLET DECK PRIOR TO PLACING BOXES ON THE PALLET.
- D. INSTALL EACH TIEDOWN STRAP TO PASS UNDER THE TOP DECK BOARDS OF THE PALLET AND TO BE LOCATED AS SHOWN. TIEDOWN STRAPS WILL NOT BE APPLIED UNTIL THE LOAD STRAPS HAVE BEEN TENSIONED AND SEALED.
- E. THE FOLLOWING AMC DRAWINGS ARE APPLICABLE FOR OUTLOADING AND STORAGE OF THE ITEMS COVERED BY THIS APPENDIX.
  - CARLOADING - - - - 19-48-4115-5PA1002
  - TRUCKLOADING - - - - 19-48-4117-11PA1003
  - STORAGE - - - - 19-48-4118-1-2-3-4-14-22PA1002
  - END OPENING ISO CONTAINER - - - - 19-48-4153-15PA1002
  - MILVAN - - - - 19-48-4166-15PA1003
  - SIDE OPENING ISO CONTAINER - - - - 19-48-4267-15PA1009
- F. IF ITEMS COVERED HEREIN ARE UNITIZED PRIOR TO ISSUANCE OF THIS APPENDIX, THE BOXES NEED NOT BE REUNITIZED SOLELY TO CONFORM TO THIS APPENDIX.
- G. THE UNITIZATION PROCEDURES DEPICTED HEREIN MAY ALSO BE USED FOR UNITIZING 40MM CARTRIDGES WHEN IDENTIFIED BY DIFFERENT NATIONAL STOCK NUMBERS (NSN) THAN WHAT IS SHOWN ON PAGE 2, PROVIDED THE BOX PACK DOES NOT VARY FROM WHAT IS DELINEATED HEREIN. THE EXPLOSIVE CLASSIFICATION OF OTHER ITEMS MAY BE DIFFERENT THAN WHAT IS SHOWN.
- H. THE STYLE 1A PALLET DEPICTED IN THE DETAIL AT LEFT NEED NOT HAVE CHAMFERS OR STRAP SLOTS AS SPECIFIED WITHIN MILITARY SPECIFICATION MIL-P-15011 WHEN USED FOR THE UNITIZATION OF ITEMS COVERED BY THIS APPENDIX.

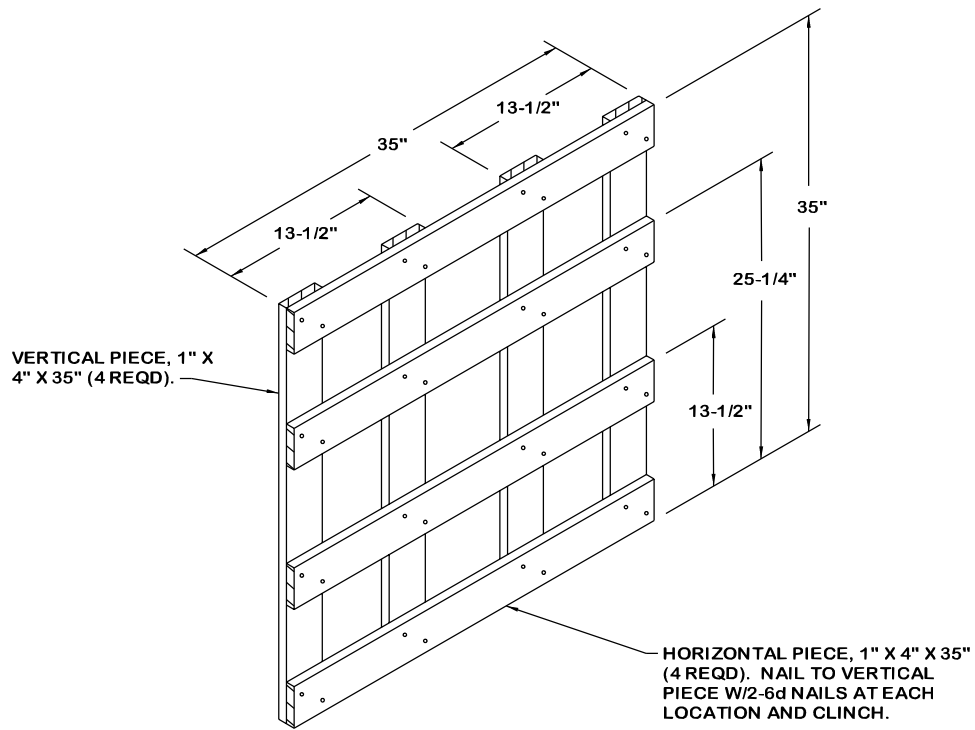


**PALLET UNIT**

SEE GENERAL NOTE "B" AT RIGHT.

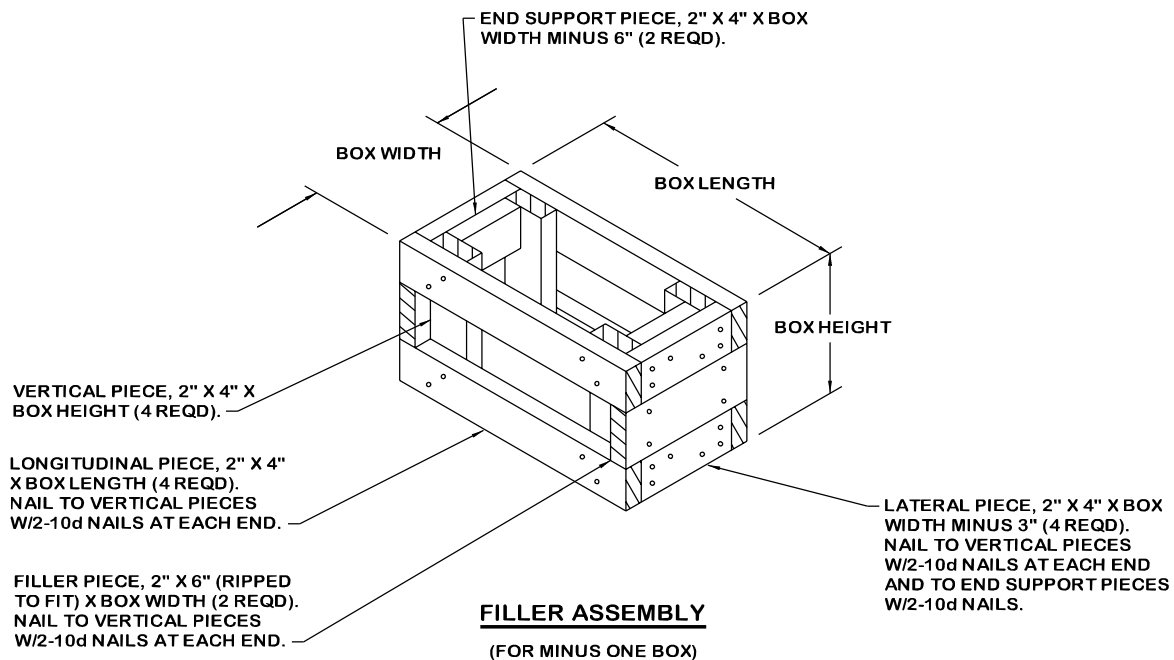
18 BOXES OF 40MM CTG (16 PER BOX) @ 115 LBS	- - - -	2,070 LBS (APPROX)
DUNNAGE	- - - -	23 LBS
PALLET	- - - -	65 LBS
<hr/>		
TOTAL WEIGHT	- - - -	2,158 LBS (APPROX)
CUBE	- - - -	37.8 CU FT (APPROX)

BILL OF MATERIAL		
LUMBER	LINEAR FEET	BOARD FEET
1" X 4"	23.33	7.78
NAILS	NO. REQD	POUNDS
6d (2")	32	0.19
PALLET, 35" X 45-1/2"	- - - - 1 REQD	- - - - 65 LBS
STEEL STRAPPING, 3/4"	- 95.08' REQD	- - - - 6.79 LBS
SEAL FOR 3/4" STRAPPING	- - - 7 REQD	- - - - - NIL
STAPLE	- - - - 3 REQD	- - - - - NIL



**SPACER ASSEMBLY**

(ONE REQD)



**FILLER ASSEMBLY**

(FOR MINUS ONE BOX)