

APPENDIX 26

UNITIZATION PROCEDURES FOR BOXED AMMUNITION AND COMPONENTS ON 4-WAY ENTRY PALLETS

CARTRIDGE, 40 MILLIMETER, PACKED 24 PER WOODEN
BOX, UNITIZED 18 BOXES PER 40" X 48" PALLET;
APPROX BOX SIZE 22" L X 18 $\frac{1}{8}$ " W X 13 $\frac{1}{4}$ " H

PALLET UNIT DATA						
ITEMS INCLUDED		HAZARD CLASSIFICATION ①				WEIGHT (LBS)
NSN	DODIC	DOT CLASS	CG CLASS	QD CLASS	COMP GROUP	
1310-						
00-309-4932	B552	B	II-B	(08) 1.2	C	2,948
00-309-4929	B552	B	II-B	(08) 1.2	C	2,930
00-309-4938	B562	A	IV	(04) 1.2	E	2,966
00-324-1411	B562	A	IV	(04) 1.2	E	2,930

NOTICE: THIS APPENDIX CANNOT STAND ALONE BUT MUST BE USED IN CONJUNCTION WITH THE BASIC UNITIZATION PROCEDURES DRAWING 19-48-4116-20PA1002.

① HAZARD CLASSIFICATION DATA CONTAINED IN THE ABOVE CHART IS FOR GUIDANCE AND INFORMATIONAL PURPOSES ONLY. VERIFICATION OF THE SPECIFIED DATA SHOULD BE MADE BY CONSULTING THE MOST RECENT JOINT HAZARD CLASSIFICATION SYSTEM LISTING OR OTHER APPROVED LISTING(S).

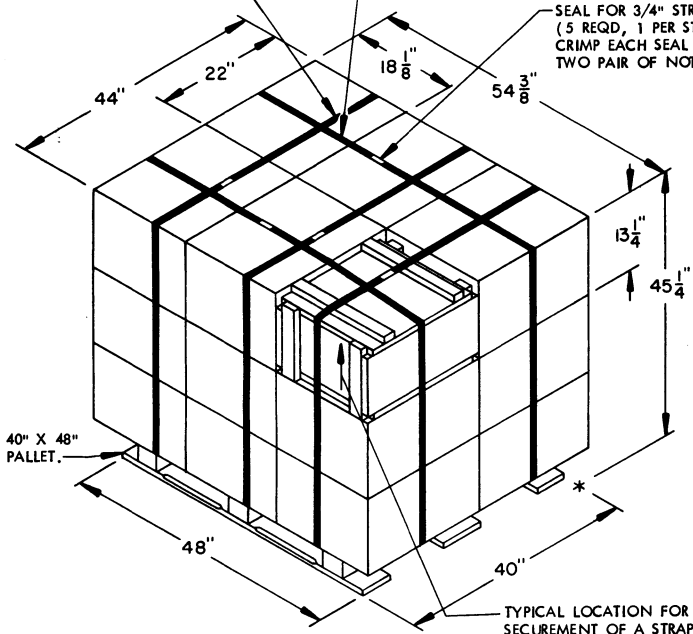
DO NOT SCALE

REVISIONS				DRAFTSMAN <i>GR</i>	PROJ ENG <i>WRF/WRF</i>
				CHECKER <i>GR</i>	LOG ENGRG OFFICE <i>W & Gault</i>
APPROVED, U. S. ARMY ARMAMENT, MUNITIONS AND CHEMICAL COMMAND					
			<i>Heath N. Benton</i> DRSNG - LEF		
			<i>B. J. ...</i> DRSNG - TMD		
APPROVED BY ORDER OF COMMANDING GENERAL, U. S. ARMY MATERIAL DEVELOPMENT AND READINESS COMMAND (DARCOM)					
<i>John Z. ...</i> U. S. ARMY DEFENSE AMMUNITION CENTER AND SCHOOL					
U. S. ARMY DARCOM DRAWING					
NOVEMBER 1983					
				CLASS	DIVISION
				DRAWING	FILE
				19	48
				4116/ 26	20PA 1002

TIEDOWN STRAP, 3/4" X .035" OR .031" X 15'-1" LONG STEEL STRAPPING (3 REQD.). SEE GENERAL NOTE "D" AT RIGHT.

LOAD STRAP, 3/4" X .035" OR .031" X 16'-10" LONG STEEL STRAPPING (2 REQD.). SEE GENERAL NOTE "C" AT RIGHT.

SEAL FOR 3/4" STRAPPING (5 REQD., 1 PER STRAP). CRIMP EACH SEAL WITH TWO PAIR OF NOTCHES.



PALLET UNIT

SEE GENERAL NOTE "B" AT RIGHT.

18 BOXES OF 40MM CARTRIDGE (24 PER BOX) @ 159 LBS	-----	2,862 LBS (APPROX)
DUNNAGE	-----	6 LBS
PALLET	-----	80 LBS
TOTAL WEIGHT	-----	2,948 LBS (APPROX)
CUBE	-----	62.7 CU FT (APPROX)

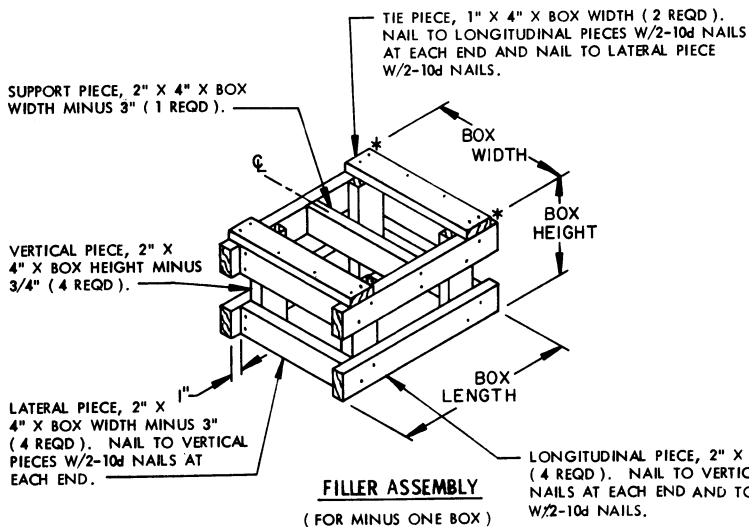
BILL OF MATERIAL

PALLET, 40" X 48" -----	1 REQD -----	80 LBS
STEEL STRAPPING, 3/4" -----	78.92' REQD -----	5.64 LBS
SEAL FOR 3/4" STRAPPING -----	5 REQD -----	NIL

GENERAL NOTES

- A. THIS APPENDIX CANNOT STAND ALONE BUT MUST BE USED IN CONJUNCTION WITH THE BASIC UNITIZATION PROCEDURES DRAWING 19-48-4116-20PA1002. TO PRODUCE AN APPROVED UNIT LOAD, ALL PERTINENT PROCEDURES, SPECIFICATIONS AND CRITERIA SET FORTH WITHIN THE BASIC DRAWING WILL APPLY TO THE PROCEDURES DELINEATED IN THIS APPENDIX. ANY EXCEPTIONS TO THE BASIC PROCEDURES ARE SPECIFIED IN THIS APPENDIX.
- B. DIMENSIONS, CUBE AND WEIGHT OF A PALLET UNIT WILL VARY SLIGHTLY DEPENDING UPON THE ACTUAL DIMENSIONS OF THE BOXES AND THE WEIGHT OF THE SPECIFIC ITEM BEING UNITIZED.
- C. THE LOAD STRAPS MAY BE THREADED THROUGH THE STRAP SLOTS OF A PALLET OR PRE-POSITIONED ON THE PALLET DECK PRIOR TO PLACING BOXES ON THE PALLET. LOAD STRAPS MUST BE TENSIONED AND SEALED PRIOR TO APPLICATION OF TIEDOWN STRAPS.
- D. INSTALL EACH TIEDOWN STRAP TO PASS UNDER THE TOP DECK BOARDS OF THE PALLET AND TO BE LOCATED AS SHOWN. TIEDOWN STRAPS WILL NOT BE APPLIED UNTIL THE LOAD STRAPS HAVE BEEN TENSIONED AND SEALED.
- E. THE FOLLOWING DARCOM DRAWINGS ARE APPLICABLE FOR OUTLOADING AND STORAGE OF THE ITEMS COVERED BY THIS APPENDIX.

CARLOADING -----	DRAWING 19-48-4115-5PA1002
TRUCKLOADING -----	DRAWING 19-48-4117-11PA1003
STORAGE -----	DRAWING 19-48-4118-1-2-3-4-14-22PA1002
- F. FOR METHOD OF SECURING A STRAP CUTTER TO THE PALLET UNIT, SEE DARCOM DRAWING 19-48-4127-20P1000.
- G. IF ITEMS COVERED HEREIN ARE UNITIZED PRIOR TO ISSUANCE OF THIS APPENDIX, THE BOXES NEED NOT BE REUNITIZED SOLELY TO CONFORM TO THIS APPENDIX.
- H. THE UNITIZATION PROCEDURES DEPICTED HEREIN MAY ALSO BE USED FOR UNITIZING 40MM CARTRIDGES WHEN IDENTIFIED BY DIFFERENT NATIONAL STOCK NUMBERS (NSN) THAN WHAT IS SHOWN ON THE TITLE PAGE, PROVIDED THE BOX PACK DOES NOT VARY FROM WHAT IS DELINEATED HEREIN. THE EXPLOSIVE CLASSIFICATION OF OTHER ITEMS MAY BE DIFFERENT THAN WHAT IS SHOWN.
- J. THE WIDTH DIMENSION OF THE PALLET UNIT DEPICTED AT THE LEFT IS AN EXCEPTION TO THE CRITERIA STATED WITH THE BASIC PROCEDURES DRAWING. HOWEVER, THE EXCEPTION IS NECESSARY FOR THE AMMUNITION PACK COVERED BY THIS APPENDIX TO MOST EFFECTIVELY GET AN ACCEPTABLE, COMPACT AND SOUND PALLET UNIT.
- K. WHEN THE UNIT LOAD DEPICTED AT LEFT IS TO BE USED FOR MARINE CORPS AMMUNITION, ONE LAYER OF BOXES MUST BE OMITTED. TIEDOWN STRAP LENGTHS MUST BE DECREASED TO 12'-10", AND LOAD STRAP LENGTHS MUST BE DECREASED TO 14'-7". THIS WILL RESULT IN AN OVERALL UNIT HEIGHT OF 32", A GROSS UNIT WEIGHT OF 1,993 POUNDS, AND A UNIT CUBE OF 44.3 CUBIC FEET. ADDITIONALLY, THE UNIT LOAD MAY BE MODIFIED AS DESCRIBED WHEN BEING SHIPPED BY MILVAN OR COMMERCIAL INTERMODAL FREIGHT CONTAINER, CONVENTIONAL VAN TRAILER OR CONVENTIONAL OR HIGH-CAPACITY BOXCAR. THE DETERMINATION TO REDUCE THE LOAD BY A LAYER FOR TRANSPORTATION WILL BE MADE BY THE RESPONSIBLE COMMAND AND WILL BE BASED UPON ECONOMICS OF TRANSPORTATION AND HANDLING.



FILLER ASSEMBLY

(FOR MINUS ONE BOX)