

APPENDIX 17C

UNITIZATION PROCEDURES FOR BOXED AMMUNITION AND COMPONENTS ON 4-WAY ENTRY PALLET

**CARTRIDGE, 25MM, PACKED 30 PER PA125
METAL BOX, UNITIZED 54 BOXES PER 40" X
48" PALLET; APPROX BOX SIZE 14-11/32" L
X 5-3/4" W X 13-7/8" H**

**NOTICE: THIS APPENDIX CANNOT STAND ALONE BUT MUST BE USED IN CONJUNCTION WITH
THE BASIC UNITIZATION PROCEDURES DRAWING 19-48-4116-20PA1002.**

DISTRIBUTION STATEMENT A:

**APPROVED FOR PUBLIC RELEASE;
DISTRIBUTION IS UNLIMITED.**

U.S. ARMY MATERIEL COMMAND DRAWING

<p>APPROVED, U.S. ARMY OPERATIONS SUPPORT COMMAND <i>WCT</i> <i>David A. Penhock</i> AMSTA-AR-WEP-RP</p>	CAUTION: VERIFY PRIOR TO USE AT WWW.DAC.ARMY.MIL/DET THAT THIS IS THE MOST CURRENT VERSION OF THIS DOCUMENT. THIS IS PAGE 1 OF 4.						
DO NOT SCALE	SEPTEMBER 1993						
<p><i>Paul Aselt</i> AMSDS-TM</p>	ENGINEER OR TECHNICIAN	BASIC REV.	<p>SANDRA SCHULTZ</p> <p>PATRICK DOUGHERTY</p>				
<p>APPROVED BY ORDER OF COMMANDING GENERAL, U.S. ARMY MATERIEL COMMAND</p> <p><i>Charles F. Froo</i> U.S. ARMY DEFENSE AMMUNITION CENTER</p>	TRANSPORTATION ENGINEERING DIVISION	<p><i>Paulina A. Fuffor</i> TESTED</p>	<table border="1" style="width: 100%; border-collapse: collapse;"> <tr> <td style="text-align: center;">REVISION NO. 2</td> <td style="text-align: center;">FEBRUARY 2003</td> </tr> <tr> <td colspan="2" style="text-align: center;">SEE THE REVISION LISTING ON PAGE 2</td> </tr> </table>	REVISION NO. 2	FEBRUARY 2003	SEE THE REVISION LISTING ON PAGE 2	
REVISION NO. 2	FEBRUARY 2003						
SEE THE REVISION LISTING ON PAGE 2							
VALIDATION ENGINEERING DIVISION	<p><i>James Brown</i></p>	CLASS	DIVISION				
ENGINEERING DIRECTORATE	<p><i>William R. Frieel</i></p>	DRAWING	FILE				
	19	48	<p>4116/ 17C</p> <p>20PA1002</p>				

PALLET UNIT DATA				
ITEMS INCLUDED		● HAZARD CLASS AND DIVISION	● COMPAT- ABILITY GROUP	APPROX WEIGHT LBS
NSN	DODIC			
1305-				
01-426-4359	A940	1. 2. 2	C	2, 981
01-396-8360	A967	INERT		3, 089
01-396-7878	A974	1. 2. 2	C	2, 981
01-398-3492	A975	1. 2. 2	E	3, 089
01-400-3115	A976	1. 2. 2	C	3, 089
01-396-8362	A986	1. 2. 2	C	2, 981

- HAZARD CLASSIFICATION DATA CONTAINED IN THE ABOVE CHART IS FOR GUIDANCE AND INFORMATIONAL PURPOSES ONLY. VERIFICATION OF THE SPECIFIED DATA SHOULD BE MADE BY CONSULTING THE MOST RECENT JOINT HAZARD CLASSIFICATION SYSTEM LISTING OR OTHER APPROVED LISTING(S).

REVISIONS

REVISION NO. 1, DATED DECEMBER 1999, CONSISTS OF:

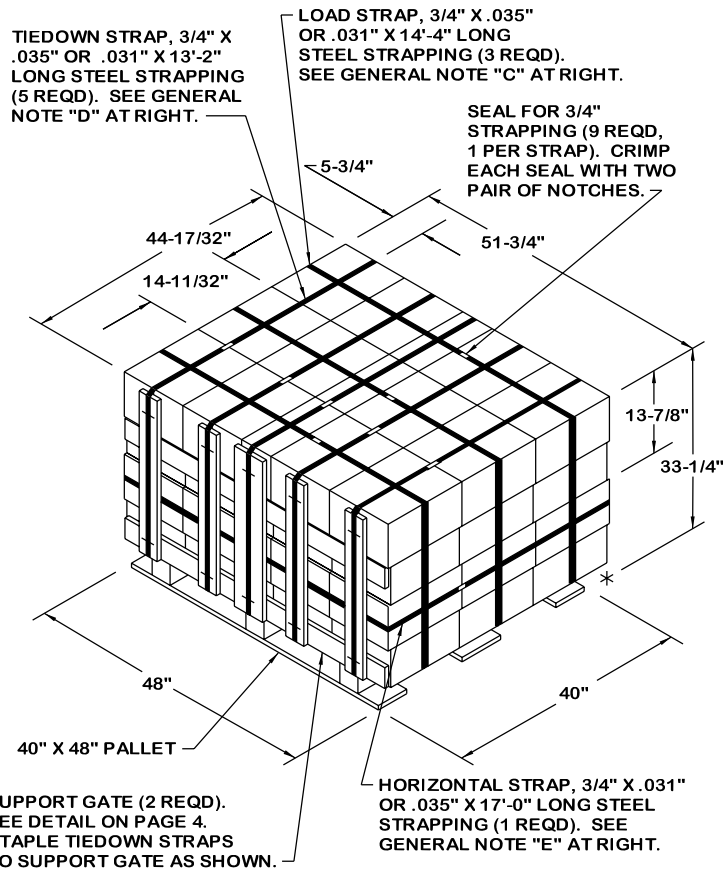
1. ADDING NATIONAL STOCK NUMBERS TO PAGE 2.
2. ADDING A HORIZONTAL STRAP TO THE PALLET UNIT ON PAGE 3 IN ACCORDANCE WITH ECP R9K3001.
3. CHANGING GENERAL NOTES "E" AND "F" AND ADDING GENERAL NOTE "L" ON PAGE 3.

REVISION NO. 2, DATED FEBRUARY 2003, CONSISTS OF:

1. CHANGING GENERAL NOTE "J" ON PAGE 3 IN ACCORDANCE WITH ECP R2K3004.

GENERAL NOTES

- A. THIS APPENDIX CANNOT STAND ALONE BUT MUST BE USED IN CONJUNCTION WITH THE BASIC UNITIZATION PROCEDURES DRAWING 19-48-4116-20PA1002. TO PRODUCE AN APPROVED UNIT LOAD, ALL PERTINENT PROCEDURES, SPECIFICATIONS AND CRITERIA SET FORTH WITHIN THE BASIC DRAWING WILL APPLY TO THE PROCEDURES DELINEATED IN THIS APPENDIX. ANY EXCEPTIONS TO THE BASIC PROCEDURES ARE SPECIFIED IN THIS APPENDIX.
- B. DIMENSIONS, CUBE AND WEIGHT OF A PALLET UNIT WILL VARY SLIGHTLY DEPENDING UPON THE ACTUAL DIMENSIONS OF THE BOXES AND THE WEIGHT OF THE SPECIFIC ITEM BEING UNITIZED.
- C. THE LOAD STRAPS MAY BE THREADED THROUGH THE STRAP SLOTS OF A PALLET OR PRE-POSITIONED ON THE PALLET. LOAD STRAPS MUST BE TENSIONED AND SEALED PRIOR TO APPLICATION OF TIEDOWN STRAPS.
- D. INSTALL EACH TIEDOWN STRAP TO PASS UNDER THE DECK/STRINGER BOARDS OF THE PALLET AND TO BE LOCATED AS SHOWN. TIEDOWN STRAPS WILL NOT BE APPLIED UNTIL THE LOAD STRAPS HAVE BEEN TENSIONED AND SEALED.
- E. THE HORIZONTAL STRAPS SHOULD BE APPLIED FOLLOWING ASSEMBLY OF THE BOTTOM/FIRST LAYER OF CONTAINERS ON THE PALLET. THIS HORIZONTAL STRAP SHALL BE APPLIED PRIOR TO SECURING THE LOAD STRAPS AND THE TWO SUPPORT GATES WITH THE TIEDOWN STRAPS. THE HORIZONTAL STRAP SHALL BE PLACED BETWEEN 3" TO 4-1/2" DOWN FROM THE TOP LAYER OF CANS.
- F. THE FOLLOWING AMC DRAWINGS ARE APPLICABLE FOR OUTLOADING AND STORAGE OF THE ITEMS COVERED BY THIS APPENDIX.
 - CARLOADING - - - - 19-48-4115-5PA1002
 - TRUCKLOADING - - - - 19-48-4117-11PA1003
 - STORAGE - - - - - 19-48-4118-1-2-3-4-14-22PA1002
 - END OPENING ISO CONTAINER - - - - 19-48-4153-15PA1002
 - MILVAN - - - - - 19-48-4166-15PA1003
 - SIDE OPENING ISO CONTAINER - - - - 19-48-4267-15PA1009
- G. IF ITEMS COVERED HEREIN ARE UNITIZED PRIOR TO ISSUANCE OF THIS REVISION TO THIS APPENDIX, THE BOXES NEED NOT BE REUNITIZED SOLELY TO CONFORM TO THIS REVISION.
- H. THE UNITIZATION PROCEDURES DEPICTED HEREIN MAY ALSO BE USED FOR UNITIZING 25MM CARTRIDGES WHEN IDENTIFIED BY DIFFERENT NATIONAL STOCK NUMBERS (NSN) THAN WHAT IS SHOWN ON PAGE 2, PROVIDED THE BOX PACK DOES NOT VARY FROM WHAT IS DELINEATED HEREIN. THE EXPLOSIVE CLASSIFICATION OF OTHER ITEMS MAY BE DIFFERENT THAN WHAT IS SHOWN.
- J. THE STYLE 1 PALLET DELINEATED IN THE DETAIL AT LEFT SHALL HAVE FOUR 3-1/4" NAILS USED IN EACH POST IN A BOX SHAPE PATTERN IN LIEU OF THE THREE 3-1/4" NAILS IN A STAGGERED PATTERN CURRENTLY SPECIFIED IN MIL-P-15011. THE STYLE 1 PALLET DELINEATED IN THE DETAIL AT LEFT NEED NOT HAVE CHAMFERS OR STRAP SLOTS AS SPECIFIED WITHIN MILITARY SPECIFICATION MIL-P-15011 WHEN USED FOR THE UNITIZATION OF ITEMS COVERED BY THIS APPENDIX.
- K. THE 44-17/32" LENGTH DIMENSION IS AN EXCEPTION TO THE BASIC PROCEDURES. HOWEVER, THE EXCEPTION IS NECESSARY FOR THE AMMUNITION PACK COVERED BY THIS APPENDIX TO MOST EFFECTIVELY GET AN ACCEPTABLE, COMPACT AND SOUND PALLET UNIT.
- L. FOR DETAILS OF THE PA125 CONTAINER REFER TO ARDEC DRAWING NO. 12576143.

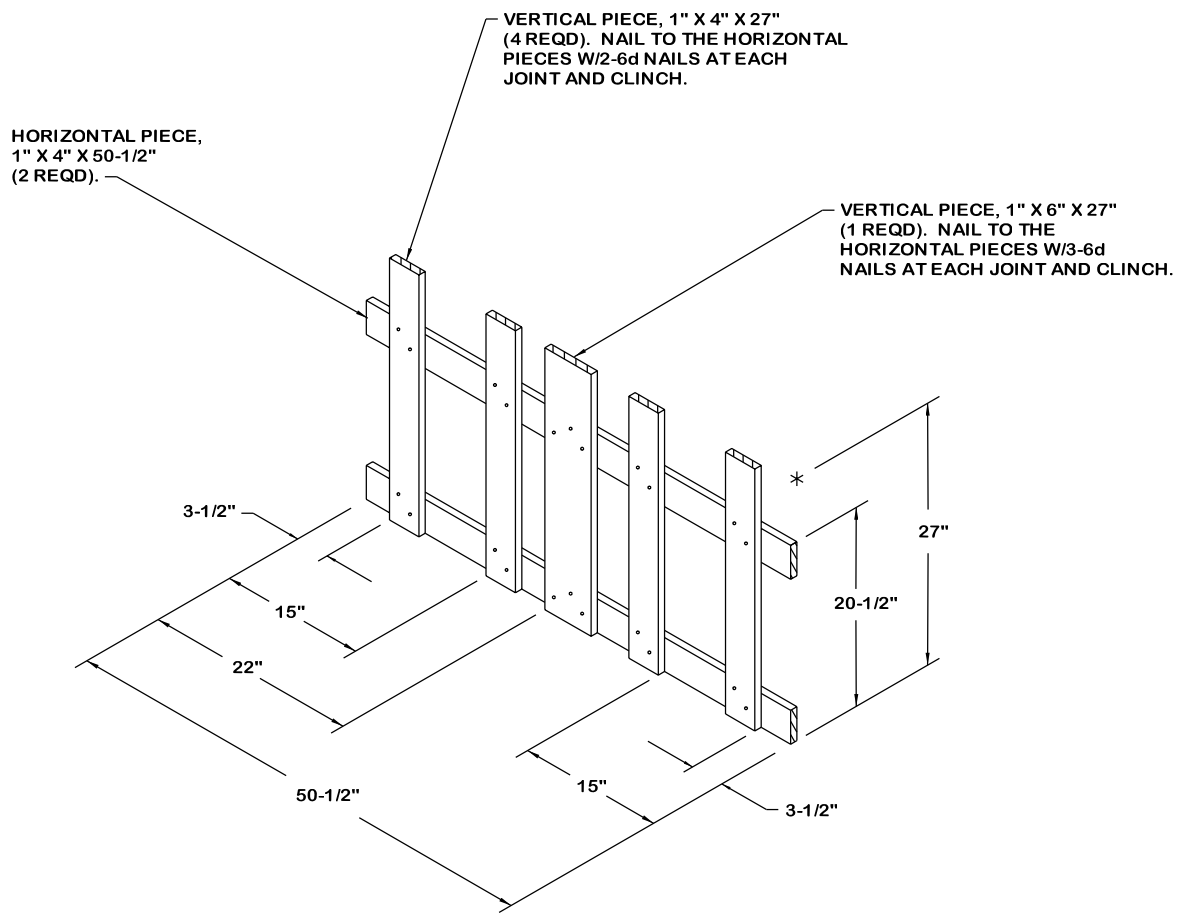


PALLET UNIT

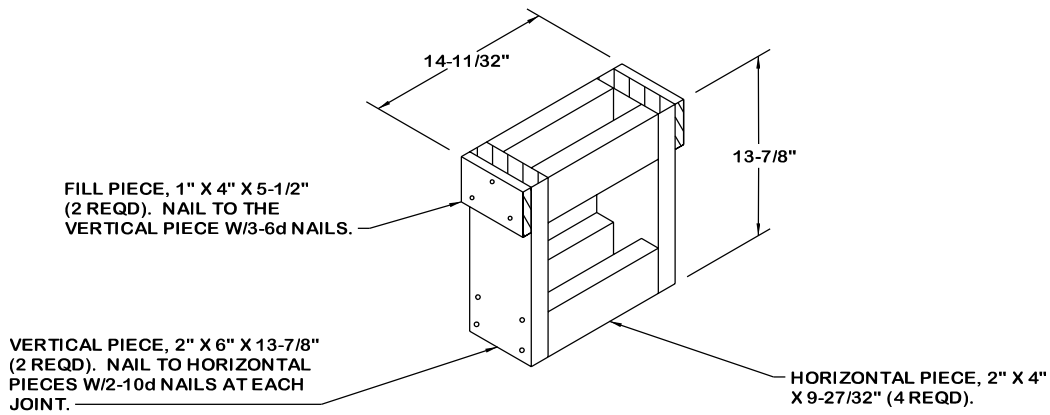
SEE GENERAL NOTE "B" AT RIGHT.

54 BOXES OF 25MM CTG (30 PER BOX) @ 55 LBS	-	2,970 LBS (APPROX)
DUNNAGE	-	39 LBS
PALLET	-	80 LBS
<hr/>		
TOTAL WEIGHT	-	3,089 LBS (APPROX)
CUBE	-	44.3 CU FT (APPROX)

BILL OF MATERIAL		
LUMBER	LINEAR FEET	BOARD FEET
1" X 4"	34.83	11.61
1" X 6"	4.50	2.25
NAILS	NO. REQD	POUNDS
6d (2")	44	0.26
PALLET, 40" X 48" - - - - - 1 REQD - - - - -80 LBS		
STEEL STRAPPING, 3/4" - 125.83' REQD - - - 11.24 LBS		
SEAL FOR 3/4" STRAPPING - - - 9 REQD - - - - - NIL		
STAPLE, 15/16" X 3/4" - - - 20 REQD - - - - - NIL		



SUPPORT GATE
(2 REQD)



FILLER ASSEMBLY
(FOR MINUS ONE BOX)