

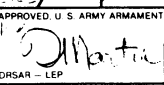
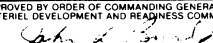
APPENDIX 16A

UNITIZATION PROCEDURES FOR BOXED AMMUNITION AND COMPONENTS ON 4-WAY ENTRY PALLETS

CARTRIDGE, SUBCALIBER, 22MM, PACKED 100 PER
WIREBOUND BOX, UNITIZED 16 BOXES PER 42" X 53"
PALLET; APPROX BOX SIZE 23" L X 21 $\frac{3}{4}$ " W X 13 $\frac{3}{8}$ " H

PALLET UNIT DATA						
ITEMS INCLUDED		HAZARD CLASSIFICATION				WEIGHT (LBS)
NSN	DODIC	DOT CLASS	CG CLASS	QD CLASS	COMP GROUP	
1305-						
00-334-5920	A680	C	II-C	(04)1.2	G	2,020
00-334-5922	A681	C	II-C	(04)1.2	G	2,020
00-334-5934	A682	C	II-C	(04)1.2	G	2,020
00-334-5935	A683	C	II-C	(04)1.2	G	2,020

NOTICE: THIS APPENDIX CANNOT STAND ALONE BUT MUST BE USED IN CONJUNCTION WITH THE BASIC UNITIZATION PROCEDURES DRAWING 19-48-4116-20PA1002.

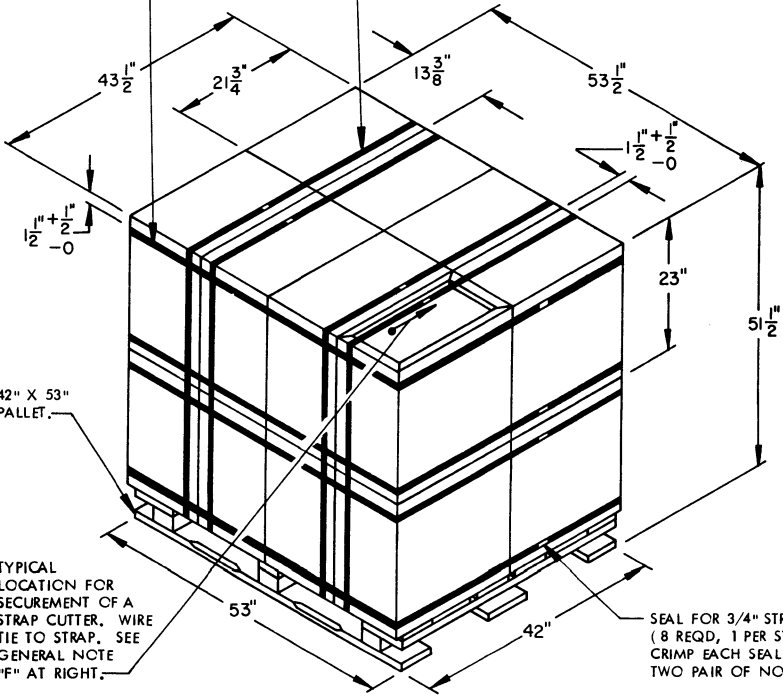
REVISIONS				DRAFTSMAN /jc	PROJ ENG WRF/hw
				CHECKER	LOG ENGRG OFFICE
APPROVED, U. S. ARMY ARMAMENT MATERIEL READINESS COMMAND					
					
<small>DRSAR - LEP DRSAR - TMD</small>					
<small>APPROVED BY ORDER OF COMMANDING GENERAL, U. S. ARMY MATERIEL DEVELOPMENT AND READINESS COMMAND (DARCOM)</small>					
					
<small>U. S. ARMY DEFENSE AMMUNITION CENTER AND SCHOOL</small>					
U. S. ARMY DARCOM DRAWING					
MARCH 1983					
	CLASS	DIVISION	DRAWING	FILE	
	19	48	4116/ 16A	20PA 1002	

DO NOT SCALE

GENERAL NOTES

HORIZONTAL STRAP,
3/4" X .035" OR .031" X
17'-2" LONG STEEL STRAPPING
(4 REQD). SEE GENERAL NOTE
"C" AT RIGHT.

TIEDOWN STRAP, 3/4" X .035" OR .031" X
16'-0" LONG STEEL STRAPPING (4 REQD).
SEE GENERAL NOTE "D" AT RIGHT.



PALLET UNIT

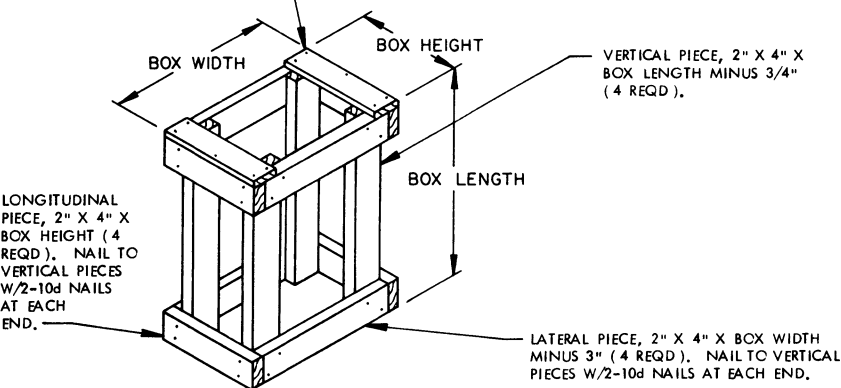
SEE GENERAL NOTE "B" AT RIGHT.

16 BOXES OF 22MM CARTRIDGES (100 PER BOX) @ 120 LBS-----	1,920 LBS (APPROX)
DUNNAGE-----	10 LBS
PALLET-----	90 LBS
TOTAL WEIGHT-----	2,020 LBS (APPROX)
CUBE-----	69.4 CU FT (APPROX)

BILL OF MATERIAL

PALLET, 42" X 53"-----	1 REQD-----	90 LBS
STEEL STRAPPING, 3/4"-----	132.67' REQD-----	9.48 LBS
SEAL FOR 3/4" STRAPPING-----	8 REQD-----	NIL

TIE PIECE, 1" X 4" X BOX HEIGHT
(2 REQD). NAIL TO LATERAL PIECES W/1-6d
NAIL AT EACH END AND TO LONG-
GITUDINAL PIECE W/3-6d NAILS.



FILLER ASSEMBLY

(FOR MINUS ONE BOX)

- A. THIS APPENDIX CANNOT STAND ALONE BUT MUST BE USED IN CONJUNCTION WITH THE BASIC UNITIZATION PROCEDURES DRAWING 19-48-4116-20PA1002. TO PRODUCE AN APPROVED UNIT LOAD, ALL PERTINENT PROCEDURES, SPECIFICATIONS AND CRITERIA SET FORTH WITHIN THE BASIC DRAWING WILL APPLY TO THE PROCEDURES DELINEATED IN THIS APPENDIX. ANY EXCEPTIONS TO THE BASIC PROCEDURES ARE SPECIFIED IN THIS APPENDIX.
- B. DIMENSIONS, CUBE AND WEIGHT OF A PALLET UNIT WILL VARY SLIGHTLY DEPENDING UPON THE ACTUAL DIMENSIONS OF THE BOXES AND THE WEIGHT OF THE SPECIFIC ITEM BEING UNITIZED.
- C. INSTALL THE HORIZONTAL STRAPS TO ENCIRCLE THE LAYERS OF BOXES ON THE PALLET. NOTE THAT THE STRAPS WILL BE LOCATED AS DIMENSIONED. HORIZONTAL STRAPS MUST BE TENSIONED AND SEALED PRIOR TO THE APPLICATION OF TIEDOWN STRAPS.
- D. INSTALL EACH TIEDOWN STRAP TO PASS UNDER THE TOP DECK BOARDS OF THE PALLET. NOTE THAT THE STRAPS WILL BE LOCATED AS DIMENSIONED, NEAR THE SIDE CLEATS OF THE END PANELS OF THE BOX. TIEDOWN STRAPS WILL NOT BE APPLIED UNTIL THE HORIZONTAL STRAPS HAVE BEEN TENSIONED AND SEALED.
- E. THE FOLLOWING DARCOM DRAWINGS ARE APPLICABLE FOR OUTLOADING AND STORAGE OF THE ITEMS COVERED BY THIS APPENDIX.

CARLOADING ----- DRAWING 19-48-4115-5PA1002
TRUCKLOADING ----- DRAWING 19-48-4117-11PA1003
STORAGE----- DRAWING 19-48-4118-1-2-3-4-14-22-PA1002
- F. FOR METHOD OF SECURING A STRAP CUTTER TO THE PALLET UNIT, SEE DARCOM DRAWING 19-48-4127-20P1000.
- G. IF ITEMS COVERED HEREIN ARE UNITIZED PRIOR TO ISSUANCE OF THIS APPENDIX, THE BOXES NEED NOT BE REUNITIZED SOLELY TO CONFORM TO THIS APPENDIX.
- H. THE UNITIZATION PROCEDURES DEPICTED HEREIN MAY ALSO BE USED FOR UNITIZING 22MM CARTRIDGES WHEN IDENTIFIED BY DIFFERENT NATIONAL STOCK NUMBERS (NSN) THAN WHAT IS SHOWN ON THE TITLE PAGE, PROVIDED THE BOX PACK DOES NOT VARY FROM WHAT IS DELINEATED HEREIN. THE EXPLOSIVE CLASSIFICATION OF OTHER ITEMS MAY BE DIFFERENT THAN WHAT IS SHOWN.
- J. WHEN THE UNIT LOAD DEPICTED AT LEFT IS TO BE USED FOR UNITIZING MARINE CORPS AMMUNITION, ONE LAYER OF BOXES MUST BE OMITTED, TIEDOWN STRAP LENGTHS MUST BE DECREASED TO 12'-2", AND TWO HORIZONTAL STRAPS MUST BE OMITTED. THIS WILL RESULT IN AN OVERALL UNIT HEIGHT OF 28-1/2", A GROSS UNIT WEIGHT OF 1,056 POUNDS, AND A UNIT CUBE OF 38.4 CUBIC FEET. ADDITIONALLY, THE UNIT LOAD MAY BE MODIFIED AS DESCRIBED WHEN BEING SHIPPED BY MILVAN OR COMMERCIAL INTERMODAL FREIGHT CONTAINER, CONVENTIONAL VAN TRAILER OR CONVENTIONAL OR HIGH-CAPACITY BOXCAR. THE DETERMINATION TO REDUCE THE LOAD BY A LAYER FOR TRANSPORTATION WILL BE BASED UPON ECONOMICS OF TRANSPORTATION AND HANDLING.