

APPENDIX 162

UNITIZATION PROCEDURES FOR BOXED AMMUNITION AND COMPONENTS ON 4-WAY ENTRY PALLETS

AGENT, DECONTAMINATING, DS2, PACKED 12 PER WIREBOUND BOX, UNITIZED 30 BOXES PER 40" X 48" PALLET; APPROX BOX SIZE 20" L X 15" W X 8 $\frac{1}{4}$ " H

PALLET UNIT DATA						
ITEMS INCLUDED		HAZARD CLASSIFICATION ^①				WEIGHT (LBS)
NSN	DODIC	DOT CLASS	CG CLASS	QD CLASS	COMP GROUP	
6850-00-753-4827		INERT				1,608

REVISION

REVISION NO. 1, DATED AUGUST 1987, CONSISTS OF:

1. CHANGING BOX DIMENSIONS.
2. CHANGING BOX WEIGHT.
3. UPDATING DRAWING TO CONFORM TO 1 AND 2.
4. ADDING GENERAL NOTES "J" AND "K".

NOTICE: THIS APPENDIX CANNOT STAND ALONE BUT MUST BE USED IN CONJUNCTION WITH THE BASIC UNITIZATION PROCEDURES DRAWING 19-48-4116-20PA1002.

① HAZARD CLASSIFICATION DATA CONTAINED IN THE ABOVE CHART IS FOR GUIDANCE AND INFORMATIONAL PURPOSES ONLY. VERIFICATION OF THE SPECIFIED DATA SHOULD BE MADE BY CONSULTING THE MOST RECENT JOINT HAZARD CLASSIFICATION SYSTEM LISTING OR OTHER APPROVED LISTING(S).

REVISIONS		DRAFTSMAN <i>ELO/pt</i>	PROJ ENG <i>SMS/WRF</i>	<i>MJALCD</i>
NO	DATE	CHECKER <i>GAS</i>	LOG ENGINEER <i>WFE</i>	
		1	AUG 87	<i>WRF</i>
		<small>APPROVED, U.S. ARMY AMMUNITION, EXPLOSIVES AND CHEMICAL COMMAND</small> <i>William F Ernst</i>		
		<small>APPROVED BY ORDER OF COMMANDING GENERAL, U.S. ARMY MATERIAL COMMAND (AMC)</small> <i>William F Ernst</i>		
		U.S. ARMY AMC DRAWING AUGUST 1987		
		CLASS	DIVISION	DRAWING
		19	48	4116/162
				FILE
				20PA1002

DO NOT SCALE

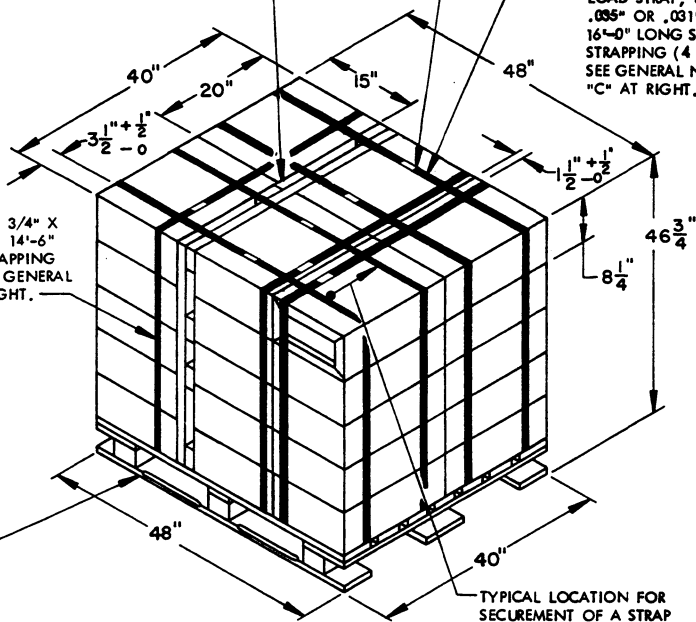
SPACER ASSEMBLY (1 REQD), SEE THE DETAIL BELOW. STAPLE LOAD STRAPS TO ASSEMBLY AS SHOWN.

SEAL FOR 3/4" STRAPPING (7 REQD), 1 PER STRAP). CRIMP EACH SEAL WITH TWO PAIR OF NOTCHES.

LOAD STRAP, 3/4" X .035" OR .031" X 16'-0" LONG STEEL STRAPPING (4 REQD). SEE GENERAL NOTE "C" AT RIGHT.

EDOWN STRAP, 3/4" X .035" OR .031" X 14'-6" LONG STEEL STRAPPING (3 REQD). SEE GENERAL NOTE "D" AT RIGHT.

40" X 48" PALLET.



TYPICAL LOCATION FOR SECUREMENT OF A STRAP CUTTER. WIRE TIE TO STRAP. SEE GENERAL NOTE "F" AT RIGHT.

PALLET UNIT

SEE GENERAL NOTE "B" AT RIGHT.

30 BOXES OF DECONTAMINATING AGENT (12 PER BOX) @ 49 LBS-----1,470 LBS (APPROX)
 DUNNAGE-----58 LBS
 PALLET-----80 LBS

TOTAL WEIGHT-----1,608 LBS (APPROX)
 CUBE-----55.7 CU FT (APPROX)

GENERAL NOTES

- A. THIS APPENDIX CANNOT STAND ALONE BUT MUST BE USED IN CONJUNCTION WITH THE BASIC UNITIZATION PROCEDURES DRAWING 19-48-4116-20PA1002. TO PRODUCE AN APPROVED UNIT LOAD, ALL PERTINENT PROCEDURES, SPECIFICATIONS AND CRITERIA SET FORTH WITHIN THE BASIC DRAWING WILL APPLY TO THE PROCEDURES DELINEATED IN THIS APPENDIX. ANY EXCEPTIONS TO THE BASIC PROCEDURES ARE SPECIFIED IN THIS APPENDIX.
- B. DIMENSIONS, CUBE AND WEIGHT OF A PALLET UNIT WILL VARY SLIGHTLY DEPENDING UPON THE ACTUAL DIMENSIONS OF THE BOXES AND THE WEIGHT OF THE SPECIFIC ITEM BEING UNITIZED.
- C. THE LOAD STRAPS MUST BE PRE-POSITIONED ON THE PALLET DECK PRIOR TO PLACING BOXES ON THE PALLET. NOTE THAT THE STRAPS WILL BE LOCATED AS DIMENSIONED. LOAD STRAPS MUST BE TENSIONED AND SEALED PRIOR TO APPLICATION OF TIEDOWN STRAPS.
- D. INSTALL EACH TIEDOWN STRAP TO PASS UNDER THE DECK/STRINGER BOARDS OF THE PALLET AND TO BE LOCATED AS DIMENSIONED. TIEDOWN STRAPS WILL NOT BE APPLIED UNTIL THE LOAD STRAPS HAVE BEEN TENSIONED AND SEALED.
- E. THE FOLLOWING AMC (DARCOM) DRAWINGS ARE APPLICABLE FOR OUTLOADING AND STORAGE OF THE ITEMS COVERED BY THIS APPENDIX.
 CARLOADING-----DRAWING 19-48-4115-5PA1002
 TRUCKLOADING-----DRAWING 19-48-4117-11PA1003
 STORAGE-----DRAWING 19-48-4118-1-2-3-4-14-22PA1002
- F. FOR METHOD OF SECURING A STRAP CUTTER TO THE PALLET UNIT, SEE DARCOM DRAWING 19-48-4127-20P1000.
- G. IF ITEMS COVERED HEREIN ARE UNITIZED PRIOR TO ISSUANCE OF THIS APPENDIX, THE BOXES NEED NOT BE REUNITIZED SOLELY TO CONFORM TO THIS APPENDIX.
- H. THE UNITIZATION PROCEDURES DEPICTED HEREIN MAY ALSO BE USED FOR UNITIZING AGENT, DECONTAMINATING WHEN IDENTIFIED BY DIFFERENT NATIONAL STOCK NUMBERS (NSN) THAN WHAT IS SHOWN ON THE TITLE PAGE, PROVIDED THE BOX PACK DOES NOT VARY FROM WHAT IS DELINEATED HEREIN.
- J. WHEN THE UNIT LOAD DEPICTED AT LEFT IS TO BE USED FOR UNITIZING MARINE CORPS AMMUNITION, ONE LAYER OF BOXES MUST BE OMITTED, TIEDOWN STRAP LENGTHS MUST BE DECREASED TO 13'-1", AND LOAD STRAP LENGTHS MUST BE DECREASED TO 15'-0". THIS WILL RESULT IN AN OVERALL UNIT HEIGHT OF 38'-1/2", A GROSS UNIT WEIGHT OF 1,359 POUNDS, AND A UNIT CUBE OF 45.9 CUBIC FEET. ADDITIONALLY, THE UNIT LOAD MAY BE MODIFIED AS DESCRIBED WHEN BEING SHIPPED BY MILVAN OR COMMERCIAL INTER-MODAL FREIGHT CONTAINER. THE DETERMINATION TO REDUCE THE LOAD BY A LAYER FOR TRANSPORTATION WILL BE MADE BY THE RESPONSIBLE COMMAND AND WILL BE BASED UPON ECONOMICS OF TRANSPORTATION AND HANDLING.
- K. THE STYLE I PALLET DELINEATED IN THE DETAIL AT LEFT NEED NOT HAVE CHAMFERS OR STRAP SLOTS AS SPECIFIED WITHIN MILITARY SPECIFICATION MIL-P-15011 WHEN USED FOR THE UNITIZATION OF THE ITEMS COVERED BY THIS APPENDIX.

BILL OF MATERIAL

LUMBER	LINEAR FEET	BOARD FEET
2" X 4"	37.04	24.70
NAILS	NO. REQD	POUNDS
10d (3")	24	0.37

PALLET, 40" X 48"	1 REQD	80 LBS
STEEL STRAPPING, 3/4"	107.50' REQD	7.68 LBS
SEAL FOR 3/4" STRAPPING	7 REQD	NIL
STAPLE	4 REQD	NIL

