

# APPENDIX 158C

## UNITIZATION PROCEDURES FOR BOXED AMMUNITION AND COMPONENTS ON 4-WAY ENTRY PALLETS

PRIMER, PERCUSSION, PACKED 1000 PER WOODEN  
BOX, UNITIZED 18 BOXES PER 35" X 45½" PALLET;  
APPROX BOX SIZE 25" L X 12<sup>13</sup>/<sub>16</sub>" W X 11<sup>1</sup>/<sub>32</sub>" H

PALLET UNIT DATA						
ITEMS INCLUDED		HAZARD CLASSIFICATION ①				WEIGHT (LBS)
NSN	DODIC	DOT CLASS	CG CLASS	QD CLASS	COMP GROUP	
1390- 00-828-7449	N532	C	III	(04) 1.2	G	1,062
00-935-9232	N532	C	III	(04) 1.2	G	1,062

NOTICE: THIS APPENDIX CANNOT STAND ALONE BUT MUST  
BE USED IN CONJUNCTION WITH THE BASIC UNITIZATION  
PROCEDURES DRAWING 19-48-4116-20PA1002.

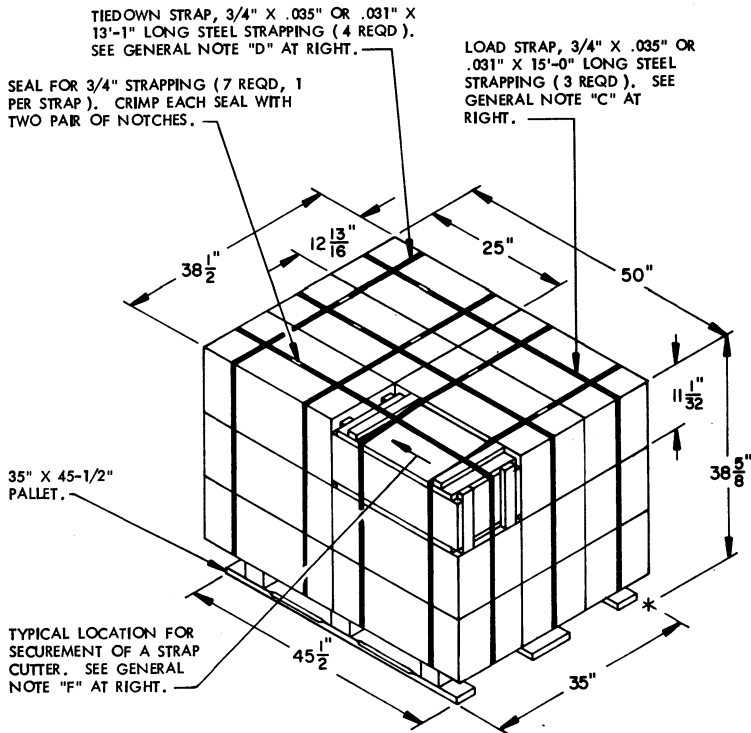
① HAZARD CLASSIFICATION DATA CONTAINED IN THE ABOVE  
CHART IS FOR GUIDANCE AND INFORMATIONAL PURPOSES ONLY.  
VERIFICATION OF THE SPECIFIED DATA SHOULD BE MADE BY  
CONSULTING THE MOST RECENT JOINT HAZARD CLASSIFICATION  
SYSTEM LISTING OR OTHER APPROVED LISTING (S).

REVISIONS				DRAFTSMAN dh	PROJ ENG WRC
				GFS	WRC
				CHECKER GFS	LOG ENGRS OFFICE WRC
APPROVED, U.S. ARMY ARMAMENT, BURNTHROPE AND CHEMICAL CENTERS					
				WRC	WRC
APPROVED BY ORDER OF COMMANDING GENERAL, U.S. ARMY MATERIEL COMMAND (AMC)					
John L. Reynolds U.S. ARMY DEFENSE AMMUNITION CENTER AND SCHOOL					
<b>U.S. ARMY AMC DRAWING</b>					
<b>JUNE 1985</b>					
CLASS	DIVISION	DRAWING	FILE		
19	48	4116/ 158C	20PA 1002		

**DO NOT SCALE**

**GENERAL NOTES**

- A. THIS APPENDIX CANNOT STAND ALONE BUT MUST BE USED IN CONJUNCTION WITH THE BASIC UNITIZATION PROCEDURES DRAWING 19-48-4116-20PA1002. TO PRODUCE AN APPROVED UNIT LOAD, ALL PERTINENT PROCEDURES, SPECIFICATIONS AND CRITERIA SET FORTH WITHIN THE BASIC DRAWING WILL APPLY TO THE PROCEDURES DELINEATED IN THIS APPENDIX. ANY EXCEPTIONS TO THE BASIC PROCEDURES ARE SPECIFIED IN THIS APPENDIX.
- B. DIMENSIONS, CUBE AND WEIGHT OF A PALLET UNIT WILL VARY SLIGHTLY DEPENDING UPON THE ACTUAL DIMENSIONS OF THE BOXES AND THE WEIGHT OF THE SPECIFIC ITEM BEING UNITIZED.
- C. THE LOAD STRAPS MAY BE THREADED THROUGH THE STRAP SLOTS OF A PALLET OR PRE-POSITIONED ON THE PALLET DECK PRIOR TO PLACING BOXES ON THE PALLET.
- D. INSTALL EACH TIEDOWN STRAP TO PASS UNDER THE DECK/STRINGER BOARDS OF THE PALLET AND TO BE LOCATED AS SHOWN. TIEDOWN STRAPS WILL BE TENSIONED AND SEALED PRIOR TO LOAD STRAPS.
- E. THE FOLLOWING AMC (DARCOM) DRAWINGS ARE APPLICABLE FOR OUT-LOADING AND STORAGE OF THE ITEMS COVERED BY THIS APPENDIX.
  - CARLOADING ----- DRAWING 19-48-4115-5PA1002
  - TRUCKLOADING ----- DRAWING 19-48-4117-11PA1003
  - STORAGE ----- DRAWING 19-48-4118-1-2-3-4-14-22PA1002
- F. FOR METHOD OF SECURING A STRAP CUTTER TO THE PALLET UNIT, SEE DARCOM DRAWING 19-48-4127-20P1000.
- G. IF ITEMS COVERED HEREIN ARE UNITIZED PRIOR TO ISSUANCE OF THIS APPENDIX, THE BOXES NEED NOT BE REUNITIZED SOLELY TO CONFORM TO THIS APPENDIX.
- H. THE UNITIZATION PROCEDURES DEPICTED HEREIN MAY ALSO BE USED FOR UNITIZING PERCUSSION PRIMERS WHEN IDENTIFIED BY DIFFERENT NATIONAL STOCK NUMBERS (NSN) THAN WHAT IS SHOWN ON THE TITLE PAGE, PROVIDED THE BOX PACK DOES NOT VARY FROM WHAT IS DELINEATED HEREIN. THE EXPLOSIVE CLASSIFICATION OF OTHER ITEMS MAY BE DIFFERENT THAN WHAT IS SHOWN.
- J. THE STYLE 1A PALLET DELINEATED IN THE DETAIL AT LEFT NEED NOT HAVE CHAMFERS OR STRAP SLOTS AS SPECIFIED WITHIN MILITARY SPECIFICATION MIL-P-15011 WHEN USED FOR THE UNITIZATION OF THE ITEMS COVERED BY THIS APPENDIX. IF THE PALLET TO BE USED DOES NOT HAVE STRAP SLOTS, HOWEVER, THE LOAD STRAPS MUST BE PRE-POSITIONED ON THE PALLET DECK PRIOR TO PLACING THE BOXES ON THE PALLET.



**PALLET UNIT**

SEE GENERAL NOTE "B" AT RIGHT.

18 BOXES OF PERCUSSION PRIMER (1,000 PER BOX) @ 55 LBS ----- 990 LBS (APPROX)  
 DUNNAGE ----- 7 LBS  
 PALLET ----- 65 LBS

TOTAL WEIGHT ----- 1,062 LBS (APPROX)  
 CUBE ----- 43.0 CU FT (APPROX)

**BILL OF MATERIAL**

PALLET, 35" X 45-1/2" -----	1 REQD -----	65 LBS
STEEL STRAPPING, 3/4" -----	97.33' REQD -----	6.95 LBS
SEAL FOR 3/4" STRAPPING -----	7 REQD -----	NIL

