

APPENDIX 157D

UNITIZATION PROCEDURES FOR BOXED AMMUNITION AND COMPONENTS ON 4-WAY ENTRY PALLETS

FUZE, MULTI-OPTION, PACKED 120 PER WOODEN
BOX, UNITIZED 18 BOXES PER 40" X 48" PALLET;
APPROX BOX SIZE 24-1/2" L X 14-1/2" W X
11-1/8" H

NOTICE: THIS APPENDIX CANNOT STAND ALONE BUT MUST BE USED IN CONJUNCTION WITH
THE BASIC UNITIZATION PROCEDURES DRAWING 19-48-4116-20PA1002.

DISTRIBUTION STATEMENT A.

APPROVED FOR PUBLIC RELEASE;
DISTRIBUTION IS UNLIMITED.

U.S. ARMY MATERIEL COMMAND DRAWING					
APPROVED, U.S. ARMY ARMAMENT, MUNITIONS AND CHEMICAL COMMAND <i>David A. Perkins</i> SMCAR-ESK	APPROVED BY ORDER OF COMMANDING GENERAL, U.S. ARMY MATERIEL COMMAND <i>John L. Byrd Jr.</i> U.S. ARMY DEFENSE AMMUNITION CENTER AND SCHOOL	DRAFTSMAN ENGINEER BETTY J. KUNDERT SANDRA M. SCHULTZ	SUPPLY ENGINEERING DIVISION <i>D. J. M... W. ... J. ...</i>	TRANSPORTATION ENGINEERING DIVISION VALIDATION ENGINEERING DIVISION LOGISTICS ENGINEERING OFFICE <i>William F. Ernst</i>	
SEPTEMBER 1985		CLASS	DIVISION	DRAWING	FILE
REVISION NO. 1	AUGUST 1994	19	48	4116/ 157D	20PA 1002
SEE THE REVISION LISTING ON PAGE 2					

DO NOT SCALE

PALLET UNIT DATA				
ITEMS INCLUDED		HAZARD CLASS AND DIVISION ●		APPROX WEIGHT LBS
NSN	DODIC	OD CLASS	COMP GROUP	
1390-				
01-050-8897	N288	1.1	D	1,492
01-247-7164	N288	1.1	D	1,492
01-124-7585	N342	1.1	D	1,492
01-359-2887	N660	1.1	D	1,492

● HAZARD CLASSIFICATION DATA CONTAINED IN THE ABOVE CHART IS FOR GUIDANCE AND INFORMATIONAL PURPOSES ONLY. VERIFICATION OF THE SPECIFIED DATA SHOULD BE MADE BY CONSULTING THE MOST RECENT JOINT HAZARD CLASSIFICATION SYSTEM LISTING OR OTHER APPROVED LISTING(S).

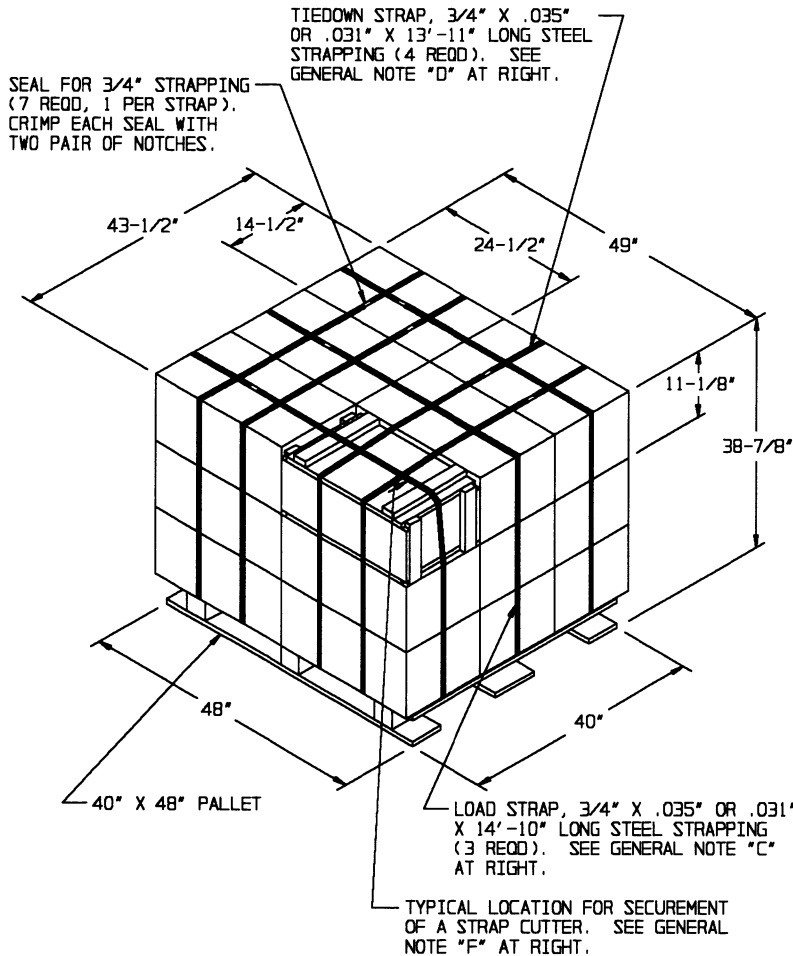
REVISION

REVISION NO. 1, DATED AUGUST 1994, CONSISTS OF:

1. ADDING ITEM BY NATIONAL STOCK NUMBER TO "PALLET UNIT DATA" CHART.

GENERAL NOTES

- A. THIS APPENDIX CANNOT STAND ALONE BUT MUST BE USED IN CONJUNCTION WITH THE BASIC UNITIZATION PROCEDURES DRAWING 19-48-4116-20PA1002. TO PRODUCE AN APPROVED UNIT LOAD, ALL PERTINENT PROCEDURES, SPECIFICATIONS AND CRITERIA SET FORTH WITHIN THE BASIC DRAWING WILL APPLY TO THE PROCEDURES DELINEATED IN THIS APPENDIX. ANY EXCEPTIONS TO THE BASIC PROCEDURES ARE SPECIFIED IN THIS APPENDIX.
- B. DIMENSIONS, CUBE AND WEIGHT OF A PALLET UNIT WILL VARY SLIGHTLY DEPENDING UPON THE ACTUAL DIMENSIONS OF THE BOXES AND THE WEIGHT OF THE SPECIFIC ITEM BEING UNITIZED.
- C. THE LOAD STRAPS MAY BE THREADED THROUGH THE STRAP SLOTS OF A PALLET OR PRE-POSITIONED ON THE PALLET DECK PRIOR TO PLACING BOXES ON THE PALLET. LOAD STRAPS MUST NOT BE TENSIONED AND SEALED UNTIL TIEDOWN STRAPS HAVE BEEN TENSIONED AND SEALED.
- D. INSTALL EACH TIEDOWN STRAP TO PASS UNDER THE TOP DECK BOARDS OF THE PALLET. NOTE THAT THE STRAPS WILL BE LOCATED AS SHOWN, NEAR THE SIDE CLEATS OF THE END PANELS OF THE BOX. TIEDOWN STRAPS MUST BE TENSIONED AND SEALED PRIOR TO THE APPLICATION OF THE LOAD STRAPS.
- E. THE FOLLOWING AMC DRAWINGS ARE APPLICABLE FOR OUTLOADING AND STORAGE OF THE ITEMS COVERED BY THIS APPENDIX.
 - CARLOADING - - - - 19-48-4115-5PA1002
 - TRUCKLOADING - - - 19-48-4117-11PA1003
 - STORAGE - - - - - 19-48-4118-1-2-3-4-14-22PA1002
 - END OPENING ISO CONTAINER - - - - 19-48-4153-15PA1002
 - MILVAN - - - - - 19-48-4166-15PA1003
 - SIDE OPENING ISO CONTAINER - - - - 19-48-4267-15PA1009
- F. FOR METHOD OF SECURING A STRAP CUTTER TO THE PALLET UNIT, SEE AMC DRAWING 19-48-4127-20P1000.
- G. IF ITEMS COVERED HEREIN ARE UNITIZED PRIOR TO ISSUANCE OF THIS APPENDIX, THE BOXES NEED NOT BE REUNITIZED SOLELY TO CONFORM TO THIS APPENDIX.
- H. THE UNITIZATION PROCEDURES DEPICTED HEREIN MAY ALSO BE USED FOR UNITIZING FUZES WHEN IDENTIFIED BY DIFFERENT NATIONAL STOCK NUMBERS (NSN) THAN WHAT IS SHOWN ON PAGE 2, PROVIDED THE BOX PACK DOES NOT VARY FROM WHAT IS DELINEATED HEREIN. THE EXPLOSIVE CLASSIFICATION OF OTHER ITEMS MAY BE DIFFERENT THAN WHAT IS SHOWN.
- J. THE STYLE 1 PALLET DELINEATED IN THE DETAIL AT LEFT NEED NOT HAVE CHAMFERS OR STRAP SLOTS AS SPECIFIED WITHIN MILITARY SPECIFICATION MIL-P-15011 WHEN USED FOR THE UNITIZATION OF ITEMS COVERED BY THIS APPENDIX.



PALLET UNIT

SEE GENERAL NOTE "B" AT RIGHT.

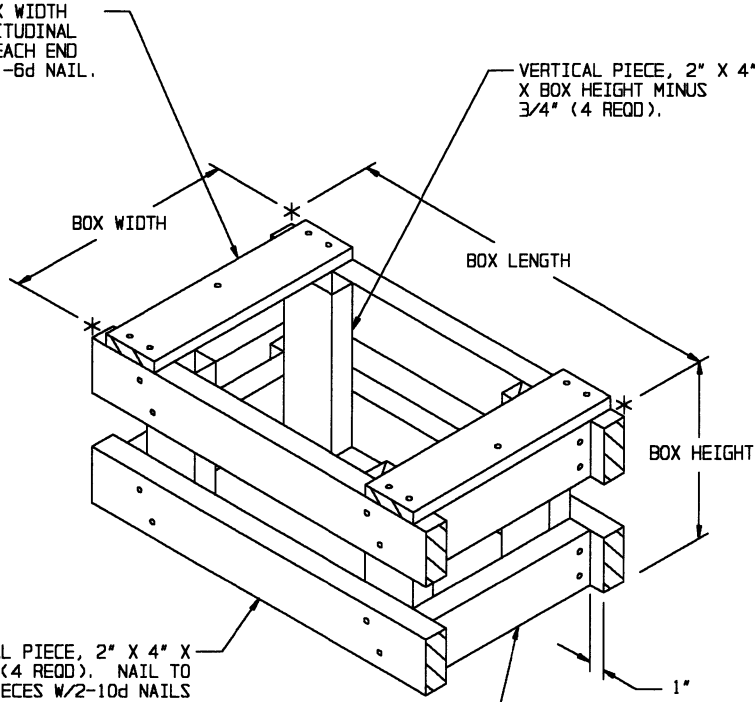
18 BOXES OF FUZES (120 PER BOX) AT 78 LBS	-----	1,404 LBS (APPROX)
DUNNAGE	-----	8 LBS
PALLET	-----	80 LBS
<hr/>		
TOTAL WEIGHT	-----	1,492 LBS (APPROX)
CUBE	-----	48.0 CU FT (APPROX)

BILL OF MATERIAL

PALLET, 40" X 48"	-----	1 REQD	-----	80 LBS
STEEL STRAPPING, 3/4"	-----	100.17' REQD	-----	7.15 LBS
SEAL FOR 3/4" STRAPPING	-----	7 REQD	-----	NIL

TIE PIECE, 1" X 4" X BOX WIDTH
(2 REQD). NAIL TO LONGITUDINAL
PIECES W/2-6d NAILS AT EACH END
AND TO LATERAL PIECE W/1-6d NAIL.

VERTICAL PIECE, 2" X 4"
X BOX HEIGHT MINUS
3/4" (4 REQD).



LONGITUDINAL PIECE, 2" X 4" X
BOX LENGTH (4 REQD). NAIL TO
VERTICAL PIECES W/2-10d NAILS
AT EACH END.

LATERAL PIECE, 2" X 4" X BOX
WIDTH MINUS 3" (4 REQD). NAIL
TO VERTICAL PIECES W/2-10d
NAILS AT EACH END.

FILLER ASSEMBLY
(FOR MINUS ONE BOX)