

# APPENDIX 156X

## UNITIZATION PROCEDURES FOR BOXED AMMUNITION AND COMPONENTS ON 4-WAY ENTRY PALLET

**FUZE, POINT DETONATING, PRACTICE, PACKED  
80 PER WOODEN BOX, UNITIZED 24 BOXES  
PER 40" X 48" PALLET; APPROX BOX SIZE  
23-1/8" L X 14-1/16" W X 12-5/16" H**

**NOTICE: THIS APPENDIX CANNOT STAND ALONE BUT MUST BE USED IN CONJUNCTION WITH  
THE BASIC UNITIZATION PROCEDURES DRAWING 19-48-4116-20PA1002.**

**DISTRIBUTION STATEMENT A:**

APPROVED FOR PUBLIC RELEASE;  
DISTRIBUTION IS UNLIMITED.

### U.S. ARMY MATERIEL COMMAND DRAWING

APPROVED, U.S. ARMY OPERATIONS SUPPORT COMMAND  <i>David A. Perkorik</i> AMSTA-AR-WEP-RP	ENGINEER	BASIC	SANDRA M. SCHULTZ	DO NOT SCALE			
		REV.	MICHAEL S. BARTOSIAK	WEBSITE: <a href="http://www.dac.army.mil">HTTP://WWW.DAC.ARMY.MIL</a>			
APPROVED BY ORDER OF COMMANDING GENERAL, U.S. ARMY MATERIEL COMMAND  <i>Timothy Fore</i> AMSOS-RST-M	TECHNICIAN	BASIC		<b>NOVEMBER 1994</b>			
		REV.	PATRICK DOUGHERTY	REVISION NO. 3		JULY 2000	
APPROVED BY ORDER OF COMMANDING GENERAL, U.S. ARMY MATERIEL COMMAND  <i>J. P. White</i> U.S. ARMY DEFENSE AMMUNITION CENTER	DRAFTSMAN	BASIC	BETTY J. KUNDERT	SEE THE REVISION LISTING ON PAGE 2			
		REV.	BETTY J. KUNDERT	CLASS	DIVISION	DRAWING	FILE
	TRANSPORTATION ENGINEERING DIVISION		<i>William R. Finick</i>	19	48	4116/ 156X	20PA1002
	VALIDATION ENGINEERING DIVISION		<i>James K...</i>				
	ENGINEERING DIRECTORATE		<i>Johnnie L. Cook</i>				

PROJECT FSA 146/156X-75

PALLET UNIT DATA				
ITEMS INCLUDED		● HAZARD CLASS AND DIVISION		APPROX WEIGHT LBS
NSN	DODIC	QD CLASS	COMP GROUP	
1390-01-384-0604	N664	(04)1.2	B	1,481
01-399-6878	NA02	1.4	G	1,481
01-413-8330	NA04	1.4	G	1,481
01-464-1535	NA13	(05)1.2	B	1,481

- HAZARD CLASSIFICATION DATA CONTAINED IN THE ABOVE CHART IS FOR GUIDANCE AND INFORMATIONAL PURPOSES ONLY. VERIFICATION OF THE SPECIFIED DATA SHOULD BE MADE BY CONSULTING THE MOST RECENT JOINT HAZARD CLASSIFICATION SYSTEM LISTING OR OTHER APPROVED LISTING(S).

### REVISIONS

REVISION NO. 1, DATED JULY 1995, CONSISTS OF:

1. ADDING ITEM BY NATIONAL STOCK NUMBER (NSN) TO "PALLET UNIT DATA" CHART.

REVISION NO.2, DATED MARCH 1996, CONSISTS OF:

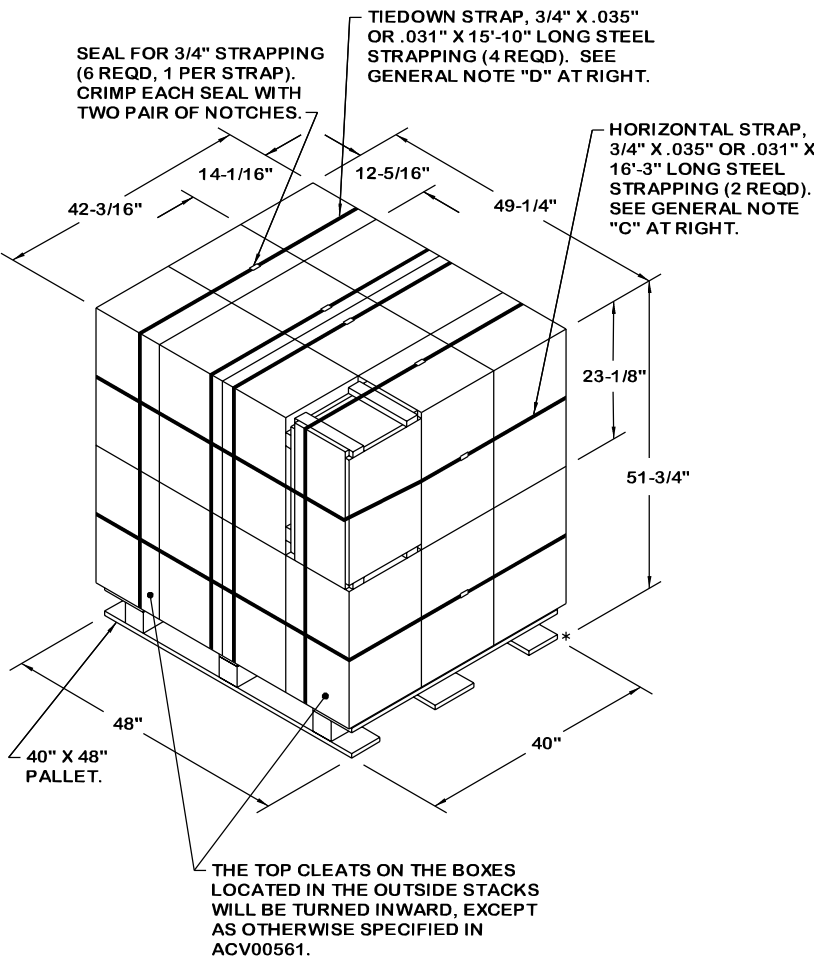
1. ADDING ITEM BY NATIONAL STOCK NUMBER (NSN) TO "PALLET UNIT DATA" CHART.

REVISION NO. 3, DATED JULY 2000 PER ECP R9K2020, CONSISTS OF:

1. CHANGING THE TITLE BLOCK.
2. ADDING ITEM BY NATIONAL STOCK NUMBER (NSN) TO "PALLET UNIT DATA" CHART.
3. UPDATING REPLACEMENT SPECIFICATION FOR A CANCELLED MILITARY SPECIFICATION.
4. UPDATING TO NEW DRAWING FORMAT.

**GENERAL NOTES**

- A. THIS APPENDIX CANNOT STAND ALONE BUT MUST BE USED IN CONJUNCTION WITH THE BASIC UNITIZATION PROCEDURES DRAWING 19-48-4116-20PA1002. TO PRODUCE AN APPROVED UNIT LOAD, ALL PERTINENT PROCEDURES, SPECIFICATIONS AND CRITERIA SET FORTH WITHIN THE BASIC DRAWING WILL APPLY TO THE PROCEDURES DELINEATED IN THIS APPENDIX. ANY EXCEPTIONS TO THE BASIC PROCEDURES ARE SPECIFIED IN THIS APPENDIX.
- B. DIMENSIONS, CUBE AND WEIGHT OF A PALLET UNIT WILL VARY SLIGHTLY DEPENDING UPON THE ACTUAL DIMENSIONS OF THE BOXES AND THE WEIGHT OF THE SPECIFIC ITEM BEING UNITIZED.
- C. INSTALL EACH HORIZONTAL STRAP TO BE LOCATED AS SHOWN. HORIZONTAL STRAPS MUST BE TENSIONED AND SEALED PRIOR TO THE APPLICATION OF TIEDOWN STRAPS.
- D. INSTALL EACH TIEDOWN STRAP TO PASS UNDER THE TOP DECK BOARDS OF THE PALLET AND TO BE LOCATED AS SHOWN. TIEDOWN STRAPS WILL NOT BE APPLIED UNTIL THE HORIZONTAL STRAPS HAVE BEEN TENSIONED AND SEALED.
- E. THE FOLLOWING AMC DRAWINGS ARE APPLICABLE FOR OUTLOADING AND STORAGE OF THE ITEMS COVERED BY THIS APPENDIX.
  - CARLOADING - - - - 19-48-4115-5PA1002
  - TRUCKLOADING - - - - 19-48-4117-11PA1003
  - STORAGE - - - - - 19-48-4118-1-2-3-4-14-22PA1002
  - END OPENING ISO CONTAINER - - - - 19-48-4153-15PA1002
  - MILVAN - - - - - 19-48-4166-15PA1003
  - SIDE OPENING ISO CONTAINER - - - - 19-48-4267-15PA1009
- F. IF ITEMS COVERED HEREIN ARE UNITIZED PRIOR TO ISSUANCE OF THIS APPENDIX, THE CONTAINERS NEED NOT BE REUNITIZED SOLELY TO CONFORM TO THIS APPENDIX.
- G. THE UNITIZATION PROCEDURES DEPICTED HEREIN MAY ALSO BE USED FOR UNITIZING FUZES WHEN IDENTIFIED BY DIFFERENT NATIONAL STOCK NUMBERS (NSN) THAN WHAT IS SHOWN ON PAGE 2, PROVIDED THE BOX PACK DOES NOT VARY FROM WHAT IS DELINEATED HEREIN. THE EXPLOSIVE CLASSIFICATION OF OTHER ITEMS MAY BE DIFFERENT THAN WHAT IS SHOWN.
- H. THE STYLE 1 PALLET DELINEATED IN THE DETAIL AT LEFT NEED NOT HAVE CHAMFERS OR STRAP SLOTS AS SPECIFIED WITHIN MILITARY SPECIFICATION MIL-P-15011 WHEN USED FOR THE UNITIZATION OF ITEMS COVERED BY THIS DRAWING.
- J. FOR DETAILED INFORMATION ABOUT THE MIL-B-2427, TYPE 1, CLASS 1, GRADE A, WOODEN BOX SEE ARDEC DRAWING 12598355.
- K. CONVERSION TO METRIC EQUIVALENTS: DIMENSIONS WITHIN THIS DOCUMENT ARE EXPRESSED IN INCHES, AND WEIGHTS ARE EXPRESSED IN POUNDS. WHEN NECESSARY, THE METRIC EQUIVALENTS MAY BE COMPUTED ON THE BASIS OF ONE INCH EQUALS 25.4MM AND ONE POUND EQUALS 0.454 KG.



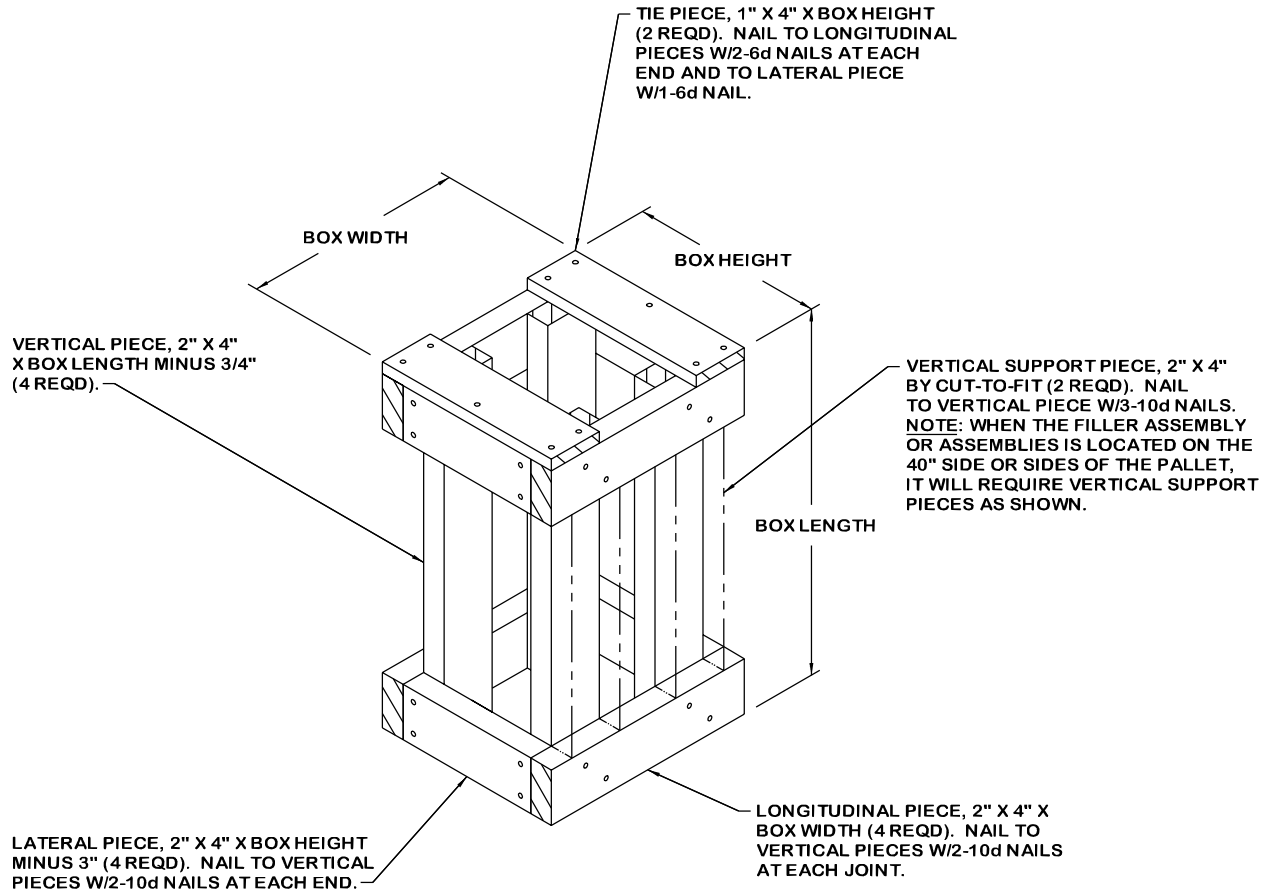
THE TOP CLEATS ON THE BOXES LOCATED IN THE OUTSIDE STACKS WILL BE TURNED INWARD, EXCEPT AS OTHERWISE SPECIFIED IN ACV00561.

**PALLET UNIT**

SEE GENERAL NOTE "B" AT RIGHT.

24 BOXES OF FUZES (80 PER BOX) @ 58 LBS	- - - - -	1,392 LBS (APPROX)
DUNNAGE	- - - - -	9 LBS
PALLET	- - - - -	80 LBS
<hr/>		
TOTAL WEIGHT	- - - - -	1,481 LBS (APPROX)
CUBE	- - - - -	62.2 CU FT (APPROX)

BILL OF MATERIAL			
PALLET, 40" X 48"	- - - - -	1 REQD	- - - - 80 LBS
STEEL STRAPPING, 3/4"	- 95.83'	REQD	- - - - 8.56 LBS
SEAL FOR 3/4" STRAPPING	- - -	6 REQD	- - - - NIL



**FILLER ASSEMBLY**  
 (FOR MINUS ONE BOX)