

APPENDIX 156N

UNITIZATION PROCEDURES FOR BOXED AMMUNITION AND COMPONENTS ON 4-WAY ENTRY PALLETS

FUZE, POINT DETONATING, PACKED 20 PER WOODEN
BOX, UNITIZED 36 BOXES PER 40" X 48" PALLET;
APPROX BOX SIZE 14 $\frac{7}{8}$ " L X 13 $\frac{5}{8}$ " W X 8" H

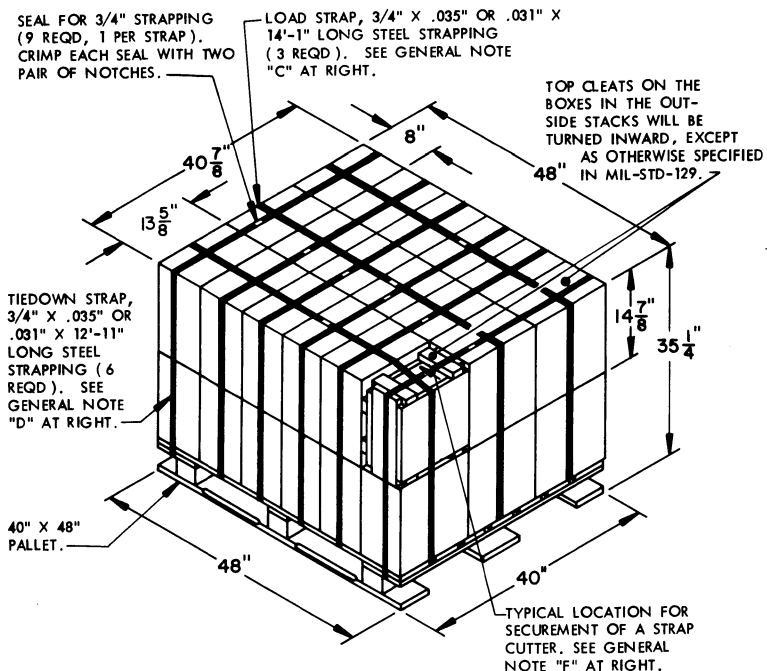
| PALLET UNIT DATA | | | | | | |
|------------------|--------|------------------------------------|----------|----------|------------|---------|
| ITEMS INCLUDED | | HAZARD CLASSIFICATION ^① | | | | WEIGHT |
| NSN | DOD IC | DOT CLASS | CG CLASS | QD CLASS | COMP GROUP | (LBS) |
| 1390-00-301-2070 | N200 | C | III | 1.4 | B | 3,401 |

NOTICE: THIS APPENDIX CANNOT STAND ALONE BUT MUST BE USED IN CONJUNCTION WITH THE BASIC UNITIZATION PROCEDURES DRAWING 19-48-4116-20PA1002.

① HAZARD CLASSIFICATION DATA CONTAINED IN THE ABOVE CHART IS FOR GUIDANCE AND INFORMATIONAL PURPOSES ONLY. VERIFICATION OF THE SPECIFIED DATA SHOULD BE MADE BY CONSULTING THE MOST RECENT JOINT HAZARD CLASSIFICATION SYSTEM LISTING OR OTHER APPROVED LISTING(S).

DO NOT SCALE

| REVISIONS | | | | DRAFTSMAN <i>7/28/84</i> | PROJ ENG <i>8/2/84</i> | CHECKER <i>RSM</i> | LOG ENGINE OFFICE <i>John, Sybil</i> |
|-----------|--|--|--|---|---------------------------|-----------------------|---|
| | | | | APPROVED, U. S. ARMY ARMAMENT, MUNITIONS AND CHEMICAL COMMAND | | | |
| | | | | APPROVED BY ORDER OF COMMANDING GENERAL, U. S. ARMY MATERIEL DEVELOPMENT AND READINESS COMMAND (DARCOM) | | | |
| | | | | U. S. ARMY DARCUM DRAWING | | | |
| | | | | FEBRUARY 1984 | | | |
| | | | | CLASS | DIVISION | DRAWING | FILE |
| | | | | 19 | 48 | 4116/ 156N | 20PA 1002 |



PALLET UNIT

SEE GENERAL NOTE "B" AT RIGHT.

| | | |
|---|-------|----------------------------|
| 36 BOXES OF POINT DETONATING FUZE (20 PER BOX) @ 92 LBS | ----- | 3,312 LBS (APPROX) |
| DUNNAGE | ----- | 9 LBS |
| PALLET | ----- | 80 LBS |
| TOTAL WEIGHT | ----- | 3,401 LBS (APPROX) |
| CUBE | ----- | 40.0 CU FT (APPROX) |

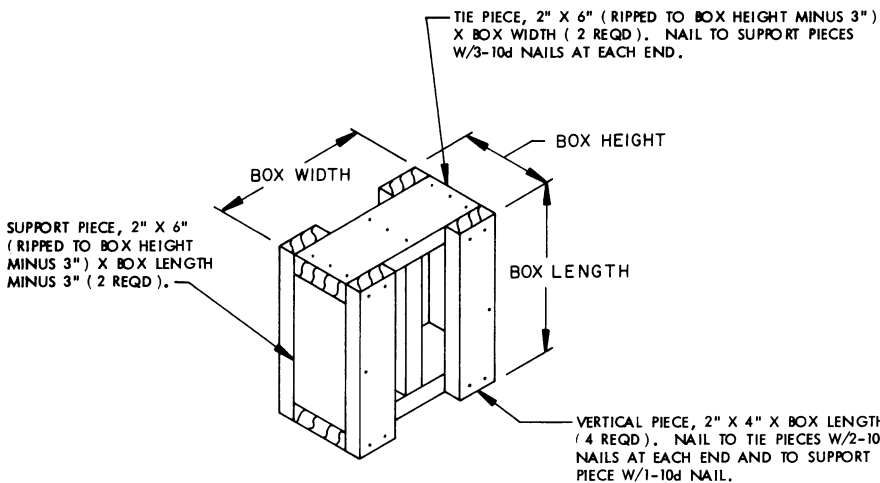
BILL OF MATERIAL

| | | | | |
|-------------------------|-------|-------------|-------|----------|
| PALLET, 40" X 48" | ----- | 1 REQD | ----- | 80 LBS |
| STEEL STRAPPING, 3/4" | ----- | 119.75 REQD | ----- | 8.55 LBS |
| SEAL FOR 3/4" STRAPPING | ----- | 9 REQD | ----- | NIL |

GENERAL NOTES

- THIS APPENDIX CANNOT STAND ALONE BUT MUST BE USED IN CONJUNCTION WITH THE BASIC UNITIZATION PROCEDURES DRAWING 19-48-4116-20PA1002. TO PRODUCE AN APPROVED UNIT LOAD, ALL PERTINENT PROCEDURES, SPECIFICATIONS AND CRITERIA SET FORTH WITHIN THE BASIC DRAWING WILL APPLY TO THE PROCEDURES DELINEATED IN THIS APPENDIX. ANY EXCEPTIONS TO THE BASIC PROCEDURES ARE SPECIFIED IN THIS APPENDIX.
- DIMENSIONS, CUBE AND WEIGHT OF A PALLET UNIT WILL VARY SLIGHTLY DEPENDING UPON THE ACTUAL DIMENSIONS OF THE BOXES AND THE WEIGHT OF THE SPECIFIC ITEM BEING UNITIZED.
- THE LOAD STRAPS MUST BE POSITIONED ON THE PALLET DECK PRIOR TO PLACING BOXES ON THE PALLET. LOAD STRAPS MUST BE TENSIONED AND SEALED PRIOR TO APPLICATION OF TIEDOWN STRAPS.
- INSTALL EACH TIEDOWN STRAP TO PASS UNDER THE DECK/STRINGER BOARDS OF THE PALLET. TIEDOWN STRAPS WILL NOT BE APPLIED UNTIL THE LOAD STRAPS HAVE BEEN TENSIONED AND SEALED.
- THE FOLLOWING DARCOM DRAWINGS ARE APPLICABLE FOR OUTLOADING AND STORAGE OF THE ITEMS COVERED BY THIS APPENDIX.

| | | |
|--------------|-------|---|
| CARLOADING | ----- | DRAWING 19-48-4115-5PA1002 |
| TRUCKLOADING | ----- | DRAWING 19-48-4117-11PA1003 |
| STORAGE | ----- | DRAWING 19-48-4118-1-2-3-4-16-22PA1002. |
- FOR METHOD OF SECURING A STRAP CUTTER TO THE PALLET UNIT, SEE DARCOM DRAWING 19-48-4127-20P1000.
- IF ITEMS COVERED HEREIN ARE UNITIZED PRIOR TO ISSUANCE OF THIS APPENDIX, THE BOXES NEED NOT BE REUNITIZED SOLELY TO CONFORM TO THIS APPENDIX.
- THE UNITIZATION PROCEDURES DEPICTED HEREIN MAY ALSO BE USED FOR UNITIZING FUZES, WHEN IDENTIFIED BY DIFFERENT NATIONAL STOCK NUMBERS (NSN) THAN WHAT IS SHOWN ON THE TITLE PAGE, PROVIDED THE BOX PACK DOES NOT VARY FROM WHAT IS DELINEATED HEREIN. THE EXPLOSIVE CLASSIFICATION OF OTHER ITEMS MAY BE DIFFERENT THAN WHAT IS SHOWN.
- WHEN THE UNIT LOAD DEPICTED AT LEFT IS TO BE USED FOR UNITIZING MARINE CORPS AMMUNITION, ONE LAYER OF BOXES MUST BE OMITTED, TIEDOWN STRAP LENGTHS MUST BE DECREASED TO 10'-5", AND LOAD STRAP LENGTHS MUST BE DECREASED TO 11'-7". THIS WILL RESULT IN AN OVERALL UNIT HEIGHT OF 20-3/8", A GROSS UNIT WEIGHT OF 1,743 POUNDS, AND A UNIT CUBE OF 23.1 CU FT.



FILLER ASSEMBLY

(FOR MINUS ONE BOX)