

APPENDIX 156A

UNITIZATION PROCEDURES FOR BOXED AMMUNITION AND COMPONENTS ON 4-WAY ENTRY PALLETS

FUZE, POINT DETONATING AND/OR MECHANICAL TIME,
PACKED 25 PER WOODEN BOX, UNITIZED 30 BOXES PER
35" X 45 $\frac{1}{8}$ " PALLET; APPROX BOX SIZE 18" L X 15 $\frac{7}{8}$ " W X
9 $\frac{1}{8}$ " H

PALLET UNIT DATA						
ITEMS INCLUDED		HAZARD CLASSIFICATION ^①				WEIGHT (LBS)
NSN	DODIC	DOT CLASS	CG CLASS	QD CLASS	COMP GROUP	
1390-						
00-889-2014	N335	A	VI	1.1	B	3,011
00-028-4909	N275	C	III	(04)1.2	B	1,541
00-028-4914	N276	C	I	1.4	B	2,171

NOTICE: THIS APPENDIX CANNOT STAND ALONE BUT MUST
BE USED IN CONJUNCTION WITH THE BASIC UNITIZATION
PROCEDURES DRAWING 19-48-4116-20PA1002.

^①HAZARD CLASSIFICATION DATA CONTAINED IN THE ABOVE
CHART IS FOR GUIDANCE AND INFORMATIONAL PURPOSES
ONLY. VERIFICATION OF THE SPECIFIED DATA SHOULD BE
MADE BY CONSULTING THE MOST RECENT JOINT HAZARD
CLASSIFICATION SYSTEM LISTING OR OTHER APPROVED
LISTING(S).

DO NOT SCALE

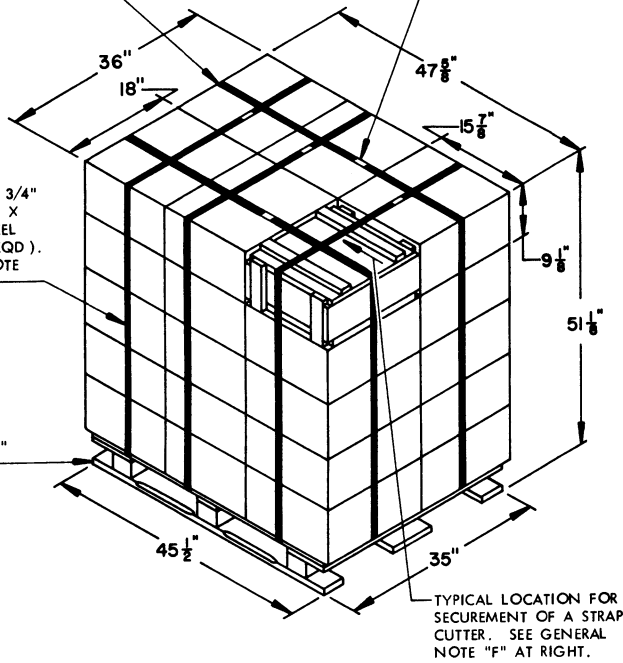
REVISIONS				PROJ ENG <i>Wick</i>	PROJ ENG <i>Wick</i>
				CHECKER <i>RSW</i>	LOG ENGNG OFFICE <i>John Boyd</i>
				APPROVED, U. S. ARMY ARMAMENT, MUNITIONS AND CHEMICAL COMMAND	
				<i>Keith Henton</i> <i>RSW</i>	
				DRSMC-LEP DRSMC-TMR	
				APPROVED BY ORDER OF COMMANDING GENERAL, U. S. ARMY MATERIEL DEVELOPMENT AND READINESS COMMAND (DARCOM)	
				<i>John T. ...</i> U. S. ARMY DEFENSE AMMUNITION CENTER AND SCHOOL	
U. S. ARMY DARCOM DRAWING					
NOVEMBER 1983					
CLASS	DIVISION	DRAWING	FILE		
19	48	4116/ 156A	20PA 1002		

LOAD STRAP, 3/4" X .035" OR .031" X 16'-8" LONG STEEL STRAPPING (2 REQ'D). SEE GENERAL NOTE "C" AT RIGHT.

SEAL FOR 3/4" STRAPPING (5 REQ'D, 1 PER STRAP). CRIMP EACH SEAL WITH TWO PAIR OF NOTCHES.

TIEDOWN STRAP, 3/4" X .035" OR .031" X 14'-9" LONG STEEL STRAPPING (3 REQ'D). SEE GENERAL NOTE "D" AT RIGHT.

35" X 45-1/2" PALLET.



PALLET UNIT

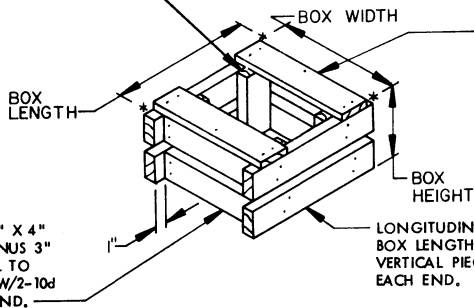
SEE GENERAL NOTE "B" AT RIGHT.

30 BOXES OF FUZES, (25 PER BOX) @ 98 LBS	2,940 LBS (APPROX)
DUNNAGE	6 LBS
PALLET	65 LBS
TOTAL WEIGHT	3,011 LBS (APPROX)
CUBE	50.7 CU FT (APPROX)

BILL OF MATERIAL

PALLET, 35" X 45-1/2"	1 REQ'D	65 LBS
STEEL STRAPPING, 3/4"	77.58 REQ'D	5.54 LBS
SEAL FOR 3/4" STRAPPING	5 REQ'D	NIL

VERTICAL PIECE, 2" X 4" X BOX HEIGHT MINUS 3/4" (4 REQ'D).



TIE PIECE, 1" X 4" X BOX WIDTH (2 REQ'D). NAIL TO LONGITUDINAL PIECES W/2-6d NAILS AT EACH END AND TO LATERAL PIECE W/1-6d NAIL.

LATERAL PIECE, 2" X 4" X BOX WIDTH MINUS 3" (4 REQ'D). NAIL TO VERTICAL PIECES W/2-10d NAILS AT EACH END.

LONGITUDINAL PIECE, 2" X 4" X BOX LENGTH (4 REQ'D). NAIL TO VERTICAL PIECES W/2-10d NAILS AT EACH END.

FILLER ASSEMBLY

(FOR MINUS ONE BOX)

GENERAL NOTES

- THIS APPENDIX CANNOT STAND ALONE BUT MUST BE USED IN CONJUNCTION WITH THE BASIC UNITIZATION PROCEDURES DRAWING 19-48-4116-20PA1002. TO PRODUCE AN APPROVED UNIT LOAD, ALL PERTINENT PROCEDURES, SPECIFICATIONS AND CRITERIA SET FORTH WITHIN THE BASIC DRAWING WILL APPLY TO THE PROCEDURES DELINEATED IN THIS APPENDIX. ANY EXCEPTIONS TO THE BASIC PROCEDURES ARE SPECIFIED IN THIS APPENDIX.
- DIMENSIONS, CUBE AND WEIGHT OF A PALLET UNIT WILL VARY SLIGHTLY DEPENDING UPON THE ACTUAL DIMENSIONS OF THE BOXES AND THE WEIGHT OF THE SPECIFIC ITEM BEING UNITIZED.
- THE LOAD STRAPS WILL BE THREADED THROUGH THE STRAP SLOTS OF THE PALLET. LOAD STRAPS MUST BE TENSIONED AND SEALED PRIOR TO APPLICATION OF TIEDOWN STRAPS.
- INSTALL EACH TIEDOWN STRAP TO PASS UNDER THE TOP DECK BOARDS OF THE PALLET AND TO BE LOCATED BETWEEN THE VERTICAL END CLEATS OF THE BOXES. TIEDOWN STRAPS WILL NOT BE APPLIED UNTIL THE LOAD STRAPS HAVE BEEN TENSIONED AND SEALED.
- THE FOLLOWING DARCOM DRAWINGS ARE APPLICABLE FOR OUTLOADING AND STORAGE OF THE ITEMS COVERED BY THIS APPENDIX.

CARLOADING	-----	DRAWING 19-48-4115-5PA1002
TRUCKLOADING	-----	DRAWING 19-48-4117-11PA1003
STORAGE	-----	DRAWING 19-48-4118-1-2-3-4-14-22PA1002.
- FOR METHOD OF SECURING A STRAP CUTTER TO THE PALLET UNIT, SEE DARCOM DRAWING 19-48-4127-20P1000.
- IF ITEMS COVERED HEREIN ARE UNITIZED PRIOR TO ISSUANCE OF THIS APPENDIX, THE BOXES NEED NOT BE REUNITIZED SOLELY TO CONFORM TO THIS APPENDIX.
- THE UNITIZATION PROCEDURES DEPICTED HEREIN MAY ALSO BE USED FOR UNITIZING FUZES WHEN IDENTIFIED BY DIFFERENT NATIONAL STOCK NUMBERS (NSN) THAN WHAT IS SHOWN ON THE TITLE PAGE, PROVIDED THE BOX PACK DOES NOT VARY FROM WHAT IS DELINEATED HEREIN. THE EXPLOSIVE CLASSIFICATION OF OTHER ITEMS MAY BE DIFFERENT THAN WHAT IS SHOWN.
- WHEN THE UNIT LOAD DEPICTED AT LEFT IS TO BE USED FOR UNITIZING MARINE CORPS AMMUNITION, ONE LAYER OF BOXES MUST BE OMITTED, TIEDOWN STRAP LENGTHS MUST BE DECREASED TO 13'-2", AND LOAD STRAP LENGTHS MUST BE DECREASED TO 15'-2". THIS WILL RESULT IN AN OVERALL UNIT HEIGHT OF 42", A GROSS UNIT WEIGHT OF 2,352 POUNDS, AND A UNIT CUBE OF 41.7 CUBIC FEET. ADDITIONALLY, THE UNIT LOAD MAY BE MODIFIED AS DESCRIBED WHEN BEING SHIPPED BY MILVAN OR COMMERCIAL INTERMODAL FREIGHT CONTAINER, CONVENTIONAL VAN TRAILER OR CONVENTIONAL OR HIGH-CAPACITY BOXCAR. THE DETERMINATION TO REDUCE THE LOAD BY A LAYER FOR TRANSPORTATION WILL BE MADE BY THE RESPONSIBLE COMMAND AND WILL BE BASED UPON ECONOMICS OF TRANSPORTATION AND HANDLING.