

APPENDIX 141

UNITIZATION PROCEDURES FOR BOXED AMMUNITION AND COMPONENTS ON 4-WAY ENTRY PALLETS

EXPLOSIVES, BULK, PACKED IN M2 METAL
CONTAINER, UNITIZED 12 CONTAINERS PER 40"
X 48" PALLET; APPROX CONTAINER SIZE
16 $\frac{1}{4}$ " L X 9 $\frac{3}{4}$ " W X 28 $\frac{3}{8}$ " H

| PALLET UNIT DATA | | | | | | |
|------------------|--------|------------------------------------|------|-----|------|-----------------|
| ITEMS INCLUDED | | HAZARD CLASSIFICATION ^① | | | | WEIGHT (LBS) |
| NSN | DOD IC | DOT | CG | QD | COMP | |
| 1376-00-451-2881 | | A | IX-B | 1.1 | C | 1,982 |

NOTICE: THIS APPENDIX CANNOT STAND ALONE BUT MUST BE USED IN CONJUNCTION WITH THE BASIC UNITIZATION PROCEDURES DRAWING 19-48-4116-20PA1002.

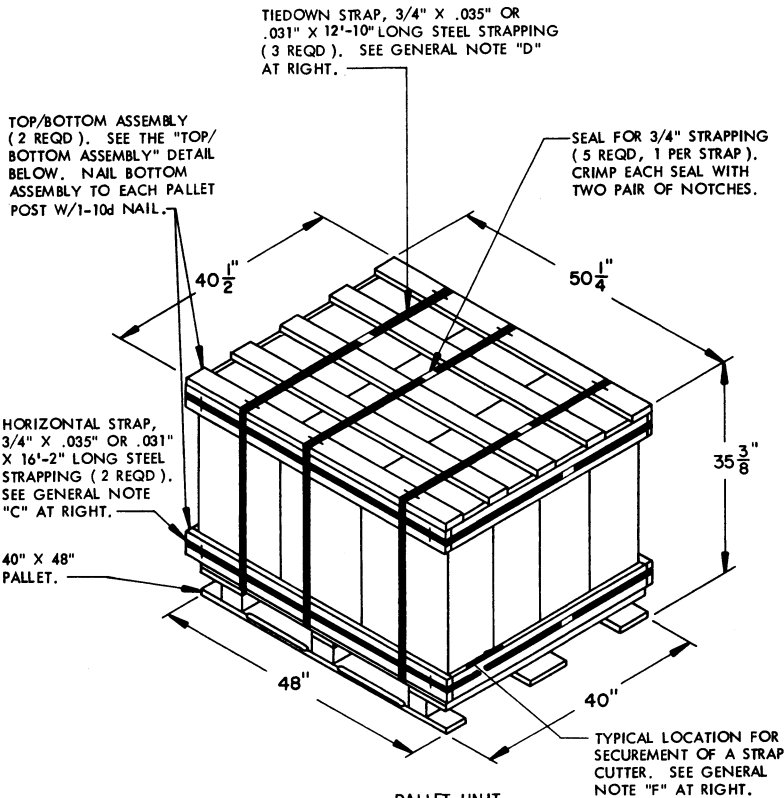
① HAZARD CLASSIFICATION DATA CONTAINED IN THE ABOVE CHART IS FOR GUIDANCE AND INFORMATIONAL PURPOSES ONLY. VERIFICATION OF THE SPECIFIED DATA SHOULD BE MADE BY CONSULTING THE MOST RECENT JOINT HAZARD CLASSIFICATION SYSTEM LISTING OR OTHER APPROVED LISTING(S).

| REVISIONS | | | | DRAFTSMAN <i>KAC/rh</i> | PROJ ENG <i>PAR/mtt</i> |
|-----------|--|--|--|--|-------------------------------|
| | | | | CHECKER <i>SKS</i> | LOG ENGR OFFICE <i>mtt</i> |
| | | | | APPROVED U.S. ARMY ARMAMENT, MUNITIONS AND CHEMICAL COMMAND | |
| | | | | <i>Math Newton</i> DRSIC - LEP DRSIC - TMO | |
| | | | | APPROVED BY ORDER OF COMMANDING GENERAL, U.S. ARMY MATERIEL DEVELOPMENT AND READINESS COMMAND (DARCOM) <i>John S. ...</i> U.S. ARMY DEFENSE AMMUNITION CENTER AND SCHOOL | |
| | | | | U.S. ARMY DARCOM DRAWING | |
| | | | | NOVEMBER 1983 | |
| | | | | CLASS | DIVISION |
| | | | | DRAWING | FILE |
| | | | | 19 | 48 |
| | | | | 4116/ 141 | 20PA 1002 |

DO NOT SCALE

GENERAL NOTES

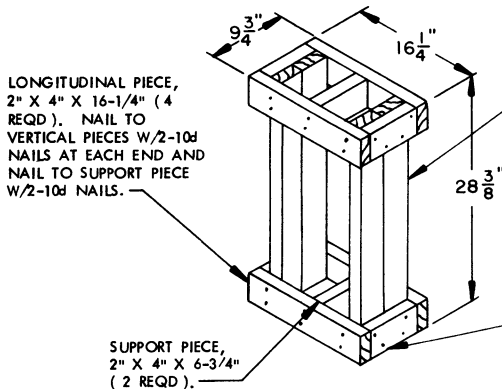
- A. THIS APPENDIX CANNOT STAND ALONE BUT MUST BE USED IN CONJUNCTION WITH BASIC UNITIZATION PROCEDURES DRAWING 19-48-4116-20PA1002. TO PRODUCE AN APPROVED UNIT LOAD, ALL PERTINENT PROCEDURES, SPECIFICATIONS AND CRITERIA SET FORTH WITHIN THE BASIC DRAWING WILL APPLY TO THE PROCEDURES DELINEATED IN THIS APPENDIX. ANY EXCEPTIONS TO THE BASIC DRAWING PROCEDURES ARE SPECIFIED IN THIS APPENDIX.
- B. DIMENSIONS, CUBE AND WEIGHT OF A PALLET UNIT WILL VARY SLIGHTLY DEPENDING UPON THE ACTUAL DIMENSIONS OF THE BOXES AND THE WEIGHT OF THE SPECIFIC ITEM BEING UNITIZED.
- C. INSTALL THE HORIZONTAL STRAPS TO ENCIRCLE A DUNNAGE ASSEMBLIES. HORIZONTAL STRAPS MUST BE TENSIONED AND SEALED PRIOR TO THE APPLICATION OF TIEDOWN STRAPS.
- D. INSTALL EACH TIEDOWN STRAP TO PASS UNDER THE TOP DECK BOARDS OF THE PALLET AND TO BE LOCATED AS SHOWN. TIEDOWN STRAPS WILL NOT BE APPLIED UNTIL THE HORIZONTAL STRAPS HAVE BEEN TENSIONED AND SEALED.
- E. THE FOLLOWING DARCOM DRAWINGS ARE APPLICABLE FOR OUTLOADING AND STORAGE OF THE ITEMS COVERED BY THIS APPENDIX.
 CARLOADING-----DRAWING 19-48-4115-5PA1002
 TRUCKLOADING -----DRAWING 19-48-4117-11PA1003
 STORAGE-----DRAWING 19-48-4118-1-2-3-4-14-22PA1002
- F. FOR METHOD OF SECURING A STRAP CUTTER TO THE PALLET UNIT, SEE DARCOM DRAWING 19-48-4127-20P1000.
- G. IF ITEMS COVERED HEREIN ARE UNITIZED PRIOR TO ISSUANCE OF THIS APPENDIX, THE BOXES NEED NOT BE REUNITIZED SOLELY TO CONFORM TO THIS APPENDIX.
- H. THE UNITIZATION PROCEDURES DEPICTED HEREIN MAY ALSO BE USED FOR UNITIZING EXPLOSIVES, BULK, WHEN IDENTIFIED BY DIFFERENT NATIONAL STOCK NUMBERS (NSN) THAN WHAT IS SHOWN ON THE TITLE PAGE, PROVIDED THE BOX PACK DOES NOT VARY FROM WHAT IS DELINEATED HEREIN. THE EXPLOSIVE CLASSIFICATION OF OTHER ITEMS MAY BE DIFFERENT THAN WHAT IS SHOWN.



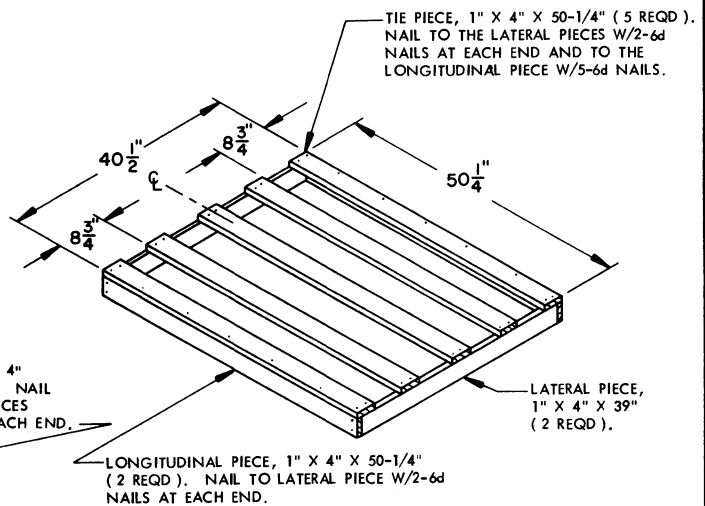
PALLET UNIT
SEE GENERAL NOTE "B" AT RIGHT.

| | |
|--|------------------------------|
| 12 M2 CONTAINERS W/M1 PROPELLANT @ 154 LBS ----- | 1,848 LBS (APPROX) |
| DUNNAGE----- | 54 LBS |
| PALLET ----- | 80 LBS |
| TOTAL WEIGHT----- | 1,982 LBS (APPROX) |
| CUBE----- | 41.7 CU FT (APPROX) |

| BILL OF MATERIAL | | |
|-------------------------------|------------------|------------|
| LUMBER | LINEAR FEET | BOARD FEET |
| 1" X 4" | 71.63 | 23.88 |
| NAILS | NO. REQD | POUNDS |
| 6d (2") | 76 | 0.50 |
| 10d (3") | 9 | 0.14 |
| PALLET, 40" X 48"----- | 1 REQD ----- | 80 LBS |
| STEEL STRAPPING, 3/4"----- | 70.83 REQD ----- | 5.06 LBS |
| SEAL FOR 3/4" STRAPPING ----- | 5 REQD ----- | NIL |
| STAPLE, 15/16" X 3/4"----- | 14 REQD ----- | NIL |



FILLER ASSEMBLY
(FOR MINUS ONE BOX)



TOP/BOTTOM ASSEMBLY
(2 REQD)