

APPENDIX 131

UNITIZATION PROCEDURES FOR BOXED AMMUNITION AND COMPONENTS ON 4-WAY ENTRY PALLETS

IGNITER, TIME BLASTING FUSE, PACKED 300
PER WOODEN BOX, UNITIZED 32 BOXES PER 40"
X 48" PALLET; APPROX BOX SIZE 21-3/16" L
X 11-5/8" W X 12-3/4" H

NOTICE: THIS APPENDIX CANNOT STAND ALONE BUT MUST BE USED IN CONJUNCTION WITH
THE BASIC UNITIZATION PROCEDURES DRAWING 19-48-4116-20PA1002.

DISTRIBUTION STATEMENT A.

APPROVED FOR PUBLIC RELEASE;
DISTRIBUTION IS UNLIMITED.

U. S. ARMY MATERIEL COMMAND DRAWING			
APPROVED, U. S. ARMY INDUSTRIAL OPERATIONS COMMAND <i>MLH</i> <i>[Signature]</i> AMSTA-AR-ESK AMSIO-TMJ	DRAFTSMAN	BETTY J. KUNDERT	
	ENGINEER	SANDRA M. SCHULTZ	
	SUPPLY ENGINEERING DIVISION	TRANSPORTATION ENGINEERING DIVISION	VALIDATION ENGINEERING DIVISION
APPROVED BY ORDER OF COMMANDING GENERAL, U. S. ARMY MATERIEL COMMAND <i>[Signature]</i> U. S. ARMY DEFENSE AMMUNITION CENTER	LOGISTICS ENGINEERING OFFICE <i>[Signature]</i>		
	MARCH 1983		
	CLASS	DIVISION	DRAWING
REVISION NO. 3	19	48	4116/ 131
SEE THE REVISION LISTING ON PAGE 2	FEBRUARY 1998		20PA 1002

DO NOT SCALE

PALLET UNIT DATA				
ITEMS INCLUDED		HAZARD CLASS AND DIVISION ●		APPROX WEIGHT LBS
NSN	DODIC	OD CLASS	COMP GROUP	
1375-00-691-1671	M766	1.4	S	2,104

● HAZARD CLASSIFICATION DATA CONTAINED IN THE ABOVE CHART IS FOR GUIDANCE AND INFORMATIONAL PURPOSES ONLY. VERIFICATION OF THE SPECIFIED DATA SHOULD BE MADE BY CONSULTING THE MOST RECENT JOINT HAZARD CLASSIFICATION SYSTEM LISTING OR OTHER APPROVED LISTING(S).

REVISIONS

REVISION NO. 1, DATED SEPTEMBER 1987, CONSISTS OF:

1. CHANGING BOX WEIGHT.
2. UPDATING DRAWING TO CONFORM TO 1.

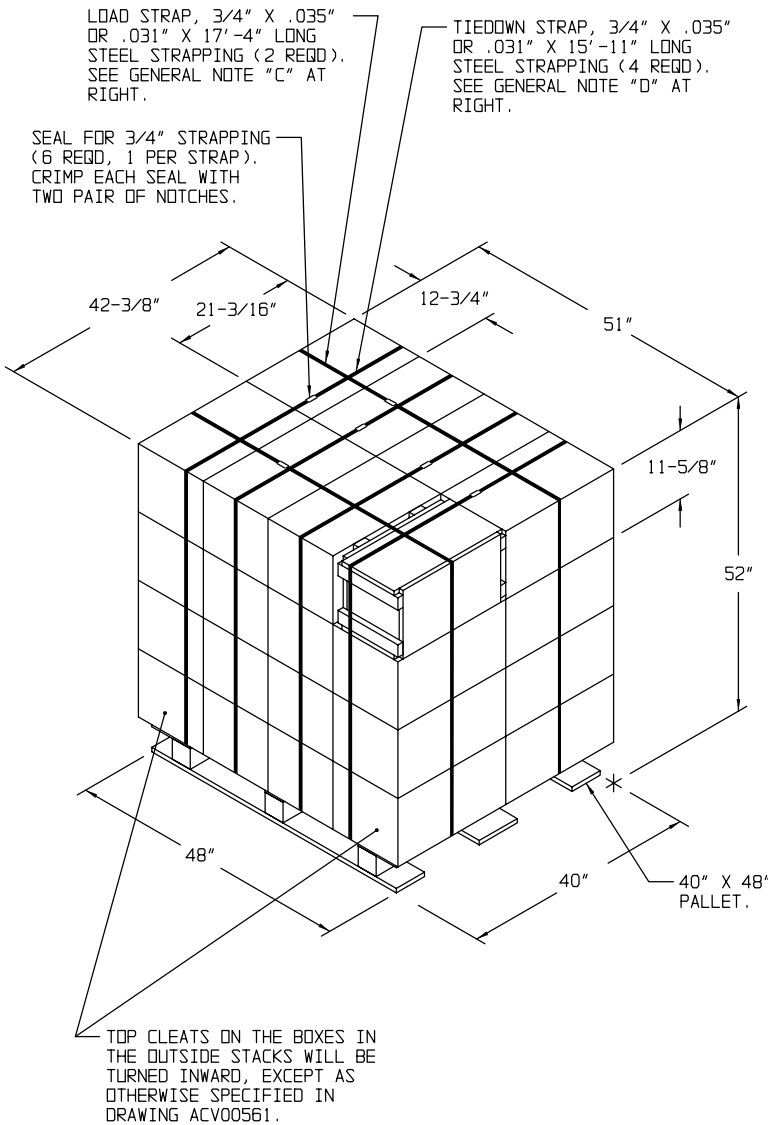
REVISION NO. 2, DATED SEPTEMBER 1995 CONSISTS OF:

1. ADDING ITEM BY NATIONAL STOCK NUMBER (NSN) TO "PALLET UNIT DATA" CHART.

REVISION NO. 3, DATED FEBRUARY 1998, CONSISTS OF:

1. DELETING ITEM BY NATIONAL STOCK NUMBER (NSN) FROM "PALLET UNIT DATA" CHART.
2. DELETING GENERAL NOTE RELATING TO THE STRAP CUTTER AND RE-LETTERING OTHER GENERAL NOTES.

GENERAL NOTES



- A. THIS APPENDIX CANNOT STAND ALONE BUT MUST BE USED IN CONJUNCTION WITH THE BASIC UNITIZATION PROCEDURES DRAWING 19-48-4116-20PA1002. TO PRODUCE AN APPROVED UNIT LOAD, ALL PERTINENT PROCEDURES, SPECIFICATIONS AND CRITERIA SET FORTH WITHIN THE BASIC DRAWING WILL APPLY TO THE PROCEDURES DELINEATED IN THIS APPENDIX. ANY EXCEPTIONS TO THE BASIC PROCEDURES ARE SPECIFIED IN THIS APPENDIX.
- B. DIMENSIONS, CUBE AND WEIGHT OF A PALLET UNIT WILL VARY SLIGHTLY DEPENDING UPON THE ACTUAL DIMENSIONS OF THE BOXES AND THE WEIGHT OF THE SPECIFIC ITEM BEING UNITIZED.
- C. THE LOAD STRAPS MAY BE THREADED THROUGH THE STRAP SLOTS OF A PALLET OR PRE-POSITIONED ON THE PALLET DECK PRIOR TO PLACING BOXES ON THE PALLET. LOAD STRAPS MUST BE TENSIONED AND SEALED PRIOR TO APPLICATION OF TIEDOWN STRAPS.
- D. INSTALL EACH TIEDOWN STRAP TO PASS UNDER THE DECK BOARDS OF THE PALLET AND TO BE LOCATED AS SHOWN. TIEDOWN STRAPS WILL NOT BE APPLIED UNTIL THE LOAD STRAPS HAVE BEEN TENSIONED AND SEALED.
- E. THE FOLLOWING AMC DRAWINGS ARE APPLICABLE FOR OUTLOADING AND STORAGE OF THE ITEMS COVERED BY THIS APPENDIX.
 - CARLOADING - - - - 19-48-4115-5PA1002
 - TRUCKLOADING - - - 19-48-4117-11PA1003
 - STORAGE - - - - - 19-48-4118-1-2-3-4-14-22PA1002
 - END OPENING ISO CONTAINER - - - - 19-48-4153-15PA1002
 - MILVAN - - - - - 19-48-4166-15PA1003
 - SIDE OPENING ISO CONTAINER - - - - 19-48-4267-15PA1009
- F. IF ITEMS COVERED HEREIN ARE UNITIZED PRIOR TO ISSUANCE OF THIS APPENDIX, THE BOXES NEED NOT BE REUNITIZED SOLELY TO CONFORM TO THIS APPENDIX.
- G. THE UNITIZATION PROCEDURES DEPICTED HEREIN MAY ALSO BE USED FOR UNITIZING MARINE CORPS AMMUNITION, ONE LAYER OF BOXES MUST BE OMITTED, TIEDOWN STRAP LENGTHS MUST BE DECREASED TO 14'-0", AND LOAD STRAP LENGTHS MUST BE DECREASED TO 15'-5". THIS WILL RESULT IN AN OVERALL UNIT HEIGHT OF 40'-3/8", A GROSS UNIT WEIGHT OF 1,431 POUNDS, AND A UNIT CUBE OF 50.5 CUBIC FEET. ADDITIONALLY, THE UNIT MAY BE MODIFIED AS DESCRIBED WHEN BEING SHIPPED BY MILVAN OR COMMERCIAL INTERMODAL FREIGHT CONTAINER. THE DETERMINATION TO REDUCE THE LOAD BY A LAYER FOR TRANSPORTATION WILL BE MADE BY THE RESPONSIBLE COMMAND AND WILL BE BASED UPON ECONOMICS OF TRANSPORTATION AND HANDLING.
- H. WHEN THE UNIT LOAD DEPICTED AT LEFT IS TO BE USED FOR UNITIZING MARINE CORPS AMMUNITION, ONE LAYER OF BOXES MUST BE OMITTED, TIEDOWN STRAP LENGTHS MUST BE DECREASED TO 14'-0", AND LOAD STRAP LENGTHS MUST BE DECREASED TO 15'-5". THIS WILL RESULT IN AN OVERALL UNIT HEIGHT OF 40'-3/8", A GROSS UNIT WEIGHT OF 1,431 POUNDS, AND A UNIT CUBE OF 50.5 CUBIC FEET. ADDITIONALLY, THE UNIT MAY BE MODIFIED AS DESCRIBED WHEN BEING SHIPPED BY MILVAN OR COMMERCIAL INTERMODAL FREIGHT CONTAINER. THE DETERMINATION TO REDUCE THE LOAD BY A LAYER FOR TRANSPORTATION WILL BE MADE BY THE RESPONSIBLE COMMAND AND WILL BE BASED UPON ECONOMICS OF TRANSPORTATION AND HANDLING.
- J. THE STYLE 1 PALLET DELINEATED IN THE DETAIL AT LEFT NEED NOT HAVE CHAMFERS OR STRAP SLOTS AS SPECIFIED WITHIN MILITARY SPECIFICATION MIL-P-15011 WHEN USED FOR THE UNITIZATION OF ITEMS COVERED BY THIS APPENDIX.

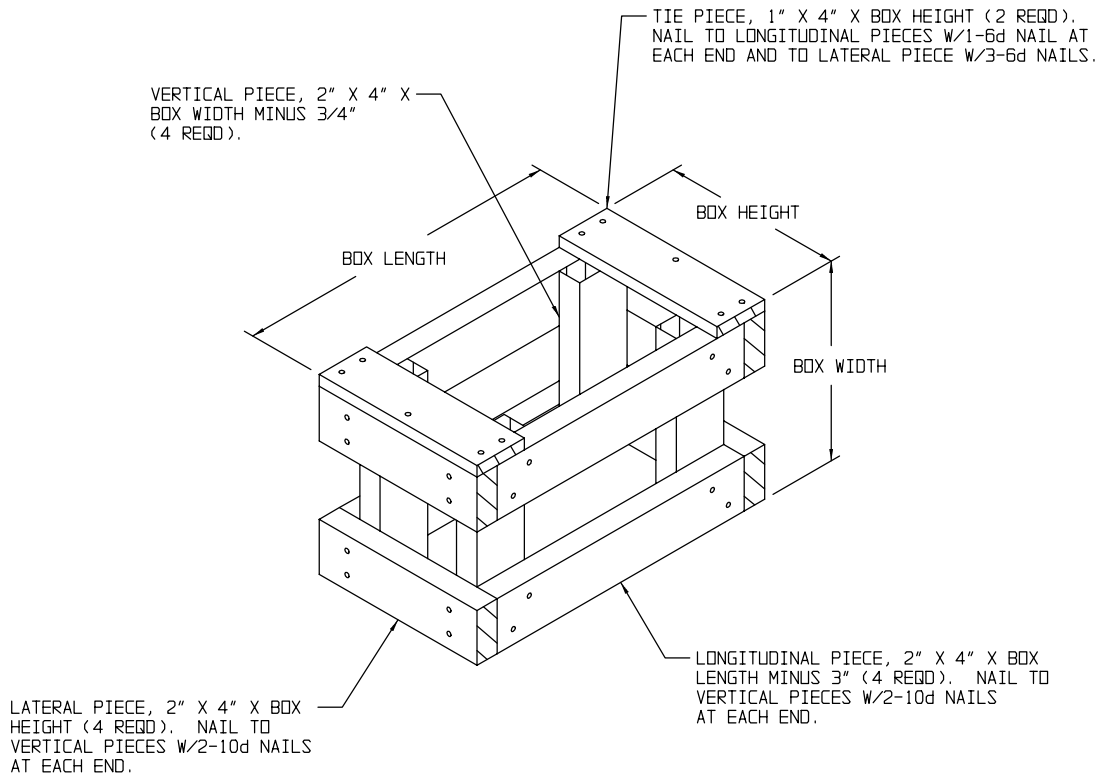
PALLET UNIT

SEE GENERAL NOTE "B" AT RIGHT.

32 BOXES OF IGNITER (300 PER BOX) AT 63 LBS	- - - -	2,016 LBS (APPROX)
DUNNAGE	- - - -	8 LBS
PALLET	- - - -	80 LBS
<hr/>		
TOTAL WEIGHT	- - - -	2,104 LBS (APPROX)
CUBE	- - - -	65.0 CU FT (APPROX)

BILL OF MATERIAL

PALLET, 40" X 48"	- - - -	1 REQD	- - - -	80 LBS
STEEL STRAPPING, 3/4"	- -	98.33' REQD	- - -	7.02 LBS
SEAL FOR 3/4" STRAPPING	- - -	6 REQD	- - - -	NIL



FILLER ASSEMBLY
(FOR MINUS ONE BOX)