

APPENDIX 128J

UNITIZATION PROCEDURES FOR BOXED AMMUNITION AND COMPO- NENTS ON 4-WAY ENTRY PALLETS

**TIME DELAY SYMPATHETIC DETONATOR, M153,
PACKED 8 PER PA108 SERIES METAL CONTAINER,
1 CONTAINER PER WIREBOUND BOX, UNITIZED 60
BOXES PER 40" X 48" PALLET; APPROX BOX SIZE
9-5/8" L X 13-3/8" W X 9-3/8" H**

NOTICE: THIS APPENDIX CANNOT STAND ALONE BUT MUST BE USED IN CONJUNCTION WITH THE BASIC UNITIZATION PROCEDURES DRAWING 19-48-4116-20PA1002.

DISTRIBUTION STATEMENT A:

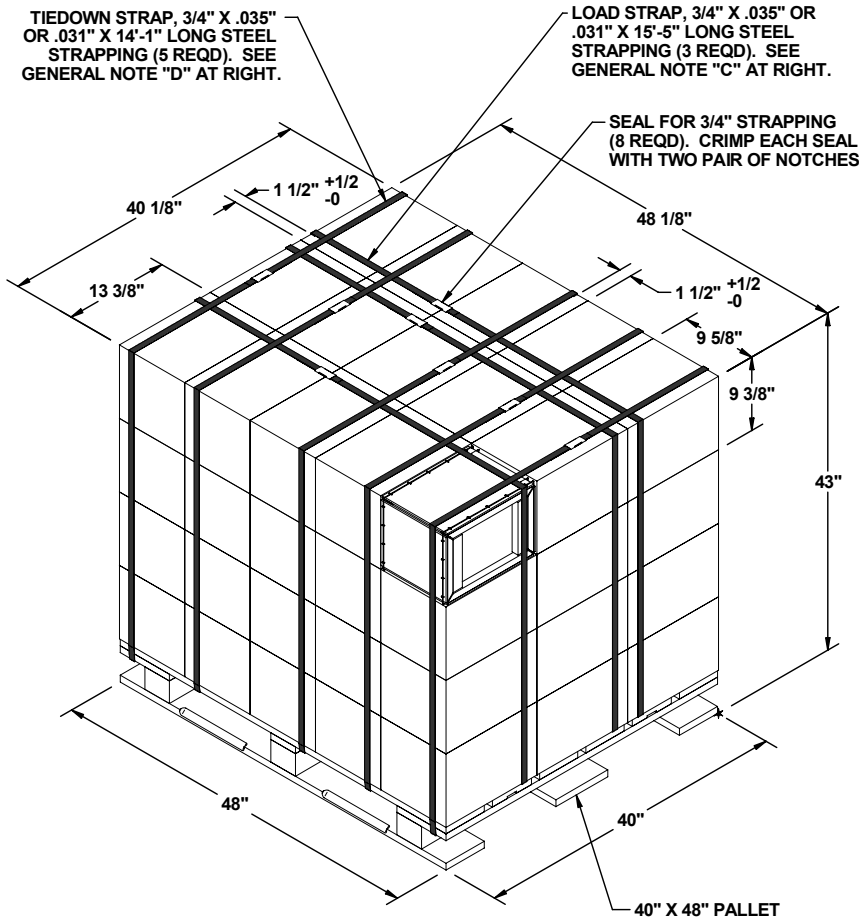
APPROVED FOR PUBLIC RELEASE
DISTRIBUTION IS UNLIMITED.

U.S. ARMY MATERIEL COMMAND DRAWING

APPROVED, U.S. ARMY RESEARCH, DEVELOPMENT AND ENGINEERING COMMAND TPK <i>Mark Redmond</i> AMSRD-AAR-AIL-TP(R)	CAUTION: VERIFY PRIOR TO USE AT WWW.DAC.ARMY.MIL THAT THIS IS THE MOST CURRENT VERSION OF THIS DOCUMENT. THIS IS PAGE 1 OF 4.										
APPROVED, U.S. ARMY JOINT MUNITIONS COMMAND <i>Robert Coulman</i> AMSJM-LIT	DO NOT SCALE		JUNE 2007								
APPROVED BY ORDER OF COMMANDING GENERAL, U.S. ARMY MATERIEL COMMAND <i>Charles Sproo</i> U.S. ARMY DEFENSE AMMUNITION CENTER	ENGINEER OR TECHNICIAN TRANSPORTATION ENGINEERING DIVISION VALIDATION ENGINEERING DIVISION ENGINEERING DIRECTORATE	BASIC REV. <i>MELVIN SIX</i> <i>Paula C. Zeff</i> TESTED <i>Cheryl W. [Signature]</i>	<table border="1" style="width: 100%; border-collapse: collapse;"> <tr> <td style="width: 15%;">CLASS</td> <td style="width: 15%;">DIVISION</td> <td style="width: 15%;">DRAWING</td> <td style="width: 15%;">FILE</td> </tr> <tr> <td style="text-align: center;">19</td> <td style="text-align: center;">48</td> <td style="text-align: center;">4116/ 128J</td> <td style="text-align: center;">20PA1002</td> </tr> </table>	CLASS	DIVISION	DRAWING	FILE	19	48	4116/ 128J	20PA1002
CLASS	DIVISION	DRAWING	FILE								
19	48	4116/ 128J	20PA1002								

PALLET UNIT DATA				
ITEMS INCLUDED		*HAZARD CLASS AND DIVISION	*COMPATIBILITY GROUP	APPROX WEIGHT (LBS)
NSN	DODIC			
1375-01-514-1730	MN91	1.4	S	1,711

*HAZARD AND CLASSIFICATION DATA CONTAINED IN THE ABOVE CHART IS FOR GUIDANCE AND INFORMATIONAL PURPOSES ONLY. VERIFICATION OF THE SPECIFIED DATA SHOULD BE MADE BY CONSULTING THE MOST RECENT JOINT HAZARD CLASSIFICATION SYSTEM LISTING OR OTHER APPROVED LISTING(S).



PALLET UNIT
SEE GENERAL NOTE "B" AT RIGHT.

60 BOXES OF DETONATORS (8 PER BOX) @ 27 LBS	-----	1,620 LBS
DUNNAGE	-----	11 LBS
PALLET	-----	80 LBS
TOTAL WEIGHT	-----	1,711 LBS (APPROX)
CUBE	-----	48.1 CU FT (APPROX)

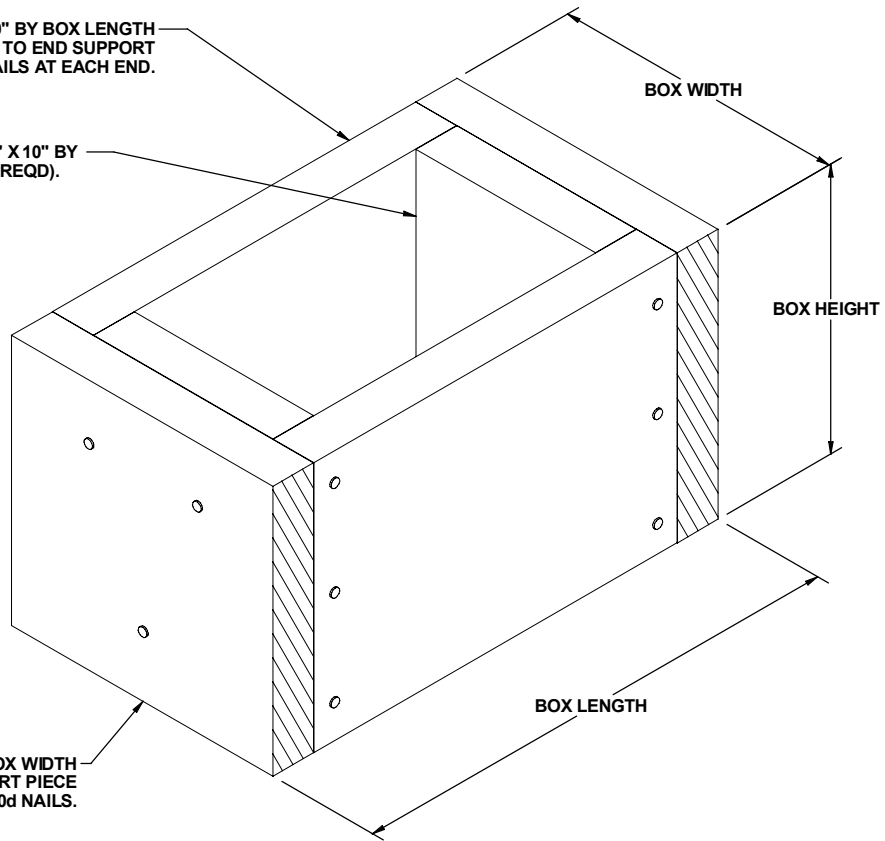
BILL OF MATERIAL	
PALLET, 40" X 48"	1 REQD ----- 80 LBS
STEEL STRAPPING, 3/4"	116.67' REQD ----- 10.42 LBS
SEAL FOR 3/4" STRAPPING	8 REQD ----- NIL

GENERAL NOTES

- A. THIS APPENDIX CANNOT STAND ALONE BUT MUST BE USED IN CONJUNCTION WITH THE BASIC UNITIZATION PROCEDURES DRAWING 19-48-4116-20PA1002. TO PRODUCE AN APPROVED UNIT LOAD, ALL PERTINENT PROCEDURES, SPECIFICATIONS AND CRITERIA SET FORTH WITHIN THE BASIC DRAWING WILL APPLY TO THE PROCEDURES DELINEATED IN THIS APPENDIX. ANY EXCEPTIONS TO THE BASIC PROCEDURES ARE SPECIFIED IN THIS APPENDIX.
- B. DIMENSIONS, CUBE AND WEIGHT OF A PALLET UNIT WILL VARY SLIGHTLY DEPENDING UPON THE ACTUAL DIMENSIONS OF THE BOXES AND THE WEIGHT OF THE SPECIFIC ITEM BEING UNITIZED.
- C. THE LOAD STRAPS MUST BE PRE-POSITIONED ON THE PALLET DECK PRIOR TO PLACING BOXES ON THE PALLET. NOTE THAT THE LOAD STRAPS WILL BE LOCATED AS SHOWN. LOAD STRAPS MUST BE TENSIONED AND SEALED PRIOR TO APPLICATION OF TIEDOWN STRAPS.
- D. INSTALL EACH TIEDOWN STRAP TO PASS UNDER THE DECK/STRINGER BOARDS OF THE PALLET AND TO BE LOCATED AS SHOWN. TIEDOWN STRAPS WILL NOT BE APPLIED UNTIL THE LOAD STRAPS HAVE BEEN TENSIONED AND SEALED.
- E. THE FOLLOWING AMC DRAWINGS ARE APPLICABLE FOR OUTLOADING AND STORAGE OF THE ITEMS COVERED BY THIS APPENDIX.
 - CARLOADING - - - - 19-48-4115-5PA1002
 - TRUCKLOADING - - - - 19-48-4117-11PA1003
 - STORAGE - - - - 19-48-4118-1-2-3-4-14-22PA1002
 - END OPENING ISO CONTAINER - - - - 19-48-4153-15PA1002
 - MILVAN - - - - 19-48-4166-15PA1003
 - SIDE OPENING ISO CONTAINER - - - - 19-48-4267-15PA1009
- F. IF ITEMS COVERED HEREIN ARE UNITIZED PRIOR TO ISSUANCE OF THIS APPENDIX, THE BOXES NEED NOT BE REUNITIZED SOLELY TO CONFORM TO THIS APPENDIX.
- G. THE UNITIZATION PROCEDURES DEPICTED HEREIN MAY ALSO BE USED FOR UNITIZING TIME DELAY SYMPHETIC DETONATORS WHEN IDENTIFIED BY DIFFERENT NATIONAL STOCK NUMBERS (NSN) THAN WHAT IS SHOWN ON PAGE 2, PROVIDED THE BOX PACK DOES NOT VARY FROM WHAT IS DELINEATED HEREIN. THE EXPLOSIVE CLASSIFICATION OF OTHER ITEMS MAY BE DIFFERENT THAN WHAT IS SHOWN.
- H. THE STYLE 1 PALLET DELINEATED IN THE DETAIL AT LEFT NEED NOT HAVE CHAMFERS OR STRAP SLOTS AS SPECIFIED WITHIN MILITARY SPECIFICATION MIL-P-15011 WHEN USED FOR THE UNITIZATION OF ITEMS COVERED BY THIS APPENDIX.
- J. FOR DETAILS OF THE FED SPEC PPP-B-585 WOODEN BOX SEE DRAWING 11753419.

LONGITUDINAL PIECE, 2" X 10" BY BOX LENGTH MINUS 3" (2 REQD). NAIL TO END SUPPORT PIECES W/3-10d NAILS AT EACH END.

END SUPPORT PIECE, 2" X 10" BY BOX WIDTH MINUS 3" (2 REQD).



LATERAL PIECE, 2" X 10" BY BOX WIDTH (2 REQD). NAIL TO END SUPPORT PIECE W/3-10d NAILS.

FILLER ASSEMBLY
(FOR MINUS ONE BOX)