

APPENDIX 127H

UNITIZATION PROCEDURES FOR BOXED AMMUNITION AND COMPONENTS ON 4-WAY ENTRY PALLETS

CORD, DETONATING, PACKED 2 OR 4 PER WOODEN BOX,
UNITIZED 18 BOXES PER 42" X 53" PALLET; APPROX
BOX SIZE 30" L X 16" W X 14" H

PALLET UNIT DATA						
ITEMS INCLUDED		HAZARD CLASSIFICATION				WEIGHT (LBS)
NSN	DODIC	DOT CLASS	CG CLASS	QD CLASS	COMP GROUP	
1375-						
01-083-0699	M456	C	I	1.3	D	1,611
01-083-0700	M456	C	I	1.3	D	1,611

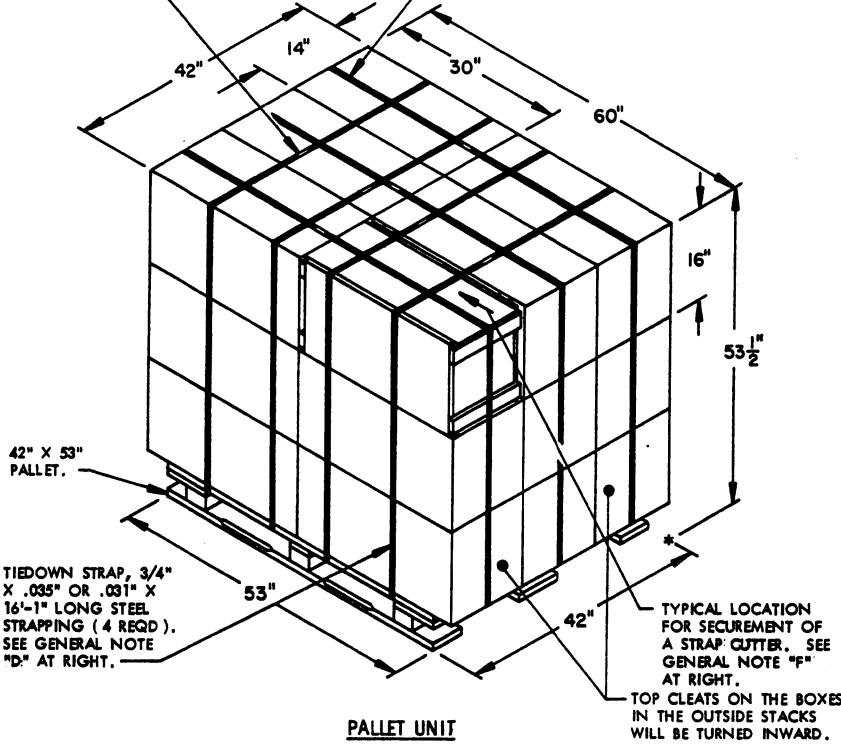
NOTICE: THIS APPENDIX CANNOT STAND ALONE BUT MUST BE USED IN CONJUNCTION WITH THE BASIC UNITIZATION PROCEDURES DRAWING 19-48-4116-20PA1002.

REVISIONS			DRAFTSMAN <i>WRF</i>	PROJ ENG <i>WRF/WWS</i>
			CHECKER <i>WRF</i>	LOG ENGRG OFFICE <i>WRF/WWS</i>
APPROVED, U. S. ARMY ARMAMENT MATERIEL READINESS COMMAND				
			<i>Keith A. Benton</i> DISAR - LEP <i>John L. Bygell</i> DISAR - LEP U. S. ARMY DEFENSE AMMUNITION CENTER AND SCHOOL	
APPROVED BY ORDER OF COMMANDING GENERAL, U. S. ARMY MATERIEL DEVELOPMENT AND READINESS COMMAND (DARCOM)				
U. S. ARMY DARCOM DRAWING				
JUNE 1982				
CLASS	DIVISION	DRAWING	FILE	
19	48	4116/ 127H	20PA 1002	

DO NOT SCALE

SEAL FOR 3/4" STRAPPING (7 REQD, 1 PER STRAP). CRIMP EACH SEAL WITH TWO PAIR OF NOTCHES.

LOAD STRAP, 3/4" X .035" OR .031" X 19'-1" LONG STEEL STRAPPING (3 REQD). SEE GENERAL NOTE "C" AT RIGHT.



PALLET UNIT

SEE GENERAL NOTE "B" AT RIGHT.

18 BOXES OF CORD, DETONATING @ 84 LBS	1,512 LBS (APPROX)
DUNNAGE	9 LBS
PALLET	90 LBS
TOTAL WEIGHT	1,611 LBS (APPROX)
CUBE	78.0 CU FT (APPROX)

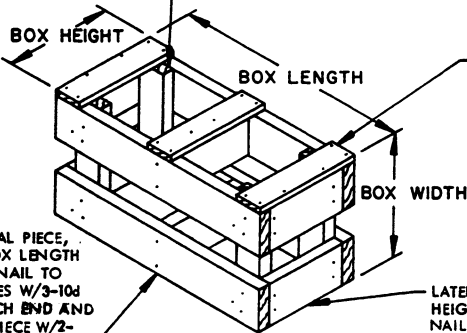
GENERAL NOTES

- A. THIS APPENDIX CANNOT STAND ALONE BUT MUST BE USED IN CONJUNCTION WITH THE BASIC UNITIZATION PROCEDURES DRAWING 19-48-4116-20PA1002. TO PRODUCE AN APPROVED UNIT LOAD, ALL PERTINENT PROCEDURES, SPECIFICATIONS AND CRITERIA SET FORTH WITHIN THE BASIC DRAWING WILL APPLY TO THE PROCEDURES DELINEATED IN THIS APPENDIX. ANY EXCEPTIONS TO THE BASIC PROCEDURES ARE SPECIFIED IN THIS APPENDIX.
- B. DIMENSIONS, CUBE AND WEIGHT OF A PALLET UNIT WILL VARY SLIGHTLY DEPENDING UPON THE ACTUAL DIMENSIONS OF THE BOXES AND THE WEIGHT OF THE SPECIFIC ITEM BEING UNITIZED.
- C. THE LOAD STRAPS MUST BE PRE-POSITIONED ON THE PALLET DECK PRIOR TO PLACING BOXES ON THE PALLET. LOAD STRAPS MUST BE TENSIONED AND SEALED PRIOR TO APPLICATION OF TIEDOWN STRAPS.
- D. INSTALL EACH TIEDOWN STRAP TO PASS UNDER THE TOP DECK BOARDS OF THE PALLET AND TO BE LOCATED AS SHOWN. TIEDOWN STRAPS WILL NOT BE APPLIED UNTIL THE LOAD STRAPS HAVE BEEN TENSIONED AND SEALED.
- E. THE FOLLOWING DARCOM DRAWINGS ARE APPLICABLE FOR OUT-LOADING AND STORAGE OF THE ITEMS COVERED BY THIS APPENDIX.
 - CARLOADING-----DRAWING 19-48-4115-5PA1002.
 - TRUCKLOADING-----DRAWING 19-48-4117-11PA1003.
 - STORAGE-----DRAWING 19-48-4118-1-2-3-4-14-22 PA1002.
- F. FOR METHOD OF SECURING A STRAP CUTTER TO THE PALLET UNIT, SEE DARCOM DRAWING 19-48-4127-20P1000.
- G. IF ITEMS COVERED HEREIN ARE UNITIZED PRIOR TO ISSUANCE OF THIS APPENDIX, THE BOXES NEED NOT BE REUNITIZED SOLELY TO CONFORM TO THIS APPENDIX.
- H. THE UNITIZATION PROCEDURES DEPICTED HEREIN MAY ALSO BE USED FOR UNITIZING DETONATING CORD WHEN IDENTIFIED BY DIFFERENT NATIONAL STOCK NUMBERS (NSN) THAN WHAT IS SHOWN ON THE TITLE PAGE, PROVIDED THE BOX PACK DOES NOT VARY FROM WHAT IS DELINEATED HEREIN. THE EXPLOSIVE CLASSIFICATION OF OTHER ITEMS MAY BE DIFFERENT THAN WHAT IS SHOWN.

BILL OF MATERIAL

PALLET, 42" X 53"-----	1 REQD-----	90 LBS
STEEL STRAPPING, 3/4"-----	121.58' REQD-----	8.68' LBS
SEAL FOR 3/4" STRAPPING-----	7 REQD-----	NIL

VERTICAL PIECE, 2" X 4" X BOX WIDTH MINUS 3/4" (4 REQD).



FILLER ASSEMBLY

(FOR MINUS ONE BOX)

TIE PIECE, 1" X 4" X BOX HEIGHT (3 REQD). NAIL TO LONGITUDINAL PIECES W/2-6d NAILS AT EACH END AND TO LATERAL PIECE W/2-6d NAILS.

LONGITUDINAL PIECE, 2" X 6" X BOX LENGTH (4 REQD). NAIL TO VERTICAL PIECES W/3-10d NAILS AT EACH END AND TO LATERAL PIECE W/2-10d NAILS.

LATERAL PIECE, 2" X 6" X BOX HEIGHT MINUS 3" (6 REQD). NAIL TO THE VERTICAL PIECES W/2-10d NAILS AT EACH END.