

APPENDIX 127A

UNITIZATION PROCEDURES FOR BOXED AMMUNITION AND COMPONENTS ON 4-WAY ENTRY PALLETS

CORD, DETONATING, PACKED 8 CANS PER WOODEN
BOX, UNITIZED 18 BOXES PER 35" X 45 $\frac{1}{2}$ " PALLET;
APPROX BOX SIZE 25" L X 12 $\frac{1}{2}$ " W X 12 $\frac{1}{2}$ " H

| PALLET UNIT DATA | | | | | | |
|----------------------|-------|-------------------------|-------------|-------------|---------------|-------------------|
| ITEMS INCLUDED | | HAZARD CLASSIFICATION ① | | | | WEIGHT (LBS) |
| NSN | DODIC | DOT CLASS | CG CLASS | QD CLASS | COMP GROUP | |
| 1375- 00-180-9410 | M456 | C | I | 1.3 | D | 2,179 |

REVISION

REVISION NO. 1, DATED APRIL 1984, CONSISTS OF:

DELETING ITEMS BY NATIONAL STOCK NUMBER FROM
"PALLET UNIT DATA" CHART.

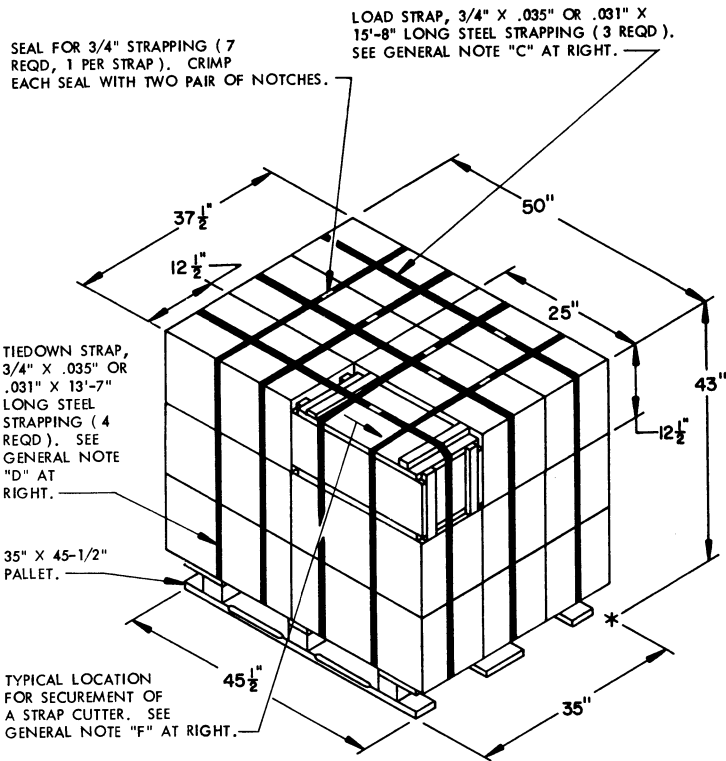
NOTICE: THIS APPENDIX CANNOT STAND ALONE BUT MUST
BE USED IN CONJUNCTION WITH THE BASIC UNITIZATION
PROCEDURES DRAWING 19-48-4116-20PA1002.

① HAZARD CLASSIFICATION DATA CONTAINED IN THE ABOVE
CHART IS FOR GUIDANCE AND INFORMATIONAL PURPOSES
ONLY. VERIFICATION OF THE SPECIFIED DATA SHOULD BE
MADE BY CONSULTING THE MOST RECENT JOINT HAZARD
CLASSIFICATION SYSTEM LISTING OR OTHER APPROVED
LISTING(S).

DO NOT SCALE

| REVISIONS | | | | DRAFTSMAN | PROJ ENG |
|--|----------|--------------------|--------------------|--------------------|--------------------|
| 1 | APR 84 | <i>[Signature]</i> | <i>[Signature]</i> | <i>[Signature]</i> | <i>[Signature]</i> |
| | | | | CHECKER | LOG ENGINE OFFICER |
| | | | | <i>[Signature]</i> | <i>[Signature]</i> |
| APPROVED, U. S. ARMY ARMAMENT, MUNITIONS AND CHEMICAL COMMAND | | | | | |
| <i>[Signature]</i> | | | | | |
| APPROVED BY ORDER OF COMMANDING GENERAL, U. S. ARMY MATERIEL DEVELOPMENT AND READINESS COMMAND (DARCOM) | | | | | |
| <i>[Signature]</i> | | | | | |
| U. S. ARMY DEFENSE AMMUNITION CENTER AND SCHOOL | | | | | |
| U. S. ARMY DARCOM DRAWING | | | | | |
| NOVEMBER 1983 | | | | | |
| CLASS | DIVISION | DRAWING | FILE | | |
| 19 | 48 | 4116/ 127A | 20PA 1002 | | |

GENERAL NOTES



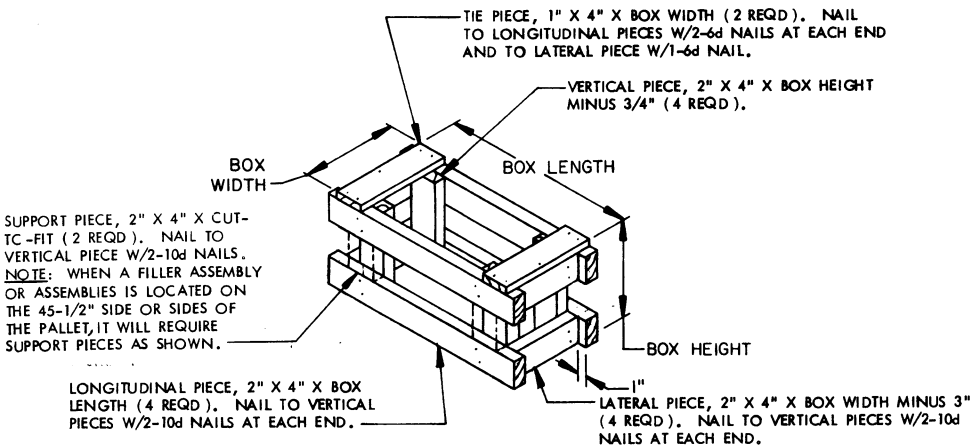
- A. THIS APPENDIX CANNOT STAND ALONE BUT MUST BE USED IN CONJUNCTION WITH THE BASIC UNITIZATION PROCEDURES DRAWING 19-48-4116-20PA1002. TO PRODUCE AN APPROVED UNIT LOAD, ALL PERTINENT PROCEDURES, SPECIFICATIONS AND CRITERIA SET FORTH WITHIN THE BASIC DRAWING WILL APPLY TO THE PROCEDURES DELINEATED IN THIS APPENDIX. ANY EXCEPTIONS TO THE BASIC PROCEDURES ARE SPECIFIED IN THIS APPENDIX.
- B. DIMENSIONS, CUBE AND WEIGHT OF A PALLET UNIT WILL VARY SLIGHTLY DEPENDING UPON THE ACTUAL DIMENSIONS OF THE BOXES AND THE WEIGHT OF THE SPECIFIC ITEM BEING UNITIZED.
- C. THE LOAD STRAPS MAY BE THREADED THROUGH THE STRAP SLOTS OF A PALLET OR PRE-POSITIONED ON THE PALLET DECK PRIOR TO PLACING BOXES ON THE PALLET.
- D. INSTALL EACH TIEDOWN STRAP TO PASS UNDER THE TOP DECK BOARDS OF THE PALLET AND TO BE LOCATED AS SHOWN. TIEDOWN STRAPS WILL BE TENSIONED AND SEALED PRIOR TO APPLICATION OF LOAD STRAPS.
- E. THE FOLLOWING DARCOM DRAWINGS ARE APPLICABLE FOR OUTLOADING AND STORAGE OF THE ITEMS COVERED BY THIS APPENDIX.

| | |
|--------------------|--|
| CARLOADING ----- | DRAWING 19-48-4115-5PA1002 |
| TRUCKLOADING ----- | DRAWING 19-48-4117-11PA1003 |
| STORAGE ----- | DRAWING 19-48-4118-1-2-3-4-14-22PA1002 |
- F. FOR METHOD OF SECURING A STRAP CUTTER TO THE PALLET UNIT, SEE DARCOM DRAWING 19-48-4127-20P1000.
- G. IF ITEMS COVERED HEREIN ARE UNITIZED PRIOR TO ISSUANCE OF THIS APPENDIX, THE BOXES NEED NOT BE REUNITIZED SOLELY TO CONFORM TO THIS APPENDIX.
- H. THE UNITIZATION PROCEDURES DEPICTED HEREIN MAY ALSO BE USED FOR UNITIZING DETONATING CORDS WHEN IDENTIFIED BY DIFFERENT NATIONAL STOCK NUMBERS (NSN) THAN WHAT IS SHOWN ON THE TITLE PAGE, PROVIDED THE BOX PACK DOES NOT VARY FROM WHAT IS DELINEATED HEREIN. THE EXPLOSIVE CLASSIFICATION OF OTHER ITEMS MAY BE DIFFERENT THAN WHAT IS SHOWN.

PALLET UNIT
SEE GENERAL NOTE "B" AT RIGHT.

| | |
|--|------------------------------|
| 18 BOXES OF DETONATING CORD (8 CANS PER BOX) @ 117 LBS ----- | 2,106 LBS (APPROX) |
| DUNNAGE ----- | 8 LBS |
| PALLET ----- | 65 LBS |
| TOTAL WEIGHT ----- | 2,179 LBS (APPROX) |
| CUBE ----- | 46.7 CU FT (APPROX) |

| BILL OF MATERIAL | | | |
|-------------------------------|-------------------|----------|--|
| PALLET, 35" X 45-1/2" ----- | 1 REQD ----- | 65 LBS | |
| STEEL STRAPPING, 3/4" ----- | 101.33 REQD ----- | 7.24 LBS | |
| SEAL FOR 3/4" STRAPPING ----- | 7 REQD ----- | NIL | |



FILLER ASSEMBLY
(FOR MINUS ONE BOX)