

APPENDIX 121P

UNITIZATION PROCEDURES FOR BOXED AMMUNITION AND COMPONENTS ON 4-WAY ENTRY PALLETS

BLASTING CAP, ELECTRIC, M6, PACKED 180 PER
WOODEN BOX, UNITIZED 18 BOXES PER 35" X
45-1/2" PALLET; APPROX BOX SIZE 17-1/2" L
X 16" W X 11-3/4" H

NOTICE: THIS APPENDIX CANNOT STAND ALONE BUT MUST BE USED IN CONJUNCTION WITH
THE BASIC UNITIZATION PROCEDURES DRAWING 19-48-4116-20PA1002.

U. S. ARMY MATERIEL COMMAND DRAWING			
APPROVED, U. S. ARMY ARMAMENT, MUNITIONS AND CHEMICAL COMMAND <i>NH</i> <i>David A. Ristovick</i> <i>Jeff Huelich</i> SMCAR-ESK AMSMC-TMD	DRAFTSMAN	TECHNICIAN	ENGINEER
	B. BOWMAN		R. REGAZZI
	D. WHITMORE		S. SCHULTZ
APPROVED BY ORDER OF COMMANDING GENERAL, U. S. ARMY MATERIEL COMMAND <i>Allen L. Byrd</i> U. S. ARMY DEFENSE AMMUNITION CENTER AND SCHOOL	EVALUATION DIVISION	STORAGE & OUTLOADING DIVISION	LOGISTICS ENGINEERING OFFICE
	<i>TJM</i>	<i>W. French</i>	<i>E. Ernst</i>
	JANUARY 1985		
REVISION NO. 2 AUGUST 1990	CLASS	DIVISION	DRAWING
SEE THE REVISION LISTING ON PAGE 2	19	48	4116/ 121P
			FILE
			20PA 1002

DO NOT SCALE

PALLET UNIT DATA						
ITEMS INCLUDED		HAZARD CLASSIFICATION [●]				WEIGHT
NSN	DODIC	DOT CLASS	CG CLASS	GD CLASS	COMP GROUP	(LBS)
1375-01-192-9174	M130	A	VIII	1.1	B	845

● HAZARD CLASSIFICATION DATA CONTAINED IN THE ABOVE CHART IS FOR GUIDANCE AND INFORMATIONAL PURPOSES ONLY. VERIFICATION OF THE SPECIFIED DATA SHOULD BE MADE BY CONSULTING THE MOST RECENT JOINT HAZARD CLASSIFICATION SYSTEM LISTING OR OTHER APPROVED LISTING(S).

REVISIONS

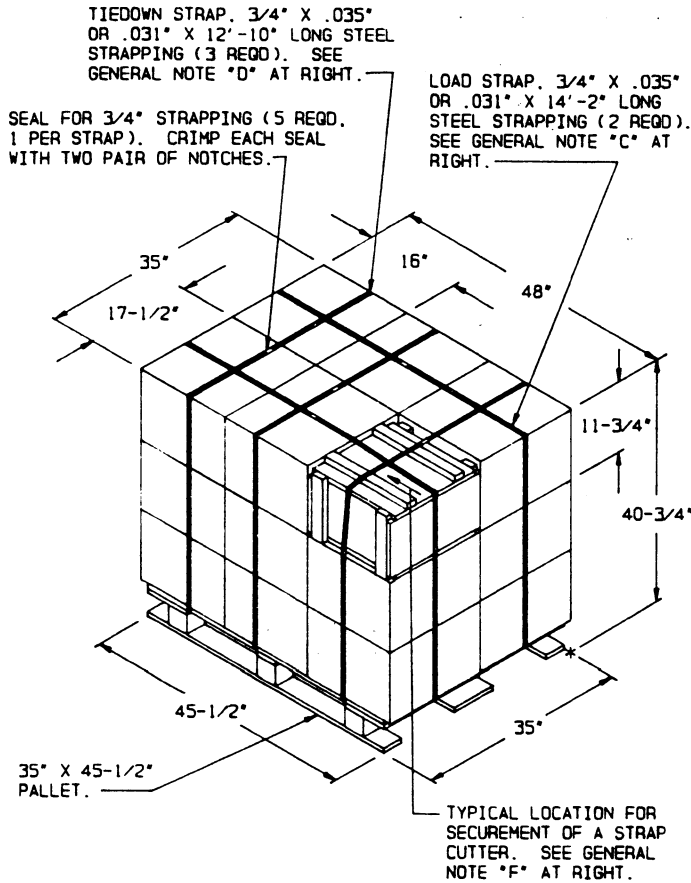
REVISION NO. 1, DATED MAY 1985, CONSISTS OF:

1. CHANGING BOX AND PALLET SIZES.
2. UPDATING DRAWING FORMAT.

REVISION NO. 2, DATED AUGUST 1990, CONSISTS OF:

1. CHANGING BOX SIZE.
2. UPDATING DRAWING FORMAT.

GENERAL NOTES



PALLET UNIT

SEE GENERAL NOTE "B" AT RIGHT.

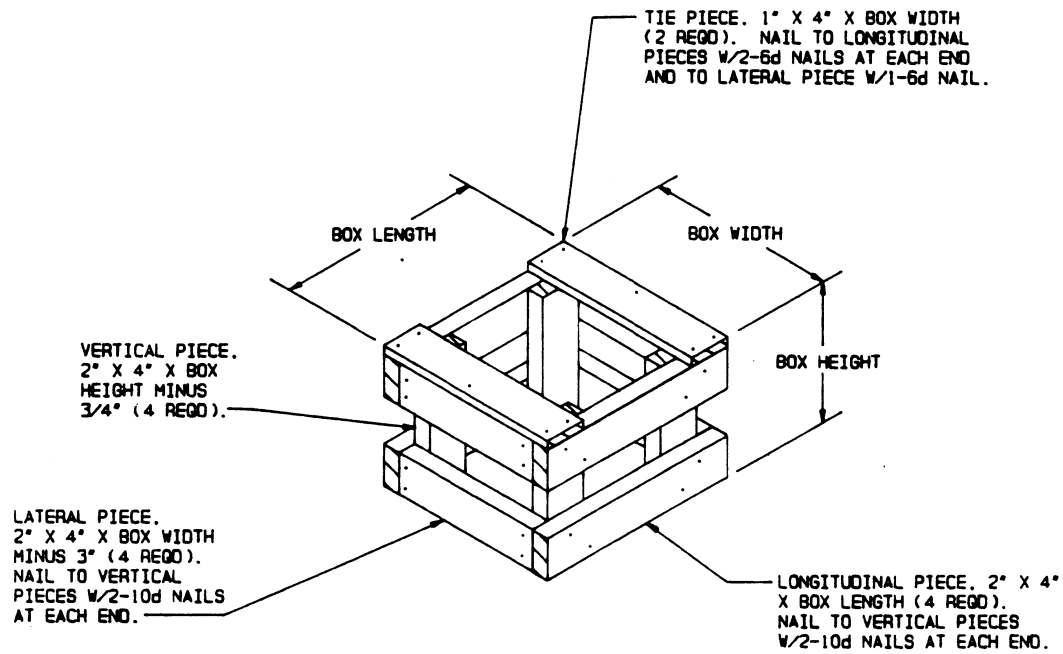
18 BOXES OF BLASTING CAPS (180 PER BOX) AT 43 LBS	--	774 LBS (APPROX)
DUNNAGE	-----	6 LBS
PALLET	-----	65 LBS

TOTAL WEIGHT	-----	845 LBS (APPROX)
CUBE	-----	39.6 CU FT (APPROX)

BILL OF MATERIAL

PALLET, 35" X 45-1/2"	-----	1 REQD	-----	65 LBS	
STEEL STRAPPING, 3/4"	-----	80.20'	REQD	-----	5.73 LBS
SEAL FOR 3/4" STRAPPING	-----	5 REQD	-----	NIL	

- A. THIS APPENDIX CANNOT STAND ALONE BUT MUST BE USED IN CONJUNCTION WITH THE BASIC UNITIZATION PROCEDURES DRAWING 19-48-4116-20PA1002. TO PRODUCE AN APPROVED UNIT LOAD, ALL PERTINENT PROCEDURES, SPECIFICATIONS AND CRITERIA SET FORTH WITHIN THE BASIC DRAWING WILL APPLY TO THE PROCEDURES DELINEATED IN THIS APPENDIX. ANY EXCEPTIONS TO THE BASIC PROCEDURES ARE SPECIFIED IN THIS APPENDIX.
- B. DIMENSIONS, CUBE AND WEIGHT OF A PALLET UNIT WILL VARY SLIGHTLY DEPENDING UPON THE ACTUAL DIMENSIONS OF THE BOXES AND THE WEIGHT OF THE SPECIFIC ITEM BEING UNITIZED.
- C. THE LOAD STRAPS MAY BE THREADED THROUGH THE STRAP SLOTS OF A PALLET OR PRE-POSITIONED ON THE PALLET DECK PRIOR TO PLACING BOXES ON THE PALLET. LOAD STRAPS WILL BE TENSIONED AND SEALED PRIOR TO APPLICATION OF TIEDOWN STRAPS.
- D. INSTALL EACH TIEDOWN STRAP TO PASS UNDER THE TOP DECK BOARDS OF THE PALLET AND TO BE LOCATED AS SHOWN. TIEDOWN STRAPS WILL NOT BE APPLIED UNTIL THE LOAD STRAPS HAVE BEEN TENSIONED AND SEALED.
- E. THE FOLLOWING AMC DRAWINGS ARE APPLICABLE FOR OUTLOADING AND STORAGE OF THE ITEMS COVERED BY THIS APPENDIX.
 - CARLOADING - - - 19-48-4115-5PA1002
 - TRUCKLOADING - - 19-48-4117-11PA1003
 - STORAGE - - - - 19-48-4118-1-2-3-4-14-22PA1002
 - COMMERCIAL
 - CONTAINER - - - - 19-48-4153-15PA1002
 - MILVAN - - - - - 19-48-4166-15PA1003
- F. FOR METHOD OF SECURING A STRAP CUTTER TO THE PALLET UNIT, SEE AMC DRAWING 19-48-4127-20P1000.
- G. IF ITEMS COVERED HEREIN ARE UNITIZED PRIOR TO ISSUANCE OF THIS APPENDIX, THE BOXES NEED NOT BE REUNITIZED SOLELY TO CONFORM TO THIS APPENDIX.
- H. THE UNITIZATION PROCEDURES DEPICTED HEREIN MAY ALSO BE USED FOR UNITIZING BLASTING CAPS WHEN IDENTIFIED BY DIFFERENT NATIONAL STOCK NUMBERS (NSN) THAN WHAT IS SHOWN ON PAGE 2, PROVIDED THE BOX PACK DOES NOT VARY FROM WHAT IS DELINEATED HEREIN. THE EXPLOSIVE CLASSIFICATION OF OTHER ITEMS MAY BE DIFFERENT THAN WHAT IS SHOWN.
- J. THE STYLE 1A PALLET DELINEATED IN THE DETAIL AT LEFT NEED NOT HAVE CHAMFERS OR STRAP SLOTS AS SPECIFIED WITHIN MILITARY SPECIFICATION MIL-P-15011 WHEN USED FOR THE UNITIZATION OF ITEMS COVERED BY THIS APPENDIX.



FILLER ASSEMBLY
(FOR MINUS ONE BOX)