

# APPENDIX 120N

## UNITIZATION PROCEDURES FOR BOXED AMMUNITION AND COMPONENTS ON 4-WAY ENTRY PALLETS

CHARGE, DEMOLITION, PACKED 1 PER WOODEN BOX,  
UNITIZED 30 BOXES PER 42" X 53" PALLET; APPROX  
BOX SIZE  $27\frac{7}{16}$ " L X  $8\frac{3}{4}$ " W X  $9\frac{3}{4}$ " H

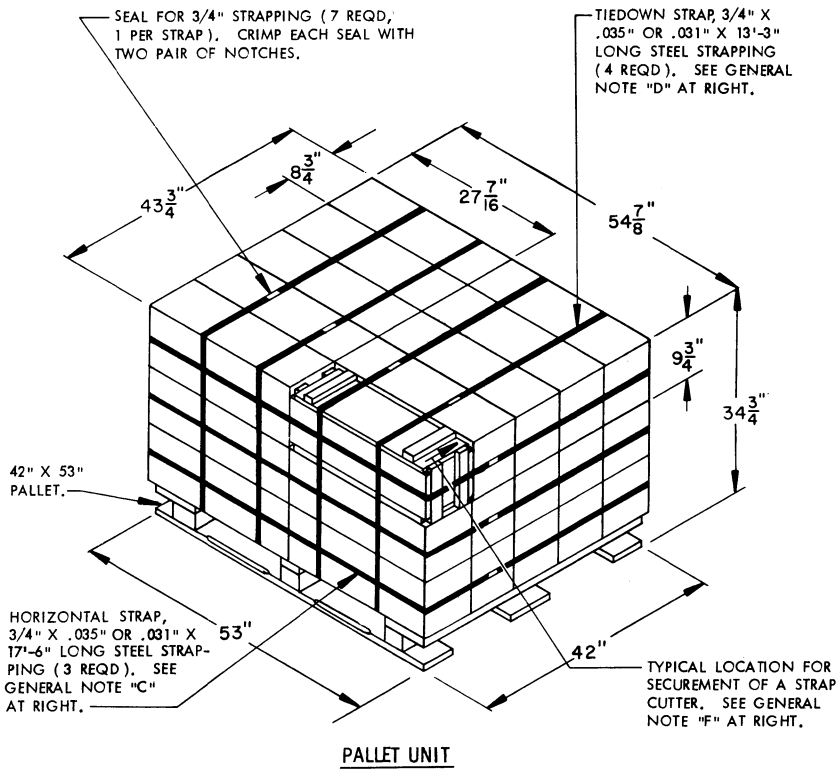
PALLET UNIT DATA						
ITEMS INCLUDED		HAZARD CLASSIFICATION				WEIGHT (LBS)
NSN	DODIC	DOT CLASS	CG CLASS	QD CLASS	COMP GROUP	
1375- 00-028-5145	M039	A	<del>IX</del> -B	1.1	D	1,868
00-028-5146	M039	A	<del>IX</del> -B	1.1	D	1,868

NOTICE: THIS APPENDIX CANNOT STAND ALONE BUT MUST  
BE USED IN CONJUNCTION WITH THE BASIC UNITIZATION  
PROCEDURES DRAWING 19-48-4116-20PA1002.

REVISIONS				DRAFTER PBB	PROJ ENG WRE/RWU
				/st	/RWU
				RSH	/RWU
APPROVED, U. S. ARMY ARMAMENT MATERIEL READINESS COMMAND					
				<i>[Signature]</i>	<i>[Signature]</i>
APPROVED BY ORDER OF COMMANDING GENERAL, U. S. ARMY MATERIEL DEVELOPMENT AND READINESS COMMAND (MARCOS)					
<i>[Signature]</i> U. S. ARMY DEFENSE AMMUNITION CENTER AND SCHOOL					
U. S. ARMY DARCOM DRAWING					
MAY 1981					
CLASS	DIVISION	DRAWING	FILE		
19	48	4116/ 120N	20PA 1002		

**DO NOT SCALE**

**GENERAL NOTES**



- A. THIS APPENDIX CANNOT STAND ALONE BUT MUST BE USED IN CONJUNCTION WITH THE BASIC UNITIZATION PROCEDURES DRAWING 19-48-4116-20PA1002. TO PROVIDE AN APPROVED UNIT LOAD, ALL PERTINENT PROCEDURES, SPECIFICATIONS AND CRITERIA SET FORTH WITHIN THE BASIC DRAWING WILL APPLY TO THE PROCEDURES DELINEATED IN THIS APPENDIX. ANY EXCEPTIONS TO THE BASIC PROCEDURES ARE SPECIFIED IN THIS APPENDIX.
- B. DIMENSIONS, CUBE AND WEIGHT OF A PALLET UNIT WILL VARY SLIGHTLY DEPENDING UPON THE ACTUAL DIMENSIONS OF THE BOXES AND THE WEIGHT OF THE SPECIFIC ITEM BEING UNITIZED.
- C. INSTALL EACH HORIZONTAL STRAP TO ENCIRCLE EACH LAYER OF BOXES ON THE PALLET. HORIZONTAL STRAPS MUST BE TENSIONED AND SEALED PRIOR TO APPLICATION OF TIE-DOWN STRAPS.
- D. INSTALL EACH TIEDOWN STRAP TO PASS UNDER THE TOP DECK BOARDS OF THE PALLET AND TO BE LOCATED BETWEEN THE HORIZONTAL TOP CLEATS OF THE BOXES. TIEDOWN STRAPS WILL NOT BE APPLIED UNTIL THE HORIZONTAL STRAPS HAVE BEEN TENSIONED AND SEALED.
- E. THE FOLLOWING DARCOM DRAWINGS ARE APPLICABLE FOR OUTLOADING AND STORAGE OF THE ITEMS COVERED BY THIS APPENDIX.
  - CARLOADING ----- DWG 19-48-4115-5PA1002
  - TRUCKLOADING ----- DWG 19-48-4117-11PA1003
  - STORAGE ----- DWG 19-48-4118-1-2-3-4+14-22PA1002
- F. FOR METHOD OF SECURING A STRAP CUTTER TO THE PALLET UNIT, SEE DARCOM DRAWING 19-48-4127-20P1000.
- G. IF ITEMS COVERED HEREIN ARE UNITIZED PRIOR TO ISSUANCE OF THIS APPENDIX, THE BOXES NEED NOT BE REUNITIZED SOLELY TO CONFORM TO THIS APPENDIX.
- H. THE UNITIZATION PROCEDURES DEPICTED HEREIN MAY ALSO BE USED FOR UNITIZING DEMOLITION CHARGES WHEN IDENTIFIED BY DIFFERENT NATIONAL STOCK NUMBERS (NSN) THAN WHAT IS SHOWN ON THE TITLE PAGE, PROVIDED THE BOX PACK DOES NOT VARY FROM WHAT IS DELINEATED HEREIN. THE EXPLOSIVE CLASSIFICATION OF OTHER ITEMS MAY BE DIFFERENT THAN WHAT IS SHOWN.

SEE GENERAL NOTE "B" AT RIGHT.

30 BOXES (DEMOLITION CHARGE, 1 PER BOX) @ 59 LBS -----	1,770 LBS (APPROX)
DUNNAGE -----	8 LBS
PALLET -----	90 LBS
<b>TOTAL WEIGHT -----</b>	<b>1,868 LBS (APPROX)</b>
<b>CUBE -----</b>	<b>48.3 CU FT (APPROX)</b>

BILL OF MATERIAL			
PALLET, 42" X 53" -----	1 REQD	-----	90 LBS
STEEL STRAPPING, 3/4" -----	105.50 REQD	-----	7.54 LBS
SEAL FOR 3/4" STRAPPING -----	7 REQD	-----	NIL

