

APPENDIX 120K

UNITIZATION PROCEDURES FOR BOXED AMMUNITION AND COMPONENTS ON 4-WAY ENTRY PALLETS

CHARGE, DEMOLITION, PACKED 3 PER WIREBOUND
BOX, UNITIZED 18 BOXES PER 42" X 53" PALLET;
APPROX BOX SIZE 20" L X 18-1/2" W X 14" H

NOTICE: THIS APPENDIX CANNOT STAND ALONE BUT MUST BE USED IN CONJUNCTION WITH
THE BASIC UNITIZATION PROCEDURES DRAWING 19-48-4116-20PA1002.

DISTRIBUTION STATEMENT A.

APPROVED FOR PUBLIC RELEASE:
DISTRIBUTION IS UNLIMITED.

U.S. ARMY MATERIEL COMMAND DRAWING			
APPROVED, U.S. ARMY INDUSTRIAL OPERATIONS COMMAND <i>NH</i> <i>David A. Roberts</i> <i>Stashak</i> AMSTA-AR-ESK AMSIO-TMJ		DRAFTSMAN ENGINEER SUPPLY ENGINEERING DIVISION <i>T. J. Michel</i>	BETTY J. KUNDERT SANDRA M. SCHULTZ TRANSPORTATION ENGINEERING DIVISION <i>W. J. Inerich</i>
APPROVED BY ORDER OF COMMANDING GENERAL, U.S. ARMY MATERIEL COMMAND <i>Larry V. Huddlege</i> U.S. ARMY DEFENSE AMMUNITION CENTER AND SCHOOL		VALIDATION ENGINEERING DIVISION <i>W. K. Kasher</i> LOGISTICS ENGINEERING OFFICE <i>William J. Ernst</i> AUGUST 1979	
REVISION NO. 1	JUNE 1996	CLASS DIVISION DRAWING FILE	19 48 4116/ 120K 20PA 1002
SEE THE REVISION LISTING ON PAGE 2			

DO NOT SCALE

PALLET UNIT DATA				
ITEMS INCLUDED		HAZARD CLASS AND DIVISION ●		APPROX WEIGHT LBS
NSN	DODIC	OD CLASS	COMP GROUP	
1375-00-926-4108	MO60	1.1	D	2,169
01-399-3720	MO60	1.1	D	2,169

- HAZARD CLASSIFICATION DATA CONTAINED IN THE ABOVE CHART IS FOR GUIDANCE AND INFORMATIONAL PURPOSES ONLY. VERIFICATION OF THE SPECIFIED DATA SHOULD BE MADE BY CONSULTING THE MOST RECENT JOINT HAZARD CLASSIFICATION SYSTEM LISTING OR OTHER APPROVED LISTING(S).

REVISION

REVISION NO. 1, DATED JUNE 1996, CONSISTS OF:

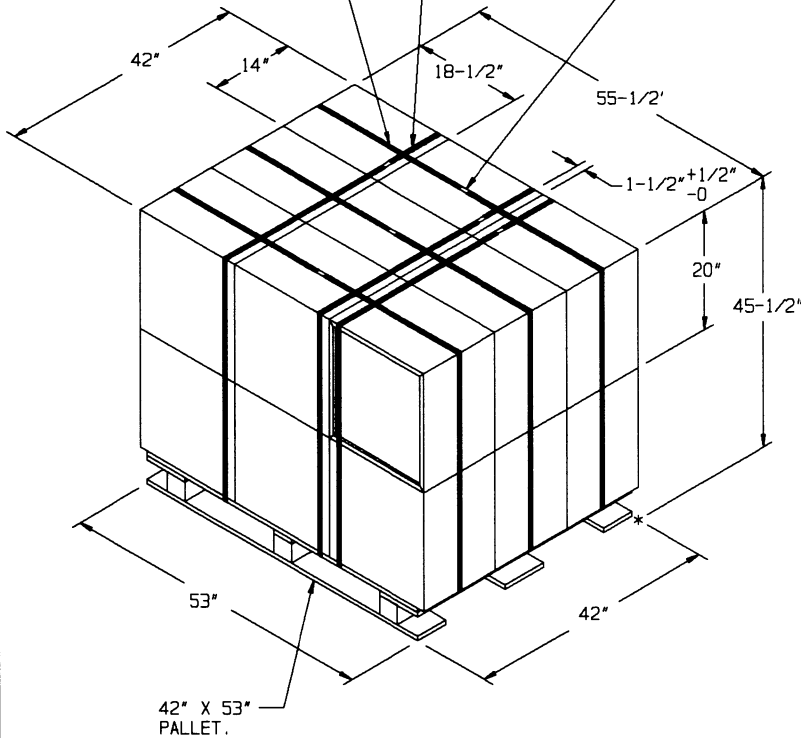
1. ADDING ITEM BY NATIONAL STOCK NUMBER (NSN) TO "PALLET UNIT DATA" CHART.
2. UPDATING GENERAL NOTES.
3. CHANGING THE PALLET UNIT DESIGN FROM A 40" X 48" PALLET TO A 42" X 53" PALLET.

GENERAL NOTES

TIEDOWN STRAP, 3/4" X .035" OR .031" X 14'-9" LONG STEEL STRAPPING (3 REOD). SEE GENERAL NOTE "D" AT RIGHT.

LOAD STRAP, 3/4" X .035" OR .031" X 17'-0" LONG STEEL STRAPPING (3 REOD). SEE GENERAL NOTE "C" AT RIGHT.

SEAL FOR 3/4" STRAPPING (6 REOD, 1 PER STRAP). CRIMP EACH SEAL WITH TWO PAIR OF NOTCHES.



- A. THIS APPENDIX CANNOT STAND ALONE BUT MUST BE USED IN CONJUNCTION WITH THE BASIC UNITIZATION PROCEDURES DRAWING 19-48-4116-20PA1002. TO PRODUCE AN APPROVED UNIT LOAD, ALL PERTINENT PROCEDURES, SPECIFICATIONS AND CRITERIA SET FORTH WITHIN THE BASIC DRAWING WILL APPLY TO THE PROCEDURES DELINEATED IN THIS APPENDIX. ANY EXCEPTIONS TO THE BASIC PROCEDURES ARE SPECIFIED IN THIS APPENDIX.
- B. DIMENSIONS, CUBE AND WEIGHT OF A PALLET UNIT WILL VARY SLIGHTLY DEPENDING UPON THE ACTUAL DIMENSIONS OF THE BOXES AND THE WEIGHT OF THE SPECIFIC ITEM BEING UNITIZED.
- C. THE LOAD STRAPS MAY BE THREADED THROUGH THE STRAP SLOTS OF A PALLET OR PRE-POSITIONED ON THE PALLET DECK PRIOR TO PLACING BOXES ON THE PALLET. LOAD STRAPS MUST BE TENSIONED AND SEALED PRIOR TO APPLICATION OF TIEDOWN STRAPS.
- D. INSTALL EACH TIEDOWN STRAP TO PASS UNDER THE TOP DECK BOARDS OF THE PALLET. NOTE THAT THE STRAPS WILL BE LOCATED AS SHOWN, NEAR THE SIDE CLEATS OF THE END PANELS OF THE BOX. TIEDOWN STRAPS WILL NOT BE APPLIED UNTIL THE LOAD STRAPS HAVE BEEN TENSIONED AND SEALED.
- E. THE FOLLOWING AMC DRAWINGS ARE APPLICABLE FOR OUTLOADING AND STORAGE OF THE ITEMS COVERED BY THIS APPENDIX.
 - CARLOADING - - - - 19-48-4115-5PA1002
 - TRUCKLOADING - - - - 19-48-4117-11PA1003
 - STORAGE - - - - - 19-48-4125-1-2-3-4-14-22PA1003
 - END OPENING ISO CONTAINER - - - - - 19-48-4153-15PA1002
 - MILVAN - - - - - 19-48-4166-15PA1003
 - SIDE OPENING ISO CONTAINER - - - - - 19-48-4267-15PA1009
- F. IF ITEMS COVERED HEREIN ARE UNITIZED PRIOR TO ISSUANCE OF THIS APPENDIX, THE BOXES NEED NOT BE REUNITIZED SOLELY TO CONFORM TO THIS APPENDIX.
- G. THE UNITIZATION PROCEDURES DEPICTED HEREIN MAY ALSO BE USED FOR UNITIZING DEMOLITION CHARGES WHEN IDENTIFIED BY DIFFERENT NATIONAL STOCK NUMBERS (NSN) THAN WHAT IS SHOWN ON PAGE 2, PROVIDED THE BOX PACK DOES NOT VARY FROM WHAT IS DELINEATED HEREIN. THE EXPLOSIVE CLASSIFICATION OF OTHER ITEMS MAY BE DIFFERENT THAN WHAT IS SHOWN.
- H. THE STYLE 1B PALLET DELINEATED IN THE DETAIL AT LEFT NEED NOT HAVE CHAMFERS OR STRAP SLOTS AS SPECIFIED WITHIN MILITARY SPECIFICATION MIL-P-15011 WHEN USED FOR THE UNITIZATION OF ITEMS COVERED BY THIS APPENDIX.

PALLET UNIT

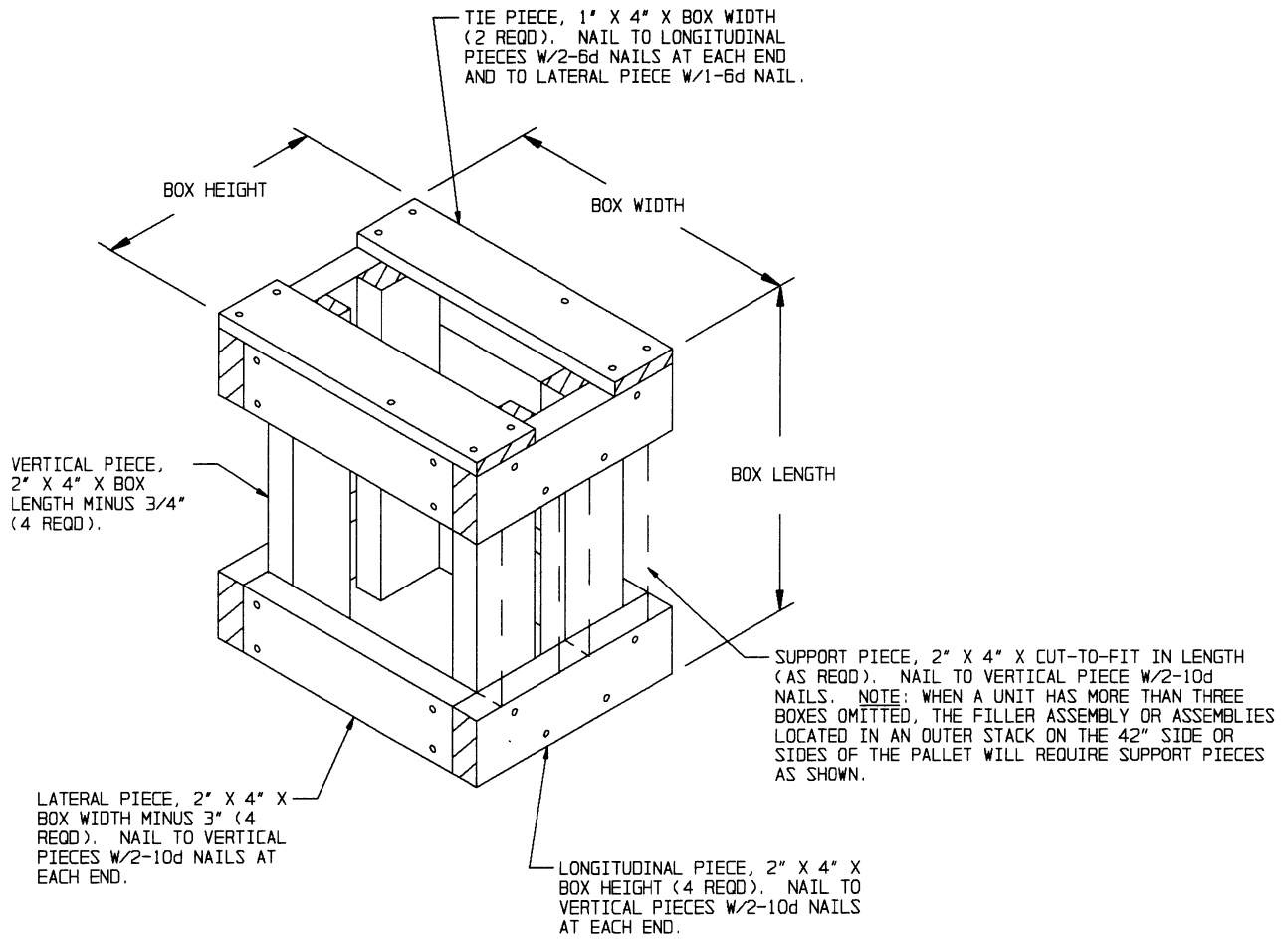
SEE GENERAL NOTE "B" AT RIGHT.

18 BOXES OF DEMOLITION CHARGES (3 PER BOX) AT 115 LBS - - 2,070 LBS (APPROX)
 DUNNAGE - - - - - 9 LBS
 PALLET - - - - - 90 LBS

TOTAL WEIGHT - - - - - 2,169 LBS (APPROX)
 CUBE - - - - - 61.4 CU FT (APPROX)

BILL OF MATERIAL

PALLET, 42" X 53" - - - - -	1 REOD - - - - -	90 LBS
STEEL STRAPPING, 3/4" - 95.25' REOD - - - - -		8.51 LBS
SEAL FOR 3/4" STRAPPING - - 6 REOD - - - - -		NIL



FILLER ASSEMBLY
 (FOR MINUS ONE BOX)