

APPENDIX 120EE

UNITIZATION PROCEDURES FOR BOXED AMMUNITION AND COMPONENTS ON 4-WAY ENTRY PALLETS

CHARGE, DEMOLITION, SHAPED, CLIPPED, XM221
PACKED 36 IN M2A1 SERIES METAL CONTAINERS,
2 PER WIREBOUND BOX, UNITIZED 48 BOXES PER
40" X 48" PALLET; APPROX BOX SIZE 14-1/2" L
X 12-3/4" W X 8-1/8" H

NOTICE: THIS APPENDIX CANNOT STAND ALONE BUT MUST BE USED IN CONJUNCTION WITH
THE BASIC UNITIZATION PROCEDURES DRAWING 19-48-4116-20PA1002.

DISTRIBUTION STATEMENT A.

APPROVED FOR PUBLIC RELEASE:
DISTRIBUTION IS UNLIMITED.

U.S. ARMY MATERIEL COMMAND DRAWING				
APPROVED, U.S. ARMY INDUSTRIAL OPERATIONS COMMAND <i>NH</i> <i>David A. Piskorik</i> <i>David E. Otachuk</i> AMSTA-AR-ESK AMSIO-TMJ	DRAFTSMAN ENGINEER BETTY J. KUNDERT JOHN SURDYK			
APPROVED BY ORDER OF COMMANDING GENERAL, U.S. ARMY MATERIEL COMMAND <i>Samy V. Dulles</i> U.S. ARMY DEFENSE AMMUNITION CENTER AND SCHOOL	SUPPLY ENGINEERING DIVISION <i>T.J. Michels</i> TRANSPORTATION ENGINEERING DIVISION <i>W. French</i> VALIDATION ENGINEERING DIVISION <i>J.H. Kasher</i> LOGISTICS ENGINEERING OFFICE <i>William F Ernst</i>	MAY 1996		
	CLASS	DIVISION	DRAWING	FILE
	19	48	4116/ 120EE	20PA 1002

DO NOT SCALE

PALLET UNIT DATA				
ITEMS INCLUDED		HAZARD CLASS AND DIVISION ●		APPROX WEIGHT LBS
NSN	DODIC	OD CLASS	COMP GROUP	
1375-01-325-6826	MM50	1.1	D	2,729

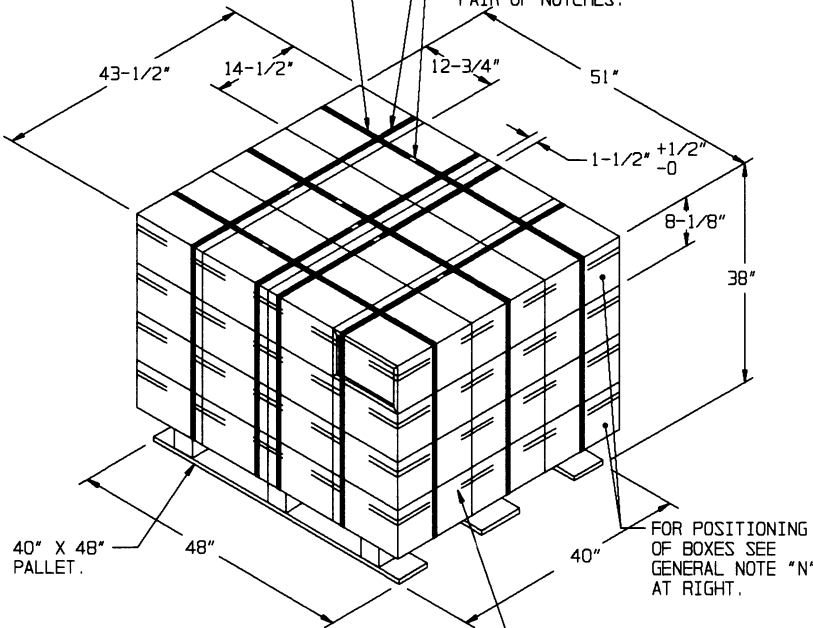
- HAZARD CLASSIFICATION DATA CONTAINED IN THE ABOVE CHART IS FOR GUIDANCE AND INFORMATIONAL PURPOSES ONLY. VERIFICATION OF THE SPECIFIED DATA SHOULD BE MADE BY CONSULTING THE MOST RECENT JOINT HAZARD CLASSIFICATION SYSTEM LISTING OR OTHER APPROVED LISTING(S).

GENERAL NOTES

TIEDOWN STRAP, 3/4" X .035" OR .031" X 13'-9" LONG STEEL STRAPPING (4 REOD). SEE GENERAL NOTES "D" AND "K" AT RIGHT.

LOAD STRAP, 3/4" X .035" OR .031" X 15'-0" LONG STEEL STRAPPING (3 REOD). SEE GENERAL NOTE "C" AT RIGHT.

SEAL FOR 3/4" STRAPPING (7 REOD, 1 PER STRAP). CRIMP EACH SEAL WITH TWO PAIR OF NOTCHES.



HORIZONTAL STRAP, 3/4" X .035" OR .031" X 16'-9" LONG STEEL STRAPPING (4 REOD). SEE GENERAL NOTE "K" AT RIGHT.

PALLET UNIT

SEE GENERAL NOTE "B" AT RIGHT.

48 BOXES OF DEMOLITION CHARGES (12 PER BOX) AT 55 LBS	--	2,640 LBS (APPROX)
DUNNAGE	-----	9 LBS
PALLET	-----	80 LBS

TOTAL WEIGHT	-----	2,729 LBS (APPROX)
CUBE	-----	48.8 CU FT (APPROX)

BILL OF MATERIAL

PALLET, 40" X 48"	-----	1 REOD	-----	80 LBS
STEEL STRAPPING, 3/4"	-----	100.00' REOD	-----	8.93 LBS
SEAL FOR 3/4" STRAPPING	-----	7 REOD	-----	NIL

A. THIS APPENDIX CANNOT STAND ALONE BUT MUST BE USED IN CONJUNCTION WITH THE BASIC UNITIZATION PROCEDURES DRAWING 19-48-4116-20PA1002. TO PRODUCE AN APPROVED UNIT LOAD, ALL PERTINENT PROCEDURES, SPECIFICATIONS AND CRITERIA SET FORTH WITHIN THE BASIC DRAWING WILL APPLY TO THE PROCEDURES DELINEATED IN THIS APPENDIX. ANY EXCEPTIONS TO THE BASIC PROCEDURES ARE SPECIFIED IN THIS APPENDIX.

B. DIMENSIONS, CUBE AND WEIGHT OF A PALLET UNIT WILL VARY SLIGHTLY DEPENDING UPON THE ACTUAL DIMENSIONS OF THE BOXES AND THE WEIGHT OF THE SPECIFIC ITEM BEING UNITIZED.

C. THE LOAD STRAPS MAY BE THREADED THROUGH THE STRAP SLOTS OF A PALLET OR PRE-POSITIONED ON THE PALLET DECK PRIOR TO PLACING BOXES ON THE PALLET. LOAD STRAPS MUST BE TENSIONED AND SEALED PRIOR TO APPLICATION OF TIEDOWN STRAPS.

D. INSTALL EACH TIEDOWN STRAP TO PASS UNDER THE TOP DECK BOARDS OF THE PALLET AND TO BE LOCATED AS SHOWN. TIEDOWN STRAPS WILL NOT BE APPLIED UNTIL THE LOAD STRAPS HAVE BEEN TENSIONED AND SEALED.

E. THE FOLLOWING AMC DRAWINGS ARE APPLICABLE FOR UNLOADING AND STORAGE OF THE ITEMS COVERED BY THIS APPENDIX.

- CARLOADING - - - - 19-48-4115-5PA1002
- TRUCKLOADING - - - - 19-48-4117-11PA1003
- STORAGE - - - - 19-48-4118-1-2-3-4-14-22PA1002
- END OPENING ISO CONTAINER - - - - 19-48-4153-15PA1002
- MILVAN - - - - 19-48-4166-15PA1003
- SIDE OPENING ISO CONTAINER - - - - 19-48-4267-15PA1009

F. IF ITEMS COVERED HEREIN ARE UNITIZED PRIOR TO ISSUANCE OF THIS APPENDIX, THE BOXES NEED NOT BE REUNITIZED SOLELY TO CONFORM TO THIS APPENDIX.

G. THE UNITIZATION PROCEDURES DEPICTED HEREIN MAY ALSO BE USED FOR UNITIZING DEMOLITION CHARGES WHEN IDENTIFIED BY DIFFERENT NATIONAL STOCK NUMBERS (NSN) THAN WHAT IS SHOWN ON PAGE 2, PROVIDED THE BOX PACK DOES NOT VARY FROM WHAT IS DELINEATED HEREIN. THE EXPLOSIVE CLASSIFICATION OF OTHER ITEMS MAY BE DIFFERENT THAN WHAT IS SHOWN.

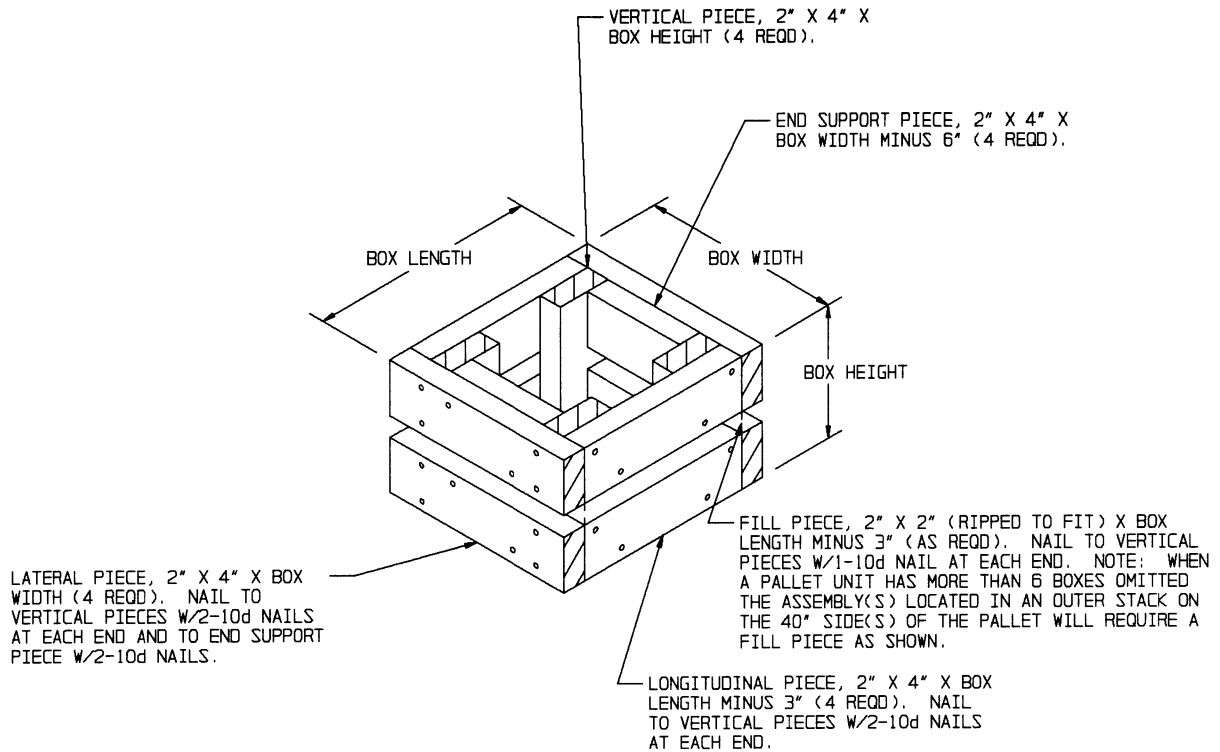
J. THE STYLE 1 PALLET DELINEATED IN THE DETAIL AT LEFT NEED NOT HAVE CHAMFERS OR STRAP SLOTS AS SPECIFIED WITHIN MILITARY SPECIFICATION MIL-P-15011 WHEN USED FOR THE UNITIZATION OF ITEMS COVERED BY THIS APPENDIX.

K. HORIZONTAL STRAPS MAY BE USED IN LIEU OF LOAD STRAPS. IF HORIZONTAL STRAPS ARE USED, INSTALL TO ENCIRCLE A LAYER OF BOXES ON THE PALLET. NOTE THAT THE STRAPS WILL BE LOCATED AS SHOWN, NEAR THE TOP OF EACH LAYER. HORIZONTAL STRAPS MUST BE TENSIONED AND SEALED PRIOR TO THE APPLICATION OF TIEDOWN STRAPS.

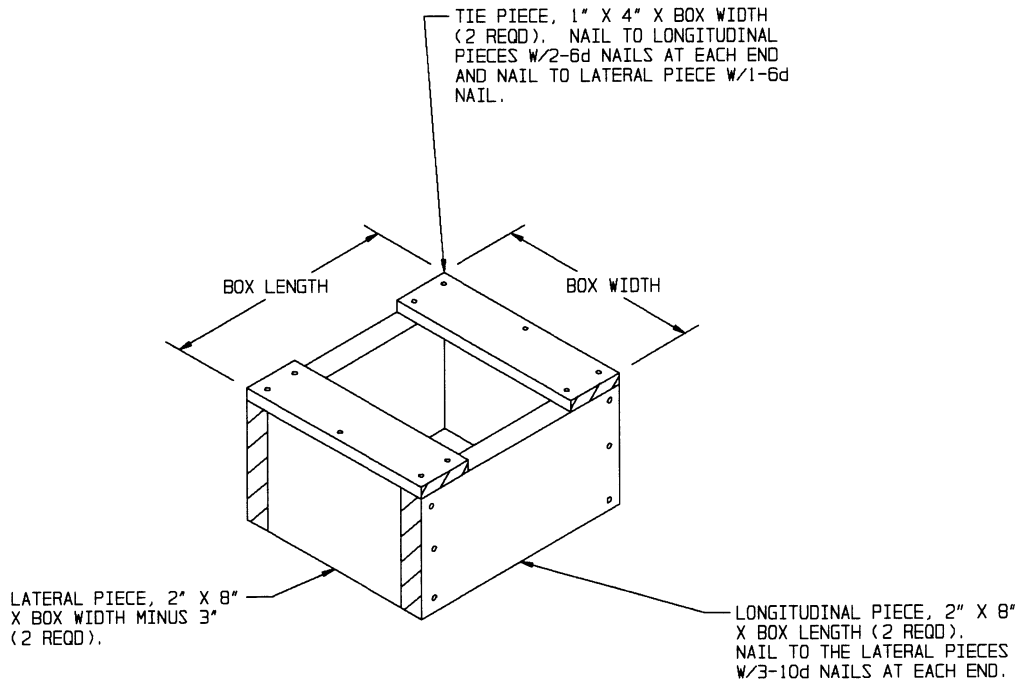
L. IF DEEMED MORE ECONOMICALLY FEASIBLE, THE ALTERNATIVE FILLER ASSEMBLY MAY BE SUBSTITUTED FOR THE FILLER ASSEMBLY TO COMPLETE A LAYER ON A PALLET.

M. FOR DETAILS OF THE WIREBOUND BOX SEE DRAWING 9392513.

N. POSITION THE THREE OUTBOARD BOXES ON THE 40" SIDES OF THE BOTTOM LAYER OF THE UNIT WITH THE TOPS DOWNWARD, AND THE THREE OUTWARD BOXES ON THE 40" SIDES OF THE TOP LAYER OF THE UNIT WITH TOPS UPWARDS.



FILLER ASSEMBLY
(FOR MINUS ONE BOX)



ALTERNATIVE FILLER ASSEMBLY
(FOR MINUS ONE BOX)
SEE GENERAL NOTE "L" ON PAGE 3.