

APPENDIX 119A

UNITIZATION PROCEDURES FOR BOXED AMMUNITION AND COMPONENTS ON 4-WAY ENTRY PALLETS

SHAPED CHARGES, LINEAR, FLEXIBLE, PACKED
VARIOUS QUANTITIES PER WOODEN BOX,
UNITIZED 152 BOXES PER 42" X 53" PALLET;
APPROX BOX SIZE 75-7/8" L X 5-1/2" W X
2" H

NOTICE: THIS APPENDIX CANNOT STAND ALONE BUT MUST BE USED IN CONJUNCTION WITH
THE BASIC UNITIZATION PROCEDURES DRAWING 19-48-4116-20PA1002.

DISTRIBUTION STATEMENT A.

APPROVED FOR PUBLIC RELEASE:
DISTRIBUTION IS UNLIMITED.

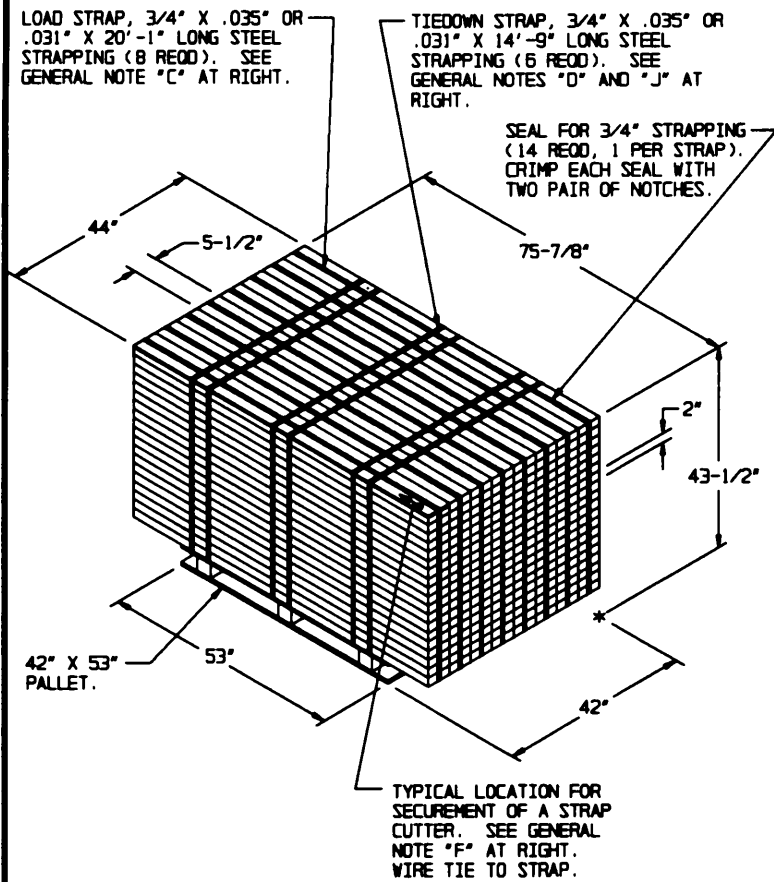
U. S. ARMY MATERIEL COMMAND DRAWING				
APPROVED, U. S. ARMY ARMAMENT, MUNITIONS AND CHEMICAL COMMAND NLH- <i>David A. Perko</i> AMSTA-ARA-ESK	DRAFTSMAN ENGINEER BETTY J. KUNDERT SANDRA M. SCHULTZ			
APPROVED BY ORDER OF COMMANDING GENERAL, U. S. ARMY MATERIEL COMMAND <i>William F Ernst</i> U. S. ARMY DEFENSE AMMUNITION CENTER AND SCHOOL	SUPPLY ENGINEERING DIVISION <i>D. J. Michel</i> TRANSPORTATION ENGINEERING DIVISION <i>W. Ernest</i> VALIDATION ENGINEERING DIVISION <i>W. Keenan</i> LOGISTICS ENGINEERING OFFICE <i>William F Ernst</i>	NOVEMBER 1994		
	CLASS	DIVISION	DRAWING	FILE
	19	48	4116/ 119A	20PA 1002

DO NOT SCALE

PALLET UNIT DATA				
ITEMS INCLUDED		HAZARD CLASS AND DIVISION ●		APPROX WEIGHT LBS
NSN	DDIC	OD CLASS	COMP GROUP	
1375-				
01-318-8571	MM41	1.1	D	2,540
01-318-9821	MM42	1.1	D	2,692
01-319-0940	MM43	1.1	D	2,844
01-318-9822	MM44	1.1	D	2,996
01-319-0941	MM45	1.1	D	3,148
01-318-0754	MM46	1.1	D	3,452
01-318-0753	MM47	1.1	D	3,604
01-319-9184	MM48	1.1	D	4,060

● HAZARD CLASSIFICATION DATA CONTAINED IN THE ABOVE CHART IS FOR GUIDANCE AND INFORMATIONAL PURPOSES ONLY. VERIFICATION OF THE SPECIFIED DATA SHOULD BE MADE BY CONSULTING THE MOST RECENT JOINT HAZARD CLASSIFICATION SYSTEM LISTING OR OTHER APPROVED LISTING(S).

GENERAL NOTES



PALLET UNIT

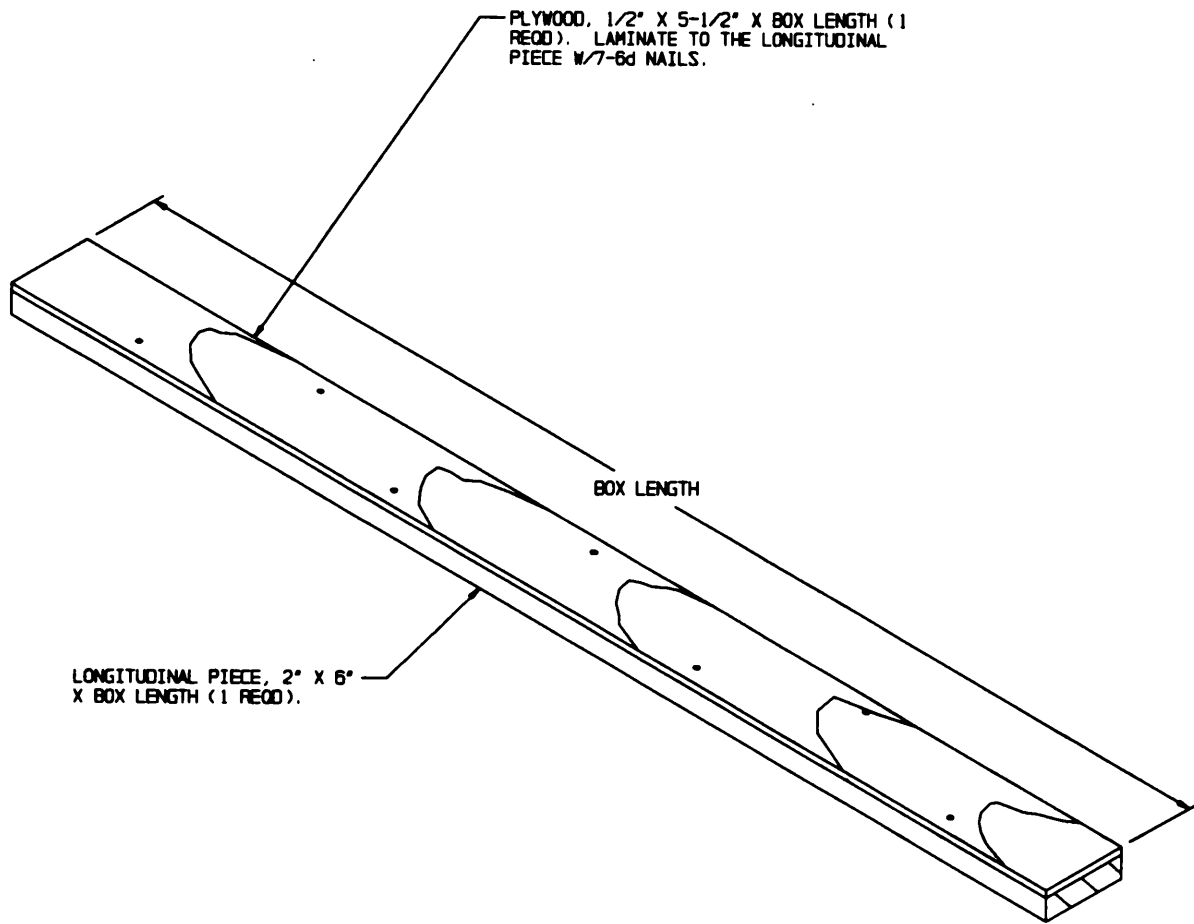
SEE GENERAL NOTE "B" AT RIGHT.

152 BOXES OF SHAPED CHARGES (5 PER BOX) AT 26 LBS	---	3,952 LBS (APPROX)
DUNNAGE	-----	18 LBS
PALLET	-----	90 LBS
TOTAL WEIGHT		4,060 LBS
CUBE		84.0 CU FT

BILL OF MATERIAL

PALLET, 42" X 53"	-----	1 REOD	-----	90 LBS
STEEL STRAPPING, 3/4"	-----	249.17' REOD	-----	17.80 LBS
SEAL FOR 3/4" STRAPPING	-----	14 REOD	-----	NIL

- A. THIS APPENDIX CANNOT STAND ALONE BUT MUST BE USED IN CONJUNCTION WITH THE BASIC UNITIZATION PROCEDURES DRAWING 19-48-4116-20PA1002. TO PRODUCE AN APPROVED UNIT LOAD, ALL PERTINENT PROCEDURES, SPECIFICATIONS AND CRITERIA SET FORTH WITHIN THE BASIC DRAWING WILL APPLY TO THE PROCEDURES DELINEATED IN THIS APPENDIX. ANY EXCEPTIONS TO THE BASIC PROCEDURES ARE SPECIFIED IN THIS APPENDIX.
- B. DIMENSIONS, CUBE AND WEIGHT OF A PALLET UNIT WILL VARY SLIGHTLY DEPENDING UPON THE ACTUAL DIMENSIONS OF THE BOXES AND THE WEIGHT OF THE SPECIFIC ITEM BEING UNITIZED.
- C. THE LOAD STRAPS MAY BE THREADED THROUGH THE STRAP SLOTS OF A PALLET OR PRE-POSITIONED ON THE PALLET DECK PRIOR TO PLACING BOXES ON THE PALLET. LOAD STRAPS MUST BE TENSIONED AND SEALED PRIOR TO APPLICATION OF TIEDOWN STRAPS.
- D. INSTALL EACH TIEDOWN STRAP TO PASS UNDER THE TOP DECK/STRINGER BOARDS OF THE PALLET AND TO BE LOCATED AS SHOWN. TIEDOWN STRAPS WILL NOT BE APPLIED UNTIL THE LOAD STRAPS HAVE BEEN TENSIONED AND SEALED.
- E. THE FOLLOWING AMC DRAWINGS ARE APPLICABLE FOR OUTLOADING AND STORAGE OF THE ITEMS COVERED BY THIS APPENDIX.
 - CARLOADING - - - - 19-48-4115-SPA1002
 - TRUCKLOADING - - - - 19-48-4117-11PA1003
 - STORAGE - - - - - 19-48-4118-1-2-3-4-14-22PA1002
 - END OPENING ISO CONTAINER - - - - 19-48-4153-15PA1002
 - MILVAN - - - - - 19-48-4166-15PA1003
 - SIDE OPENING ISO CONTAINER - - - - 19-48-4267-15PA1009
- F. FOR METHOD OF SECURING A STRAP CUTTER TO THE PALLET UNIT, SEE AMC DRAWING 19-48-4127-20P1000.
- G. IF ITEMS COVERED HEREIN ARE UNITIZED PRIOR TO ISSUANCE OF THIS APPENDIX, THE BOXES NEED NOT BE REUNITIZED SOLELY TO CONFORM TO THIS APPENDIX.
- H. THE UNITIZATION PROCEDURES DEPICTED HEREIN MAY ALSO BE USED FOR UNITIZING SHAPED CHARGES WHEN IDENTIFIED BY DIFFERENT NATIONAL STOCK NUMBERS (NSN) THAN WHAT IS SHOWN ON PAGE 2, PROVIDED THE BOX PACK DOES NOT VARY FROM WHAT IS DELINEATED HEREIN. THE EXPLOSIVE CLASSIFICATION OF OTHER ITEMS MAY BE DIFFERENT THAN WHAT IS SHOWN.
- J. WHEN THE TOTAL WEIGHT OF A 152 BOX UNIT LOAD IS 2,800 POUNDS OR LESS, ONLY 4 TIEDOWN STRAPS WILL BE REQUIRED TO RETAIN THE BOXES ON THE PALLET. WHEN THE TOTAL WEIGHT OF A 152 BOX UNIT LOAD IS 3,500 POUNDS OR LESS, ONLY 5 TIEDOWN STRAPS WILL BE REQUIRED TO RETAIN THE BOXES ON THE PALLET. OMIT THE MIDDLE ONE OR TWO TIEDOWN STRAPS, AS REQUIRED, IN THE DETAIL AT LEFT.
- K. THE STYLE 1B PALLET DELINEATED IN THE DETAIL AT LEFT NEED NOT HAVE CHAMFERS OR STRAP SLOTS AS SPECIFIED WITHIN MILITARY SPECIFICATION MIL-P-15011 WHEN USED FOR THE UNITIZATION OF ITEMS COVERED BY THIS APPENDIX.
- L. REGARDLESS OF THE QUANTITY OF BOXES TO BE PALLETIZED, THE TOTAL WEIGHT OF A FULLY LOADED PALLET UNIT WILL NOT EXCEED 4,000 POUNDS. WHEN THE TOTAL WEIGHT OF A FULLY LOADED PALLET UNIT EXCEEDS 4,000 POUNDS, ONE OR MORE LOADED BOXES MUST BE REMOVED, AND EITHER FILLER ASSEMBLIES, AS DEPICTED BELOW, OR EMPTY BOXES MUST BE SUBSTITUTED THEREFORE. FOR ADDITIONAL GUIDANCE, SEE THE "PROVISIONS FOR LESS-THAN-FULL-LAYER LOADS" IN THE BASIC UNITIZATION PROCEDURES DRAWING 19-48-4116-20PA1002.



FILLER ASSEMBLY
(FOR MINUS ONE BOX)