

APPENDIX IIOA

UNITIZATION PROCEDURES FOR BOXED AMMUNITION AND COMPONENTS ON 4-WAY ENTRY PALLETS

FLARE, SURFACE, AIRPORT, PACKED 1 PER WOODEN
BOX, UNITIZED 35 BOXES PER 35" X 45 $\frac{1}{2}$ " PALLET;
APPROX BOX SIZE 35 $\frac{3}{4}$ " L X 6 $\frac{5}{16}$ " W X 7 $\frac{7}{32}$ " H

PALLET UNIT DATA						
ITEMS INCLUDED		HAZARD CLASSIFICATION ①				WEIGHT
NSN	DODIC	DOT CLASS	CG CLASS	QD CLASS	COMP GROUP	(LBS)
1370-00-028-5941	L425	B	II-C	1.3	G	1,558

REVISION

REVISION NO. 1, DATED NOVEMBER 1984, CONSISTS OF:

1. CHANGING BOX DIMENSIONS.
2. UPDATING DRAWING FORMAT TO CONFORM WITH NO. 1 ABOVE.

NOTICE: THIS APPENDIX CANNOT STAND ALONE BUT MUST BE USED IN CONJUNCTION WITH THE BASIC UNITIZATION PROCEDURES DRAWING 19-48-4116-20PA1002.

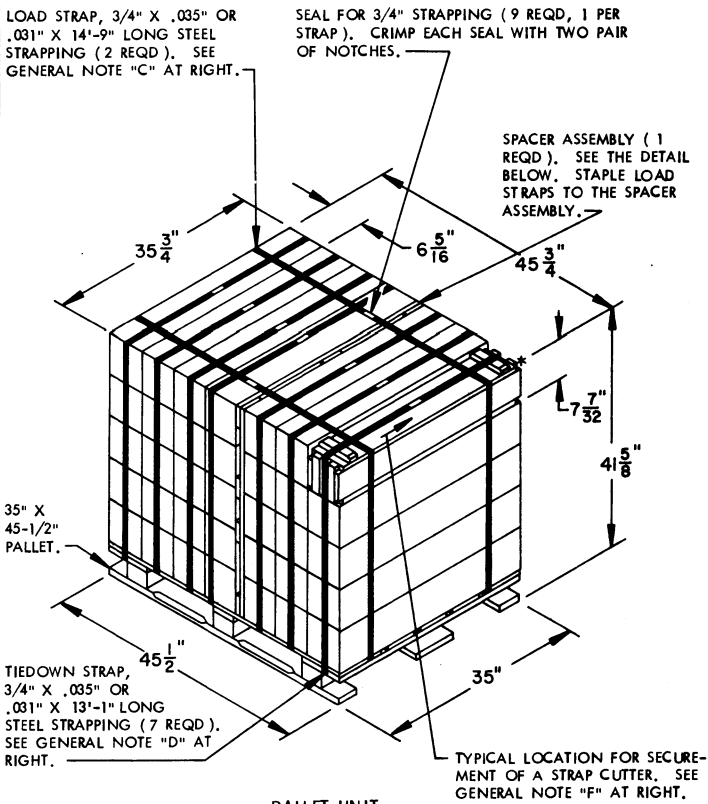
① HAZARD CLASSIFICATION DATA CONTAINED IN THE ABOVE CHART IS FOR GUIDANCE AND INFORMATIONAL PURPOSES ONLY. VERIFICATION OF THE SPECIFIED DATA SHOULD BE MADE BY CONSULTING THE MOST RECENT JOINT HAZARD CLASSIFICATION SYSTEM LISTING OR OTHER APPROVED LISTING(S).

DO NOT SCALE

REVISIONS				DRAFTSMAN GRG/700K	PROJ ENGR GBF/NEW
1	NOV 84	WRF 700K	Robert B. D. [Signature] SNCAR-EMC	RSH/0077 LOG ENGINE OFFICE	[Signature]
APPROVED, U. S. ARMY ARMAMENT MATERIEL READINESS COMMAND					
[Signature] DRSAR-EMC					
APPROVED BY ORDER OF COMMANDING GENERAL, U. S. ARMY MATERIEL DEVELOPMENT AND READINESS COMMAND (DARCOM)					
[Signature] U. S. ARMY DEFENSE AMMUNITION CENTER AND SCHOOL					
U. S. ARMY DARCOM DRAWING					
JULY 1980					
CLASS	DIVISION	DRAWING	FILE		
19	48	4116/ IIOA	20PA 1002		

GENERAL NOTES

- A. THIS APPENDIX CANNOT STAND ALONE BUT MUST BE USED IN CONJUNCTION WITH THE BASIC UNITIZATION PROCEDURES DRAWING 19-48-4116-20PA1002. TO PRODUCE AN APPROVED UNIT LOAD, ALL PERTINENT PROCEDURES, SPECIFICATIONS AND CRITERIA SET FORTH WITHIN THE BASIC DRAWING WILL APPLY TO THE PROCEDURES DELINEATED IN THIS APPENDIX. ANY EXCEPTIONS TO THE BASIC PROCEDURES ARE SPECIFIED IN THIS APPENDIX.
- B. DIMENSIONS, CUBE AND WEIGHT OF A PALLET UNIT WILL VARY SLIGHTLY DEPENDING UPON THE ACTUAL DIMENSIONS OF THE BOXES AND THE WEIGHT OF THE SPECIFIC ITEM BEING UNITIZED.
- C. LOAD STRAPS MAY BE PREPOSITIONED ON THE PALLET DECK OR THREADED THROUGH THE STRAP SLOTS OF THE PALLET. LOAD STRAPS WILL BE TENSIONED AND SEALED PRIOR TO TIEDOWN STRAPS.
- D. INSTALL EACH TIEDOWN STRAP TO PASS UNDER THE TOP DECK/STRINGER BOARDS OF THE PALLET AND TO BE LOCATED AS SHOWN. TIEDOWN STRAPS WILL NOT BE TENSIONED AND SEALED UNTIL THE LOAD STRAPS HAVE BEEN TENSIONED AND SEALED.
- E. THE FOLLOWING AMC (DARCOM) DRAWINGS ARE APPLICABLE FOR OUTLOADING AND STORAGE OF THE ITEMS COVERED BY THIS APPENDIX.
 - CARLOADING ----- DRAWING 19-48-4115-5PA1002
 - TRUCKLOADING ----- DRAWING 19-48-4117-11PA1003
 - STORAGE ----- DRAWING 19-48-4118-1-2-3-4-14-22PA1002
- F. FOR METHOD OF SECURING A STRAP CUTTER TO THE PALLET UNIT, SEE DARCOM DRAWING 19-48-4127-20P1000.
- G. IF ITEMS COVERED HEREIN ARE UNITIZED PRIOR TO ISSUANCE OF THIS APPENDIX, THE BOXES NEED NOT BE REUNITIZED SOLELY TO CONFORM TO THIS APPENDIX.
- H. THE UNITIZATION PROCEDURES DEPICTED HEREIN MAY ALSO BE USED FOR UNITIZING FLARES WHEN IDENTIFIED BY DIFFERENT NATIONAL STOCK NUMBERS (NSN) THAN WHAT IS SHOWN ON THE TITLE PAGE, PROVIDED THE BOX PACK DOES NOT VARY FROM WHAT IS DELINEATED HEREIN. THE EXPLOSIVE CLASSIFICATION OF OTHER ITEMS MAY BE DIFFERENT THAN WHAT IS SHOWN.



PALLET UNIT

SEE GENERAL NOTE "B" AT RIGHT.

35 BOXES OF FLARES (1 PER BOX) @ 42 LBS -----	1,470 LBS (APPROX)
DUNNAGE -----	23 LBS
PALLET -----	65 LBS
TOTAL WEIGHT -----	1,558 LBS (APPROX)
CUBE -----	39.4 CU FT (APPROX)

BILL OF MATERIAL

LUMBER	LINEAR FEET	BOARD FEET
1" X 4"	20.76	6.92
NAILS	NO. REQD	POUNDS
6d (2")	24	0.14

PALLET, 35" X 45-1/2" -----	1 REQD -----	65 LBS
STEEL STRAPPING, 3/4" -121.08' REQD -----	2 REQD -----	8.65 LBS
SEAL FOR 3/4" STRAPPING -----	9 REQD -----	NIL
STAPLE FOR 3/4" STRAPPING -----	2 REQD -----	NIL

TIE PIECE, 1" X 4" X WIDTH OF ONE OR TWO BOXES (2 REQD). NAIL TO LONGITUDINAL PIECES W/1-6d NAIL AT EACH END AND NAIL TO LATERAL PIECE W/3-6d NAILS.

