

## APPENDIX 107V

# UNITIZATION PROCEDURES FOR BOXED AMMUNITION AND COMPONENTS ON 4-WAY ENTRY PALLETS

SIGNAL, SMOKE AND ILLUMINATING MK 13 MOD 0,  
PACKED 12 PER METAL CAN, UNITIZED 25 PER  
35" X 45 $\frac{1}{2}$ " PALLET; APPROX CAN SIZE 8 $\frac{7}{8}$ " L  
X 6 $\frac{3}{4}$ " W X 6 $\frac{5}{16}$ " H

PALLET UNIT DATA						
ITEMS INCLUDED		HAZARD CLASSIFICATION <sup>①</sup>				WEIGHT
NSN	DODIC	DOT CLASS	CG CLASS	QD CLASS	COMP GROUP	(LBS)
1370-00-092-9955	L275	C	II-C	1.4	G	458

NOTICE: THIS APPENDIX CANNOT STAND ALONE BUT MUST BE USED IN CONJUNCTION WITH THE BASIC UNITIZATION PROCEDURES DRAWING 19-48-4116-20PA1002.

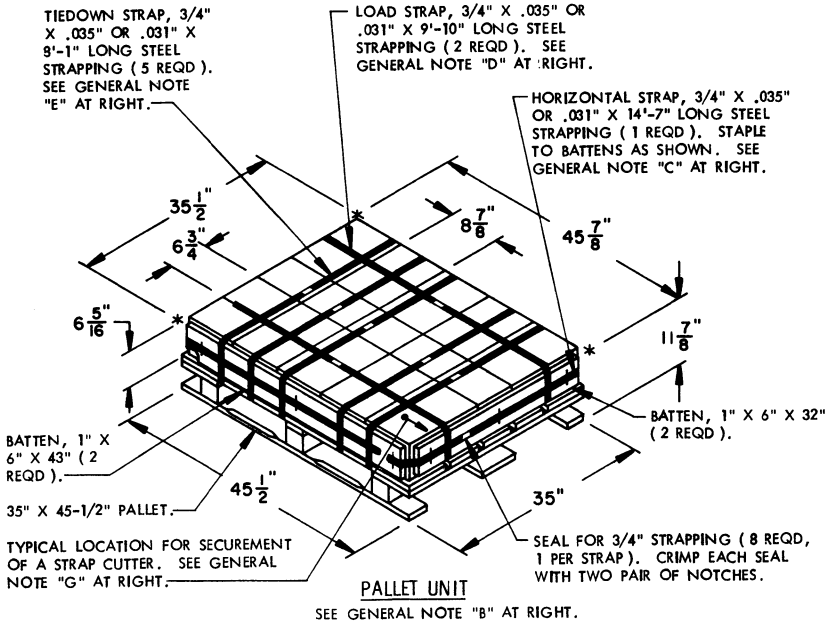
① HAZARD CLASSIFICATION DATA CONTAINED IN THE ABOVE CHART IS FOR GUIDANCE AND INFORMATIONAL PURPOSES ONLY. VERIFICATION OF THE SPECIFIED DATA SHOULD BE MADE BY CONSULTING THE MOST RECENT JOINT HAZARD CLASSIFICATION SYSTEM LISTING OR OTHER APPROVED LISTING(S).

REVISIONS				DRAFTSMAN <i>Dier</i>	PROJ ENG <i>RAR/WRE</i>
				CHECKER <i>GRS</i>	LOADING OFFICE <i>ZUL/M</i>
APPROVED, U.S. ARMY AMMUNITION, MUNITIONS AND CHEMICAL COMMAND					
			<i>J. Martin</i>		<i>S.O. Boyd</i> 1/25/85
APPROVED BY ORDER OF COMMANDING GENERAL, U.S. ARMY MATERIALS COMMAND (AMC)					
<i>John L. Boyd</i> U.S. ARMY DEFENSE AMMUNITION CENTER AND SCHOOL					
U.S. ARMY AMC DRAWING					
APRIL 1985					
				CLASS	DIVISION
				DRAWING	FILE
				19	48
				4116/ 107V	20PA 1002

**DO NOT SCALE**

**GENERAL NOTES**

- A. THIS APPENDIX CANNOT STAND ALONE BUT MUST BE USED IN CONJUNCTION WITH THE BASIC UNITIZATION PROCEDURES DRAWING 19-48-4116-20PA1002. TO PRODUCE AN APPROVED UNIT LOAD, ALL PERTINENT PROCEDURES, SPECIFICATIONS AND CRITERIA SET FORTH WITHIN THE BASIC DRAWING WILL APPLY TO THE PROCEDURES DELINEATED IN THIS APPENDIX. ANY EXCEPTIONS TO THE BASIC PROCEDURES ARE SPECIFIED IN THIS APPENDIX.
- B. DIMENSIONS, CUBE AND WEIGHT OF A PALLET UNIT WILL VARY SLIGHTLY DEPENDING UPON THE ACTUAL DIMENSIONS OF THE BOXES AND THE WEIGHT OF THE SPECIFIC ITEM BEING UNITIZED.
- C. INSTALL THE HORIZONTAL STRAP TO ENIRCLE THE LAYER OF BOXES ON THE PALLET. THE HORIZONTAL STRAP MUST BE TENSIONED AND SEALED PRIOR TO APPLICATION OF LOAD STRAPS AND TIEDOWN STRAPS.
- D. THE LOAD STRAPS MAY BE THREADED THROUGH THE STRAP SLOTS OF THE PALLET OR PRE-POSITIONED ON THE PALLET DECK PRIOR TO PLACING BOXES ON THE PALLET. LOAD STRAPS MUST BE TENSIONED AND SEALED PRIOR TO APPLICATION OF TIEDOWN STRAPS.
- E. INSTALL EACH TIEDOWN STRAP TO PASS UNDER THE TOP DECK BOARDS OF THE PALLET AND TO BE LOCATED AS SHOWN. TIEDOWN STRAPS WILL NOT BE APPLIED UNTIL THE LOAD STRAPS HAVE BEEN TENSIONED AND SEALED.
- F. THE FOLLOWING AMC (DARCOM) DRAWINGS ARE APPLICABLE FOR OUTLOADING AND STORAGE OF THE ITEMS COVERED BY THIS APPENDIX.  
 CARLOADING ----DRAWING 19-48-4115-5PA1002.  
 TRUCKLOADING -DRAWING 19-48-4117-11PA1003.  
 STORAGE -----DRAWING 19-48-4118-1-2-3-4-14-22PA1002.
- G. FOR METHOD OF SECURING A STRAP CUTTER TO THE PALLET UNIT, SEE DARCOM DRAWING 19-48-4127-20P1000.
- H. IF ITEMS COVERED HEREIN ARE UNITIZED PRIOR TO ISSUANCE OF THIS APPENDIX, THE BOXES NEED NOT BE REUNITIZED SOLELY TO CONFORM TO THIS APPENDIX.
- J. THE UNITIZATION PROCEDURES DEPICTED HEREIN MAY ALSO BE USED FOR UNITIZING SIGNALS WHEN IDENTIFIED BY DIFFERENT NATIONAL STOCK NUMBERS (NSN) THAN WHAT IS SHOWN ON THE TITLE PAGE, PROVIDED THE BOX PACK DOES NOT VARY FROM WHAT IS DELINEATED HEREIN. THE EXPLOSIVE CLASSIFICATION OF OTHER ITEMS MAY BE DIFFERENT THAN WHAT IS SHOWN.



25 BOXES OF SIGNALS ( 12 PER BOX ) @ 15 LBS -----	375 LBS
DUNNAGE -----	18 LBS
PALLET -----	65 LBS
<b>TOTAL WEIGHT -----</b>	<b>458 LBS ( APPROX )</b>
<b>CUBE -----</b>	<b>11.1 CU FT ( APPROX )</b>

BILL OF MATERIAL		
LUMBER	LINEAR FEET	BOARD FEET
1" X 6"	12.50	6.25
PALLET, 35" X 45-1/2" -----	1 REQD -----	65 LBS
STEEL STRAPPING, 3/4" -----	74.67' REQD -----	5.33 LBS
SEAL FOR 3/4" STRAPPING -----	8 REQD -----	NIL
STAPLE -----	12 REQD -----	NIL

