

APPENDIX 107T

UNITIZATION PROCEDURES FOR BOXED AMMUNITION AND COMPONENTS ON 4-WAY ENTRY PALLETS

SIGNAL, SMOKE AND ILLUMINATING MK 13 MOD 0
PACKED 100 PER WOODEN BOX, UNITIZED 20
BOXES PER 35" X 45 $\frac{1}{2}$ " PALLET; APPROX BOX
SIZE 21 $\frac{1}{2}$ " L X 19 $\frac{3}{4}$ " W X 6 $\frac{1}{2}$ " H

PALLET UNIT DATA						
ITEMS INCLUDED		HAZARD CLASSIFICATION ①				WEIGHT
NSN	DODIC	DOT CLASS	CG CLASS	QD CLASS	COMP GROUP	(LBS)
1370- 00-309-5027	L275	C	II-C	1.4	G	1,002

NOTICE: THIS APPENDIX CANNOT STAND ALONE BUT MUST BE
USED IN CONJUNCTION WITH THE BASIC UNITIZATION PROCEDURES
DRAWING 19-48-4116-20PA1002.

① HAZARD CLASSIFICATION DATA CONTAINED IN THE ABOVE CHART IS FOR GUIDANCE AND INFORMATIONAL PURPOSES ONLY. VERIFICATION OF THE SPECIFIED DATA SHOULD BE MADE BY CONSULTING THE MOST RECENT JOINT HAZARD CLASSIFICATION SYSTEM LISTING OR OTHER APPROVED LISTING(S).

DO NOT SCALE

REVISIONS				DRAFTSMAN	DS	PROJ ENG		
				<i>Dier</i>		<i>PAR/WRE</i>		
				CHECKER		LOG ENGRG OFFICE		
				<i>GEO</i>		<i>W. E. Emitt</i>		
APPROVED, U.S. ARMY ARMAMENT, MUNITIONS AND CHEMICAL COMMAND								
				<i>Greg Benton</i>		<i>B. J. Johnson</i>		
				BSCAR - EBT		AMSMC - TMD		
APPROVED BY ORDER OF COMMANDING GENERAL, U.S. ARMY MATERIAL COMMAND (AMC)								
				<i>John L. Boyd</i>				
U.S. ARMY AMC DRAWING								
JANUARY 1985								
				CLASS	DIVISION	DRAWING	FILE	
				19	48	4116/ 107T	20PA 1002	

PROJECT FSA 146/107T-7:

LOAD STRAP, 3/4" X .035" OR .031" X 14'-2" LONG STEEL STRAPPING (2 REQD). SEE GENERAL NOTE "C" AT RIGHT.

SEAL FOR 3/4" STRAPPING (4 REQD, 1 PER STRAP). CRIMP EACH SEAL WITH TWO PAIR OF NOTCHES.

SPACER ASSEMBLY (1 REQD). SEE THE DETAIL BELOW. STAPLE THE LOAD STRAPS TO THE SPACER ASSEMBLY.

35" X 45-1/2" PALLET.

TYPICAL LOCATION FOR SECUREMENT OF A STRAP CUTTER. SEE GENERAL NOTE "F" AT RIGHT.

PALLET UNIT

SEE GENERAL NOTE "B" AT RIGHT.

20 BOXES OF SIGNALS (100 PER BOX)	55 LBS	1,100 LBS (APPROX)
DUNNAGE	37 LBS	
PALLET	65 LBS	
TOTAL WEIGHT		1,202 LBS (APPROX)
CUBE		40.0 CU FT (APPROX)

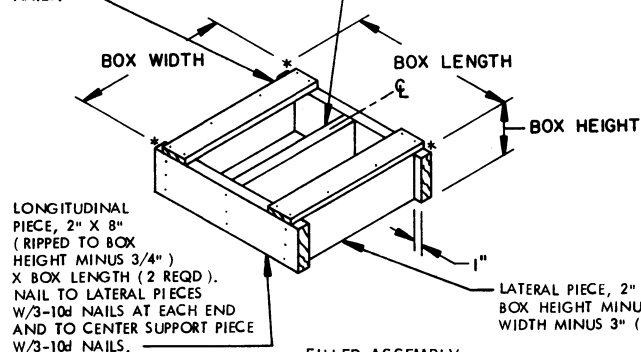
GENERAL NOTES

- A. THIS APPENDIX CANNOT STAND ALONE BUT MUST BE USED IN CONJUNCTION WITH THE BASIC UNITIZATION PROCEDURES DRAWING 19-48-4116-20PA1002. TO PRODUCE AN APPROVED UNIT LOAD, ALL PERTINENT PROCEDURES, SPECIFICATIONS AND CRITERIA SET FORTH WITHIN THE BASIC DRAWING WILL APPLY TO THE PROCEDURES DELINEATED IN THIS APPENDIX. ANY EXCEPTIONS TO THE BASIC PROCEDURES ARE SPECIFIED IN THIS APPENDIX.
- B. DIMENSIONS, CUBE AND WEIGHT OF A PALLET UNIT WILL VARY SLIGHTLY DEPENDING UPON THE ACTUAL DIMENSIONS OF THE BOXES AND THE WEIGHT OF THE SPECIFIC ITEM BEING UNITIZED.
- C. THE LOAD STRAPS MAY BE THREADED THROUGH THE STRAP SLOTS OF A PALLET OR PRE-POSITIONED ON THE PALLET DECK PRIOR TO PLACING BOXES ON THE PALLET. LOAD STRAPS WILL NOT BE TENSIONED AND SEALED UNTIL AFTER TIEDOWN STRAPS HAVE BEEN TENSIONED AND SEALED.
- D. INSTALL EACH TIEDOWN STRAP TO PASS UNDER THE TOP DECK BOARDS OF THE PALLET AND TO BE LOCATED AS SHOWN. TIEDOWN STRAPS WILL BE TENSIONED AND SEALED PRIOR TO LOAD STRAPS.
- E. THE FOLLOWING AMC (DARCOM) DRAWINGS ARE APPLICABLE FOR OUTLOADING AND STORAGE OF THE ITEMS COVERED BY THIS APPENDIX.
 CARLOADING----- DRAWING 19-48-4115-5PA1002
 TRUCKLOADING --- DRAWING 19-48-4117-11PA1003
 STORAGE ----- DRAWING 19-48-4118-1-2-3-4-14-22PA1002
- F. FOR METHOD OF SECURING A STRAP CUTTER TO THE PALLET UNIT, SEE DARCOM DRAWING 19-48-4127-20P1000.
- G. IF ITEMS COVERED HEREIN ARE UNITIZED PRIOR TO ISSUANCE OF THIS APPENDIX, THE BOXES NEED NOT BE REUNITIZED SOLELY TO CONFORM TO THIS APPENDIX.
- H. THE UNITIZATION PROCEDURES DEPICTED HEREIN MAY ALSO BE USED FOR UNITIZING SIGNALS WHEN IDENTIFIED BY DIFFERENT NATIONAL STOCK NUMBERS (NSN) THAN WHAT IS SHOWN ON THE TITLE PAGE, PROVIDED THE BOX PACK DOES NOT VARY FROM WHAT IS DELINEATED HEREIN. THE EXPLOSIVE CLASSIFICATION OF OTHER ITEMS MAY BE DIFFERENT THAN WHAT IS SHOWN.

BILL OF MATERIAL		
LUMBER	LINEAR FEET	BOARD FEET
2" X 4"	24.00	16.00
NAILS	NO. REQD	POUNDS
10d (3")	32	1/2
PALLETS, 35" X 45-1/2" ----- 1 REQD ----- 65 LBS		
STEEL STRAPPING, 3/4" ----- 54.50' REQD ----- 3.89 LBS		
SEAL FOR 3/4" STRAPPING ----- 4 REQD ----- NIL		
STAPLE ----- 2 REQD ----- NIL		

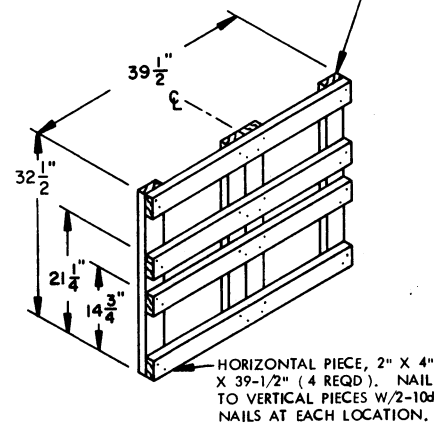
TIE PIECE, 1" X 4" X BOX WIDTH (2 REQD). NAIL TO LONGITUDINAL PIECES W/2-6d NAILS AT EACH END AND TO LATERAL PIECES W/2-6d NAILS.

CENTER SUPPORT PIECE, 2" X 8" (RIPPED TO BOX HEIGHT MINUS 3/4") X BOX WIDTH MINUS 3" (1 REQD).



FILLER ASSEMBLY
(FOR MINUS ONE BOX)

VERTICAL PIECE, 2" X 4" X 32-1/2" (4 REQD).



SPACER ASSEMBLY
(1 REQD).