

APPENDIX 106B

UNITIZATION PROCEDURES FOR BOXED AMMUNITION AND COMPONENTS ON 4-WAY ENTRY PALLET

**CARTRIDGE, PHOTOFLASH, PACKED 10 PER
WOODEN BOX, UNITIZED 48 BOXES PER 35" X
45-1/2" PALLET; APPROX BOX SIZE 19-1/2" L X
8-1/4" W X 11-1/8" H**

**NOTICE: THIS APPENDIX CANNOT STAND ALONE BUT MUST BE USED IN CONJUNCTION WITH
THE BASIC UNITIZATION PROCEDURES DRAWING 19-48-4116-20PA1002.**

DISTRIBUTION STATEMENT A:

**APPROVED FOR PUBLIC RELEASE;
DISTRIBUTION IS UNLIMITED.**

U.S. ARMY MATERIEL COMMAND DRAWING

<p style="font-size: small;">APPROVED, U.S. ARMY OPERATIONS SUPPORT COMMAND NLH</p> <p style="font-size: x-large; font-family: cursive;"><i>David W. Piskorik</i></p> <p style="font-size: x-small; text-align: right;">AMSTA-AR-WEP-RP</p>	<p>CAUTION: VERIFY PRIOR TO USE AT WWW.DAC.ARMY.MIL/DET THAT THIS IS THE MOST CURRENT VERSION OF THIS DOCUMENT. THIS IS PAGE 1 OF 4.</p>				
DO NOT SCALE		MARCH 1983			
<p style="font-size: x-large; font-family: cursive;"><i>Ed Aslett</i></p> <p style="font-size: x-small; text-align: right;">AMSOS-TM</p>	ENGINEER OR TECHNICIAN	BASIC REV.	<p>WILLIAM R. FRERICHS</p> <p>LAURA A. FIEFFER</p>		
APPROVED BY ORDER OF COMMANDING GENERAL, U.S. ARMY MATERIEL COMMAND	TRANSPORTATION ENGINEERING DIVISION	<p style="font-size: x-large; font-family: cursive;"><i>Laura A. Fieffer</i></p>		REVISION NO. 1	DECEMBER 2002
<p style="font-size: x-large; font-family: cursive;"><i>Charles J. Trov</i></p> <p style="font-size: x-small;">U.S. ARMY DEFENSE AMMUNITION CENTER</p>	VALIDATION ENGINEERING DIVISION	TESTED	SEE THE REVISION LISTING ON PAGE 2		
	ENGINEERING DIRECTORATE	CLASS	DIVISION	DRAWING	FILE
	<p style="font-size: x-large; font-family: cursive;"><i>William R. Frerichs</i></p>	19	48	4116/ 106B	20PA1002

PALLET UNIT DATA				
ITEMS INCLUDED		● HAZARD CLASS AND DIVISION	● COMPAT-ABILITY GROUP	APPROX WEIGHT LBS
NSN	DODIC			
1370-00-429-6158	L144	—————INERT—————		1,998

- HAZARD CLASSIFICATION DATA CONTAINED IN THE ABOVE CHART IS FOR GUIDANCE AND INFORMATIONAL PURPOSES ONLY. VERIFICATION OF THE SPECIFIED DATA SHOULD BE MADE BY CONSULTING THE MOST RECENT JOINT HAZARD CLASSIFICATION SYSTEM LISTING OR OTHER APPROVED LISTING(S).

REVISION

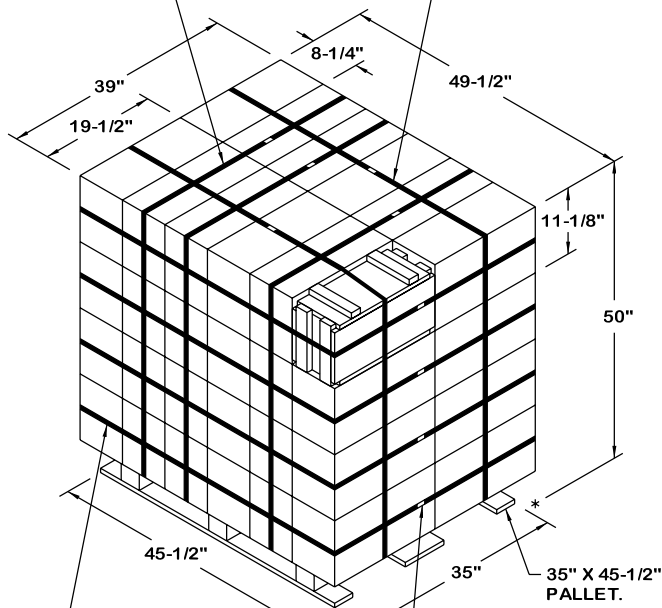
REVISION NO. 1, DATED DECEMBER 2002, CONSISTS OF:

1. CHANGING THE DODIC IN THE "PALLET UNIT DATA CHART".
2. UPDATING THE DRAWING FORMAT.

GENERAL NOTES

TIEDOWN STRAP, 3/4" X .035" OR .031" X 15'-0" LONG STEEL STRAPPING (3 REQD). SEE GENERAL NOTE "D" AT RIGHT.

LOAD STRAP, 3/4" X .035" OR .031" X 16'-9" LONG STEEL STRAPPING (2 REQD). SEE GENERAL NOTE "C" AT RIGHT.



HORIZONTAL STRAP, 3/4" X .035" OR .031" X 15'-9" LONG STEEL STRAPPING (4 REQD). SEE GENERAL NOTE "E" AT RIGHT.

SEAL FOR 3/4" STRAPPING (9 REQD, 1 PER STRAP). CRIMP EACH SEAL WITH TWO PAIR OF NOTCHES.

PALLET UNIT

SEE GENERAL NOTE "B" AT RIGHT.

48 BOXES OF PHOTOFASH CTGS (10 PER BOX) @ 40 LBS - - 1,920 LBS (APPROX)
 DUNNAGE - - - - - 13 LBS
 PALLET - - - - - 65 LBS

TOTAL WEIGHT - - - - - 1,998 LBS (APPROX)
 CUBE - - - - - 55.9 CU FT (APPROX)

BILL OF MATERIAL

PALLET, 35" X 45-1/2"	- - - - 1 REQD	- - - - 65 LBS
STEEL STRAPPING, 3/4"	- 141.50' REQD	- - - 12.63 LBS
SEAL FOR 3/4" STRAPPING	- - - 9 REQD	- - - - NIL

A. THIS APPENDIX CANNOT STAND ALONE BUT MUST BE USED IN CONJUNCTION WITH THE BASIC UNITIZATION PROCEDURES DRAWING 19-48-4116-20PA1002. TO PRODUCE AN APPROVED UNIT LOAD, ALL PERTINENT PROCEDURES, SPECIFICATIONS AND CRITERIA SET FORTH WITHIN THE BASIC DRAWING WILL APPLY TO THE PROCEDURES DELINEATED IN THIS APPENDIX. ANY EXCEPTIONS TO THE BASIC PROCEDURES ARE SPECIFIED IN THIS APPENDIX.

B. DIMENSIONS, CUBE AND WEIGHT OF A PALLET UNIT WILL VARY SLIGHTLY DEPENDING UPON THE ACTUAL DIMENSIONS OF THE BOXES AND THE WEIGHT OF THE SPECIFIC ITEM BEING UNITIZED.

C. THE LOAD STRAPS WILL BE THREADED THROUGH THE STRAP SLOTS OF A PALLET PRIOR TO PLACING THE BOXES ON THE PALLET. LOAD STRAPS MUST BE TENSIONED AND SEALED PRIOR TO APPLICATION OF TIEDOWN STRAPS.

D. INSTALL EACH TIEDOWN STRAP TO PASS UNDER THE TOP DECK BOARDS OF THE PALLET AND TO BE LOCATED BETWEEN THE END CLEATS OF THE BOXES. TIEDOWN STRAPS WILL NOT BE APPLIED UNTIL THE LOAD STRAPS HAVE BEEN TENSIONED AND SEALED.

E. INSTALL EACH HORIZONTAL STRAP TO ENCIRCLE A LAYER OF BOXES ON THE PALLET. HORIZONTAL STRAPS WILL NOT BE APPLIED UNTIL THE TIEDOWN STRAPS HAVE BEEN TENSIONED AND SEALED.

F. THE FOLLOWING AMC DRAWINGS ARE APPLICABLE FOR OUTLOADING AND STORAGE OF THE ITEMS COVERED BY THIS APPENDIX.

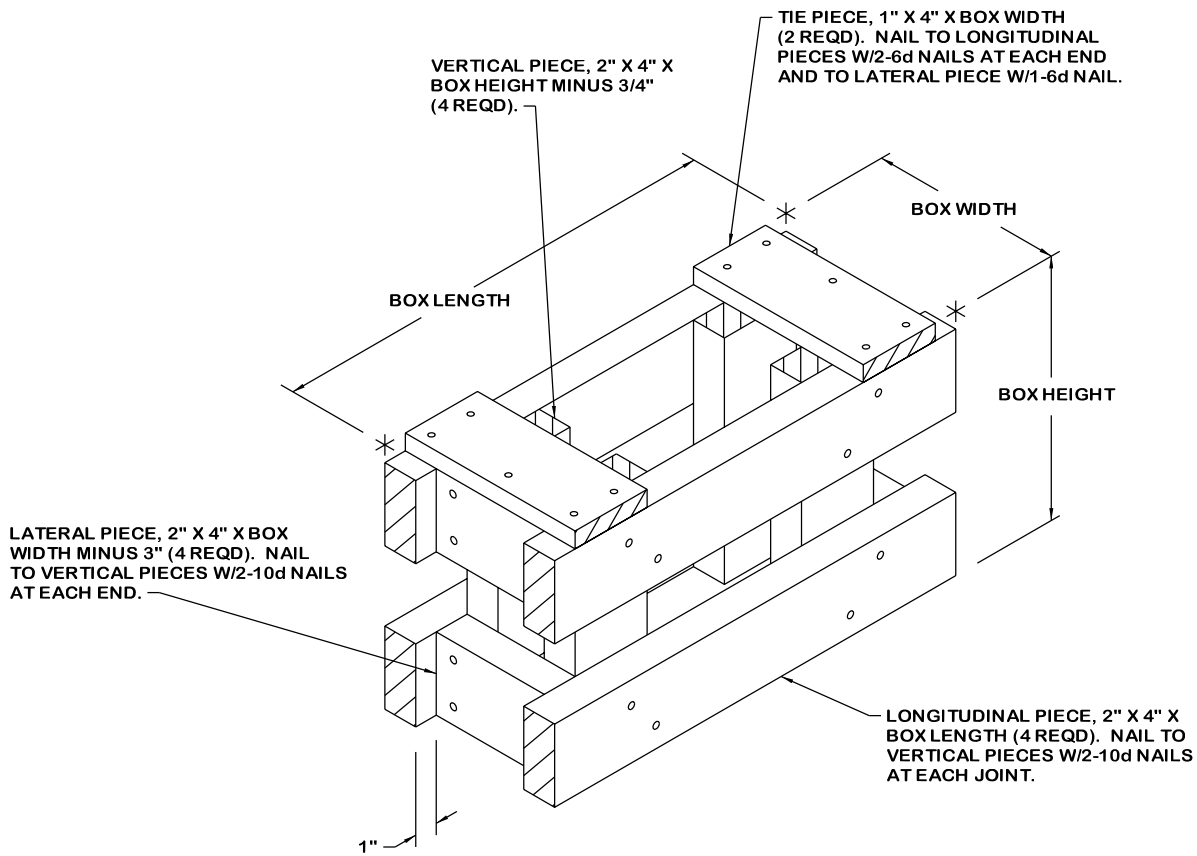
- CARLOADING - - - - 19-48-4115-5PA1002
- TRUCKLOADING - - - - 19-48-4117-11PA1003
- STORAGE - - - - - 19-48-4118-1-2-3-4-14-22PA1002
- END OPENING ISO CONTAINER - - - - 19-48-4153-15PA1002
- MILVAN - - - - - 19-48-4166-15PA1003
- SIDE OPENING ISO CONTAINER - - - - 19-48-4267-15PA1009

G. IF ITEMS COVERED HEREIN ARE UNITIZED PRIOR TO ISSUANCE OF THIS REVISION TO THIS APPENDIX, THE BOXES NEED NOT BE REUNITIZED SOLELY TO CONFORM TO THIS REVISION.

H. THE UNITIZATION PROCEDURES DEPICTED HEREIN MAY ALSO BE USED FOR UNITIZING PHOTOFASH CARTRIDGES WHEN IDENTIFIED BY DIFFERENT NATIONAL STOCK NUMBERS (NSN) THAN WHAT IS SHOWN ON PAGE 2, PROVIDED THE BOX PACK DOES NOT VARY FROM WHAT IS DELINEATED HEREIN. THE EXPLOSIVE CLASSIFICATION OF OTHER ITEMS MAY BE DIFFERENT THAN WHAT IS SHOWN.

J. WHEN THE UNIT LOAD DEPICTED AT LEFT IS TO BE USED FOR UNITIZING MARINE CORPS AMMUNITION, ONE LAYER OF BOXES MUST BE OMITTED, TIEDOWN STRAP LENGTHS MUST BE DECREASED TO 13'-2", LOAD STRAP LENGTHS MUST BE DECREASED TO 14'-11", AND ONE HORIZONTAL STRAP MUST BE OMITTED. THIS WILL RESULT IN AN OVERALL UNIT HEIGHT OF 38-7/8", A GROSS UNIT WEIGHT OF 1,516 POUNDS, AND A UNIT CUBE OF 43.4 CUBIC FEET. ADDITIONALLY, THE UNIT MAY BE MODIFIED AS DESCRIBED WHEN BEING SHIPPED BY MILVAN, ISO INTERMODAL FREIGHT CONTAINER, VAN TRAILER, OR BOXCAR. THE DETERMINATION TO REDUCE THE LOAD BY A LAYER FOR TRANSPORTATION WILL BE MADE BY THE RESPONSIBLE COMMAND AND WILL BE BASED UPON ECONOMICS OF TRANSPORTATION AND HANDLING.

K. FOR DETAIL OF THE WOODEN BOX SEE AIR FORCE SPI 00-429-6158.



FILLER ASSEMBLY
(FOR MINUS ONE BOX)