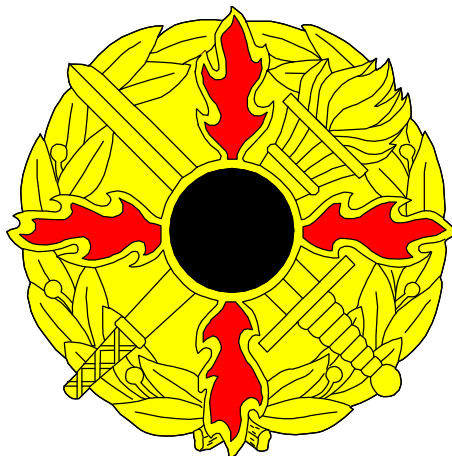


CONVENTIONAL AMMUNITION PACKAGING AND UNIT LOAD DATA INDEX (CAPULDI)

WITH CROSS REFERENCE TO UNITIZATION, STORAGE, AND OUTLOADING DRAWINGS



**DEFENSE AMMUNITION CENTER
EXPLOSIVES SAFETY ENGINEERING DIVISION
MCALESTER, OK**

Distribution statement A:

Approved for public release, distribution is unlimited.

This index applies to all activities having responsibility for unitizing, storing and outloading ammunition commodities and related components.

CAPULDI	
APPROVED BY ORDER OF COMMANDING GENERAL, U.S. ARMY MATERIEL COMMAND	
BRAILSFORD.KEITH H.ANTHONY.10286 55661	Digitally signed by BRAILSFORD.KEITH.ANTHONY. 1028655661 Date: 2024.11.14 09:50:36 -06'00'
KEITH A. BRAILSFORD, EXECUTIVE DIRECTOR DEFENSE AMMUNITION CENTER	
U. S. ARMY TECHNICAL CENTER FOR EXPLOSIVES SAFETY	
MACE.KENT .1056975302	Digitally signed by MACE.KENT.1056975302 Date: 2024.11.14 09:08:23 -06'00'
KENT MACE, DIRECTOR	
EXPLOSIVES SAFETY ENGINEERING DIVISION	
FIEFFER.LAURA .A.1230375727	Digitally signed by FIEFFER.LAURA.A.1230375727 Date: 2024.11.14 08:57:07 -06'00'
LAURA A. FIEFFER, CHIEF	
Revision 10	November 2024
AUTHOR: RICHARD H. GARSIDE	

Table of Contents

<u>Introduction</u>	<u>Page</u>
Table of Contents	i
Scope	ii
Reporting of Errors	ii
Description	ii
Data Information	ii
Abbreviations	iii-v
<u>Section 1</u>	
Section Introduction	1-i
DODIC/NSN Packaging/Unitization Information	1-1
<u>Section 2</u>	
Section Introduction	2-i
Outloading/Storage Cross-Reference	2-1

Introduction

Scope.

This unofficial guide is published for informational purposes and is intended for use by military and civilian Department of Defense personnel responsible for conventional ammunition unitization, storage, and shipment planning. For data other than unitization, storage and transportation drawings and associated information, the Joint Hazard Classification System (JHCS) Listing, the DOD Consolidated Ammunition Catalog, and the Army Master Data File (AMDF) are the authoritative sources for the data contained herein. This publication is not intended to supersede, contravene, or modify any of these publications or any other DOD or service criteria.

Reporting of Errors/Requesting Additional Information.

You can improve this guide or request additional information/assistance by contacting the Defense Ammunition Center, 1 C Tree Road, ATTN: ATCL-ACE, McAlester, OK 74501-9053, by e-mailing usarmy.mcalester.usamc.mbx.dac-det@army.mil, or by referring to the DAC home page - <https://defenseammunitioncenter.army.mil/>. **Note:** Some Navy and Air Force drawings are listed in this publication, these drawings are listed for information only; the most up to date drawing version should be requested from the appropriate source.

Description.

The Defense Ammunition Center (DAC) has an assigned mission to provide safe, efficient, cost effective, standardized methods for the unitization, storage and transportation of Single Manager for Conventional Ammunition (SMCA), DOD, and Army Class V munitions items. These DAC developed methods are delineated in official U.S. Army Material Command 19-48 series drawings and are distributed worldwide for implementation and use by any activity which has the responsibility for receipt, storage or issue of Army or SMCA ammunition.

Contained herein is a listing of conventional ammunition and guided missile items with unitization and container data and related drawing numbers. Data contained herein for each National Stock Number (NSN) or Department of Defense Identification Code (DODIC) have been extracted from approved drawing sources. Should additional unitization, storage or transportation information be required, refer to the specified 19-48 series drawing, which may be obtained using one of the five methods described in the paragraph at left.

Data Information.

Tabulated data contained herein has been separated into two sections. Section 1 is presented in alphanumeric ascending order by DODIC and NSN within each DODIC and contains container (package) data and unit load data such as length, width and height. Section 2 contains all known storage and outloading drawings for each index number listed in Section 1.

Abbreviations

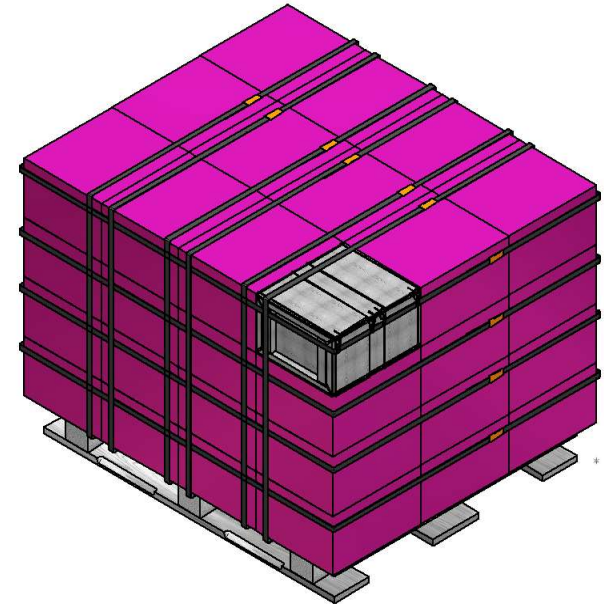
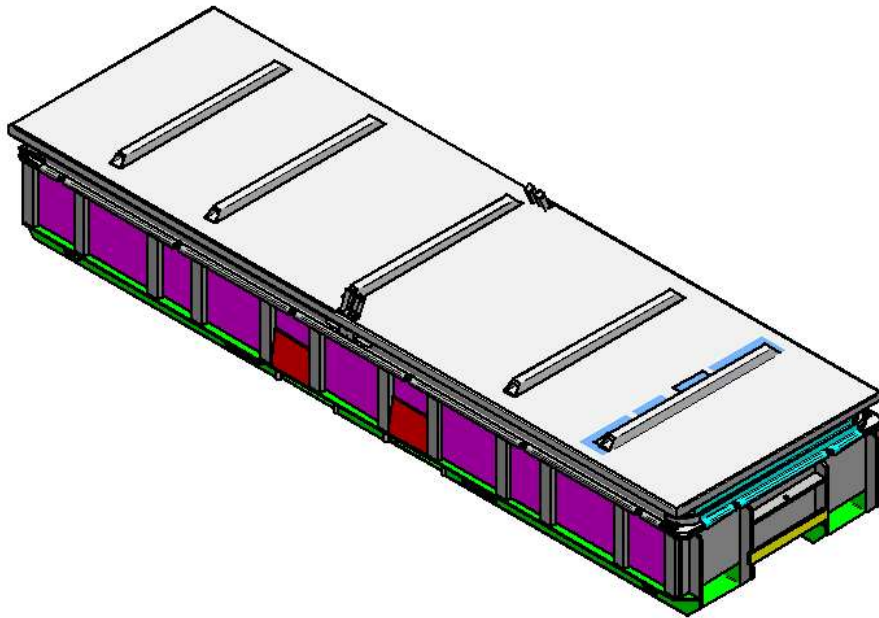
AAC	- ANTI-AIRCRAFT COMMON	CVT	- CONTROLLED VARIABLE TIME
AC	- AIRCRAFT COMMON	CXU	- CHARGE, SMOKE, IMPACT MARKING UNIT
ADAM-L	- AREA DENIAL ARTILLERY MINE - LONG	CYL	- CYLINDRICAL CONTAINER
ADAM-S	- AREA DENIAL ARTILLERY MINE - SHORT	DBL	- DOUBLE
ADF	- AUXILIARY DETONATING FUZE	DEMO	- DEMOLITION
ADU	- ADAPTER UNIT	DET	- DETONATING
ALUM	- ALUMINUM	DF	- METHYLPHOSPHORIC DIFLUORIDE
AP	- ARMOR PIERCING	DIA	- DIAMETER
APC-T	- ARMOR PIERCING CAPPED WITH TRACER	DODIC	- DEPARTMENT OF DEFENSE IDENTIFICATION CODE
APDS	- ARMOR PIERCING DISCARDING SABOT	DPICM	- DUAL PURPOSE IMPROVED CONVENTIONAL MUNITION
APER	- ANTIPERSONNEL	EXROD	- EXPLOSIVE REMOTE OPENING DEVICE
APERS	- ANTIPERSONNEL	FB	- FIBERBOARD
APFSDS	- ARMOR PIERCING FIN STABILIZED DISCARDING SABOT	FBPBX	- FIBERBOARD PALLET BOX
API	- ARMOR PIERCING INCENDIARY	FFAR	- FOLDING FIN AIRCRAFT ROCKET
AT	- ANTITANK	FLEX	- FLEXIBLE
ATWESS	- ANTITANK WEAPONS EFFECT	FMU	- FUZE MUNITION UNIT
AUX	- AUXILIARY	FRAG	- FRAGMENTATION
BAND	- BANDOLEER	FT	- FOOT
BBU	- EXPLOSIVE ITEM UNIT	FZU	- FUZE-RELATED MUNITIONS ITEM
BD	- BASE DETONATING	GB	- GREEN BAG OR SARIN
BDF	- BASE DETONATING FUZE	GEMSS	- GROUND EMPLACED MINE SCATTERING SYSTEM
BDU	- SIMULATED BOMB	GMLA	- GUIDED MISSILE LAUNCH ASSEMBLY
BE	- BASE EJECTION	GP	- GENERAL PURPOSE
BL	- BLIND LOADED	GR	- GRAIN (WEIGHT)
BLU	- BOMB/MINE LIVE UNIT	GRN	- GREEN
BX	- BOX	HC	- ALUMINUM ZINC OXIDE HEXACHLORETHANE
CAL	- CALIBER	HD	- DISTILLED MUSTARD
CHG	- CHARGE	HE	- HIGH EXPLOSIVE
CNTR	- CONTAINER	HEAT	- HIGH EXPLOSIVE ANTITANK
CNU	- SHIPPING AND STORAGE CONTAINER	HEDP	- HIGH EXPLOSIVE DUAL PURPOSE
COMP	- COMPOSITION	HEI	- HIGH EXPLOSIVE INCENDIARY
CR	- CRADLE	HEP	- HIGH EXPLOSIVE PLASTICIZED OR PLUGGED
CS	- TEAR GAS	HERA	- HIGH EXPLOSIVE ROCKET ASSISTED
CS-1	- TEAR GAS (SUPER)	HET	- HIGH EXPLOSIVE WITH TRACER
CTG	- CARTRIDGE		
CU	- CUBIC		

HGT	- HEIGHT	MTPD	- MECHANICAL TIME POINT DETONATING
HI-FRAG	- HIGH FRAGMENTATION	MTSQ	- MECHANICAL TIME AND SUPERQUICK
HMX	- OCTAGEN	NP	- NAPALM
HPT	- HIGH PRESSURE TEST	NON-SD	- NON SELF-DESTRUCTING
HT	- MUSTARD-T MIXTURE NITRATED	NSC	- NAVSEA SYSTEMS COMMAND
ICM	- IMPROVED CONVENTIONAL MUNITION	NSD	- NON SELF-DESTRUCTING
ILLUM	- ILLUMINATING	NSMP	- NON-STANDARD METAL PALLET
INC	- INCENDIARY	NSN	- NATIONAL STOCK NUMBER
IR	- INFRARED	NWHCDRS	- NAVAL WEAPONS HANDLING CENTER DATA RELEASE SHEET
JSOW	- JOINT STANDOFF WEAPON	OPA	- ISOPROPYL ALCOHOL - ISOPROPYLAMINE
LB(S)	- POUND(S)	PARA	- PARACHUTE
LEN	- LENGTH	P	- PLUGGED
LFS	- LEAD FREE SLUG	PBX	- PLASTIC BONDED RDX OR PALLET BOX
LHF	- LEFT HAND FEED	PBXN	- PLASTIC BONDED MOLDING POWDER
LR	- LONG RANGE	PD	- POINT DETONATING
M	- MODEL	PDF	- POINT DETONATING FUZE
MET	- METAL	PETN	- PENTAERYTHRITE TETRANITRATE
MICLIC	- MINE CLEARING LINE CHARGE	PGU	- GUN AMMUNITION UNIT
MIN	- MINUTE	PIBD	- POINT INITIATING BASE DETONATING
MJU	- MUNITIONS-COUNTERMEASURES UNIT	PLAS	- PLASTIC
MG	- MACHINE GUN	PLY	- PLYWOOD
MM	- MILLIMETER	PRAC	- PRACTICE
MOPMS	- MODULAR PACK MINE SYSTEM	PROJ	- PROJECTILE
MP	- METAL PALLET	PROP	- PROPELLING
MP1	- MIL-P-70786 TYPE I METAL PALLET (44" X 40")	QTY	- QUANTITY
MP2	- MIL-P-70786 TYPE II METAL PALLET (45.5" X 35")	RAAM-L	- REMOTE ANTI-AIRCRAFT MINE - LONG DELAY
MP3	- MIL-P-70786 TYPE III METAL PALLET (48" X 40")	RAAM-S	- REMOTE ANTI-AIRCRAFT MINE - SHORT DELAY
MP4	- MIL-P-70786 TYPE IV METAL PALLET (53" X 42")	RAP	- ROCKET ASSISTED PROJECTILE
MP5	- MIL-P-70786 TYPE V METAL PALLET (56" X 28")	RB	- RED BAG
MP6	- MIL-P-70786 TYPE VI METAL PALLET (70.75" X 29.31")	RDX	- CYCLONITE
MP7	- MIL-P-70786 TYPE VII METAL PALLET (78.5" X 29.31")	RF	- RAPID FIRE
MP-T	- MULTI-PURPOSE WITH TRACER	RHF	- RIGHT HAND FEED
MPSD	- MULTI-PURPOSE SELF-DESTRUCTING	RKT	- ROCKET
MPSM	- MULTI-PURPOSE SUB-MUNITION	RP	- RED PHOSPHOROUS
MS	- MILITARY STANDARD	RP/C	- ROCKET POD/CONTAINER
MT	- MECHANICAL TIME	SD	- SELF-DESTRUCTING
MTF	- MECHANICAL TIME FUZE	SF	- SLOW FIRE
		SGF2	- SMOKE GENERATOR FOG NO. 2

SK1	- TYPE I WOODEN SKID
SK1OR2	- TYPE I OR II WOODEN SKID
SK2	- TYPE II WOODEN SKID
SLAP	- SABOT LIGHT ARMOR PENETRATING
SMAW	- SHOULDER-LAUNCHED MULTI-PURPOSE ASSAULT WEAPON
SPSK2	- SPECIAL TYPE II WOODEN SKID
SRC	- SINGLE ROUND CONTAINER
SRTA	- SHORT RANGE TRAINING AMMUNITION
STL	- STEEL
SWP	- SPECIAL WOODEN PALLET
TNT	- TRINITROTOLUENE
TP	- TARGET PRACTICE
TPA	- TRIETHYL ALUMINUM
TPCSDS	- TARGET PRACTICE CONE STABILIZED DISCARDING SABOT
TPDS	- TARGET PRACTICE DISCARDING SABOT
TR	- TRACER
VT	- VARIABLE TIME
VX	- A NERVE GAS
W/	- WITH
W/O	- WITHOUT
WB	- WHITE BAG
WBD	- WIREBOUND
WBPBX	- WIREBOUND PALLET BOX
WDN	- WOODEN
WDU	- EXPLOSIVE LOADED WARHEAD UNIT
WGT	- WEIGHT
WHD	- WARHEAD
WID	- WIDTH
WP	- WHITE PHOSPHOROUS
WP	- WOODEN PALLET
WP1	- MIL-DTL-16011 TYPE I WOODEN PALLET (40" X 48")
WP1A	- MIL-DTL-16011 TYPE IA WOODEN PALLET (35" X 45-1/2")
WP1B	- MIL-DTL-16011 TYPE IB WOODEN PALLET (42" X 53")
YLW	- YELLOW

SECTION 1

Container and Unit Load Data



Section 1 Introduction

Section 1 Data Information.

Section 1 contains data related to the container or outer pack and the unit load. The data is sorted and presented in alphanumeric ascending order by DODIC and NSN within each DODIC. For those items which do not have a DODIC assigned, the listing is in ascending numeric order by NSN only and is found near the end of this section, unassigned (UNAS) will appear in lieu of a DODIC. For those items which do not have a NSN assigned, the listing is found at the end of the group for that particular DODIC, unassigned (UNAS) will appear in lieu of a NSN.

The DODIC and NSN columns appear first, followed by data pertaining to the item container, including the length, width, height, weight, and cube of the container, the quantity of items in the outer pack container, the type of container, and the outer pack drawing number. Zeros in these columns indicate that the item is a bomb, separate loading projectile (SLP), or similar item and is not packaged as containers in a unit load. The item nomenclature is listed next. The nomenclature used is unofficial and was obtained from various sources. The next section contains data pertaining to the item unit load. Base type indicates the type of pallet or base the item is loaded onto. The next six columns depict unit load length, width, height, weight, cube and the number of containers per unit load. The "DWG #" column indicates the unitization (or container) drawing that pertains to that specific item. Note: If there is an asterisk (*) before the drawing number, this indicates that this particular NSN was once listed on this drawing, but was deleted at some point, or that the drawing is obsolescent. Pallet units could still be in the

system palletized in this configuration. In the case of non-unitized items, the "# of containers" refers to the number of items in an outer pack and the drawing number refers to the drawing for the container or outer pack. The last column of Section 1 lists an index number for Section 2. This is used to find the list of related drawings located in Section 2. See Section 2 for a more thorough explanation.

Note: All length dimensions are expressed in inches, volume dimensions are expressed in cubic feet, and weights are expressed in pounds.

Unitization appendices (i.e. 4116/120A) must be used in conjunction with the applicable basic procedures drawings. For example, unitization drawing 19-48-4116/120A-20PA1002 is an appendix that must be used with basic procedures drawing 19-48-4116-20PA1002. This drawing describes the basic principles for unitization of boxed ammunition on wooden pallet.

DODIC	NSN	PACK LEN	PACK WID	PACK HGT	PACK DIA	PACK WGT	PACK CUBE	RDS/ PACK	PACKAGE TYPE	PACKAGE DRAWING #	NOMENCLATURE	BASE TYPE	UNIT LOAD LEN	UNIT LOAD WID	UNIT LOAD HGT	UNIT LOAD WGT	UNIT LOAD CUBE	PKG/ UNIT LOAD	UNIT LOAD DRAWING	SECT. 2 INDEX #
	1040010150874	28	28	18		240	8.2	1	PLY BOX		LAUNCHER, GRENADE SMOKE M239	SK2	56	28	41	991	37.2	4	4138/108	2
	105500000138	31.5	18.375	16.125		115	5.4	1	PLY BOX		LAUNCHER, GRENADE SMOKE M250	WP1A	36.75	48.375	37	760	38.1	6	4116/66C	1
	1055010590560	25	20.875	14.625		118	4.4	1	PLY BOX		LAUNCHER, GRENADE SMOKE M243	WP1	41.75	50	49.375	1501	59.6	12	4116/66D	1
	1055010701213	15.25	14.5	13.75		30	1.8	1	PLY BOX		LAUNCHER, GRENADE SMOKE M257	WP1B	43.5	55	36	817	49.8	24	4116/66A	1
	1055011077501	22.25	15	14.25		31	2.8	1	PLY BOX		LAUNCHER, GRENADE SMOKE M259	WP1B	44.5	57	35.5	593	52.1	16	4116/66B	1
	1055012072684	46.5	36.25	10.25		150	10	5	WDN BOX	28201930	LAUNCHER, 84MM M287 AT4	WP1A	36.25	46.5	46.5	671	45.5	4	4116/37B	1
	1055012072684	44.375	35.5	8.375		113	7.6	5	PLY BOX		LAUNCHER, 84MM M287 AT4	WP1A	35.5	45.875	39	530	36.8	4	4116/37	1
	1095010366886			20	20	53	4.6	1	MET DRUM		DISPENSER, GP AIRCRAFT M130	SPSK2	41	60	45.75	768	65.1	12	4138/109	2
	1095012249974	36.25	28.75	26.125		245	15.8	1	MET BOX		DISPENSER, MINE M138	SK2	38.75	61.75	57.25	1216	79.3	4	4138/88	2
	1290015638093	18.5938	8.2969	14.5938		30	1.3	12	M548	7258943	MUNITION ADAPTOR MODULE (MAM) - SPIDER	WP1	40.5	49.75	34.5	858	40	24	4116/92	1
	1305011555456	14.4375	12.5313	8.125		66.4	0.9	1640	WBD BOX	12551963-12	CARTRIDGE, 5.56MM BALL M855	WP1	43.375	50.125	38	3282	47.8	48	4116/5	1
	1305012569678	31.25	11.25	12		124	2.4	80	WDN BOX		CARTRIDGE, 25MM HEI-T M792	WP1B	45	57	36.75	2581	54.6	20	4116/17A	1
	1305015921710	14.5	12.75	8.375		66	0.9	180	WBD BOX	12576456	CARTRIDGE, CALIBER .50 BULK PACK	WP1	43.5	51	39	3262	50.1	48	4116/14	1
	1305015967097	14.5	12.75	8.375		79	0.9	240	WBD BOX	12576456	CARTRIDGE, CALIBER .50 BULK PACK	WP1	43.5	51	39	3886	50.1	48	4116/14	1
	1305015967099	14.5	12.75	8.375		79	0.9	240	WBD BOX	12576456	CARTRIDGE, CALIBER .50 BULK PACK	WP1	43.5	51	39	3886	50.1	48	4116/14	1
	1310010511550	15.5	10.1875	12.6563		61	1.2	1200	WDN BOX		BURSTER, PROJECTILE 60MM M19	WP1A	38	46.5	36.125	1718	36.9	27	4116/28N	1
	1310012669706	21.3125	10.625	16.3125		90	2.1	300	WDN BOX	12944420	CARTRIDGE CASE, 40MM M169	WP1	42.625	48.9375	48	2248	57.9	24	4116/26U	1
	1310014989274	18.75	6.375	10.375		42	0.7	32	PA120	12928042	TEST VEHICLE, 40MM W/CARTRIDGE CASE M169 F/M549 AND M549A1 FUZE	WP1	40	51	36.125	2148	42.7	48	4116/26S	1
	1315000390437	22.5	11.5	9.15		62.5	1.4	100	WDN BOX		COLOR BURST UNIT MK1-0 GRAY F/3/50 CAL OR 3/70 CAL PROJECTILE	MK12MP	34.5	45.75	41.5	1610	37.9	24	WR-53/22	1
	1315010682403	37			6.35	32	0.9	1	MK5	OR-68/41	CARTRIDGE, 3 INCH 50 VT	MK3 MP	40	48.4375	42.5	1849	47.6	53	MIL-STD-1323-1	1
	1315010793884	41.5			7.03	33.8	0.9	1	MK11	OR-68/36	CARTRIDGE, SUBASSEMBLY 76MM	MK3 MP	42.125	48.75	40.125	1416	44.7	36	MS1323-263	1
	1315010921135	37			6.35	32	0.9	1	MK5	OR-68/41	CARTRIDGE, 3 INCH 50 RF	MK3 MP	40	42.5	48.4375	1849	47.6	53	MIL-STD-1323-1	1
	1315011317824	41.5			7.03	36.4	0.9	1	MK11	OR-68/36	CARTRIDGE, 76MM SUBASSEMBLY	MK3 MP	42.125	48.75	40.125	1511	44.7	36	MS1323-263	1
	1315011317825	41.5			7.03	36.4	0.9	1	MK11	OR-68/36	CARTRIDGE, 76MM SUBASSEMBLY	MK3 MP	42.125	48.75	40.125	1511	44.7	36	MS1323-263	1
	1315011363621	37			6.35	32	0.9	1	MK5	OR-68/41	CARTRIDGE, 3 INCH 50 HE	MK3 MP	40	48.4375	42.5	1849	47.6	53	MIL-STD-1323-1	1
	1315011633428	37			6.35	32	0.9	1	MK5	OR-68/41	CARTRIDGE, 3 INCH 50 SUBASSEMBLY	MK3 MP	40	48.4375	42.5	1849	47.6	53	MIL-STD-1323-1	1
	1315011807282	41.5			7.03	35	0.9	1	MK11	OR-68/36	CARTRIDGE, 76MM 62 CAL HE LOADED FUZE TEST ASSEMBLY	MK3 MP	42.125	48.75	40.125	1461	44.7	36	MS1323-263	1
	1315012904748	23.375	17.375	18.625		67	4.4	192	WBD BOX	9294951	CARTRIDGE, IGNITION M752A1 FOR 81MM MORTAR	WP1A	37.25	46.75	40.25	609	40.6	8	4116/43L	1
	1315014184738	18.5938	8.2969	14.5938		72	1.3	20	M548		CANISTER LOADING ASSEMBLY, F/81MM CARTRIDGE	WP1	40.25	49.875	34.75	1866	40.4	24	4116/43R	1
	1315014184739	18.5938	8.2969	14.5938		72	1.3	20	M548		CANISTER LOADING ASSEMBLY, F/81MM CARTRIDGE	WP1	40.25	49.875	34.75	1866	40.4	24	4116/43R	1
	1315016953727	20.625	15.75	9.75		21	1.83	12	FBD BOX		MORTAR CARTRIDGE FIN, M31	WP1B	42	54.75	54.75	862	72.9	30	4116/38C	1
	1320000393337										PROJECTILE, 5 INCH 54 VT MK41 ALL	MK3 MP	40	48	31.75	3411	35.3	48	6214188	1
	1320000394303										PROJECTILE, 5 INCH 38 SUBASSEMBLY ILLUMINATING MK30	MK3 MP	40	48	27.5	2786	30.5	48	MS1323-4	1
	1320000394307										PROJECTILE, 5 INCH 38 SUBASSEMBLY ILLUMINATING MK3	MK3 MP	40	48	27.5	2775	30.5	48	MS1323-4	1
	1320000394329										PROJECTILE, 5 INCH 38 SUBASSEMBLY COMMON MK38 W/O DYE LOAD	MK3 MP	40	48	27.5	2814	30.5	48	MS1323-4	1
	1320000394331										PROJECTILE, 5 INCH 38 SUBASSEMBLY COMMON MK38 W/GREEN DYE LOAD	MK3 MP	40	48	27.5	2838	30.5	48	MS1323-4	1
	1320000394332										PROJECTILE, 5 INCH 38 SUBASSEMBLY COMMON MK38 W/RED DYE LOAD	MK3 MP	40	48	27.5	2838	30.5	48	MS1323-4	1
	1320000394333										PROJECTILE, 5 INCH 38 SUBASSEMBLY COMMON MK38 W/BLUE DYE LOAD	MK3 MP	40	48	27.5	2838	30.5	48	MS1323-4	1
	1320000394334										PROJECTILE, 5 INCH 38 SUBASSEMBLY COMMON MK38 W/ORANGE DYE LOAD	MK3 MP	40	48	27.5	2838	30.5	48	MS1323-4	1
	1320000394352										PROJECTILE, 5 INCH 38 SUBASSEMBLY SMOKE WP MK44	MK3 MP	40	48	27.5	2720	30.5	48	MS1323-4	1
	1320000394380										PROJECTILE, 5 INCH 38 SUBASSEMBLY AAC/HC MK35	MK3 MP	40	48	27.5	2700	30.5	48	MS1323-4	1
	1320000394403										PROJECTILE, 5 INCH 38 SUBASSEMBLY VT MK35	MK3 MP	40	48	27.5	2642	30.5	48	MS1323-4	1
	1320000394406										PROJECTILE, 5 INCH 38 SUBASSEMBLY COMMON MK46 W/GREEN DYE LOAD	MK3 MP	40	48	27.5	2841	30.5	48	MS1323-4	1
	1320000394407										PROJECTILE, 5 INCH 38 SUBASSEMBLY COMMON MK46 W/RED DYE LOAD	MK3 MP	40	48	27.5	2841	30.5	48	MS1323-4	1
	1320000394408										PROJECTILE, 5 INCH 38 SUBASSEMBLY COMMON MK46 W/BLUE DYE LOAD	MK3 MP	40	48	27.5	2841	30.5	48	MS1323-4	1
	1320000394425										PROJECTILE, 5 INCH 38 SUBASSEMBLY AAC/HC MK35	MK3 MP	40	48	27.5	2813	30.5	48	MS1323-4	1
	1320000394621										PROJECTILE, 5 INCH 38 SUBASSEMBLY AAC/HC MK49	MK3 MP	40	48	27.5	2706	30.5	48	MS1323-4	1
	1320000394639										PROJECTILE, 5 INCH 38 SUBASSEMBLY AAC/HC MK41	MK3 MP	40	48	34.5	3498	38.3	48	6214188	1
	1320000394640										PROJECTILE, 5 INCH 38 SUBASSEMBLY AAC/HC MK41	MK3 MP	40	48	34.5	3498	38.3	48	6214188	1
	1320000394643										PROJECTILE, 5 INCH 38 SUBASSEMBLY AAC/HC MK41	MK3 MP	40	48	31.75	3586	35.2	48	MS1323-4	1
	1320000394652										PROJECTILE, 5 INCH 38 SUBASSEMBLY ILLUMINATING MK48	MK3 MP	40	48	34.5	3399	38.3	48	6214188	1
	1320000394676										PROJECTILE, 6 INCH SUBASSEMBLY AP MK35 W/RED DYE LOAD	MK3 MP	40	48	32.75	3420	36.4	25	WR-54/118	1
	1320000394677										PROJECTILE, 6 INCH SUBASSEMBLY AP MK35 W/BLUE DYE LOAD	MK3 MP	40	48	32.75	3420	36.4	25	WR-54/118	1
	1320000394678										PROJECTILE, 6 INCH SUBASSEMBLY AP MK35 W/ORANGE DYE LOAD	MK3 MP	40	48	32.75	3420	36.4	25	WR-54/118	1
	1320000394726										PROJECTILE, 8 INCH SUBASSEMBLY HC MK24	MK3 MP	40	48	41	4434	45.5	16	WR-54/195	1
	1320000394769										PROJECTILE, 8 INCH SUBASSEMBLY AP MK21 W/O DYE LOAD	MK3 MP	40	48	42.25	4280	46.9	12	WR-54/196	1
	1320000394770										PROJECTILE, 8 INCH SUBASSEMBLY AP MK21 W/GREEN DYE LOAD	MK3 MP	40	48	42.25	4280	46.9	12	WR-54/196	1
	1320000394771										PROJECTILE, 8 INCH SUBASSEMBLY AP MK21 W/RED DYE LOAD	MK3 MP	40	48	42.25	4280	46.9	12	WR-54/196	1
	1320000394773										PROJECTILE, 8 INCH SUBASSEMBLY AP MK21 W/ORANGE DYE LOAD	MK3 MP	40	48	42.25	4280	46.9	12	WR-54/196	1
	1320000394790										PROJECTILE, 16 INCH SUBASSEMBLY HC MK13	MK3 MP	41	69	26	414				

DODIC	NSN	PACK LEN	PACK WID	PACK HGT	PACK DIA	PACK WGT	PACK CUBE	RDS/ PACK	PACKAGE TYPE	PACKAGE DRAWING #	NOMENCLATURE	BASE TYPE	UNIT LOAD LEN	UNIT LOAD WID	UNIT LOAD HGT	UNIT LOAD WGT	UNIT LOAD CUBE	PKG/ UNIT LOAD	UNIT LOAD DRAWING	SECT. 2 INDEX #
	1320000394816										PROJECTILE, 16 INCH SUBASSEMBLY AP MK8-1 THRU 5 W/ORANGE DYE LOAD	MK85CR	72	24.5	26.5	2792	27	1	WR-54/145	1
	1320000394818										PROJECTILE, 16 INCH SUBASSEMBLY AP MK8-6 THRU 8 W/O DYE LOAD	MK85CR	72	24.5	26.5	2795	27	1	WR-54/145	1
	1320000394820										PROJECTILE, 16 INCH SUBASSEMBLY AP MK8-6 THRU 8 W/RED DYE LOAD	MK85CR	72	24.5	26.5	2795	27	1	WR-54/145	1
	1320000932910										PROJECTILE, 16 INCH SUBASSEMBLY AP MK8-6 THRU 8 W/ORANGE DYE LOAD	MK85CR	72	24.5	26.5	2795	27	1	WR-54/145	1
	1320001056653										WARHEAD, 5 INCH 38 MK 74 MOD 0	MK3 MP	40	48	19.25	1280	21.4	48	WR-53/736	1
	1320006074047										PROJECTILE, 16 INCH SUBASSEMBLY AP MK8-1 THRU 5 W/O DYE LOAD	MK85CR	72	24.5	26.5	2796	27	1	WR-54/145	1
	1320006074107										PROJECTILE, 6 INCH SUBASSEMBLY AP MK35 W/GREEN DYE LOAD	MK3 MP	40	48	32.75	3420	36.4	25	WR-54/118	1
	1320006074111										PROJECTILE, 6 INCH SUBASSEMBLY AAC/HC MK34	MK3 MP	40	48	32.75	3298	36.4	30	WR-54/8	1
	1320006074114										PROJECTILE, 6 INCH SUBASSEMBLY AAC/HC MK34	MK3 MP	40	48	32.75	3298	36.4	30	WR-54/8	1
	1320006077791										PROJECTILE, 5 INCH SUBASSEMBLY VT MK49	MK3 MP	40	48	28.375	2642	31.6	48	MS-1323/4	1
	1320006077792										PROJECTILE, 5 INCH SUBASSEMBLY AAC/HC MK41	MK3 MP	40	48	34.5	3539	38.3	48	MS-1323/4	1
	1320006407857										PROJECTILE, 5 INCH 38 VT NON FRAG	MK3 MP	40	48	28.375	2678	31.6	48	MS-1323/4	1
	1320010284930	24	20	4.6		35.5	1.3	5	PLAS BOX	2816244	BEAKER, PBXN-106 LOADED FOR 5 INCH 54 CAL HI FRAG PROJ	WP1	41.5	49.5	42.625	1690	50.6	44	WR 53-803	1
	1320010284932							300	MK1		BEAKER, SUBCHARGE, PBXN-106 LOADED FOR 5 INCH 54 HIF	MK12MP	37	47.5	34.875	1629	35.4	20	WR-53/864	1
	1320010536687										PROJECTILE, 155MM HE M107 METAL PARTS	WP	27.125	13.625	31.75	677	6.7	8	9362569	40
	1320010756317										PROJECTILE, 5 INCH 54 SUBASSEMBLY MK64	MK3 MP	40	48	34.5	3435	38.3	48	6214188	1
	1320010769117										PROJECTILE, 5 INCH 38 SUBASSEMBLY MK51	MK3 MP	40	48	34.5	2633	38.3	48	6214188	1
	1320010772191	18.875	15.125	12.125		46		2	60	WDN BOX	DELAY ASSEMBLY, FOR 8 INCH M650 PROJECTILE	WP1A	37.75	48.5	35.75	807	37.9	16	4116/47B	1
	1320010796864										PROJECTILE, 5 INCH 54 SUBASSEMBLY MK64	MK3 MP	40	48	34.5	3435	38.3	48	6214188	1
	1320010830909										PROJECTILE, 5 INCH 38 SUBASSEMBLY MK51	MK3 MP	40	48	34.5	2633	38.3	48	6214188	1
	1320011163192										PROJECTILE, 5 INCH 54 CAL SUBASSEMBLY MK64	MK3 MP	40	48	34.5	3435	38.3	48	6214188	1
	1320011204573										PROJECTILE, 155MM PRACTICE M804 METAL PARTS	WP	27.125	13.625	31.6875	794	6.7	8	9362569	40
	1320011224946										PROJECTILE, 16 IN SUBASSEMBLY HC MK13	MK3 MP	41	69	26	4146	42.6	2	MS-1323-149	1
	1320012037487	22.8125	12.625	12.3125		79.7	2.1	150	WDN BOX	8861646-2	CHARGE, SUPPLEMENTARY OR BOOSTERS	WP1	45.625	50.5	42.5	2009	56.7	24	4116/44H	1
	1320012048049										PROJECTILE, 5 INCH 54 CAL SUBASSEMBLY MK64	MK3 MP	40	48	31.75	3435	35.3	48	6214188	1
	1320012311693	25.875	15.5625	8.3125		132	1.9	6	WDN BOX		ASSEMBLY, BASE BURNER FOR PROJECTILE 155MM M864	WP1	41.5625	51.75	52.1875	4051	65	30	4116/50C	1
	1320012458892	25.875	15.5625	8.3125		103	1.9	6	WDN BOX		ASSEMBLY, BASE BURNER FOR PROJECTILE 155MM M864	WP1	41.5625	51.75	52.1875	3181	65	30	4116/50C	1
	1320013476772										PROJECTILE, 155MM PRACTICE M804A1 METAL PARTS	WP	27.125	13.625	31.6875	794	6.7	8	9362569	40
	1320014654530										PROJECTILE, 155MM WP SMOKE M110A2 METAL PARTS	WP	27.125	13.625	31.75	675	6.7	8	9362569	40
	132500075578								CNU-154		WARHEAD, HE MK 87 MOD 2 FOR GW MK 5 MO		182	28	33	2047	97.3	1		99
	1325004229022	28.125	20	24.25		120	7.9	120	WBD BOX		ARMING DEVICE, BOMB	WP1	40	48.5	33.625	565	37.8	4	4116/52A	1
	1325004229023	24.25	21.75	8.25		24	2.5	120	WBD BOX		COUPLER, DRIVE ASSEMBLY	WP1	43.5	48.5	46.75	567	57.1	20	4116/52	1
	1325005335799								CNU-154		WARHEAD, HE MK 87-3 MK 5-6 WALLEYE II		182	28	33	2047	97.3	1		99
	1325010545164	19.5625	14.4375	11.9375		69	2	247	WDN BOX		BASE FUZE MK 1-0	MK12MP	39.125	47.75	48.5	1766	52.5	24	WR-53/711	1
	1325011306711	18.5938	8.2969	14.5938		40	1.3	0	M548		FUZE, BOMB FMU-112/B WITH LIVE BOOSTER	WP1	40.5	49.75	49	1602	57.1	36	4116/59	1
	1325011570967	18.5938	8.2969	14.5938		50	1.3	28	M548		FUZE, 343 0	WP1	41.5	56	49.25	2351	66.2	45	WR-53/813	1
	1325012492302								CNU-592	961000-10	AIRFOIL GROUP, MXU-787/B		145.5	42.125	18.375	764	65	1		168
	1325014839858	18.625	8.25	14.5		40	1.3	2	M548		PROXIMITY SENSOR, TRAINING DSU-33B(D-2)/B	MK3 MP	40.1875	49.625	35.125	1120	40.5	24	F013948480	1
	1325015403614	18.625	8.25	14.5		40	1.3	2	M548		PROXIMITY SENSOR, DUMMY DSU-33C(D-5)/B	MK3 MP	40.1875	49.625	35.125	1120	40.5	24	F013948480	1
	1330010524928	14.5	12.5	15		30	1.6	1000	FB BOX		FUZE, GRENADE M223	WBPBX	44.25	50.75	37	851	48.1	24	4169/71	4
	1330010524928	14.5	12.5	15		30	1.6	1000	FB BOX		FUZE, GRENADE M223	FBPXB	40	48	36	677	40	18	4169/71	4
	1336001362510	33.13			20.25	302	6.2	1	MK211-1	OR-68/97	WARHEAD, HE MK 73 MOD 0 FOR AGM-78A 78	WP1	43.75	48	40.125	1378	48.6	4	MS-1322/90	1
	1336006114388	29.0313	11.2188	11.25		55	2.2	4	MK129-0		FUZE, INFLUENCE MK 303 MOD 2 WITHOUT WARHEAD	MK21MP	35.1875	51.5	38.875	935	40.8	15	WR-54/22	1
	1336008584304								MK408-0		WARHEAD, HE MK40 MOD 0 FOR AGM-12C		79	29.94	33.18	1500	45.4	1		999
	1336009303480	43.75			16	198.3	5.1	1	MK396-0		WARHEAD, GM, HE, MK 68 MOD 0 FOR AGM-45A/B	MK12MP	49.125	35	49.125	1378	49	6	WR-54/105	1
	1336010060521	33.13			20.25	436	6.2	1	MK211-1	OR-68/97	WARHEAD, HE MK 73-1 FOR AGM-78B,C	WP1	43.75	48	40.125	1378	48.6	4	MS-1322/90	1
	1336010338319	43.75			16	198.3	5.1	1	MK396-0		WARHEAD, HE, WDU-22B, FOR AGM-45A/B, SHRIKE MISSILE	MK12MP	49.125	35	49.125	1378	49	6	WR-54/105	1
	1336011507941	25			11	63.5	27.9	1	CNU-125	2603387	WARHEAD, HE WDU-27/B	MK12MP	35	45.5	30	1677	27.7	12	WR-54/109	1
	1336012348915	28.5			19.37	210.5	4.9	1	CNU-386	AR-68/82	WARHEAD, GUIDED MISSILE WDU-29B	WP1	41	48	34.75	970	39.6	4	WR-53/876	1
	1336012702320								MK592	OR-68/182	WARHEAD SECTION, GRAY HARPOON WAU-38(V)/B		57.25	28.75	30.25	717	28.8	1		99
	1336012702321								MK592	OR-68/182	WARHEAD SECTION, GRAY HARPOON WAU-3A(I)/2/B		57.25	28.75	30.25	717	28.8	1		99
	1336012702322								MK592	OR-68/182	WARHEAD SECTION, GRAY HARPOON WAU-3A(V)1/B		57.25	28.75	30.25	717	28.8	1		99
	1336012702323								MK592	OR-68/182	WARHEAD SECTION, GRAY HARPOON WAU-3A(V)2/B		57.25	28.75	30.25	717	28.8	1		99
	1336012710402								MK592	OR-68/182	WARHEAD SECTION, GRAY HARPOON WAU-3(V)1/V		57.25	28.75	30.25	717	28.8	1		99
	1336012834744								MK592	OR-68/182	EXERCISE SECTION, SLAM AN/DKT-70(V)		57.25	28.75	30.25	717	28.8	1		99
	1336012834767								MK592	OR-68/182	WARHEAD SECTION, WAU-23/B FOR SLAM MISSILE		57.25	28.75	30.25	717	28.8	1		99
	1336012880722								MK592	OR-68/182	WARHEAD SECTION, HARPOON HE WAU-3E(V)/B		57.25	28.75	30.25	717	28.8	1		99
	1336012880723								MK592	OR-68/182	WARHEAD SECTION, HARPOON HE WAU-3G(V)/B		57.25	28.75	30.25	717	28.8	1		99
	1336012886178								MK592	OR-68/182	WARHEAD SECTION, HARPOON HE WAU-3D(V)/B		57.25	28.75	30.25	717	28.8	1		99
	1336012891950								MK592	OR-68/182	WARHEAD SECTION, HARPOON HE WAU-3(V)/B		57.25	28.75	30.25	717	28.8	1		99
	1336013639048								MK592	OR-68/182	WARHEAD SECTION, WAU-23/B FOR SLAM MISSILE		57.25	28.75	30.25	717	28.8	1		99
	1337007706486	26.5	19																	

DODIC	NSN	PACK LEN	PACK WID	PACK HGT	PACK DIA	PACK WGT	PACK CUBE	RDS/ PACK	PACKAGE TYPE	PACKAGE DRAWING #	NOMENCLATURE	BASE TYPE	UNIT LOAD LEN	UNIT LOAD WID	UNIT LOAD HGT	UNIT LOAD WGT	UNIT LOAD CUBE	PKG/ UNIT LOAD	UNIT LOAD DRAWING	SECT. 2 INDEX #
	1337012722360								MK621-0	OR-68/56	SUSTAINER SECTION, GRAY HARPOON A/B44G-1I		103	23.625	28	972	39.5	1		99
	1337012722361								MK621-0	OR-68/56	SUSTAINER SECTION, GRAY HARPOON A/B44G-1		103	23.625	28	972	39.5	1		99
	1337012722362								MK621-0	OR-68/56	SUSTAINER SECTION, GRAY HARPOON A/B44G-1		103	23.625	28	972	39.5	1		99
	1337012722363								MK621-0	OR-68/56	SUSTAINER SECTION, GRAY HARPOON A/B44G-1		103	23.625	28	1020	39.5	1		99
	1337012722364								MK621-0	OR-68/56	SUSTAINER SECTION, GRAY HARPOON A/B44G-1A		103	23.625	28	1020	39.5	1		99
	1337012722365								MK621-0	OR-68/56	SUSTAINER SECTION, GRAY HARPOON A/B44G-1A		103	23.625	28	972	39.5	1		99
	1337012722366								MK621-0	OR-68/56	SUSTAINER SECTION, GRAY HARPOON A/B44G-1F		103	23.625	28	1020	39.5	1		99
	1337012722367								MK621-0	OR-68/56	SUSTAINER SECTION, GRAY HARPOON A/B44G-1F		103	23.625	28	1020	39.5	1		99
	1337012760422								MK621-0	OR-68/56	SUSTAINER SECTION, GRAY HARPOON A/B44G-1D		103	23.625	28	726	39.5	1		99
	1337012760423								MK621-0	OR-68/56	SUSTAINER SECTION, GRAY HARPOON A/B44G-1		103	23.625	28	726	39.5	1		99
	1337012855732								MK621-0	OR-68/56	SUSTAINER SECTION, SLAM A/B44G-1K		103	23.625	28	1000	39.5	1		99
	1340002209973										WARHEAD, 5 INCH 54, MK 78 MOD 0	MK3 MP	40	48	20.25	1572	22.5	48	WR-53/749	1
	1340005557177										WARHEAD, 5 INCH ROCKET MK 24 MOD 0	MK3 MP	40	48	28.625	2728	32.2	48	7516604	1
	1340009073478									WDN CRATE	PROPELLANT GRAIN, MK 49 MOD 1	CRATE	58.75	33.25	38.9375	1660	44	36	WR-53/505	1
	1340011813684	18.9375	11.25	11.0625		57	1.4	240	WDN BOX		CHARGE, BURSTER FILLED ASSEMBLY FOR M156 2.75 INCH ROCKET WARHEAD	WP1A	37.875	45.75	39.25	1453	39.4	24	4116/87	1
	1345008287458	19.125	16.8125	17.5938		82	3.3	100	WDN BOX		FUZE, MINE AT	WP1A	38.25	50.5	40.75	1055	45.6	12	4116/96E	1
	1370001952668	43	16	8		91	3.2	2	WDN BOX	SPI F01-083-0323	FLARE, AIRCRAFT PARACHUTE DUMMY LUU-2/B	WP1	43	48	53.5	1726	63.9	2	4116/110L	1
	1370012098783	15.75	12.5625	8.3125		56	1	8	WDN BOX		FLARE, CARTRIDGE, ALA-17B	WP1A	37.75	47.25	38.75	2087	40	36	4116/110G	1
	1375014311156	17	13.375	9.375		48	1.3		WBD BOX	11753014	FIRING DEVICE, DEMOLITION RADIO TYPE M152 (RAMS)	WP1	40.125	51	43	1818	50.9	36	4116/129B	1
	1375015454428	10.125	13.5	9.5		31	0.8	1	WBD BOX	11753405	MAGNETO-INDUCTIVE REMOTE ACTIVATION MUNITION SYSTEM (MI-RAMS)	WP1	40.5	50.625	43.5	1951	51.6	60	4116/129C	1
	1376000055116	18.5	15.25	7.375		64	1.2	60	FB BOX	7548645	CYCLOTOL, 69.6% RDX/29.9% TNT/0.5% CALCIUM SILICATE TYPE II CLASS B	WP1A	37	45.75	50	2379	49	36	4177/1	81
	1376000057723	18.5	15.25	7.375		64	1.2	60	FB BOX	7548645	COMPOSITION C-4, GRANULAR CLASS 3	WP1A	37	45.75	50	2379	49	36	4177/1	81
	1376000057725								FB BOX	7548645	COMPOSITION, OCTOL 70/30 BUDS OR STRIPS TYPE II						49	36	4177/1	81
	1376000069651	17.75	12	10		54	1.2	0	WDN BOX		TNT, 2, 4, 6-TRINITROTOLUENE	WP1	40	48	41	1817	45.6	32	*4116/139B	1
	1376000074874			27.5	19.125	245	4.6	0	FB DRUM		CYCLOTTRIMETHYLENETRINITRAMINE, RDX	SWP	38.25	57.5	33	1561	42	6	4177/4	105
	1376000074875			27.5	19.125	245	4.6	0	FB DRUM		CYCLOTTRIMETHYLENETRINITRAMINE, RDX	SWP	38.25	57.5	33	1561	42	6	4177/4	105
	1376000074876			27.5	19.125	245	4.6	0	FB DRUM		CYCLOTTRIMETHYLENETRINITRAMINE, RDX	SWP	38.25	57.5	33	1561	42	6	4177/4	105
	1376000074877			27.5	19.125	205	4.6	0	FB DRUM		CYCLOTTRIMETHYLENETRINITRAMINE, RDX	SWP	38.25	57.5	33	1321	42	6	4177/4	105
	1376000074878			27.5	19.125	245	4.6	0	FB DRUM		CYCLOTTRIMETHYLENETRINITRAMINE, RDX	SWP	38.25	57.5	33	1561	42	6	4177/4	105
	1376000776402	18.5	15.25	7.375		64	1.2	60	FB BOX	7548645	COMPOSITION B-4, RDX DESENSITIZED BUDS OR STRIPS TYPE I	WP1A	37	45.75	50	2379	49	36	4177/1	81
	1376001472992	18.5	15.25	7.375		54	1.2	50	FB BOX	7548645	PBXN-6, RDX DESENSITIZED	WP1A	37	45.75	50	2019	49	36	4177/1	81
	1376004512881	16.25	9.75	28.375		154	2.6	0	M2		PROPELLANT, M1 SINGLE PERF GRAINS TYPE II FORM C	WP1	40.5	50.25	35.375	1982	41.7	12	4116/141	1
	1376004512881			27.625	16.375	121	4.3		FB DRUM		PROPELLANT, M1 SINGLE PERF GRAINS TYPE II FORM C	SWP	44.75	49.125	33.125	1052	42.2	8	4177/3	1
	1376004828465	18.5	15.25	7.375		54	1.2	50	FB BOX	7548645	PBXN-5, HMX DESENSITIZED TYPE I CLASS 1	WP1A	37	45.75	50	2019	49	36	4177/1	81
	1376005602206	18.5	15.25	7.375		64	1.2	60	FB BOX	7548645	OCTOL, HMX 75% TXT 25% BUDS OR STRIPS TYPE 1	WP1A	37	45.75	50	2379	49	36	4177/1	81
	1376006283300	19.8125	12	10.3125		71	1.4	0	WDN BOX		COMPOSITION A-3, CRYSTAL	WP1A	39	48	39.25	1775	42.5	24	4116/139A	1
	1376006283300	18.5	15.25	7.375		64	1.2	60	FB BOX	7548645	COMPOSITION A-3, RDX CRYSTALS DESENSITIZED	WP1A	37	45.75	50	2379	49	36	4177/1	81
	1376006283306	19.8125	12	10.3125		70	1.4	0	WDN BOX		COMPOSITION B, FLAKE	WP1A	39	48	39.25	1751	42.5	24	4116/139A	1
	1376006283306	18.5	15.25	7.375		64	1.2	60	FB BOX	7548645	COMPOSITION B, HEXOLITE FLAKE TYPE I GRADE A	WP1A	37	45.75	50	2379	49	36	4177/1	81
	1376006283319	19.8125	12	10.3125		71	1.4	0	WDN BOX		COMPOSITION C-4, GRANULAR	WP1A	39	48	39.25	1775	42.5	24	4116/139A	1
	1376006283319	18.5	15.25	7.375		64	1.2	60	FB BOX	7548645	COMPOSITION C-4, RDX DESENSITIZED GRANULAR CLASS 2	WP1A	37	45.75	50	2379	49	36	4177/1	81
	1376006283325	19.8125	12	10.3125		59	1.4	0	WDN BOX		EXPLOSIVE D, GRANULAR	WP1A	39	48	39.25	1487	42.5	24	4116/139A	1
	1376006942017	29.875	14.875	11.375		199	2.9	0	WDN BOX		POWDER, SMOKELESS PROPELLANT	SK10R2	44.625	29.875	39.875	1829	30.8	9	4138/125	2
	1376006942201	29.875	14.875	11.375		199	2.9	0	WDN BOX		POWDER, SMOKELESS PROPELLANT	SK10R2	44.625	29.875	39.875	1829	30.8	9	4138/125	2
	1376007648065	18.5	15.25	7.375		64	1.2	60	FB BOX	7548645	COMPOSITION A-5, GRANULAR CLASS 1	WP1A	37	45.75	50	2379	49	36	4177/1	81
	1376007648066	18.5	15.25	7.375		64	1.2	60	FB BOX	7548645	CYCLOTOL, 70% RDX/30% TNT TYPE II CLASS A	WP1A	37	45.75	50	2379	49	36	4177/1	81
	1376007648068			27.5	19.125	245	4.6		FB DRUM		HMX, (MIL-H-45444) (GRADE A CLASS 1)	SWP	38.25	57.5	33	1561	42	6	4177/4	105
	1376007877614	18.5	15.25	7.375		64	1.2	60	FB BOX	7548645	COMPOSITION CH-6, GRANULAR RDX DESENSITIZED	WP1A	37	45.75	50	2379	49	36	4177/1	81
	1376008653534			27.5	19.125	245	4.6		FB DRUM		HMX, (MIL-H-45444) (GRADE A CLASS 2)	SWP	38.25	57.5	33	1561	42	6	4177/4	105
	1376008653541			27.5	19.125	245	4.6		FB DRUM		HMX, (MIL-H-45444) (GRADE A CLASS 3)	SWP	38.25	57.5	33	1561	42	6	4177/4	105
	1376008653548			27.5	19.125	245	4.6		FB DRUM		HMX, (MIL-H-45444) (GRADE A CLASS 4)	SWP	38.25	57.5	33	1561	42	6	4177/4	105
	1376008653716			27.5	19.125	245	4.6		FB DRUM		HMX, (MIL-H-45444) (GRADE A CLASS 5)	SWP	38.25	57.5	33	1561	42	6	4177/4	105
	1376008653719			27.5	19.125	245	4.6		FB DRUM		HMX, (MIL-H-45444) (GRADE A CLASS 6)	SWP	38.25	57.5	33	1561	42	6	4177/4	105
	1376008653850			27.5	19.125	245	4.6	0	FB DRUM		HMX, MIL-H-45444 GRADE B CLASS 1	SWP	38.25	57.5	33	1561	42	6	4177/4	105
	1376008653964			27.5	19.125	165	4.6	0	FB DRUM		HMX, MIL-H-45444 GRADE B CLASS 2	SWP	38.25	57.5	33	1081	42	6	4177/4	105
	1376008654003			27.5	19.125	245	4.6	0	FB DRUM		HMX, MIL-H-45444 GRADE B CLASS 3	SWP	38.25	57.5	33	1561	42	6	4177/4	105
	1376008654172			27.5	19.125	245	4.6	0	FB DRUM		HMX, MIL-H-45444 GRADE B CLASS 4	SWP	38.25	57.5	33	1561	42	6	4177/4	105
	1376008654435			27.5	19.125	165	4.6	0	FB DRUM		HMX, MIL-H-45444 GRADE B CLASS 5	SWP	38.25	57.5	33	1081	42	6	4177/4	105
	1376008654519			27.5	19.125	245	4.6	0	FB DRUM		HMX, MIL-H-45444 GRADE B CLASS 6	SWP	38.25	57.5	33	1561	42	6	4177/4	105
	1376008887628	18.5	15.25	7.375		54	1.2	50	FB BOX	7548645	PBXN-3, PELLET HMX DESENSITIZED	WP1A	37	45.75	50	2019	49	36	4177/1	81
	1376009084216	18.5	15.25	7.375		64	1.2	60	FB BOX	7548645	HBX-1, GRADE B (MIL-E-22267) EXPLOSIVE TYPE D	WP1A	37	45.75	50	2379	49	36	4177/1	81
	1376010491454			27.625	16.375	161	4.3		FB DRUM		PROPELLANT, IMR-5010	SWP	44.75	49.125	33.125	1375	42.2	8	4177/3	1
	1376010541577			27.625	16.375	151	4.3		FB DRUM		PROPELLANT, M1 UNGLAZED	SWP	44.75	49.125	33.125	1292	42.2	8	4177/3	1
	1376010552783	9.75	16.25	28.38		154	2.6	110	MK7-3		76MM SPDN	WP1	42.25	48.75	33.875	2098	40.4	13	WR-53/724	1
	1376010552784	9.75	16.25	28.38		154	2.6	110	MK7-3		5/54 SPCF	WP1	42.25	48.75	33.875	2098	40.4	13	WR-53/724	1
	1376010553436			27.625	16.375	151	4.3		FB DRUM		PROPELLANT, M1 SINGLE PERF GRAINS TYPE II	SWP	44.75	49.125	33.125	1292	42.2	8	4177/3	

DODIC	NSN	PACK LEN	PACK WID	PACK HGT	PACK DIA	PACK WGT	PACK CUBE	RDS/ PACK	PACKAGE TYPE	PACKAGE DRAWING #	NOMENCLATURE	BASE TYPE	UNIT LOAD LEN	UNIT LOAD WID	UNIT LOAD HGT	UNIT LOAD WGT	UNIT LOAD CUBE	PKG/ UNIT LOAD	UNIT LOAD DRAWING	SECT. 2 INDEX #
1376010559905	19.8125	12	10.3125			71	1.4	0	WDN BOX		COMPOSITION A-4, CRYSTALS	WP1A	39	48	39.25	1775	42.5	24	4116/139A	1
1376010559905	18.5	15.25	7.375			64	1.2	60	FB BOX	7548645	COMPOSITION A-4, CRYSTALS RDX DESENSITIZED	WP1A	37	45.75	50	2379	49	36	4177/1	81
1376010664158	18.5	15.25	7.375			54	1.2	50	FB BOX	7548645	PBX-0280, TYPE III RDX/ESTANE EXPLOSIVE MOLDING POWDER	WP1A	37	45.75	50	2019	49	36	4177/1	81
1376010664159	18.5	15.25	7.375			54	1.2	50	FB BOX	7548645	PBXN-5, TYPE II CLASS 1 HMX DESENSITIZED	WP1A	37	45.75	50	2019	49	36	4177/1	81
1376010712164			27.5	19.125		245	4.6	0	FB DRUM		CYCLOTRIMETHYLENETRINITRAMINE, RDX	SWP	38.25	57.5	33	1561	42	6	4177/4	105
1376010740494	18.5	15.25	7.375			54	1.2	50	FB BOX	7548645	PBXN-5, TYPE II CLASS 3 HMX DESENSITIZED	WP1A	37	45.75	50	2019	49	36	4177/1	81
1376010749321	18.5	15.25	7.375			54	1.2	50	FB BOX	7548645	PBXN-5, TYPE I CLASS 3 HMX DESENSITIZED	WP1A	37	45.75	50	2019	49	36	4177/1	81
1376010751965	18.5	15.25	7.375			54	1.2	50	FB BOX	7548645	PBXN-5, TYPE I CLASS 2 HMX DESENSITIZED	WP1A	37	45.75	50	2019	49	36	4177/1	81
1376010763414	18.5	15.25	7.375			54	1.2	50	FB BOX	7548645	PBX-9502, GRANULAR	WP1A	37	45.75	50	2019	49	36	4177/1	81
1376010763415	18.5	15.25	7.375			54	1.2	50	FB BOX	7548645	PBX-9501, GRANULAR HMX DESENSITIZED	WP1A	37	45.75	50	2019	49	36	4177/1	81
1376010768649	18.5	15.25	7.375			54	1.2	50	FB BOX	7548645	PBX 9407, RDX DESENSITIZED	WP1A	37	45.75	50	2019	49	36	4177/1	81
1376010809332	18.5	15.25	7.375			64	1.2	60	FB BOX	7548645	COMPOSITION B, TYPE II GRADE A BUDS OR STRIPS	WP1A	37	45.75	50	2379	49	36	4177/1	81
1376010857243			27.625	16.375		151	4.3		FB DRUM		PROPELLANT, M2 MULTI-PERFORATED	SWP	44.75	49.125	33.125	1292	42.2	8	4177/3	1
1376010889690			27.5	19.125		245	4.6		FB DRUM		HMX, 80 GRANULAR WS-15431	SWP	38.25	57.5	33	1561	42	6	4177/4	105
1376010990224	18.5	15.25	7.375			64	1.2	60	FB BOX	7548645	COMPOSITION A-3, TYPE II GRANULAR RDX DESENSITIZED	WP1A	37	45.75	50	2379	49	36	4177/1	81
1376011200956	9.75	16.25	28.38			154	2.6	110	MK7-3		3/50 SPCG	WP1	42.25	48.75	33.875	2098	40.4	13	WR-53/724	1
1376011200957	9.75	16.25	28.38			154	2.6	110	MK7-3		3/50 SPD	WP1	42.25	48.75	33.875	2098	40.4	13	WR-53/724	1
1376011263602	9.75	16.25	28.38			154	2.6	110	MK7-3		5/38 SPCF	WP1	42.25	48.75	33.875	2098	40.4	13	WR-53/724	1
1376011265051	9.75	16.25	28.38			154	2.6	110	MK7-3		3/50 SPCG	WP1	42.25	48.75	33.875	2098	40.4	13	WR-53/724	1
1376011270728	9.75	16.25	28.38			154	2.6	110	MK7 BOX	138439	6/47 SPCG NCCD 54 FL	WP1	42.25	48.75	33.875	2098	40.4	13	WR 53/724	1
1376011275190	9.75	16.25	28.38			154	2.6	110	MK7-3		3/50 SPB IHPB 84 NFL	WP1	42.25	48.75	33.875	2098	40.4	13	WR 53-724	1
1376011275191	9.75	16.25	28.38			154	2.6	110	MK7-3		5/54 SPD IHBF 5 NFL	WP1	42.25	48.75	33.875	2098	40.4	13	WR 53-724	1
1376011275192	9.75	16.25	28.38			154	2.6	110	MK7-3		6/47 SPD IHCD 22 NFL	WP1	42.25	48.75	33.875	2098	40.4	13	WR 53-724	1
1376011275193	9.75	16.25	28.38			154	2.6	110	MK7-3		16/45 SPD IH18 15 NFL	WP1	42.25	48.75	33.875	2098	40.4	13	WR 53-724	1
1376011275194	9.75	16.25	28.38			154	2.6	110	MK7-3		16/50 SPD IHIC 1 NFL	WP1	42.25	48.75	33.875	2098	40.4	13	WR 53-724	1
1376011279539	9.75	16.25	28.38			154	2.6	110	MK7-3		3/50 SPDB NOSB-418	WP1	42.25	48.75	33.875	2098	40.4	13	WR 53-724	1
1376011279541	9.75	16.25	28.38			154	2.6	110	MK7-3		5/54 SPDF IHBF 22 FL	WP1	42.25	48.75	33.875	2098	40.4	13	WR 53-724	1
1376011279542	9.75	16.25	28.38			154	2.6	110	MK7-3		6/47 CAL SPDF IHCD 35 FL	WP1	42.25	48.75	33.875	2098	40.4	13	WR 53-724	1
1376011294679	9.75	16.25	28.38			154	2.6	110	MK7-3		PROPELLANT, BULK SOLID M6	WP1	42.25	48.75	33.875	2098	40.4	13	WR 53-724	1
1376011294680	9.75	16.25	28.38			154	2.6	110	MK7-3		PROPELLANT, BULK SOLID M6	WP1	42.25	48.75	33.875	2098	40.4	13	WR 53-724	1
1376011294681	9.75	16.25	28.38			154	2.6	110	MK7-3		PROPELLANT, BULK SOLID M6	WP1	42.25	48.75	33.875	2098	40.4	13	WR 53-724	1
1376011294682	9.75	16.25	28.38			154	2.6	110	MK7-3		20MM SPDN CAZA S294R NFL	WP1	42.25	48.75	33.875	2098	40.4	13	WR 53-724	1
1376011294683	9.75	16.25	28.38			154	2.6	110	MK7-3		40MM SPDN ADU 2347 NFL	WP1	42.25	48.75	33.875	2098	40.4	13	WR 53-724	1
1376011298055	9.75	16.25	28.38			154	2.6	110	MK7-3		8/55 SPD IHDD 20 NFL	WP1	42.25	48.75	33.875	2098	40.4	13	WR 53-724	1
1376011298056	9.75	16.25	28.38			154	2.6	110	MK7-3		6/47 SPDB NPFB 229 FNA	WP1	42.25	48.75	33.875	2098	40.4	13	WR 53-724	1
1376011298058	9.75	16.25	28.38			154	2.6	110	MK7-3		16/45 SPDW 1H1 71 NFL	WP1	42.25	48.75	33.875	2098	40.4	13	WR 53-724	1
1376011298059	9.75	16.25	28.38			154	2.6	110	MK7-3		5/38 SPWF IHBE 170 FL	WP1	42.25	48.75	33.875	2098	40.4	13	WR 53-724	1
1376011301975	9.75	16.25	28.38			154	2.6	110	MK7-3		8/00 SPDF IHGD 10 FL PRF	WP1	42.25	48.75	33.875	2098	40.4	13	WR 53-724	1
1376011301976	9.75	16.25	28.38			154	2.6	110	MK7-3		8/55 SPDE IHDE 5 NFL	WP1	42.25	48.75	33.875	2098	40.4	13	WR 53-724	1
1376011321710	9.75	16.25	28.38			154	2.6	110	MK7-3		5/38 SPDW IHBE 47 NFL	WP1	42.25	48.75	33.875	2098	40.4	13	WR 53-724	1
1376011321711	9.75	16.25	28.38			154	2.6	110	MK7-3		3/50 CAL SPDF IHPB 103 FL	WP1	42.25	48.75	33.875	2098	40.4	13	WR 53-724	1
1376011321712	9.75	16.25	28.38			154	2.6	110	MK7-3		5/38 SPDF IHBE 126 FL	WP1	42.25	48.75	33.875	2098	40.4	13	WR 53-724	1
1376011327304	9.75	16.25	28.38			154	2.6	110	MK7-3		5/54 SPDW IHBF 65R NFL	WP1	42.25	48.75	33.875	2098	40.4	13	WR 53-724	1
1376011329160	9.75	16.25	28.38			154	2.6	110	MK7-3		5/54 SPCF BOBF-68965 FNA	WP1	42.25	48.75	33.875	2098	40.4	13	WR 53-724	1
1376011340373			27.5	19.125		245	4.6	0	FB DRUM		HMX, PRESCREENED WS-15431	SWP	38.25	57.5	33	1561	42	6	4177/4	105
1376011400872	17.04				14.5	54	1.6	50	FB DRUM		NITROGUANIDINE/CRYSTALLINE HBNQ	WP1	45.375	48.375	41	1122	52.1	18	WR 53-827	1
1376011420541	9.75	16.25	28.38			154	2.6	110	MK7-3		PROPELLANT, 8/55 SPCF RHDE 68775 FNA	WP1	42.25	48.75	33.875	2098	40.4	13	WR 53-724	1
1376011484978	18.5	15.25	7.375			54	1.2	50	FB BOX	7548645	LX-17-0, EXPLOSIVE MOLDING POWDER	WP1A	37	45.75	50	2019	49	36	4177/1	81
1376011538408	18.5	15.25	7.375			54	1.2	50	FB BOX	7548645	LX-14-0, HMX 95% ESTANE 5% DESENSITIZED	WP1A	37	45.75	50	2019	49	36	4177/1	81
1376012021854	18.5	15.25	7.375			54	1.2	50	FB BOX	7548645	CXM-3, GRANULAR COATED RDX DESENSITIZED	WP1A	37	45.75	50	2019	49	36	4177/1	81
1376012080704	18.5	15.25	7.375			54	1.2	50	FB BOX	7548645	LX-17-1, GRANULAR	WP1A	37	45.75	50	2019	49	36	4177/1	81
1376012135669	35.375	19.875	10.75			165	4.4	0	WDN BOX		PROPELLANT, STICK M31A1E	WP1	40	53.75	40.875	1738	50.9	10	4116/142	1
1376012163087	18.5	15.25	7.375			54	1.2	50	FB BOX	7548645	CXM-6, RDX DESENSITIZED	WP1A	37	45.75	50	2019	49	36	4177/1	81
1376012428847	9.75	16.25	28.38			154	2.6	1	MK7 BOX		PROPELLANT, M6+2 FOR 5 INCH 54 CAL PROPELLING CHARGE	WP1	42.25	48.75	33.875	2098	40.4	13	WR 53-724	1
1376012625397			27.5	19.125		245	4.6	0	FB DRUM		HMX, 80 SCREENED WS-18394A	SWP	38.25	57.5	33	1561	42	6	4177/4	105
1376012805339	18.5	15.25	7.375			54	1.2	50	FB BOX	7548645	CXM-7, RDX DESENSITIZED	WP1A	37	45.75	50	2019	49	36	4177/1	81
1376012911109	18.5	15.25	7.375			64	1.2	60	FB BOX	7548645	OCTOL, 70/30 TYPE II AT-4	WP1A	37	45.75	50	2379	49	36	4177/1	81
1376013763743	18.5	15.25	7.375			54	1.2	50	FB BOX	7548645	PBXN-9, HMX DESENSITIZED	WP1A	37	45.75	50	2019	49	36	4177/1	81
1376013765576	18.5	15.25	7.375			54	1.2	50	FB BOX	7548645	PBXN-7, GRANULAR BLASTING EXPLOSIVE TYPE D	WP1A	37	45.75	50	2019	49	36	4177/1	81
1376013930258	18.5	15.25	7.375			64	1.2	60	FB BOX	7548645	COMPOSITION C-4, CLASS 2 TAGGED RDX DESENSITIZED	WP1A	37	45.75	50	2379	49	36	4177/1	81
1376013930259	18.5	15.25	7.375			64	1.2	60	FB BOX	7548645	COMPOSITION C-4, CLASS 3 TAGGED RDX DESENSITIZED	WP1A	37	45.75	50	2379	49	36	4177/1	81
1376013930260	18.5	15.25	7.375			64	1.2	60	FB BOX	7548645	COMPOSITION C-4, CLASS 1 TAGGED RDX DESENSITIZED	WP1A	37	45.75	50	2379	49	36	4177/1	81
1376015405747	18.5	15.25	7.375			64	1.2	60	FB BOX	7548645	PAX-3, EXPLOSIVE POWDER BLASTING TYPE									

DODIC	NSN	PACK LEN	PACK WID	PACK HGT	PACK DIA	PACK WGT	PACK CUBE	RDS/ PACK	PACKAGE TYPE	PACKAGE DRAWING #	NOMENCLATURE	BASE TYPE	UNIT LOAD LEN	UNIT LOAD WID	UNIT LOAD HGT	UNIT LOAD WGT	UNIT LOAD CUBE	PKG/ UNIT LOAD	UNIT LOAD DRAWING	SECT. 2 INDEX #
	1376016328663	18.5	15.25	7.375		54	1.2	50	FB BOX	7548645	CXM-AF-5, DOA COATED RDX	WP1A	37	45.75	50	2019	49	36 4177/1	81	
	1376016892016	18.5	15.25	7.375		50	1.2	50	FB BOX	7548645	PAX-3, TYPE I	WP1A	37	45.75	50	2199	49	36 4177/1	81	
	1376016894048	18.5	15.25	7.375		50	1.2	50	FB BOX	7548645	PAX-3, TYPE II	WP1A	37	45.75	50	2199	49	36 4177/1	81	
	1376016894692	18.5	15.25	7.375		50	1.2	50	FB BOX	7548645	PAX-3, TYPE III	WP1A	37	45.75	50	2199	49	36 4177/1	81	
	1390000693072	18.5	7.875	8.625		58	0.7	300	WDN BOX		PLUNGER ASSEMBLY, DELAY	WP1A	37	47.25	40	2875	40.5	48 4116/161	1	
	1390010508887	22.125	11.25	9		66	1.3	100	FB BOX		FUZE, PD M567	WPBPBX	45	45.75	43	2256	51.2	32 4169/156	4	
	1390010508887	22.125	11.25	9		66	1.3	100	FB BOX		FUZE, PD M567	FBPBX	35	45.5	52.5	2096	48.4	30 4169/156	4	
	1390010545138	14.625	12.8125	8.5625		55	0.9	16	WBD BOX	12960853	FUZE, PROXIMITY M732	WP1	43.875	51.25	31.25	2069	40.7	36 4116/156	1	
	1390012477963	19.0625	12.25	8.375		44	1.1	24	WBD BOX		FUZE, MTSQ M582A1	WP1	40.375	49	39	1520	44.7	32 4116/157C	1	
	1390013418659	14.625	12.8125	8.5625		40	0.9	16	WBD BOX	8861213	FUZE, ELECTRONIC TIME M767	WP1	43.875	51.25	31.25	1529	40.7	36 4116/156S	1	
	1390014362779	14.625	12.8125	8.5625		39	0.9	16	WBD BOX	12960853	FUZE, MOFA PRACTICE M773	WP1	43.875	51.25	31.25	1493	40.7	36 4116/156	1	
	1410012799966								MK607	DL26445309	MISSILE BODY, TACTICAL GM-84D-1 HARPOON		168	38	32.625	3389	120.5	2 OR-68/103	145	
	1410012799967								MK607	DL26445309	MISSILE BODY, EXERCISE TM-84D-1 HARPOON		168	38	32.625	3389	120.5	2 OR-68/103	145	
	1410012799968								MK607	DL26445309	MISSILE BODY, TACTICAL GM-84D-1A HARPOON		168	38	32.625	3389	120.5	2 OR-68/103	145	
	1410012799969								MK607	DL26445309	MISSILE BODY, EXERCISE TM-84D-1B HARPOON		168	38	32.625	3389	120.5	2 OR-68/103	145	
	1410012799971								MK607	DL26445309	MISSILE BODY, TACTICAL GM-84D-1A HARPOON		168	38	32.625	3389	120.5	2 OR-68/103	145	
	1410012799973								MK607	DL26445309	MISSILE BODY, TACTICAL GM-84D-1 HARPOON		168	38	32.625	3389	120.5	2 OR-68/103	145	
	1410013638796								MK724-0	OR-68/148	MISSILE BODY, AIR TACTICAL GM-84E-1 SLAM		186	37.625	30.25	3800	122.5	2 OR-68/148	183	
	1410013638797								MK724-0	OR-68/148	GUIDED MISSILE, AIR TACTICAL AGM-84E-1 SLAM		186	37.625	30.25	3800	122.5	2 OR-68/148	183	
	1410013642227								MK724-0	OR-68/148	MISSILE BODY, AIR EXERCISE TM-84E-1 SLAM		186	37.625	30.25	3800	122.5	2 OR-68/148	183	
	1410013955989								MK724-1	OR-68/168	MISSILE BODY, INERT TM-84E-1D SLAM		186	37.625	30.25	3800	122.5	2 OR-68/168	183	
	1420012856729								MK630	DL5165987	CAPSULE ASSEMBLY, HARPOON		271.875	44	39.25	2112	271.7	1 OR-68/54	152	
	1427014811620								GMLA		GM & LAUNCH ASSEMBLY, TACMS 2K		166	41.5	33.75	4985	134.6	1	123	
	2540015234520	20.25	5.6875	17.5		75	1.2	1	FB BOX	13005866-2	ARMOR TILE, STRYKER UPPER GLACIS LARGE (BOTTOM) MODULE M26	PB	39.75	42.5	19.125	685	18.7	2 4221/15	32	
	2540015234520	23.3125	18.6875	7.5		94	1.9	1	WDN BOX	13005869-5	ARMOR TILE, STRYKER UPPER GLACIS LARGE (BOTTOM) MODULE M26 SPARE PARTS	WP1A	37.375	47.125	43	1966	43.8	20 4221/19	1	
	2540015234528	20.25	5.6875	17.5		75	1.2	1	FB BOX	13005866-2	ARMOR TILE, STRYKER UPPER GLACIS LARGE (TOP) MODULE M25	PB	39.75	42.5	19.125	685	18.7	2 4221/15	32	
	2540015234528	23.3125	18.6875	7.5		94	1.9	1	WDN BOX	13005869-5	ARMOR TILE, STRYKER UPPER GLACIS L-BOX (TOP) MODULE M20 SPARE PARTS	WP1A	37.375	47.125	43	1966	43.8	20 4221/19	1	
	2540015234529	14.625	5.6875	17.5		60	0.8	1	FB BOX	13005866-3	ARMOR TILE, STRYKER UPPER GLACIS SMALL (BOTTOM) MODULE M28	PB	39.75	42.5	19.125	685	18.7	1 4221/15	32	
	2540015234529	23.3125	18.6875	7.5		94	1.9	1	WDN BOX	13005869-5	ARMOR TILE, STRYKER UPPER GLACIS LARGE (TOP) MODULE M25 SPARE PARTS	WP1A	37.375	47.125	43	1966	43.8	20 4221/19	1	
	2540015234530	14.625	5.6875	17.5		60	0.8	1	FB BOX	13005866-3	ARMOR TILE, STRYKER UPPER GLACIS SMALL (TOP) MODULE M27	PB	39.75	42.5	19.125	685	18.7	1 4221/15	32	
	2540015234530	23.3125	18.6875	7.5		94	1.9	1	WDN BOX	13005869-5	ARMOR TILE, STRYKER UPPER GLACIS L-BOX (BOTTOM) MODULE M21 SPARE PARTS	WP1A	37.375	47.125	43	1966	43.8	20 4221/19	1	
	2540015234532	20.25	5.6875	17.5		75	1.2	1	FB BOX	13005866-2	ARMOR TILE, STRYKER UPPER GLACIS L-BOX (BOTTOM) MODULE M21	PB	39.75	42.5	19.125	685	18.7	1 4221/15	32	
	2540015234532	20.3125	15.1875	7.5		79	1.3	1	WDN BOX	13005869-6	ARMOR TILE, STRYKER UPPER GLACIS SMALL BOX TOP MODULE M27 SPARE PARTS	WP1	40.625	48.625	43	2504	49.2	30 4221/20	1	
	2540015234533	20.25	5.6875	17.5		75	1.2	1	FB BOX	13005866-2	ARMOR TILE, STRYKER UPPER GLACIS L-BOX (TOP) MODULE M20	PB	39.75	42.5	19.125	685	18.7	1 4221/15	32	
	2540015234533	20.3125	15.1875	7.5		79	1.3	1	WDN BOX	13005869-6	ARMOR TILE, STRYKER UPPER GLACIS SMALL BOX BOTTOM MODULE M28 SPARE PARTS	WP1	40.65	48.625	43	2504	49.2	30 4221/20	1	
	4240012580061	26.125	25.875	19.5		79	7.6	8	PLY BOX		MASK, CHEMICAL-BIOLOGICAL PROTECTIVE	WP1A	39	51.75	31.625	386	36.9	4 4116/172	1	
	4240012580062	26.125	25.875	19.5		79	7.6	8	PLY BOX		MASK, CHEMICAL-BIOLOGICAL PROTECTIVE	WP1A	39	51.75	31.625	386	36.9	4 4116/172	1	
	4240012580063	26.125	25.875	19.5		79	7.6	8	PLY BOX		MASK, CHEMICAL-BIOLOGICAL PROTECTIVE	WP1A	39	51.75	31.625	386	36.9	4 4116/172	1	
	4240012580064	26.125	25.875	19.5		79	7.6	8	PLY BOX		MASK, CHEMICAL-BIOLOGICAL PROTECTIVE	WP1A	39	51.75	31.625	386	36.9	4 4116/172	1	
	4240012580065	26.125	25.875	19.5		79	7.6	8	PLY BOX		MASK, CHEMICAL-BIOLOGICAL PROTECTIVE	WP1A	39	51.75	31.625	386	36.9	4 4116/172	1	
	4240012580066	26.125	25.875	19.5		79	7.6	8	PLY BOX		MASK, CHEMICAL-BIOLOGICAL PROTECTIVE	WP1A	39	51.75	31.625	386	36.9	4 4116/172	1	
	5820015607409	25.25	19.25	18.5		58	5.2	1	PLAS BX	ZRC22161205A10D	REPEATER, RADIO	WP1	40.75	50.5	42.25	573	50.3	8 4116/92A	1	
	5999015682058	25.25	19.25	18.5		47	5.2	1	PLAS BX	ZRC22161205A10D	ACCESSORY KIT, ELECTRONIC EQUIPMENT	WP1	40.75	50.5	42.25	485	50.3	8 4116/92A	1	
	5999016596094	25.25	19.25	18.5		38	5.2	1	PLAS BX	ZRC22161205A10D	ACCESSORY KIT, RCS SUPPORT	WP1	40.75	50.5	42.25	413	50.3	8 4116/92A	1	
	6665008592215	13.9375	9.125	6.875		13	0.6	1	WDN BOX		ALARM UNIT, CHEMICAL AGENT AUTOMATIC M42	WP1	41.8125	48.125	42	1185	48.9	84 4116/171B	1	
	6665008592215	13.1875	9.875	5.875		13	0.5	1	WDN BOX		ALARM UNIT, CHEMICAL AGENT AUTOMATIC M42	WP1	41.125	52.75	45	1548	56.5	112 4116/171B	1	
	6665008592215	12.8125	8.25	6		13	0.4	1	WBD BOX		ALARM UNIT, CHEMICAL AGENT AUTOMATIC M42	WP1	41.25	51.25	47.5	1913	58.1	140 4116/171B	1	
	6665010818140	13.25	10.5	14.5		10	1.2	1	WDN BOX		DETECTOR UNIT, CHEMICAL AGENT AUTOMATIC M43A1	WP1B	43.5	53	47.5	570	63.4	48 4116/171A	1	
	6665010818140	12.5	11.25	13.75		10	1.2	1	WDN BOX		DETECTOR UNIT, CHEMICAL AGENT AUTOMATIC M43A1	WP1	41.25	50	50.5	571	60.3	48 4116/171A	1	
	6665011055623	18.75	10.625	14.625		21	1.7	1	WDN BOX		ALARM, CHEMICAL AGENT AUTOMATIC PORTABLE M8A1	WP1	43.875	53.125	43	721	58	30 4116/171	1	
	6665011055623	18	11.375	13.875		21	1.6	1	WDN BOX		ALARM, CHEMICAL AGENT AUTOMATIC PORTABLE M8A1	WP1	41.625	54	51	845	66.4	36 4116/171	1	
	6665011055623	17.75	9.875	14		21	1.4	1	WBD BOX		ALARM, CHEMICAL AGENT AUTOMATIC PORTABLE M8A1	WP1	42	53.25	45	845	58.3	36 4116/171	1	
	6665011200610	13.25	10.5	14.5		10	1.2	1	WDN BOX		DETECTOR UNIT, CHEMICAL AGENT AUTOMATIC M43A1	WP1	43.5	53	47.5	570	63.4	48 4116/171A	1	
	6665011200610	12.5	11.25	13.75		10	1.2	1	WDN BOX		DETECTOR UNIT, CHEMICAL AGENT AUTOMATIC M43A1	WP1B	41.25	50	50.5	571	60.3	48 4116/171A	1	
	6850007534827	20	15	8.25		49	1.4	12	WBD BOX		AGENT, DECONTAMINATING DS2	WP1	40	48	46.75	1608	51.9	30 4116/162	1	
	6850007534870			13.5	11.375	46	1	1	PAIL		AGENT, DECONTAMINATING DS2	WP1A	35.625	47	34.75	1256	33.7	24 4116/162A	1	
	6910015628085	9.125	13.375	14.5625		43	1	8	WBD BOX	13010273	TRAINING KIT, SLAM M320A1	WP1B	45.625	53.5	49.25	2684	69.6	60 4116/95T	1	
	6920011107680	25.25	15.5	12.75		45	2.9	4	WDN BOX		LAUNCHER, PROJECTILE AIRBORNE LIQUID M267	WP1	46.5	50.5	43.75	896	59.5</			

DODIC	NSN	PACK LEN	PACK WID	PACK HGT	PACK DIA	PACK WGT	PACK CUBE	RDS/ PACK	PACKAGE TYPE	PACKAGE DRAWING #	NOMENCLATURE	BASE TYPE	UNIT LOAD LEN	UNIT LOAD WID	UNIT LOAD HGT	UNIT LOAD WGT	UNIT LOAD CUBE	PKG/ UNIT LOAD	UNIT LOAD DRAWING	SECT. 2 INDEX #
	6920015607248	18.5938	8.2969	14.5938		32	1.3	12	M548	7258943	LAUNCHER AND GRENADE TRAINER, MINIATURE GRENADE TRAINING SIMULATOR (MGTS) - SPIDER	WP1	40.5	49.75	34.5	906	40	24	4116/92	1
	6920015655599			18.5	11.5	31	1.42	2	STL PAIL	28073001-001	MUNITION CONTROL UNIT TRAINER (MCAT), XM96	WP1	40.25	48.25	42.625	963	47.9	24	4116/92B	1
	6920016097722			11.125	11.8125	17	0.89	1	STL PAIL	13042768	TRAINER CONTROL UNIT, MUNITION (MCUT) KIT	WP1	40.25	49.5	38.625	818	44.5	36	4116/92C	1
	7025015607203	25.25	19.25	18.5		58	5.2	1	PLAS BX	ZRC22161205A10D	DATA STATION, REMOTE CONTROL STATION KIT	WP1	40.75	50.5	42.25	573	50.3	8	4116/92A	1
	7025016596089	25.25	19.25	18.5		51	5.2	1	PLAS BX	ZRC22161205A10D	REMOTE CONTROL STATION KIT	WP1	40.75	50.5	42.25	517	50.3	8	4116/92A	1
	8140009601699	24.3125	18.875	15.25		62	4	12	FB BOX		METAL BOX, M2A1 EMPTY	WP1A	37.75	48.625	51.25	814	54.4	12	4116/170	1
	8140011219853	13.75	5.625	14.375		11	0.6	0	M621		CONTAINER, M621 EMPTY	WP1	44	56.75	46	1033	66.5	84	4116/175	1
	8140011219853	13.75	5.625	14.375		12	0.6	0	M621		CONTAINER, M621 EMPTY	WP1	44	56.75	46	1117	66.5	84	4116/175	1
1W66	1410012162373								MK694		BLAST TEST VEHICLE, F/HARPOON RTM-84D-5D		217	41	42.5	5778	218.8	1	OR-4/339	153
2070	1410011580597								MK13	5166903	GM, STANDARD MR, RIM-66E-3, TACT		202.5	28	29	2047	97.4	1		169
2071	1410012042442								MK13	5166903	GM, STANDARD MR RIM-66E-3 BLK 6 PRAC		202.5	28	29	2347	97.4	1		169
2072	1410011580598								MK13	5166903	GM, STANDARD MR, RIM-66E-3, W/UHF DTLM		202.5	28	29	2047	97.4	1		169
2076	1410011580600								MK13	5166903	GM, STANDARD MR, RIM-66E-4, W/UHF DTLM		202.5	28	29	2047	97.4	1		169
2078	1410012042444								MK13	5166903	GM, STANDARD MR RIM-66E-5 BLK 6A TACT		202.5	28	29	2047	97.4	1		169
2079	1410012042445								MK13	5166903	GM, STANDARD MR RIM-66E-5 BLK 6A PRAC		202.5	28	29	2347	97.4	1		169
2080	1410012042446								MK13	5166903	GM, STANDARD MR RIM-66E-5E, BLK 6A, W/UHF DTLM		202.5	28	29	2347	97.4	1		169
3W05	1420012415748								MK630	DL5165987	CAPSULE ASSEMBLY, A/W99 ENCAP W/FIRING KIT F/HARPOON		271.875	44	39.25	2110	271.7	1	OR-68/54	152
3W26	1410012419428								MK632		GUIDED MISSILE, TACTICAL CAP/CAN BGM-84A-1 HARPOON		193.5	28	28.5	2210	89.4	1	OR-4/239	151
3W26	1410012419429								MK632		GUIDED MISSILE, TACTICAL CAP/CAN BGM-84A-1 HARPOON		193.5	28	28.5	2210	89.4	1	OR-4/239	151
3W26	1410012419430								MK632		GUIDED MISSILE, TACTICAL CAP/CAN BGM-84A-1 HARPOON		193.5	28	28.5	2210	89.4	1	OR-4/239	151
3W26	1410012419433								MK632		GUIDED MISSILE, TACTICAL CAP/CAN BGM-84A-1 HARPOON		193.5	28	28.5	2210	89.4	1	OR-4/239	151
3W27	1410012419435								MK632		GUIDED MISSILE, TACTICAL CAP/CAN BGM-84C-1 HARPOON		193.5	28	28.5	2210	89.4	1	OR-4/239	151
3W27	1410012419436								MK632		GUIDED MISSILE, TACTICAL CAP/CAN BGM-84C-1 HARPOON		193.5	28	28.5	2210	89.4	1	OR-4/239	151
3W28	1410012419437								MK632		GUIDED MISSILE, TACTICAL CAP/CAN BGM-84D-1 HARPOON		193.5	28	28.5	2210	89.4	1	OR-4/239	151
3W28	1410012419438								MK632		GUIDED MISSILE, TACTICAL CAP/CAN BGM-84D-1 HARPOON		193.5	28	28.5	2210	89.4	1	OR-4/239	151
3W28	1410012438838								MK632		GUIDED MISSILE, TACTICAL CAP/CAN BGM-84D-1 HARPOON		193.5	28	28.5	2210	89.4	1	OR-4/239	151
3W28	1410012438839								MK632		GUIDED MISSILE, TACTICAL CAP/CAN BGM-84D-1 HARPOON		193.5	28	28.5	2210	89.4	1	OR-4/239	151
3W29	1410012419431								MK632		GUIDED MISSILE, TACTICAL CAP/CAN BGM-84A-1 HARPOON		193.5	28	28.5	2210	89.4	1	OR-4/239	151
3W29	1410012419432								MK632		GUIDED MISSILE, TACTICAL CAP/CAN BGM-84A-1 HARPOON		193.5	28	28.5	2210	89.4	1	OR-4/239	151
3W30	1410012419434								MK632		GUIDED MISSILE, TACTICAL CAP/CAN BGM-84C-1 HARPOON		193.5	28	28.5	2210	89.4	1	OR-4/239	151
3W30	1410012438837								MK632		GUIDED MISSILE, TACTICAL CAP/CAN BGM-84C-1 HARPOON		193.5	28	28.5	2210	89.4	1	OR-4/239	151
3W31	1410012419439								MK632		GUIDED MISSILE, TACTICAL CAP/CAN BGM-84D-1 HARPOON		193.5	28	28.5	2210	89.4	1	OR-4/239	151
3W31	1410012419440								MK632		GUIDED MISSILE, TACTICAL CAP/CAN BGM-84D-1 HARPOON		193.5	28	28.5	2210	89.4	1	OR-4/239	151
3W36	1410013380106								MK724-0	OR-68/148	MISSILE BODY, AIR SLAM XTM-84E-1B(GRAY)		186	37.625	30.25	3800	122.5	2	OR-68/148	183
3W42	1410012424647								MK632		GUIDED MISSILE, EXERCISE CAP/CAN BTM-84A-1 HARPOON		193.5	28	28.5	2210	89.4	1	OR-4/239	151
3W42	1410012424649								MK632		GUIDED MISSILE, EXERCISE CAP/CAN BTM-84A-1 HARPOON		193.5	28	28.5	2210	89.4	1	OR-4/239	151
3W42	1410012424651								MK632		GUIDED MISSILE, EXERCISE CAP/CAN BTM-84A-1 HARPOON		193.5	28	28.5	2210	89.4	1	OR-4/239	151
3W42	1410012424652								MK632		GUIDED MISSILE, EXERCISE CAP/CAN BTM-84A-1 HARPOON		193.5	28	28.5	2210	89.4	1	OR-4/239	151
3W43	1410012424648								MK632		GUIDED MISSILE, EXERCISE CAP/CAN BTM-84A-1 HARPOON		193.5	28	28.5	2210	89.4	1	OR-4/239	151
3W43	1410012424650								MK632		GUIDED MISSILE, EXERCISE CAP/CAN BTM-84A-1 HARPOON		193.5	28	28.5	2210	89.4	1	OR-4/239	151
3W44	1410012424653								MK632		GUIDED MISSILE, EXERCISE CAP/CAN BTM-84C-1 HARPOON		193.5	28	28.5	2210	89.4	1	OR-4/239	151
3W44	1410012424654								MK632		GUIDED MISSILE, EXERCISE CAP/CAN BTM-84C-1 HARPOON		193.5	28	28.5	2210	89.4	1	OR-4/239	151
3W45	1410012424657								MK632		GUIDED MISSILE, EXERCISE CAP/CAN BTM-84D-1 HARPOON		193.5	28	28.5	2210	89.4	1	OR-4/239	151
3W45	1410012424658								MK632		GUIDED MISSILE, EXERCISE CAP/CAN BTM-84D-1 HARPOON		193.5	28	28.5	2210	89.4	1	OR-4/239	151
3W48	1410012424655								MK632		GUIDED MISSILE, EXERCISE CAP/CAN BTM-84C-1 HARPOON		193.5	28	28.5	2210	89.4	1	OR-4/239	151
3W48	1410012424656								MK632		GUIDED MISSILE, EXERCISE CAP/CAN BTM-84C-1 HARPOON		193.5	28	28.5	2210	89.4	1	OR-4/239	151
3W52	1410012424659								MK632		GUIDED MISSILE, EXERCISE CAP/CAN BTM-84D-1 HARPOON		193.5	28	28.5	2210	89.4	1	OR-4/239	151
3W52	1410012424660								MK632		GUIDED MISSILE, EXERCISE CAP/CAN BTM-84D-1 HARPOON		193.5	28	28.5	2210	89.4	1	OR-4/239	151
3W52	1410012424661								MK632		GUIDED MISSILE, EXERCISE CAP/CAN BTM-84D-1 HARPOON		193.5	28	28.5	2210	89.4	1	OR-4/239	151
3W52	1410012424662								MK632		GUIDED MISSILE, EXERCISE CAP/CAN BTM-84D-1 HARPOON		193.5	28	28.5	2210	89.4	1	OR-4/239	151
3W98	1410012556335								MK607	DL26445309	MISSILE BODY, EXERCISE TM-84D-1B HARPOON		168	38	32.625	3199	120.5	2	OR-68/103	145
3W98	1410012580274								MK607	DL26445309	MISSILE BODY, EXERCISE TM-84D-1 HARPOON		168	38	32.625	3490	120.5	2	OR-68/103	145
3W98	1410012580275								MK607	DL26445309	MISSILE BODY, EXERCISE TM-84D-1 HARPOON		168	38	32.625	3490	120.5	2	OR-68/103	145
3W98	1410012580276								MK607	DL26445309	MISSILE BODY, EXERCISE TM-84D-1 HARPOON		168	38	32.625	3490	120.5	2	OR-68/103	145
3W99	1410012580287								MK607	DL26445309	MISSILE BODY, EXERCISE TM-84D-1 HARPOON		168	38	32.625	3490	120.5	2	OR-68/103	145
3W99	1410012580288								MK607	DL26445309	MISSILE BODY, EXERCISE TM-84D-1 HARPOON		168	38	32.625	3490	120.5	2	OR-68/103	145
3W99	1410012580289								MK607	DL26445309	MISSILE BODY, EXERCISE TM-84D-1 HARPOON		168	38	32.625	3490	120.5	2	OR-68/103	145
3W99	1410012605336								MK607	DL26445309	MISSILE BODY, TACTICAL GM-84D-1A HARPOON		168	38	32.625	3490	120.5	2	OR-68/103	145
4W09	1410012574924								MK607	DL26445309	MISSILE BODY, EXERCISE TM-84D-1B HARPOON		168	38	32.625	3389	120.5	2	OR-68/103	145
4W09	1410012574925								MK607	DL26445309	MISSILE BODY, EXERCISE TM-84D-1B HARPOON		168	38	32.625	3389	120.5	2	OR-68/103	145
4W09	1410012574926								MK607	DL26445309										

DODIC	NSN	PACK LEN	PACK WID	PACK HGT	PACK DIA	PACK WGT	PACK CUBE	RDS/ PACK	PACKAGE TYPE	PACKAGE DRAWING #	NOMENCLATURE	BASE TYPE	UNIT LOAD LEN	UNIT LOAD WID	UNIT LOAD HGT	UNIT LOAD WGT	UNIT LOAD CUBE	PKG/ UNIT LOAD	UNIT LOAD DRAWING	SECT. 2 INDEX #
4W10	1410012584797								MK607	DL26445309	MISSILE BODY, TACTICAL GM-84D-1 HARPOON		168	38	32.625	3389	120.5	2	OR-68/103	145
4W10	1410012584798								MK607	DL26445309	MISSILE BODY, TACTICAL GM-84D-1A HARPOON		168	38	32.625	3389	120.5	2	OR-68/103	145
4W12	1410012590522								MK607	DL26445309	MISSILE BODY, TACTICAL GM-84A-1 HARPOON		168	38	32.625	3490	120.5	2	OR-68/103	145
4W12	1410012590523								MK607	DL26445309	MISSILE BODY, TACTICAL GM-84A-1 HARPOON		168	38	32.625	3490	120.5	2	OR-68/103	145
4W12	1410012590524								MK607	DL26445309	MISSILE BODY, TACTICAL GM-84A-1B HARPOON		168	38	32.625	3490	120.5	2	OR-68/103	145
4W12	1410012590525								MK607	DL26445309	MISSILE BODY, TACTICAL GM-84A-1 HARPOON		168	38	32.625	3490	120.5	2	OR-68/103	145
4W12	1410012590526								MK607	DL26445309	MISSILE BODY, TACTICAL GM-84A-1A HARPOON		168	38	32.625	3490	120.5	2	OR-68/103	145
4W12	1410012590527								MK607	DL26445309	MISSILE BODY, TACTICAL GM-84A-1 HARPOON		168	38	32.625	3490	120.5	2	OR-68/103	145
4W13	1410012590528								MK607	DL26445309	MISSILE BODY, TACTICAL GM-84D-1 HARPOON		168	38	32.625	3490	120.5	2	OR-68/103	145
4W13	1410012590529								MK607	DL26445309	MISSILE BODY, TACTICAL GM-84D-1 HARPOON		168	38	32.625	3490	120.5	2	OR-68/103	145
4W13	1410012590530								MK607	DL26445309	MISSILE BODY, TACTICAL GM-84D-1 HARPOON		168	38	32.625	3490	120.5	2	OR-68/103	145
4W13	1410012594620								MK607	DL26445309	MISSILE BODY, TACTICAL GM-84D-1 HARPOON		168	38	32.625	3490	120.5	2	OR-68/103	145
4W14	1410012580292								MK607	DL26445309	MISSILE BODY, EXERCISE TM-84A-1 HARPOON		168	38	32.625	3490	120.5	2	OR-68/103	145
4W14	1410012580293								MK607	DL26445309	MISSILE BODY, EXERCISE TM-84A-1 HARPOON		168	38	32.625	3490	120.5	2	OR-68/103	145
4W14	1410012580294								MK607	DL26445309	MISSILE BODY, EXERCISE TM-84A-1 HARPOON		168	38	32.625	3490	120.5	2	OR-68/103	145
4W14	1410012580295								MK607	DL26445309	MISSILE BODY, EXERCISE TM-84A-1 HARPOON		168	38	32.625	3490	120.5	2	OR-68/103	145
4W14	1410012580296								MK607	DL26445309	MISSILE BODY, EXERCISE TM-84A-1 HARPOON		168	38	32.625	3490	120.5	2	OR-68/103	145
4W14	1410012580297								MK607	DL26445309	MISSILE BODY, EXERCISE TM-84A-1 HARPOON		168	38	32.625	3490	120.5	2	OR-68/103	145
4W16	1410012580283								MK607	DL26445309	MISSILE BODY, EXERCISE TM-84D-1 HARPOON		168	38	32.625	3490	120.5	2	OR-68/103	145
4W16	1410012580284								MK607	DL26445309	MISSILE BODY, EXERCISE TM-84D-1A HARPOON		168	38	32.625	3490	120.5	2	OR-68/103	145
4W16	1410012580285								MK607	DL26445309	MISSILE BODY, EXERCISE TM-84D-1 HARPOON		168	38	32.625	3490	120.5	2	OR-68/103	145
4W16	1410012580286								MK607	DL26445309	MISSILE BODY, EXERCISE TM-84D-1A HARPOON		168	38	32.625	3490	120.5	2	OR-68/103	145
4W40	1410012621149								CNU-242		GM, EVALUATION PHOENIX AEM-54A-7		168	38	30	3115	110.8	2		194
4W41	1410012621150								CNU-242		GM, AIR TRAINING PHOENIX ATM-54		168	38	30	3115	110.8	2		194
4W42	1410012621151								CNU-242		GM, EVALUATION PHOENIX AEM-54A-9		168	38	30	3115	110.8	2		194
4W43	1410012638006								MK632		GUIDED MISSILE, TACTICAL CAP/CAN BGM-84D-1 HARPOON		193.5	28	28.5	2210	89.4	1	OR-4/239	151
4W43	1410012638007								MK632		GUIDED MISSILE, TACTICAL CAP/CAN BGM-84D-1 HARPOON		193.5	28	28.5	2210	89.4	1	OR-4/239	151
4W43	1410012638008								MK632		GUIDED MISSILE, TACTICAL CAP/CAN BGM-84D-1 HARPOON		193.5	28	28.5	2210	89.4	1	OR-4/239	151
4W43	1410012638009								MK632		GUIDED MISSILE, TACTICAL CAP/CAN BGM-84D-1 HARPOON		193.5	28	28.5	2210	89.4	1	OR-4/239	151
4W54	1410012667955								MK630	DL5165987	GUIDED MISSILE, EXERCISE ENCAPSULATED BTM-84D-1 HARPOON		271.875	44	39.25	2982	271.7	1	OR-68/54	152
4W54	1410012667956								MK632		GUIDED MISSILE, PRACTICE CAP/CAN RTM-84D1 HARPOON		193.5	28	28.5	2210	89.4	1	OR-4/239	151
4W55	1410012638015								MK632		GUIDED MISSILE, TACTICAL CAP/CAN BGM-84D-1 HARPOON		193.5	28	28.5	2210	89.4	1	OR-4/239	151
4W55	1410012638016								MK632		GUIDED MISSILE, TACTICAL CAP/CAN BGM-84D-1 HARPOON		193.5	28	28.5	2210	89.4	1	OR-4/239	151
4W55	1410012638017								MK632		GUIDED MISSILE, TACTICAL CAP/CAN BGM-84D-1 HARPOON		193.5	28	28.5	2210	89.4	1	OR-4/239	151
4W55	1410012638018								MK632		GUIDED MISSILE, TACTICAL CAP/CAN BGM-84A-1 HARPOON		193.5	28	28.5	2210	89.4	1	OR-4/239	151
4W56	1410012641901								MK608	DL 2645308	GUIDED MISSILE, TACTICAL CAP/CAN BGM-84D-1 HARPOON		206.75	28.5	31.5	2654	107.4	1	OR-68/44	154
4W56	1410012641902								MK608	DL 2645308	GUIDED MISSILE, TACTICAL CAP/CAN BGM-84D-1 HARPOON		206.75	28.5	31.5	2654	107.4	1	OR-68/44	154
4W57	1410012638013								MK632		GUIDED MISSILE, TACTICAL CAP/CAN BGM-84D-1 HARPOON		193.5	28	28.5	2210	89.4	1	OR-4/239	151
4W57	1410012638014								MK632		GUIDED MISSILE, TACTICAL CAP/CAN BGM-84D-1 HARPOON		193.5	28	28.5	2210	89.4	1	OR-4/239	151
4W58	1410012638011								MK632		GUIDED MISSILE, TACTICAL CAP/CAN BGM-84D-1 HARPOON		193.5	28	28.5	2210	89.4	1	OR-4/239	151
4W58	1410012638012								MK632		GUIDED MISSILE, TACTICAL CAP/CAN BGM-84D-1 HARPOON		193.5	28	28.5	2210	89.4	1	OR-4/239	151
4W60	5865012629123	43.1875			6.719	41	1.1	1	CNU-438		CHAFF AN/ALQ190	MK12MP	42.25	46	32	1180	35.4	12	MS1323-365	1
5W43	1410012834742								MK724-0	OR-68/148	MISSILE BODY, AIR TACTICAL SLAM GM-84E-1		186	37.625	30.25	3800	122.5	2	OR-68/148	183
5W44	1410012834743								MK724-0	OR-68/148	MISSILE BODY, SLAM ATM-84E-1 AIR EXERCISE		186	37.625	30.25	3800	122.5	2	OR-68/148	183
5W46	1325012842933								CNU-319		BOMB, CLUSTER SMOKE CBU-88/B		102.125	36.125	19.75	1556	42.2	2	1248A5100	91
5W61	1420012821243								MK630	DL5165987	CAPSULE, AW99-1 SUBLAUNCH HARPOON		271.875	44	39.25	3667	271.7	1	OR-68/54	152
7W82	1410011815870								MK607	DL26445309	MISSILE BODY, TACTICAL GM-84D-1A HARPOON		168	38	32.625	3389	120.5	2	OR-68/103	145
7W82	1410011829291								MK607	DL26445309	MISSILE BODY, TACTICAL GM-84D-1 HARPOON		168	38	32.625	3389	120.5	2	OR-68/103	145
7W82	1410012515780								MK607	DL26445309	MISSILE BODY, TACTICAL GM-84D-1 HARPOON		168	38	32.625	3389	120.5	2	OR-68/103	145
7W82	1410012515781								MK607	DL26445309	MISSILE BODY, TACTICAL GM-84D-1 HARPOON		168	38	32.625	3389	120.5	2	OR-68/103	145
7W82	1410012515782								MK607	DL26445309	MISSILE BODY, TACTICAL GM-84D-1 HARPOON		168	38	32.625	3389	120.5	2	OR-68/103	145
7W82	1410012515787								MK607	DL26445309	MISSILE BODY, TACTICAL GM-84D-1 HARPOON		168	38	32.625	3389	120.5	2	OR-68/103	145
7W82	1410012515788								MK607	DL26445309	MISSILE BODY, TACTICAL GM-84D-1A HARPOON		168	38	32.625	3389	120.5	2	OR-68/103	145
7W82	1410012515790								MK607	DL26445309	MISSILE BODY, TACTICAL GM-84D-1 HARPOON		168	38	32.625	3389	120.5	2	OR-68/103	145
7W92	1410012433850								MK607	DL26445309	MISSILE BODY, EXERCISE TM-84D-1 HARPOON		168	38	32.625	3389	120.5	2	OR-68/103	145
7W92	1410012433859								MK607	DL26445309	MISSILE BODY, EXERCISE TM-84D-1B HARPOON		168	38	32.625	3389	120.5	2	OR-68/103	145
7W92	1410012433860								MK607	DL26445309	MISSILE BODY, EXERCISE TM-84D-1B HARPOON		168	38	32.625	3389	120.5	2	OR-68/103	145
7W92	1410012446077								MK607	DL26445309	MISSILE BODY, EXERCISE TM-84D-1 HARPOON		168	38	32.625	3389	120.5	2	OR-68/103	145
7W93	1410012433847								MK607	DL26445309	MISSILE BODY, EXERCISE TM-84D-1 HARPOON		168	38	32.625	3389	120.5	2	OR-68/103	145
7W93	1410012433848								MK607	DL26445309	MISSILE BODY, EXERCISE TM-84D-1 HARPOON		168	38	32.625	3389	120.5	2	OR-68/103	145
7W93	1410012433849								MK607	DL26445309	MISSILE BODY, EXERCISE TM-84D-1 HARPOON		168	38	32.625	3389	120.5	2	OR-68/103	145
7W93	1410012433851								MK607	DL26445309	MISSILE BODY, EXERCISE TM-84D-1 HARPOON		168	38	32.625	3389	120.5	2	OR-68/103	145
7W93	1410012433852								MK607	DL26445309	MISSILE BODY, EXERCISE TM-84D-1B HARPOON		168	38	32.625	3389	120.5	2	OR-68/103	145
7W93	1410012433853								MK607	DL26445309	MISSILE BODY, EXERCISE TM-84D-1B HARPOON		168	38	32.625	3389	120.5	2	OR-68/103	145
7W93	1410012433858								MK607	DL26445309	MISSILE BODY, EXERCISE TM-84D-1B HARPOON		168	38	32.625	3389	120.5	2	OR-68/103	145
7W93	1410012433861								MK607	DL26445309	MISSILE BODY, EXERCISE TM-84D-1B HARPOON		168	38	32.625	3389	120.5	2	OR-68/103	145
7W96	1410012515783								MK607	DL26445309	MISSILE BODY, TACTICAL GM-84D-1 HARPOON		168	38	32.625	3389	120.5	2	OR-68/103	145
7W96	1410012515784								MK607	DL26445309	MISSILE BODY, TACTICAL GM-84D-1 HARPOON		168	38	32.625</					

DODIC	NSN	PACK LEN	PACK WID	PACK HGT	PACK DIA	PACK WGT	PACK CUBE	RDS/ PACK	PACKAGE TYPE	PACKAGE DRAWING #	NOMENCLATURE	BASE TYPE	UNIT LOAD LEN	UNIT LOAD WID	UNIT LOAD HGT	UNIT LOAD WGT	UNIT LOAD CUBE	PKG/ UNIT LOAD	UNIT LOAD DRAWING	SECT. 2 INDEX #
7W96	1410012526188								MK607	DL26445309	MISSILE BODY, TACTICAL GM-84D-1A HARPOON		168	38	32.625	3389	120.5	2	OR-68/103	145
A002	1305010181550	14.51	8.12	8.12		57	0.6	500	FB BOX		CARTRIDGE, 12 GAGE #7-1/2 SHOT TRAP/SKEET PLASTIC CASE									999
A003	1305010181551	14.51	8.12	8.12		57	0.6	500	fbd bx		CTD, 12 GAGE #8 SHOT TRAP/SKEET PLASTIC CASE									999
A004	1305010181552	14.51	8.12	8.12		57	0.6	500	FB BOX		CARTRIDGE, 12 GAGE #8-1/2 SHOT TRAP/SKEET PLASTIC CASE									999
A006	1305010181554	14.51	8.12	8.12		57	0.6	500	FB BOX		CARTRIDGE, 12 GAGE #8 SHOT TRAP LOAD PLASTIC CASE									999
A007	1305010181555	14.51	8.12	8.12		57	0.6	500	FB BOX		CARTRIDGE, 12 GAGE #8 SHOT TRAP LOAD PLASTIC CASE									999
A010	1305000285035	15.875	9.625	9.375		37	0.8	500	WDN BOX		CARTRIDGE, 10 GAGE BLANK	WP1A	37.5	48.125	37.25	1552	38.9	40	4116/1	1
A011	1305000286642	15.13	13.25	11.13		77.2	1.3	480	WDN BOX		CARTRIDGE, 12 GAGE #00 BUCKSHOT	MK3 MP	48.875	40	27	1484	29.7	18	WR-55/1	1
A011	1305000963155	15.13	13.25	11.13	117.8	1.3	480	WBD BOX			CARTRIDGE, 12 GAGE #00 BUCKSHOT BRASS CASE	MK3 MP	40	48.875	27	2214	29.7	18	WR-55/1	1
A011	1305000963156	15.25	10.25	10.25		96	0.9	500	WDN BOX		CARTRIDGE, 12 GAGE #00 BUCKSHOT BRASS CASE	WP1	41	51.25	20.75	2017	25.2	20	WR-55/2	1
A011	1305000963158	18.5	14.875	9.5		109	1.5	675	WDN BOX		CARTRIDGE, 12 GAGE SHOTGUN #00 BUCK ALL BRASS	WP1A	37	46.125	34	2045	33.6	18	4116/2A	1
A011	1305000963159	15.25	10.25	10.25		78	0.9	500	WDN BOX		CARTRIDGE, 12 GAGE #00 BUCKSHOT PAPER CASE	WP1	41	51.25	20.75	1657	25.2	20	WR-55/2	1
A011	1305000963160	18.44	9.44	14.88		97	1.5	675	WDN BOX		CARTRIDGE, 12 GAGE #00 BUCKSHOT PAPER CASE	MK3 MP	40.375	48	34.375	2034	38.6	20	WR-55/3	1
A011	1305003011700	18.44	9.44	14.88		109	1.5	675	WDN BOX		CARTRIDGE, 12 GAGE #00 BUCKSHOT BRASS CASE	MK3 MP	40.375	48	19.625	2274	21.9	20	WR-55/4	1
A011	1305005409213	15.3	10.3	10.3		78	0.9	500	FB BOX		CARTRIDGE, 12 GAGE #00 BUCKSHOT BRASS CASE	WP1	41	51.25	20.75	1654	25.2	20	WR-55/2	1
A011	1305008924254	14.5	12.75	8.375		40	0.9	240	WBD BOX	7553347	CARTRIDGE, 12 GAGE SHOTGUN #00 BUCK PLASTIC W/METAL BASE	WP1	43.5	51	39	2010	50.1	48	4116/2	1
A011	1305010438343	23.25	17.94	16.69		66	4	500	WBD BOX	9395641	CARTRIDGE, 12 GAGE #00 BUCKSHOT M19/M162 PLASTIC CASE	WP1	51.25	41	20.75	1417	25.2	20	WR-55/2	1
A011	1305012328338	14.5	12.75	8.375		53	0.9	320	WBD BOX	7553347	CARTRIDGE, 12 GAGE SHOTGUN #00	WP1	43.5	51	39	2634	50.1	48	4116/2	1
A014	1305001475568	14.5	12.75	8.375		40	0.9	240	WBD BOX	7553347	CARTRIDGE, 12 GAGE SHOTGUN #7 1/2 SHOT	WP1	43.5	51	39	2010	50.1	48	4116/2	1
A014	1305009298842	14.63	14.63	8.88		79.5	1.1	500	WBD BOX		CARTRIDGE, 12 GAGE #7-1/2 SHOT	WP1	51.25	41	20.75	1600	25.2	20	WR-55/2	1
A014	1305012328339							500	FB BOX		CARTRIDGE, 12 GAGE SHOTSHELL #7-1/2 SHOT									1
A014	1305013865605	14.5	12.75	8.375		38.4	0.9	240	WBD BOX	7553347	CARTRIDGE, 12 GAGE #7-1/2 SHOT TRAP AND SKEET LOAD	WP1	43.5	51	39	1933	50.1	48	4116/2	1
A015	1305000963162	18.44	9.44	14.88		63	1.5	500	WDN BOX		CARTRIDGE, 12 GAGE #8 SHOT CHILLED PLASTIC CASE									1
A015	1305003011709	18.44	9.44	14.88		98.7	1.5	675	WDN BOX		CARTRIDGE, 12 GAGE #8 SHOT CHILLED PAPER CASE	MK3MP	40.375	48	34.375	2068	38.6	20	WR-55/3	1
A017	1305000963164	15.25	10.25	10.25		79.5	0.9	500	WBD BOX		CARTRIDGE, 12 GAGE #9 SHOTCHILLED PLASTIC CASE	WP1	41	51.25	20.75	1525	25.2	20	WR-55/2	1
A017	1305001461187	14.5	12.75	8.375		40	0.9	240	WBD BOX	7553347	CARTRIDGE, 12 GAGE SHOTGUN #9 CHILLED SHOT	WP1	43.5	51	39	2010	50.1	48	4116/2	1
A017	1305009284485	14.63	14.63	8.88		66	1.1	500	WBD BOX		CARTRIDGE, 12 GAGE #9 SHOT	WP1	51.25	41	20.75	1400	25.2	20	WR-55/2	1
A017	1305012327415							500	FB BOX	12551626	CARTRIDGE, 12 GAGE SHOTSHELL #9 LEVEL B PACK	COMM								1
A017	1305013862028	14	12	8		38.4	0.8	240	WBD BOX		CARTRIDGE, 12 GAGE #9 SHOT TRAP AND SKEET LOAD	MK3MP	44	51	38.75	1911	50.3	48	6214235	1
A017	1305013862464	14	12	8		59.1	0.8	240	WBD BOX		CARTRIDGE, 12 GAGE #00 BUCKSHOT	MK3MP	44	51	38.75	3005	50.3	48	6214235	1
A019	1305005602090	14.44	12.53	8.12		59.9	0.9	350	WBD BOX		CARTRIDGE, 12 GAGE SHOTGUN FLECHETTE PLASTIC CASE									999
A020	1305001437007	14.5	12.75	8.375		57.7	0.9	350	WBD BOX		CARTRIDGE, 12 GAGE 48 SPECIAL BUCKSHOT PLASTIC CASE	MK3MP	44	51	38.75	2938	50.3	48	6214235	1
A020	1305007829616	14.5	12.75	8.375		40	0.9	240	WBD BOX	7553347	CARTRIDGE, 12 GAGE SHOTGUN #4 SHOT	WP1	43.5	51	39	2010	50.1	48	4116/2	1
A023	1305012821256					25.1		250	FB BOX		CARTRIDGE, 12 GAGE 1 OZ SLUG	COMM								999
A023	1305013865604	14.44	12.53	8.5		45.9	0.9	240	WBD BOX	6665096	CARTRIDGE, 12 GAGE 1 OZ SLUG	WP1	43.5	51	39	2303	50	48	4116/2	1
A024	1305012821257					25.1		250	FB BOX		CARTRIDGE, 12 GAGE POWERED METAL FILLED	COMM								999
A024	1305014315624	14.44	12.53	8.5		85	0.9	320	WBD BOX	9396198	CARTRIDGE, 12 GAGE POWERED METAL FILLED	WP1	43.5	51	39	4104	50.1	48	4116/2	1
A046	1305010181556	14.52	6.74	6.74		31	0.4	500	FB BOX		CARTRIDGE, 20 GAGE 2-1/2 DRAMS SHOTGUN									999
A052	1305010181558	14.51	5.88	5.88		30.1	0.3	500	FB BOX		CARTRIDGE, 410 GAGE SHOTGUN SKEET LOAD									999
A055	1305000286644	14.5	6.88	6		31	0.3	450	WDN BOX		CARTRIDGE, 410 GAGE SHOTGUN M35 #6 CHILLED ALUMINUM CASE									999
A055	1305000963168	14.5	12.75	8.375		40.5	0.9	500	WBD BOX		CARTRIDGE, 410 GAGE SHOTGUN M35 #6 ALUMINUM CASE									999
A057	1305010181557	14.51	5.44	5.44		26	0.2	500	FB BOX		CARTRIDGE, 28 GAGE #9 SKEET LOAD PLASTIC CASE									999
A058	1305011555455	14.4375	12.5313	8.125		66.4	0.9	1640	WBD BOX	12551963-13	CARTRIDGE, 5.56MM BALL M855 SINGLE RD	WP1	43.375	50.125	38	3282	47.8	48	4116/5	1
A058	1305011555458	14.4375	12.5313	8.125		64.6	0.9	1680	WBD BOX	12551963-7	CARTRIDGE, 5.56MM BALL M855 SINGLE RD	WP1	43.375	50.125	38	3195	47.8	48	4116/5	1
A059	1305011555459	14.4375	12.5313	8.125		69	0.9	1680	WBD BOX	12551963-10	CARTRIDGE, 5.56MM BALL M855 10/CLIP 12 CLIP/BANDOLEER	WP1	43.375	50.125	38	3406	47.8	48	4116/5	1
A059	1305011555462	14.4375	12.5313	8.125		67	0.9	1680	WBD BOX	12551963-6	CARTRIDGE, 5.56MM BALL M855 10/CLIP 12 CLIP/BANDOLEER	WP1	43.375	50.125	38	3310	47.8	48	4116/5	1
A060	1305007648437	14.4375	12.5313	8.125		57.1	0.9	1640	WBD BOX	12551963	CARTRIDGE, 5.56MM DUMMY M199 SINGLE RD	WP1	43.375	50.125	38	2832	47.8	48	4116/5A	1
A062	1305011555461	14.4375	12.5313	8.125		69.7	0.9	1600	WBD BOX	12551963-24	CARTRIDGE, 5.56MM BALL M855 LINKED 200/BELT	WP1	43.375	50.125	38	3440	47.8	48	4116/5	1
A062	1305011749277	14.4375	12.5313	8.125		47.1	0.9	800	WBD BOX	12551963-29	CARTRIDGE, 5.56MM BALL M855 LINKED 200/MAGAZINE	WP1	43.375	50.125	38	2355	47.8	48	4116/5	1
A062	1305012588692	17	13.375	9.375		75	1.2	1600	WBD BOX	12590217-3	CARTRIDGE, 5.56MM BALL M855 LINKED 200/BELT	WP1	40.125	51	43	2790	50.9	36	4116/5C	1
A062	1305013637560	17	13.375	9.375		75	1.2	1600	WBD BOX		CARTRIDGE, 5.56MM BALL M855 LINKED 200/BELT	WP1	40.125	51	43	2790	50.9	36	4116/5C	1
A063	1305011555457	14.4375	12.5313	8.125		66.7	0.9	1640	WBD BOX	12551963-14	CARTRIDGE, 5.56MM TRACER M856 SINGLE RD	WP1	43.375	50.125	38	3296	47.8	48	4116/5	1
A063	1305012932132	14.4375	12.5313	8.125		67	0.9	1640	WBD BOX	12551963	CARTRIDGE, 5.56MM TRACER M856 SINGLE RD	WP1	43.375	50.125	38	3310	47.8	48	4116/5	1
A064	1305011315246	14.4375	12.5313	8.125		47	0.9	800	WBD BOX		CARTRIDGE, 5.56MM 4 BALL M855/1 TR M856 LINKED	WP1	43.375	50.125	38	2347	47.8	48	4116/5A	1
A064	1305011567584	14.4375	12.5313	8.125		47	0.9	800	WBD BOX	12551963	CARTRIDGE, 5.56MM 4 BALL M855/1 TR M856 LINKED	WP1	43.375	50.125	38	2347	47.8	48	4116/5A	1
A064	1305012520153	17	13.375	9.375		75	1.2	1600	WBD BOX	12590217-1	CARTRIDGE, 5.56MM 4 BALL M855/1 TR M856 LINKED	WP1	40.125	51	43	2790	50.9	36	4116/5C	1
A064	1305013618038	17	13.375	9.375																

DODIC	NSN	PACK LEN	PACK WID	PACK HGT	PACK DIA	PACK WGT	PACK CUBE	RDS/PACK	PACKAGE TYPE	PACKAGE DRAWING #	NOMENCLATURE	BASE TYPE	UNIT LOAD LEN	UNIT LOAD WID	UNIT LOAD HGT	UNIT LOAD WGT	UNIT LOAD CUBE	PKG/UNIT LOAD	UNIT LOAD DRAWING	SECT. 2 INDEX #
A068	1305000095569	14.4375	12.5313	8.125		65	0.9	1640	WBD BOX	12551963	CARTRIDGE, 5.56MM TRACER M196	WP1	43.375	50.125	38	3190	47.8	48 4116/5	1	
A068	1305009144719	14.4375	12.5313	8.125		64.5	0.9	1640	WBD BOX	12551963	CARTRIDGE, 5.56MM TRACER M196	WP1	43.375	50.125	38	3190	47.8	48 4116/5	1	
A068	130500950832	14.4375	12.5313	8.125		51.4	0.9	1440	WBD BOX	12551963	CARTRIDGE, 5.56MM TRACER M196	WP1	43.375	50.125	38	2562	47.8	48 4116/5	1	
A070	1305000630319	14.4375	12.5313	8.125		62.7	0.9	1640	WBD BOX	12551963	CARTRIDGE, 5.56MM HPT M197 SINGLE RD	WP1	43.375	50.125	38	3104	47.8	48 4116/5	1	
A070	1305009356148	14.5	12.75	8.375		63	0.9	1000	WBD BOX		CARTRIDGE, 5.56MM, HTP, M197	WP1	43.5	51	39	3115	50.1	48 *4116/5	1	
A071	1305000058006	14.4375	12.5313	8.125		69	0.9	1680	WBD BOX	12551963	CARTRIDGE, 5.56MM BALL M193 10/CLIP	WP1	43.375	50.125	38	3392	47.8	48 4116/5	1	
A071	1305009263930	14.4375	12.5313	8.125		67	0.9	1680	WBD BOX	12551963-3	CARTRIDGE, 5.56MM BALL M193 10/CLIP	WP1	43.375	50.125	38	3310	47.8	48 4116/5	1	
A071	1305010156185	14.4375	12.5313	8.125		67	0.9	1680	WBD BOX	12551963	CARTRIDGE, 5.56MM BALL M193 10/CLIP	WP1	43.375	50.125	38	3310	47.8	48 4116/5	1	
A071	1305012556276	14.4375	12.5313	8.125		67	0.9	1680	WBD BOX	12551963-8	CARTRIDGE, 5.56MM BALL M193 10/CLIP	WP1	43.375	50.125	38	3310	47.8	48 4116/5	1	
A072	1305009263929	14.4375	12.5313	8.125		67	0.9	1680	WBD BOX	12551963	CARTRIDGE, 5.56MM TRACER M196 10/CLIP	WP1	43.375	50.125	38	3310	47.8	48 4116/5	1	
A072	1305012588693	14.4375	12.5313	8.125		67	0.9	1680	WBD BOX	12551963	CARTRIDGE, 5.56MM TRACER M196 10/CLIP	WP1	43.375	50.125	38	3310	47.8	48 4116/5	1	
A073	1305009359253	14.4375	12.5313	8.125		73.3	0.9	1800	WBD BOX	12551963	CARTRIDGE, 5.56MM 4 BALL M193/1 TR M196 LINKED	WP1	43.375	50.125	38	3613	47.8	48 4116/5	1	
A075	1305011555463	14.4375	12.5313	8.125		47	0.9	1600	WBD BOX	12551963	CARTRIDGE, 5.56MM BLANK M200 LINKED	WP1	43.375	50.125	38	2347	47.8	48 4116/5A	1	
A075	1305011555464	14.4375	12.5313	8.125		36.5	0.9	800	WBD BOX	12551963	CARTRIDGE, 5.56MM BLANK M200 LINKED	WP1	43.375	50.125	38	1843	47.8	48 4116/5A	1	
A075	1305011749278	14.4375	12.5313	8.125		36.5	0.9	800	WBD BOX	12551963	CARTRIDGE, 5.56MM BLANK M200 LINKED	WP1	43.375	50.125	38	1843	47.8	48 4116/5A	1	
A075	1305012588694	17	13.375	9.375		58	1.2	1600	WBD BOX	12590217-2	CARTRIDGE, 5.56MM BLANK M200 LINKED	WP1	40.125	51	43	2178	50.9	36 4116/5C	1	
A076	1305009261876	14.4375	12.5313	8.125		65	0.9	1640	WBD BOX	12551963	CARTRIDGE, 5.56MM DUMMY M232	WP1	43.375	50.125	38	3214	47.8	48 4116/5	1	
A080	1305000058005	14.4375	12.5313	8.125		55	0.9	2080	WBD BOX		CARTRIDGE, 5.56MM BLANK M200 SINGLE RD	WP1	43.375	50.125	38	2731	47.8	48 4116/5A	1	
A080	1305001823217	14.4375	12.5313	8.125		55.6	0.9	2280	WBD BOX	12551963	CARTRIDGE, 5.56MM BLANK M200 SINGLE RD	WP1	43.375	50.125	38	2760	47.8	48 4116/5A	1	
A080	1305007648436	14.4375	12.5313	8.125		55	0.9	2080	WBD BOX		CARTRIDGE, 5.56MM BLANK M200 SINGLE RD	WP1	43.375	50.125	38	2731	47.8	48 4116/5A	1	
A080	1305009269302	14.4375	12.5313	8.125		55	0.9	1880	WBD BOX		CARTRIDGE, 5.56MM BLANK M200 SINGLE RD	WP1	43.375	50.125	38	2731	47.8	48 4116/5A	1	
A080	1305013553384	12.6	9.9	12.6		45	0.9	2400		12944313	CARTRIDGE, 5.56MM BLANK M200								999	
A085	1305000932958										CARTRIDGE, .22 CAL SHORT BLANK	COMM								999
A085	1305011371677	17.5	11.5	8.5		26	1	2000	WBD BOX		CARTRIDGE, CAL .22 SHORT BLANK	WP1A	35	46	46.125	1152	43	40 4116/6E	1	
A086	1305003050890					38		5000		COMMERCIAL PACK	CARTRIDGE, .22 CAL LR BALL									999
A086	1305003050902	14.5	12.5	8.125		99	0.9	10200	WBD BOX		CARTRIDGE, CAL .22 BALL LR	WP1	43.5	51	30.625	3653	39.3	36 4116/6B	1	
A086	1305008196017	16.25	13.375	8		92	1	10000	WBN BOX		CARTRIDGE, CAL .22 BALL LR	WP1	40.125	48.75	37.5	3401	42.4	36 4116/6C	1	
A086	1305008925005	14	8	6		85	0.4	1000	FB BOX		CARTRIDGE, .22 CAL BALL LR									999
A089	1305000286140	14.25	10.125	7.875		58	0.7	5000	WBN BOX		CARTRIDGE, CAL .22 BALL LR	WP1	42.75	50.6256	37	3569	46.3	60 4116/6A	1	
A089	1305009351951	14.5	12.5	8.125		99	0.9	10200	WBD BOX		CARTRIDGE, CAL .22 BALL LR	WP1	43.5	51	30.625	3653	39.3	36 4116/6B	1	
A090	1305001204105	17.5	11.5	8.5		49	1	2000	WBD BOX		CARTRIDGE, CAL .22 TRACER PRACTICE M861	WP1A	35	46	46.125	3032	43	40 4116/6E	1	
A090	1305011204105	16.875	8.375	7.5		49	0.6	5000	WBN BOX	9345013	CARTRIDGE, CAL .22 TRACER PRACTICE M861	WP1	41.875	50.625	43	3767	52.8	75 4116/6D	1	
A090	1305011975038	17.37	11.5	8.12		90.7	0.9	2000	WBD BOX	9370220	CARTRIDGE, .22 CAL LR M861 RIM FIRE TRACER	WP1A	35	46.125	46	3700	43	40 4116/6E	1	
A091	1305000495398										CARTRIDGE, .22 CAL BALL LR MATCH (RIFLE)	COMM								999
A091	1305008108249	14.5	12.75	8.375		94	0.9	10200	WBN BOX		CARTRIDGE, CAL .22 BALL LR MATCH (RIFLE)	WP1	43.5	51	30.625	3473	39.3	36 4116/6	1	
A091	1305012559109							5000	FB BOX	12561438	CARTRIDGE, .22 CAL BALL LR MATCH LEVEL B PACK	COMM								999
A093	1305000495397									COMMERCIAL PACK	CARTRIDGE, .22 CAL BALL LR MATCH (PISTOL/REVOLVER)	COMM								999
A093	1305005854945	14.5	12.5	8.125		99	0.9	10200	WBD BOX		CARTRIDGE, CAL .22 BALL LR MATCH (PISTOL)	WP1	43.5	51	30.625	3664	39.3	36 4116/6B	1	
A093	1305006905118										CARTRIDGE, .22 CAL BALL LR MATCH (PISTOL/REVOLVER)	COMM								999
A095	1305010181539	5.63	1.36	2.42		4	0.1	500	FB BOX		CARTRIDGE, .22 CAL SH MATCH									999
A096	1305010181542							500	FB BOX		CARTRIDGE, .22 CAL LR MATCH									999
A097	1305010181543	6.65	2.5	2.23		9	0.1	500	FB BOX		CARTRIDGE, .22 CAL LR MATCH									999
A102	1305001823086	14.75	11.6875	7.1255		70	0.7	1000	WBD BOX		CARTRIDGE, 7.62MM BALL F/AK47 SINGLE RD	WP1A	35	45.75	41.125	3242	38.1	45 4116/7E	1	
A102	1305001823096	14.75	11.6875	7.125		70	0.7	1000	WBN BOX		CARTRIDGE, 7.62MM BALL F/AK47 SINGLE RD	WP1A	35	45.75	41.125	3242	38.1	45 4116/7E	1	
A102	1305001823125	14.4375	12.5313	8.125		74.6	0.85	1320	WBD BOX	9362607	CARTRIDGE, 7.62MM BALL F/AK47 SINGLE RD	WP1	43.5	51	39	2782	50.1	48 4116/7C	1	
A103	1305001523710	14.5	12.75	8.375		56	0.9	0	WBD BOX		CARTRIDGE, 7.62MM BLANK F/AK47 SINGLE RD	WP1	43.5	51	39	2779	50.1	48 4116/7B	1	
A103	1305001823126	14.5	12.75	8.375		55.6	0.9	1320	WBD BOX	9362607	CARTRIDGE, 7.62MM BALL F/AK47 SINGLE RD	WP1	43.5	51	39	2760	50.1	48 4116/7B	1	
A106	1305012572559	16.75	12.75	8		35	1	5000	FB BOX	COMMERCIAL PACK	CARTRIDGE, .22 CAL LR BALL									999
A111	1305001666371	17.38	11.5	8.12		59	1	800	WBD BOX	12960962	CARTRIDGE, 7.62MM BLANK M82/XM82 LINKED					1870	30	COMMERCIAL PALLET	999	
A111	1305003415129	14.44	12.53	8.5		0.9	50	600	WBD BOX	10542678	CARTRIDGE, 7.62MM BLANK M82 LINKED	MK3 MP	43.5	51	30.63	2070	39.3	36 4116/12	1	
A111	1305007528087	17.5	11.5	8.125		59.2	0.9	800	WBD BOX	12960962-2	CARTRIDGE, 7.62MM BLANK M82 LINKED	WP1A	35	46	46.125	2441	43	40 4116/7	1	
A111	1305011811750	17.5	11.5	8.125		59	0.9	800	WBD BOX	12960962-8	CARTRIDGE, 7.62MM BLANK M82 LINKED	WP1A	35	46	46.125	2433	43	40 4116/7	1	
A112	1305000088894	14.44	12.53	8.12		59.2	0.9	1200	WBD BOX	10523070	CARTRIDGE, 7.62MM BLANK M82	MK3 MP	44	51	38.75	3010	50.3	48 6214235	1	
A112	1305008825677	14.5	12.75	8.375		66	0.9	920	WBD BOX	7553347	CARTRIDGE, 7.62MM BLANK M82	WP1	43.5	51	39	3257	50.1	48 4116/7A	1	
A112	1305009905594	14.5	12.75	8.375		58.7	0.9	1200	WBD BOX	9362607	CARTRIDGE, 7.62MM BLANK M82	WP1	43.5	51	39	2909	50.1	48 4116/7B	1	
A122	1305003050909	17.5	11.5	8.125		76.5	0.9	960	WBD BOX	12960962	CARTRIDGE, 7.62MM BALL M59 MG	WP1A	35	46	46.125	3133	43	40 4116/7	1	
A122	1305009144676	14.5	12.75	8.375		73.5	0.9	920	WBD BOX	7553347	CARTRIDGE, 7.62MM BALL M59 MG	WP1	43.5	51	39	3622	50.1	48 4116/7A	1	
A122	1305015860305	14.5	12.75	8.3																

DODIC	NSN	PACK LEN	PACK WID	PACK HGT	PACK DIA	PACK WGT	PACK CUBE	RDS/PACK	PACKAGE TYPE	PACKAGE DRAWING #	NOMENCLATURE	BASE TYPE	UNIT LOAD LEN	UNIT LOAD WID	UNIT LOAD HGT	UNIT LOAD WGT	UNIT LOAD CUBE	PKG/UNIT LOAD	UNIT LOAD DRAWING	SECT. 2 INDEX #
A130	1305015692891	14.5	12.75	8.375		73	0.9	840	WBD BOX	9362607-27	CARTRIDGE, 7.62MM BALL M80 5/CLIP	WP1	43.5	51	39	3569	50.1	48 4116/7A	1	
A131	1305000058007	17.38	11.5	8.12		77.8	1	200	WBD BOX	8597306	CARTRIDGE, 7.62MM 4 BALL LINKED	MK3 MP	40.625	52.125	39.25	3594	48.1	45 6214108	1	
A131	1305001437163	14.4375	12.5313	8.125		60.2	0.85	600	WBD BOX	9362607	CARTRIDGE, 7.62MM 4 BALL M80/1 TR M62 LINKED	WP1	43.5	51	39	2974	50.1	48 4116/7C	1	
A131	1305001598593	17.38	11.5	8.12		75		800	WBD BOX	10521861	CARTRIDGE, 7.62MM 4 BALL M80/1 TR M62 LINKED							COMMERCIAL PALLET	999	
A131	1305008922150	17.5	11.5	8.125		77.4	0.9	800	WBD BOX	12960962	CARTRIDGE, 7.62MM 4 BALL M80/1 TR M62 LINKED	WP1A	35	46	46.125	3169	43	40 4116/7	1	
A131	1305015692912	17.5	11.5	8.125		77.4	0.9	800	WBD BOX	12960962-21	CARTRIDGE, 7.62MM 4 BALL M80/1 TR M62 LINKED	WP1A	35	46	46.125	3169	43	40 4116/7	1	
A135	1305005421272	14.5	12.75	8.375		55.6	0.9	920	WBD BOX	9362607	CARTRIDGE, 7.62MM DUMMY M63	WP1	43.5	51	39	2760	50.1	48 4116/7B	1	
A136	1305000642896	14.5	12.75	8.375		73.5	0.9	920	WBD BOX	9362607-6	CARTRIDGE, 7.62MM MATCH M118	WP1	43.5	51	39	3622	50.1	48 4116/7A	1	
A140	1305008288907	14.5	12.75	8.375		74	0.9	920	WBD BOX	7553347	CARTRIDGE, 7.62MM TRACER M62	WP1	43.5	51	39	3617	50.1	48 4116/7A	1	
A140	1305009264017	14.5	12.75	8.375		73.5	0.9	920	WBD BOX	9362607-7	CARTRIDGE, 7.62MM TRACER M62	WP1	43.5	51	39	3622	50.1	48 4116/7A	1	
A143	1305008922330	17.5	11.5	8.125		77.8	0.9	800	WBD BOX	12960962	CARTRIDGE, 7.62MM BALL M80 LINKED	WP1A	35	46	46.125	3185	43	40 4116/7	1	
A143	1305010989652	14.44	12.53	8.5		45	0.9	600	WBD BOX	10542678	CARTRIDGE, 7.62MM BALL M80 LINKED	WP1	43.5	51	39	2670	50.1	48 4116/2	1	
A143	1305015692917	17.5	11.5	8.125		77.8	0.9	800	WBD BOX	12960962-22	CARTRIDGE, 7.62MM BALL M80	WP1A	35	46	46.125	3185	43	40 4116/7	1	
A146	1305008922335	17.5	11.5	8.125		77.8	0.9	800	WBD BOX	12960962-5	CARTRIDGE, 7.62MM TRACER M62 LINKED	WP1A	35	46	46.125	3185	43	40 4116/7	1	
A149	1305009650601	14.4375	12.5313	8.125		78.9	0.85	864	WBD BOX	9362607	CARTRIDGE, 7.62MM BALL M80 8/CLIP	WP1	43.5	51	39	3886	50.1	48 4116/7C	1	
A151	1305008892169	17.5	11.5	8.125		77.4	0.9	800	WBD BOX	12960962-15	CARTRIDGE, 7.62MM 4 BALL M80/1 TR M62 LINKED	WP1A	35	46	46.125	3169	43	40 4116/7	1	
A159	1305004602600	17.5	11.5	8.125		79.5	0.9	880	WBD BOX	12960962-9	CARTRIDGE, 7.62MM DUMMY M172 LINKED	WP1A	35	46	46.125	3253	43	40 4116/7	1	
A159	1305009264009	17.5	11.5	8.125		77.8	0.9	800	WBD BOX	12960962-7	CARTRIDGE, 7.62MM DUMMY M172 LINKED	WP1A	35	46	46.125	3185	43	40 4116/7	1	
A162	1305009430448	14.4375	12.5313	8.125		73.5	0.85	920	WBD BOX	9362607	CARTRIDGE, 7.62MM DUMMY M172 SINGLE RD	WP1	43.5	51	39	3646	50.1	48 4116/7C	1	
A163	1305001438486	18.5938	8.2969	14.5938		118	1.3	1500	M548	10535781	CARTRIDGE, 7.62MM 9 BALL M80/1 TR M276 LINKED	WP1	40.375	49.75	34.5	2969	40	24 4116/7D	1	
A164	1305009359247	18.5938	8.2969	14.5938		118	1.3	1500	M548	10535781	CARTRIDGE, 7.62MM BALL M80 LINKED	WP1	40.375	49.75	34.5	2969	40	24 4116/7D	1	
A164	1305015692925	18.5938	8.2969	14.5938		127	1.3	1500	M548	10535781	CARTRIDGE, 7.62MM BALL M80	WP1	40.375	49.75	34.5	3185	40	24 4116/7D	1	
A165	1305009263942	18.5938	8.2969	14.5938		118	1.3	1500	M548	10535781	CARTRIDGE, 7.62MM 4 BALL M80/1 TR M62 LINKED	WP1	40.375	49.75	34.5	2969	40	24 4116/7D	1	
A165	1305015692929	18.5938	8.2969	14.5938		127	1.3	1500	M548	10535781	CARTRIDGE, 7.62MM BALL M80 AND TRACER M62 LINKED (4:1)	WP1	40.375	49.75	34.5	3185	40	24 4116/7D	1	
A166	1305009359289	14.5	12.75	8.375		73.5	0.9	920	WBD BOX	9362607-4	CARTRIDGE, 7.62MM BALL M80	WP1	43.5	51	39	3622	50.1	48 4116/7A	1	
A167	1305009359290	14.5	12.75	8.375		73.5	0.9	920	WBD BOX	9362607-11	CARTRIDGE, 7.62MM TRACER M62	WP1	43.5	51	39	3622	50.1	48 4116/7A	1	
A168	1305001523292	18.5938	8.2969	14.5938		118	1.3	1500	M548	10535781	CARTRIDGE, 7.62MM 4 BALL M80/1 TR M62 LINKED	WP1	40.375	49.75	34.5	2969	40	24 4116/7A	1	
A168	1305015692932	18.5938	8.2969	14.5938		127	1.3	1500	M548	10535781	CARTRIDGE, 7.62MM BALL M80 AND TRACER M62 LINKED (9:1)	WP1	40.375	49.75	34.5	3185	40	24 4116/7D	1	
A169	1305010181545							500	FB BOX	COMMERCIAL PACK	CARTRIDGE, 7.62MM MATCH SR								999	
A170	1305010181541	14.14	10.48	3.7		30	0.3	500	FB BOX		CARTRIDGE, 7.62MM MATCH LR								999	
A171	1305011200970	14.5	12.75	8.375		73.5	0.9	920	WBD BOX	9362607-10	CARTRIDGE, 7.62MM BALL MATCH M852	WP1	43.5	51	39	3622	50.1	48 4116/7A	1	
A181	1305000286143	16.5	12.75	7.63		112	0.9	3450	WDN BOX		CARTRIDGE, .30 CAL CARBINE BALL	WP1	42	51	13.125	1217	16.3	10 WR-55/13	1	
A181	1305000286144	14.125	11.375	9.75		98	0.9	3000	WDN BOX		CARTRIDGE, .30 CAL CARBINE BALL M1	WP1	42	51	13.125	997	16.3	10 WR-55/13	1	
A181	1305000286146	17	9.75	9.625		83	0.9	2400	WDN BOX		CARTRIDGE, .30 CAL CARBINE BALL M1	WP1	39	51	24.75	2091	29.2	24 WR-55/14	1	
A181	1305000286152	14.625	10.25	8.625		59	0.7	1600	WDN BOX		CARTRIDGE, CAL .30 CARBINE BALL M1	WP1	43.875	51.25	22.75	1857	29.6	30 4116/8M	1	
A181	1305000286507	14.625	10.25	8.625		66	0.7	1800	WDN BOX		CARTRIDGE, CAL .30 CARBINE BALL M1	WP1	43.875	51.25	22.75	2067	29.6	30 4116/8M	1	
A181	1305005409132	18.5	9.5	14.9		177.6	1.5	4800	WDN BOX		CARTRIDGE, .30 CAL CARBINE BALL M1	WP1	40.625	47.5	20.375	1887	23	10 WR-55/17	1	
A181	1305009263963	14.5	12.75	8.375		98	0.9	2700	WBD BOX		CARTRIDGE, CAL .30 CARBINE BALL M1	WP1	43.5	51	39	3617	50.1	36		1
A182	1305000286509	14.625	10.25	8.625		54	0.7	1200	WDN BOX		CARTRIDGE, CAL .30 CARBINE BALL M1 10/CLIP	WP1	43.875	51.75	26	2032	34.2	36 4116/8P	1	
A182	1305003011661	14.5	12.75	8.375		70	0.9	1680	WBD BOX		CARTRIDGE, CAL .30 CARBINE BALL M1 10/CLIP	WP1	43.5	51	39	3451	50.1	48 4116/8F	1	
A182	1305003011662	14.5	12.75	8.375		87	0.9	2160	WBD BOX		CARTRIDGE, CAL .30 CARBINE BALL M1 10/CLIP	WP1	43.5	51	30.625	3221	39.3	36 4116/8G	1	
A182	1305005541335	14.625	10.25	8.625		54	0.7	1200	WDN BOX		CARTRIDGE, CAL .30 CARBINE BALL M1 10/CLIP	WP1	43.875	51.75	26	2032	34.2	36 4116/8P	1	
A183	1305000286153	11.88	9.75	9.5		59	0.6	1600	WDN BOX		CARTRIDGE, .30 CAL CARBINE TRACER M16/T24	WP1	39	47.5	24.5	1987	27.2	32 WR-55/10	1	
A183	1305000286511	14.625	10.25	8.625		65	0.7	1800	WDN BOX		CARTRIDGE, CAL .30 CARBINE TRACER M16	WP1	43.875	51.25	22.75	2037	29.6	30 4116/8M	1	
A184	1305000286510	14.625	10.25	8.625		54	0.7	1200	WDN BOX		CARTRIDGE, CAL .30 CARBINE TRACER M27 10/CLIP	WP1	43.875	51.75	26	2032	34.2	36 4116/8P	1	
A184	1305003011663	14.5	12.75	8.375		84	0.9	2160	WBD BOX		CARTRIDGE, CAL .30 CARBINE TRACER M27 10/CLIP	WP1	43.5	51	22.25	2102	28.6	24 4116/8J	1	
A185	1305000286528	14.625	10.25	8.625		64	0.7	1400	WDN BOX		CARTRIDGE, CAL .30 CARBINE HPT	WP1	43.875	51.25	22.75	2007	29.6	30 4116/8M	1	
A186	1305000286148	14.5	12.75	8.375		59	0.9		WBD BOX	7553659	CARTRIDGE, CAL .30 DUMMY M13	WP1	43.5	51	39	2923	50.1	48 4116/8K	1	
A191	1305010181547	14.5	12.75	8.375		60	0.9	480	WBD BOX	7553659-7	CARTRIDGE, .300 CALIBER, WINCHESTER MAGNUM, MATCH	WP1	43.5	51	39	2974	50.1	48 4116/8C	1	
A201	1305000286157	18.5	9.5	14.875		113	1.5	1500	WDN BOX		CARTRIDGE, CAL .30 AP M2	WP1A	37	47.5	35.25	2332	35.9	20 4116/8E	1	
A201	1305000286162	14.5	12.75	8.375		80	0.9	960	WBD BOX		CARTRIDGE, CAL .30 AP M2	WP1	43.5	51	39	3931	50.1	48 4116/8F	1	
A201	1305000286187	14.5	12.75	8.375		72	0.9	880	WBD BOX		CARTRIDGE, CAL .30 AP M2	WP1	43.5	51	39	3547	50.1	48 4116/8F	1	
A201	1305000286526	14.625	10.25	8.625		39	0.7	1040	WDN BOX		CARTRIDGE, CAL .30 AP M2	WP1	43.875	51.75	36.25	2195	47.6	54 4116/8N	1	
A201	1305000635747	17.5	11.5	8.125		74	0.9	880	WBD BOX		CARTRIDGE, CAL .30 AP M2	WP1A	35	46	46.125	3036	43	40 4116/8	1	
A201	1305005421119	14.5	12.75	8.375		60	0.9	800	WBD BOX		CARTRIDGE, CAL .30 AP M2	WP1	43.5	51	39	2971	50.1	48 4116/8F	1	
A201	1305008144607	18.5	9.5</																	

DODIC	NSN	PACK LEN	PACK WID	PACK HGT	PACK DIA	PACK WGT	PACK CUBE	RDS/PACK	PACKAGE TYPE	PACKAGE DRAWING #	NOMENCLATURE	BASE TYPE	UNIT LOAD LEN	UNIT LOAD WID	UNIT LOAD HGT	UNIT LOAD WGT	UNIT LOAD CUBE	PKG/ UNIT LOAD	UNIT LOAD DRAWING	SECT. 2 INDEX #
A205	1305001263856	17.5	11.5	7.75		90	0.9	1120	WBD BOX		CARTRIDGE, CAL .30 AP M2 5/CLIP	WP1A	38.75	46	23	1870	23.7	20 4116/8R	1	
A205	1305003011664	17.5	11.5	8.125		74	0.9	768	WBD BOX		CARTRIDGE, CAL .30 AP M2 5/CLIP	WP1A	35	46	46.125	3036	43	40 4116/8	1	
A205	1305005556776	18.5	9.5	14.75		110	1.5	1152	MK1		CARTRIDGE, .30 CAL AP M2 GRADE R	MK12MP	37	47.5	34.875	2310	35.4	20 WR-53/26	1	
A207	1305000286186	17.5	11.688	8.125		88	1	1000	WBD BOX		CARTRIDGE, CAL .30 AP M2 LINKED	WP1A	35	46	46.125	3596	43	40 4116/8	1	
A209	1305000286159	17.5	11.5	8.125		88	0.9	1000	WBD BOX		CARTRIDGE, CAL .30 4 AP M2/1 TR M1 LINKED	WP1A	35	46	46.125	3596	43	40 4116/8	1	
A209	1305000286174	17.375	11.5	8.125		88	0.9	1000	WBD BOX	7553510	CARTRIDGE, .30 CAL 4 AP M2/1 TR M1 BELTED GRADE MG	WP1	40.625	52.125	17	1417	20.9	15 WR-55/16	1	
A209	1305000286176	17.38	11.5	8.125		88	0.9	1000	WBD BOX	7553510	CARTRIDGE, .30 CAL 4 AP M2/1 TR M25 BELTED GRADE MG	MK12MP	37	47.5	34.875	1870	35.4	20 WR-53/26	1	
A209	1305000286513	15.125	13.25	11.125		90	1.3	1000	WDN BOX		CARTRIDGE, CAL .30 4 AP M2/1 TR M1 LINKED	WP1A	35	45.5	32	1703	29.5	18 4116/8D	1	
A209	1305000286514	17.5	11.5	8.125		90	0.9	1000	WBD BOX		CARTRIDGE, CAL .30 4 AP M2/1 TR M1 LINKED	WP1A	35	46	46.125	3676	43	40 4116/8	1	
A209	1305000286516	17.5	11.5	8.125		88	0.9	1000	WBD BOX		CARTRIDGE, CAL .30 4 AP M2/1 TR M1 LINKED	WP1A	35	46	46.125	3596	43	40 4116/8	1	
A209	1305000286517	17.5	11.5	8.125		88	0.9	1000	WBD BOX		CARTRIDGE, CAL .30 4 AP M2/1 TR M1 LINKED	WP1A	35	46	46.125	3596	43	40 4116/8	1	
A209	1305000286546	17.375	11.5	8.125		86	0.9	1000	WBD BOX		CARTRIDGE, .30 CAL 4 API M14/1TR M25 LINKED GRADE MG	MK12MP	37	47.5	34.875	1830	35.4	20 WR-53/26	1	
A212	1305000286535	15.125	13.25	11.125		75	1.3	1040	WDN BOX		CARTRIDGE, CAL .30 BALL M2	WP1A	35	45.5	32	1433	29.5	18 4116/8D	1	
A212	1305000963150	14.5	12.75	8.375		67	0.9	800	WBD BOX	7553659-5	CARTRIDGE, CAL .30 BALL M2	WP1	43.5	51	39	3310	50.1	48 4116/8C	1	
A212	1305005455611	17.5	11.5	8.125		57	0.9	1000	WBD BOX		CARTRIDGE, CAL .30 BALL M2	WP1A	35	46	46.125	2356	43	40 4116/8	1	
A216	1305000286215	14.5	12.75	8.375		76	0.9	768	WBD BOX		CARTRIDGE, CAL .30 BALL M2 8/CLIP	WP1	43.5	51	39	3739	50.1	48 4116/8F	1	
A216	1305000286215	17.5	11.5	8.125		74	0.9	768	WBD BOX	7553698	CARTRIDGE, CAL .30 BALL M2 8/CLIP	WP1A	35	46	46.125	3036	43	40 4116/8	1	
A216	1305003011665	17.5	11.5	8.125		74	0.9	768	WBD BOX		CARTRIDGE, CAL .30 BALL M2 8/CLIP	WP1A	35	46	46.125	3036	43	40 4116/8	1	
A216	1305005556780	17.5	11.5	8.125		74	0.9	768	WBD BOX		CARTRIDGE, CAL .30 BALL M2 8/CLIP	WP1A	35	46	46.125	3036	43	40 4116/8	1	
A217	1305000286537	17.5	11.5	8.125		86	0.9	1000	WBD BOX		CARTRIDGE, CAL .30 BALL M2 LINKED	WP1A	35	46	46.125	3516	43	40 4116/8	1	
A218	1305000286542	17.5	11.5	8.125		57	0.9	1000	WBD BOX		CARTRIDGE, CAL .30 4 BALL M2/1 TR M25 LINKED	WP1A	35	46	46.125	2356	43	40 4116/8	1	
A220	1305000286280	18.5	9.5	14.875		75	1.5	1500	WDN BOX		CARTRIDGE, CAL .30 BALL FRANGIBLE M22	WP1A	37	47.5	35.25	1572	35.9	20 4116/8E	1	
A220	1305000286281	13.875	10.125	8.625		35	0.7	480	WDN BOX		CARTRIDGE, CAL .30 BALL FRANGIBLE M22	WP1	41.625	50.625	40	2189	48.8	60 4116/8B	1	
A222	1305000473871	14.5	12.75	8.375		60	0.9	1240	WBD BOX	7553659-1	CARTRIDGE, CAL .30 BLANK M1909	WP1	43.5	51	39	2974	50.1	48 4116/8C	1	
A222	1305006022193	17.5	11.5	8.125		59	0.9	1120	WBD BOX	7553347	CARTRIDGE, CAL .30 BLANK M1909	WP1A	35	46	46.125	2432	42.4	40 4116/8S	1	
A224	1305003011670	14.5	12.75	8.375		59	0.9	960	WBD BOX	7553659	CARTRIDGE, CAL .30 BLANK M1909 8/CLIP	WP1	43.5	51	39	2923	50.1	48 4116/8K	1	
A224	1305005420420	14.5	12.75	8.375		58.9	0.9	960	WBD BOX	7553659	CARTRIDGE, CAL .30 BLANK M1909 8/CLIP	WP1	43.5	51	39	2919	50.1	48 4116/8K	1	
A225	1305000286558	17.5	11.5	8.125		60	0.9	1000	WBD BOX	7553347	CARTRIDGE, CAL .30 BLANK M1909 LINKED	WP1A	35	46	46.125	2473	42.4	40 4116/8S	1	
A227	1305000286250	18.5	9.5	14.875		75	1.5	1900	WDN BOX		CARTRIDGE, CAL .30 DUMMY M2	WP1A	37	47.5	35.25	1572	35.9	20 4116/8E	1	
A230	1305000286549	15.125	13.25	11.125		83	1.3	1040	WDN BOX		CARTRIDGE, CAL .30 TRACER M25	WP1A	35	45.5	32	1577	29.5	18 4116/8D	1	
A230	1305000963151	14.5	12.75	8.375		67	0.9	880	WBD BOX	7553807	CARTRIDGE, CAL .30 TRACER M1	WP1	43.5	51	39	3350	50.1	48	1	
A230	1305003050908	14.5	12.75	8.375		68	0.9	800	WBD BOX	7553807	CARTRIDGE, CAL .30 TRACER M25	WP1	43.5	51	39	3354	50.1	48 4116/8C	1	
A230	1305009359298	17.5	11.5	8.125		84	0.9	1092	WBD BOX		CARTRIDGE, CAL .30 TRACER M25	WP1A	35	46	46.125	3436	43	40 4116/8	1	
A231	1305000286550	15.125	13.25	11.125		75	1.3	1040	WDN BOX		CARTRIDGE, CAL .30 TRACER M25	WP1A	35	45.5	32	1433	29.5	18 4116/8D	1	
A231	1305001437151	17.5	11.5	8.125		65	0.9	1092	WBD BOX		CARTRIDGE, CAL .30 TRACER M1	WP1A	35	46	46.125	2676	43	40 4116/8	1	
A232	1305000286261	18.5	9.5	14.875		112	1.5	1500	WDN BOX		CARTRIDGE, CAL .30 TRACER M1 5/CLIP	WP1A	37	47.5	35.25	2312	35.9	20 4116/8E	1	
A234	1305000286265	18.5	9.5	14.875		108	1.5	1344	WDN BOX		CARTRIDGE, CAL .30 TRACER M1 8/CLIP	WP1A	37	47.5	35.25	2232	35.9	20 4116/8E	1	
A234	1305000286552	14.625	10.25	8.625		40	0.7	384	WDN BOX		CARTRIDGE, CAL .30 TRACER M25 8/CLIP	WP1	41	51.75	34.75	2008	42.7	48 4116/8L	1	
A236	1305000286548	15.125	13.25	11.125		86	1.3	1000	WDN BOX		CARTRIDGE, CAL .30 TRACER M1 LINKED	WP1A	35	45.5	32	1631	29.5	18 4116/8D	1	
A236	1305000286551	17.5	11.5	8.125		86	0.9	1000	WBD BOX		CARTRIDGE, CAL .30 TRACER M25 LINKED	WP1A	35	46	46.125	3516	43	40 4116/8	1	
A237	1305000286527	15.125	13.25	11.125		75	1.3	1040	WDN BOX		CARTRIDGE, CAL .30 HPT M1	WP1A	35	45.5	32	1433	29.5	18 4116/8D	1	
A238	1305000286255	18.5	9.5	14.875		110	1.5	1500	WDN BOX		CARTRIDGE, CAL .30 TRACER (DETERIORATED) M1	WP1A	37	47.5	35.25	2272	35.9	20 4116/8E	1	
A238	1305003050892	13.875	10.125	8.625		40	0.7	480	WDN BOX		CARTRIDGE, CAL .30 TRACER (DETERIORATED) M1	WP1	41.625	50.625	31.375	1888	38.3	45 4116/8A	1	
A238	1305003050907	14.5	12.75	8.375		75	0.9	880	WBD BOX	10533838	CARTRIDGE, CAL .30 TRACER (DETERIORATED) M1	WP1	43.5	51	39	3699	50.1	48 4116/8C	1	
A241	1305003442389	17.5	11.5	8.125		88	0.9	1000	WBD BOX		CARTRIDGE, CAL .30 4 BALL M2/1 TR M1/M25 LINKED	WP1A	35	46	46.125	3596	43	40 4116/8	1	
A242	1305005298244	18.5	9.5	14.875		73	1.5	1700	WDN BOX		CARTRIDGE, CAL .30 BLANK M3	WP1A	37	47.5	35.25	1532	35.9	20 4116/8E	1	
A244	1305000286266	13.875	10.125	8.625		42	0.7	480	WDN BOX		CARTRIDGE, CAL .30 TR (DETERIORATED) M1 5/CLIP	WP1	41.625	50.625	31.375	1978	38.3	45 4116/8A	1	
A244	1305000286277	18.5	9.5	14.875		112	1.5	1500	WDN BOX		CARTRIDGE, CAL .30 TR (DETERIORATED) M1 5/CLIP	WP1A	37	47.5	35.25	2312	35.9	20 4116/8E	1	
A245	1305000286268	13.875	10.125	8.625		44	0.7	480	WDN BOX		CARTRIDGE, CAL .30 TR (DETERIORATED) M1 8/CLIP	WP1	41.625	50.625	31.375	2068	38.3	45 4116/8A	1	
A245	1305000286276	18.5	9.5	14.875		108	1.5	1344	WDN BOX		CARTRIDGE, CAL .30 TR (DETERIORATED) M1 8/CLIP	WP1A	37	47.5	35.25	2232	35.9	20 4116/8E	1	
A245	1305005801308	14.625	10.25	8.625		40	0.7	384	WDN BOX		CARTRIDGE, CAL .30 TR (DETERIORATED) M1 8/CLIP	WP1	41	51.75	34.75	2008	42.7	48 4116/8L	1	
A246	1305005652636	14.5	12.75	8.375		66	0.9	800	WBD BOX		CARTRIDGE, CAL .30 BALL M72 MATCH	WP1	43.5	51	39	3354	50.1	48 4116/8C	1	
A247	1305005465830	17.5	11.5	8.125		71	0.9	960	WBD BOX		CARTRIDGE, CAL .30 BALL M72 MATCH 8/CLIP	WP1A	35	46	46.125	3476	43	40 4116/8	1	
A255	1305013809975	17.5	11.5	8.125		77.8	0.9	800	WBD BOX	12960962-16	CARTRIDGE, 7.62MM 4 BALL M80/1 TR M276 LINKED	WP1A	35	46	46.125	3185	43	40 4116/7	1	
A257	1305013809803	18.5938	8.2969	14.5938		118	1.3	1500	M548	10535781	CARTRIDGE, 7.62MM 9 BALL M80/1 DIM TR M276 LINKED	WP1	40.375	49.75	34.5	2969	40	24 4116/7D	1	
A258	1305013809840	18.5938	8.2969	14.5938		118	1.3	1500	M548	10535781	CARTRIDGE, 7.62MM 14 BALL M80/1 DIM TR M276 LINKED	WP1	40.375	49.75	34.5	2969	40	24 4116/7D	1	
A260	1305013333929	14.5	12.75	8.375		82.3	0.9	2000	WBD BOX	9396206	CARTRIDGE, 9MM SUBSONIC 147 GRAIN JACKETED HOLLOW POINT	WP1	43.5	51	30.63	3040	39.3	36 4116/12	1	
A260	1305013578488	14.5	12.75	8.375		82.3	0.9	2000	WBD BOX	9396206	CARTRIDGE, 9MM SUBSONIC 147 GRAIN JACKETED HOLLOW POINT	WP1	43.5	51	30.63	3040	39.3	36 4116/12	1	
A349	1305005419833	11.25	9.75	6.5		45	0.4	2500	WDN BOX		CARTRIDGE, CAL .32 BALL	WP1	45	48.75	31.5	3691	40	80 4116/9	1	
A349	1305005419841	9.75	9	6.5		41	0.4	2500	WDN BOX	9396206	CARTRIDGE, CAL .32 BALL	WP1A	36	48.75	31.5	3354	31.9	80 4116/9A	1	
A350	1305000286622	16	11	7		93	0.7	5000	WDN BOX		CARTRIDGE, CAL .32 BALL AUTO	WP1	42	48	27.5	3435	32.1	36 4116/9B	1	
A358	1305012148684	14.875	9.125	6.75		110	0.5	3000	PLY BOX		CARTRIDGE, 9MM TP-T M939 F/AT4 TRAINER	WP1A	36.5	47.25	20.375	3151	20.3	28 4116/37A	1</	

DODIC	NSN	PACK LEN	PACK WID	PACK HGT	PACK DIA	PACK WGT	PACK CUBE	RDS/PACK	PACKAGE TYPE	PACKAGE DRAWING #	NOMENCLATURE	BASE TYPE	UNIT LOAD LEN	UNIT LOAD WID	UNIT LOAD HGT	UNIT LOAD WGT	UNIT LOAD CUBE	PKG/UNIT LOAD	UNIT LOAD DRAWING	SECT. 2 INDEX #
A365	1305004518203	14.44	12.53	8.5		102	0.9	560	WBD BOX	11738800	CARTRIDGE, 14.5MM TRAINER M181								COMMERCIAL PALLET	999
A366	1305004512894	14.44	12.53	8.5		102	0.9	560	WBD BOX	11738800	CARTRIDGE, 14.5MM TRAINER M182								COMMERCIAL PALLET	999
A367	1305004512895	14.44	12.53	8.5		102	0.9	560	WBD BOX	11738800	CARTRIDGE, 14.5MM TRAINER M183								COMMERCIAL PALLET	999
A397	1305005534779	14.875	10.875	7.375		63	0.7	2000	FB BOX		CARTRIDGE, CAL .38 SPECIAL PGU-12/B BALL	WP1	44.625	49.5	35	3160	44.7	48	4116/12C	1
A397	1305005534779	18.625	12.25	9.375		67	1.2	2000	WDN BOX		CARTRIDGE, CAL .38 SPECIAL PGU-12/B BALL	WP1A	37.25	49	43	2216	45.4	32	4116/12C	1
A400	1305000075557	14.44	12.53	8.12		94.4	0.9	1200	WBD BOX	9396206	CARTRIDGE, .38 CAL SPECIAL BALL M41 130	MK3 MP	44	51	30.625	3566	39.8	36		1
A400	1305003226391	14.5	12.75	8.375		94	0.9	2400	WBD BOX	9396206	CARTRIDGE, CAL .38 SPECIAL BALL M41 130 GRAIN	WP1	43.5	51	30.625	3401	39.3	36	4116/12	1
A402	1305000286623	16	11	7		98	0.7	2500	WDN BOX		CARTRIDGE, CAL .38 SPECIAL BALL 158 GR STEEL JACKET	WP1	42	48	27.5	3616	32.1	36	4116/12A	1
A403	1305008108250	14.875	10.875	7.375		63	0.7	2000	FB BOX		CARTRIDGE, CAL .38 SPECIAL BLANK	WP1	44.625	49.5	35	3160	44.7	48	4116/12C	1
A403	1305008108250	18.625	12.25	9.375		67	1.2	2000	WDN BOX		CARTRIDGE, CAL .38 SPECIAL BLANK	WP1A	37.25	49	43	2216	45.4	32	4116/12C	1
A404	1305001230548	14.5	12.75	8.375		94	0.9	2400	WBD BOX	9396206	CARTRIDGE, CAL .38 WADCUTTER	WP1	43.5	51	30.625	3537	39.3	36	4116/12	1
A404	1305003011691	14.875	10.875	7.375		63	0.7	2000	FB BOX		CARTRIDGE, CAL .38 WADCUTTER	WP1	44.625	49.5	35	3160	44.7	48	4116/12C	1
A404	1305003011691	18.625	12.25	9.375		67	1.2	2000	WDN BOX		CARTRIDGE, CAL .38 WADCUTTER	WP1A	37.25	49	43	2216	45.4	32	4116/12C	1
A409	1305003442400	14.25	10.125	7.875		64	0.7	1800	WDN BOX		CARTRIDGE, CAL .38 BALL AUTO	WP1	42.75	50.625	37	3931	46.3	60	4116/12B	1
A415	1305000682006									COMMERCIAL PACK	CARTRIDGE, .38 CAL BALL 95 GRAIN									999
A450	1305013509580	18.625	8.25	14.5		87	1.3	100	M548	12910231	CARTRIDGE, 20MM 4 PGU-27/B TP/1 PGU-30/B TP-T LINKED	MK3 MP	40.25	49.5	34.5	2248	40	24	6214082	1
A475	1305000286613	14.5	12.75	8.375		107	0.9	2000	WBD BOX		CARTRIDGE, CAL .45 BALL M1911	WP1	43.5	51	30.625	3943	39.3	36	4116/13	1
A475	1305000286619	14.75	10.5	8.625		68	0.7	1200	WBD BOX	7553105	CARTRIDGE, .45 CAL BALL M1911	WP1	43.5	51	30.625	3977	39.3	36		1
A475	1305003011685	14.5	12.75	8.375		107	0.9	2000	WBD BOX	9396206	CARTRIDGE, CAL .45 BALL M1911	WP1	43.5	51	30.625	3943	39.3	36	4116/13	1
A476	1305007532304	14.5	12.75	8.375		39	0.9	2000	WBD BOX	9396206	CARTRIDGE, .45 CAL BLANK M9	WP1	43.5	51	30.625	1493	39.3	36	4116/13	1
A477	1305016549370	14.375	12.5	8.125		40	0.845	640	WBD BOX	9396206-32	CARTRIDGE, .45 CAL BLANK LINE THROWING M32	WP1	43.25	50	38	2009	50.1	48	4116/13A	1
A479	1305009056788	14.5	12.75	8.375		107	0.9	2000	WBD BOX	9396206	CARTRIDGE, CAL .45 TRACER M26	WP1	43.5	51	30.625	3943	39.3	36	4116/13	1
A482	1305005407862	14.44	12.53	10.25		107	1	2000	WBD BOX	9396206	CARTRIDGE, .45 CAL WADCUTTER MATCH	WP1	43.5	51	30.625	3977	39.3	36		1
A482	1305007527910	14.5	12.75	8.375		107	0.9	2000	WBD BOX	9396206	CARTRIDGE, CAL .45 WADCUTTER	WP1	43.5	51	30.625	3943	39.3	36	4116/13	1
A482	1305008924230	16	13.25	9		82	1.1	2000	WBD BOX		CARTRIDGE, CAL .45 WADCUTTER	WP1A	36	48	45.25	3026	45.3	36	4116/13B	1
A483	1305008922526	14.5	12.75	8.375		107	0.9	2000	WBD BOX	9396206	CARTRIDGE, CAL .45 BALL M1911 MATCH	WP1	43.5	51	30.625	3943	39.3	36	4116/13	1
A501	1305005165234	14.5	12.75	8.375		104	0.9	2000	WBD BOX	9396206	CARTRIDGE, CAL .45 DUMMY M1921	WP1	43.5	51	30.625	3835	39.3	36	4116/13	1
A518	1305013328254	14.5	12.75	8.375		77	0.9	200	WBD BOX	12576456	CARTRIDGE, CALIBER .50 4 SLAP M903/1 SLAP-T M962	WP1	43.5	51	39	3790	50.1	48	4116/14	1
A519	1305012786880	14.5	12.75	8.375		75	0.9	200	WBD BOX	12576456	CARTRIDGE, CALIBER .50 SLAP M903 LINKED	WP1	43.5	51	39	3694	50.1	48		1
A520	1305007648386	14.5	12.75	8.375		69	0.9	170	WBD BOX	12576456	CARTRIDGE, CALIBER .50 4 BALL M33/1 TR M17 MG	WP1	43.5	51	39	3406	50.1	48	4116/14	1
A525	1305000286294	14.25	10.125	7.875		44	0.7	120	WDN BOX		CARTRIDGE, CAL .50 AP M2 AC	WP1	42.75	50.625	44.875	3389	56.2	75	4116/14C	1
A525	1305000286296	18.5	19.5	14.875		113	3.1	350	WDN BOX		CARTRIDGE, CAL .50 AP M2 AC	WP1A	37	47.5	35.25	2097	35.9	20	4116/14E	1
A526	1305000286298	18.5	19.5	14.875		113	3.1	350	WDN BOX		CARTRIDGE, CAL .50 AP M2 MG	WP1A	37	47.5	35.25	2097	35.9	20	4116/14E	1
A527	1305000286303	18.5	9.5	14.875		90	1.5	240	WDN BOX		CARTRIDGE, CAL .50 AP M2 LINKED	WP1A	37	47.5	50.125	2773	51	30	4116/14B	1
A527	1305000286304	18.5	9.5	14.875		92	1.5	240	WDN BOX		CARTRIDGE, CAL .50 AP M2 LINKED	WP1A	37	47.5	50.125	2833	51	30	4116/14B	1
A527	1305000286309	14.5	12.75	8.375		76	0.9	210	WBD BOX	7553347	CARTRIDGE, CALIBER .50 AP M2 LINKED AC	WP1	43.5	51	39	3742	50.1	48	4116/14	1
A527	1305000286312	18.5	9.5	14.875		100	1.5	265	WDN BOX		CARTRIDGE, CAL .50 AP M2 LINKED	WP1A	37	47.5	50.125	3073	51	30	4116/14B	1
A527	1305000963141	14.5	12.75	8.375		77	0.9	200	WBD BOX	12576456	CARTRIDGE, CALIBER .50 AP M2 LINKED AC	WP1	43.5	51	39	3790	50.1	48	4116/14	1
A528	1305000286305	18.5	9.5	14.875		92	1.5	240	WDN BOX		CARTRIDGE, CAL .50 AP M2 LINKED	WP1A	37	47.5	50.125	2833	51	30	4116/14B	1
A528	1305000286307	14.5	12.75	8.375		77	0.9	210	WBD BOX	7553347	CARTRIDGE, CALIBER .50 AP M2 LINKED MG	WP1	43.5	51	39	3790	50.1	48	4116/14	1
A528	1305000286313	18.5	9.5	14.875		100	1.5	265	WDN BOX		CARTRIDGE, CAL .50 AP M2 LINKED	WP1A	37	47.5	50.125	3073	51	30	4116/14B	1
A530	1305000286327	18.5	9.5	14.875		96	1.5	240	WDN BOX		CARTRIDGE, CAL .50 9 AP M2/1 TR M17 LINKED	WP1A	37	47.5	50.125	2953	51	30	4116/14B	1
A530	1305000286562	14.5	12.75	8.375		77	0.9	200	WBD BOX	7553347	CARTRIDGE, CALIBER .50 9 AP M2/1 TR M17 MG	WP1	43.5	51	39	3790	50.1	48		1
A531	1305000286447	14.25	10.125	7.875		42	0.7	120	WDN BOX		CARTRIDGE, CAL .50 API M8 AC	WP1	42.75	50.625	44.875	3239	56.2	75	4116/14C	1
A531	1305000286449	14.5	12.75	8.375		79	0.9	200	WBD BOX	7553347	CARTRIDGE, CALIBER .50 API M8 AC	WP1	43.5	51	39	3886	50.1	48	4116/14	1
A531	1305000286457	18.5	19.5	14.875		110	3.1	350	WDN BOX		CARTRIDGE, CAL .50 API M8 AC	WP1A	37	47.5	35.25	2043	35.9	20	4116/14E	1
A531	1305005557053	18.5	14.75	9.5		128.1	1.5	350	MK1		CARTRIDGE, .50 CAL API M8 SINGLE ROUND GRADE AC	WP1	40.625	48.25	20.5	1605	23.2	10	WR-55/154	1
A531	1305015827911	14.5	12.75	8.375		79	0.9	240	WBD BOX	12576456	CARTRIDGE, CALIBER .50 API M8 AC	WP1	43.5	51	39	3886	50.1	48	4116/14	1
A531	1305016592220	14.5	12.75	8.375		79	0.9	240	WBD BOX	12576456	CARTRIDGE, CALIBER .50 API M8 AC	WP1	43.5	51	39	3886	50.1	48	4116/14	1
A532	1305000286460	18.5	19.5	14.875		110	3.1	350	WDN BOX		CARTRIDGE, CAL .50 API M8 MG	WP1A	37	47.5	35.25	2043	35.9	20	4116/14E	1
A532	1305005685651	15.125	13.25	11.125		84	1.3	240	WDN BOX		CARTRIDGE, CAL .50 API-T (DETERIORATED) M20	WP1A	39.75	45.5	50	3089	52.3	36	4116/14A	1
A533	1305000286474	14.5	12.75	8.375		75	0.9	210	WBD BOX	7553347	CARTRIDGE, CALIBER .50 API M8 LINKED AC	WP1	43.5	51	39	3694	50.1	48	4116/14	1
A533	1305000286480	14.25	10.125	7.875		42	0.7	110	WDN BOX		CARTRIDGE, CAL .50 API M8 AC LINKED	WP1	42.75	50.625	44.875	3239	56.2	75	4116/14C	1
A533	1305000286588	15.125	13.25	11.125		83	1.3	224	WDN BOX		CARTRIDGE, CAL .50 API M8 AC LINKED	WP1A	39.75	45.5	50	3060	52.3	36	4116/14A	1
A533	1305000286590	15.125	13.25	11.125		83	1.3	220	WDN BOX		CARTRIDGE, CAL .50 API M8 AC LINKED	WP1A	39.75	45.5	50	3060	52.3	36	4116/14A	1
A533	1305000286592																			

DODIC	NSN	PACK LEN	PACK WID	PACK HGT	PACK DIA	PACK WGT	PACK CUBE	RDS/ PACK	PACKAGE TYPE	PACKAGE DRAWING #	NOMENCLATURE	BASE TYPE	UNIT LOAD LEN	UNIT LOAD WID	UNIT LOAD HGT	UNIT LOAD WGT	UNIT LOAD CUBE	PKG/ UNIT LOAD	UNIT LOAD DRAWING	SECT. 2 INDEX #
A541	1305000286492	18.5	19.5	14.875		109	3.1	350	WDN BOX		CARTRIDGE, CAL .50 API-T M20 AC	WP1A	37	47.5	35.25	2025	35.9	20 4116/14E	1	
A541	1305000286493	14.25	10.125	7.785		42	0.7	120	WDN BOX		CARTRIDGE, CAL .50 API-T M20 AC	WP1	42.75	50.625	44.875	3239	56.2	75 4116/14C	1	
A541	1305000286598	15.125	13.25	11.125		84	1.3	240	WDN BOX		CARTRIDGE, CAL .50 API-T M20 AC	WP1A	39.75	45.5	50	3089	52.3	36 4116/14A	1	
A541	1305005855194	14.5	12.75	8.375		79	0.9	240	WBD BOX	12576456	CARTRIDGE, CALIBER .50 API-T M20 AC	WP1	43.5	51	39	3886	50.1	48 4116/14	1	
A541	1305016592417	14.5	12.75	8.375		79	0.9	240	WBD BOX	12576456	CARTRIDGE, CALIBER .50 API-T M20 AC	WP1	43.5	51	39	3886	50.1	48 4116/14	1	
A542	1305000286495	14.75	10.125	7.785		42	0.7	120	WDN BOX		CARTRIDGE, CAL .50 API-T M20 MG	WP1	42.75	50.625	44.875	3239	56.2	75 4116/14C	1	
A542	1305005855195	18.25	9.5	14.75		126	1.5	390	MET BOX		CARTRIDGE, CAL .50 API-T M20 MG	WP1A	36.5	47.5	49.75	3853	49.9	30 4116/14L	1	
A543	1305000286496	14.75	10.125	7.785		45	0.7	110	WDN BOX		CARTRIDGE, CAL .50 API-T M20 LINKED	WP1	42.75	50.625	44.875	3464	56.2	75 4116/14C	1	
A543	1305000286600	15.125	13.25	11.125		83	1.3	224	WDN BOX		CARTRIDGE, CAL .50 API-T M20 LINKED	WP1A	39.75	45.5	50	3060	52.3	36 4116/14A	1	
A543	1305000286601	14.5	12.75	8.375		77	0.9	200	WBD BOX	7553347	CARTRIDGE, CALIBER .50 API-T M20 LINKED AC	WP1	43.5	51	39	3790	50.1	48 4116/14	1	
A544	1305003050910	15.125	13.1875	11.0625		83	1.2	220	WDN BOX	7553120	CARTRIDGE, .50 CAL API & T								999	
A545	1305005554057	14.5	12.75	8.375		77	0.9	200	WBD BOX	7553347	CARTRIDGE, CALIBER .50 API M8 LINKED AC	WP1	43.5	51	39	3790	50.1	48 4116/14	1	
A545	1305005554059	15.125	13.25	11.125		85	1.3	220	WDN BOX		CARTRIDGE, CAL .50 API M8 LINKED	WP1A	39.75	45.5	50	3132	52.3	36 4116/14A	1	
A546	1305005855368	14.5	12.75	8.375		77	0.9	200	WBD BOX	12576456	CARTRIDGE, CALIBER .50 BALL M2 LINKED AC	WP1	43.5	51	39	3790	50.1	48	1	
A547	1305000286458	14.5	12.75	8.375		84	0.9	210	WBD BOX		CARTRIDGE, CAL .50 1 API M8/1 INCENDIARY M1 LINKED	WP1	43.5	51	22.25	2102	28.6	24 4116/14D	1	
A547	1305000286483	14.25	10.125	7.785		44	0.7	110	WDN BOX		CARTRIDGE, CAL .50 1 API M8/1 INCENDIARY M1 LINKED	WP1	42.75	50.625	44.875	3389	56.2	75 4116/14C	1	
A547	1305000286596	15.125	13.25	11.125		84	1.3	224	WDN BOX		CARTRIDGE, CAL .50 1 API M8/1 INCENDIARY M1 LINKED	WP1A	39.75	45.5	50	3096	52.3	36 4116/14A	1	
A549	1305000286465	18.5	9.5	14.875		93	1.5	240	WBD BOX		CARTRIDGE, CAL .50 2 API M8/2 INCENDIARY M1/1 TR M1 LINKED	WP1A	37	47.5	50.125	2863	51	30 4116/14B	1	
A552	1305005855191	14.5	12.75	8.375		79	0.9	240	WBD BOX	12576456	CARTRIDGE, CALIBER .50 BALL M33 AC	WP1	43.5	51	39	3886	50.1	48 4116/14	1	
A552	1305015914851	14.5	12.75	8.375		79	0.9	240	WBD BOX	12576456	CARTRIDGE, CALIBER .50 BALL M33 AC	WP1	43.5	51	39	3886	50.1	48 4116/14	1	
A552	1305016626430	14.5	12.75	8.375		79	0.9	240	WBD BOX	12576456	CARTRIDGE, CALIBER .50 BALL M33 AC	WP1	43.5	51	39	3886	50.1	48 4116/14	1	
A553	1305000286335	18.5	9.5	14.875		112	1.5	350	WDN BOX	7690572	CARTRIDGE, .50 CAL BALL M2 GRADE MG	WP1A	37	47.5	50.125	3433	51	30 4116/14B	1	
A555	1305000286574	14.5	12.75	8.375		77	0.9	200	WBD BOX	12576456	CARTRIDGE, CALIBER .50 BALL M33 LINKED MG	WP1	43.5	51	39	3790	50.1	48 4116/14	1	
A555	1305015914838	14.5	12.75	8.375		77	0.9	200	WBD BOX	12576456	CARTRIDGE, CALIBER .50 BALL M33 LINKED MG	WP1	43.5	51	39	3790	50.1	48 4116/14	1	
A555	1305016582714	14.5	12.75	8.375		77	0.9	200	WBD BOX	12576456	CARTRIDGE, CALIBER .50 BALL M33 LINKED MG	WP1	43.5	51	39	3790	50.1	48 4116/14	1	
A557	1305000286583	14.5	12.75	8.375		77	0.9	200	WBD BOX	7553347	CARTRIDGE, CALIBER .50 4 BALL M33/1 TR M17 MG	WP1	43.5	51	39	3790	50.1	48	1	
A557	1305005041056	14.5	12.75	8.375		77	0.9	200	WBD BOX	7553347	CARTRIDGE, CALIBER .50 4 BALL M33/1 TR M17 MG	WP1	43.5	51	39	3790	50.1	48	1	
A557	1305013702594	14.5	12.75	8.375		77	0.9	200	WBD BOX	12576456	CARTRIDGE, CALIBER .50 4 BALL M33/1 TR M17 MG	WP1	43.5	51	39	3790	50.1	48 4116/14	1	
A557	1305015914857	14.5	12.75	8.375		77	0.9	200	WBD BOX	12576456	CARTRIDGE, CALIBER .50 4 BALL M33/1 TR M17 MG	WP1	43.5	51	39	3790	50.1	48 4116/14	1	
A557	1305016582580	14.5	12.75	8.375		77	0.9	200	WBD BOX	12576456	CARTRIDGE, CALIBER .50 4 BALL M33/1 TR M17 MG	WP1	43.5	51	39	3790	50.1	48 4116/14	1	
A558	1305000286377	18.5	9.5	14.875		121	1.5	450	WDN BOX		CARTRIDGE, CAL .50 BLANK M1	WP1A	37	47.5	50.125	3703	51	30 4116/14B	1	
A559	1305000286378	14.25	10.125	7.785		37	0.7	150	WDN BOX		CARTRIDGE, CAL .50 BLANK M1 LINKED	WP1	42.75	50.625	44.875	2864	56.2	75 4116/14C	1	
A559	1305000286379	18.5	9.5	14.875		121	1.5	450	WDN BOX		CARTRIDGE, CAL .50 BLANK M1 LINKED	WP1A	37	47.5	50.125	3703	51	30 4116/14B	1	
A560	1305000286381	14.5	12.75	8.375		66	0.9	180	WBD BOX	12576456	CARTRIDGE, CALIBER .50 DUMMY M2	WP1	43.5	51	39	3262	50.1	48 4116/14	1	
A560	1305000286383	14.5	12.75	8.375		60	0.9	240	WBD BOX	7553347	CARTRIDGE, CALIBER .50 DUMMY M2	WP1	43.5	51	39	2974	50.1	48 4116/14	1	
A560	1305000286384	14.5	12.75	8.375		79	0.9	240	WBD BOX	12576456	CARTRIDGE, CALIBER .50 DUMMY M2	WP1	43.5	51	39	3886	50.1	48 4116/14	1	
A564	1305000286594	15.125	13.25	11.125		83	1.3	224	WDN BOX		CARTRIDGE, CAL .50 INCENDIARY M1 LINKED	WP1A	39.75	45.5	50	3060	52.3	36 4116/14A	1	
A564	1305003050894	14.5	12.75	8.375		77	0.9	200	WBD BOX	7553347	CARTRIDGE, CALIBER .50 INCENDIARY M23 LINKED	WP1	43.5	51	39	3790	50.1	48 4116/14	1	
A570	1305000286437	18.5	19.5	14.875		110	3.1	350	WDN BOX		CARTRIDGE, CAL .50 TRACER M10	WP1A	37	47.5	35.25	2043	35.9	20 4116/14E	1	
A570	1305005855189	14.5	12.75	8.375		79	0.9	240	WBD BOX	7553347	CARTRIDGE, CALIBER .50 TRACER M17 AC	WP1	43.5	51	39	3886	50.1	48	1	
A571	1305005855188	14.5	12.75	8.375		79	0.9	240	WBD BOX	12576456	CARTRIDGE, CALIBER .50 TRACER M17 MG	WP1	43.5	51	39	3886	50.1	48 4116/14	1	
A572	1305000286609	14.5	12.75	8.375		77	0.9	200	WBD BOX	7553347	CARTRIDGE, CALIBER .50 TRACER M17 LINKED AC	WP1	43.5	51	39	3790	50.1	48 4116/14	1	
A573	1305000286610	14.5	12.75	8.375		75	0.9	210	WBD BOX	7553347	CARTRIDGE, CALIBER .50 TRACER M17 LINKED MG	WP1	43.5	51	39	3694	50.1	48	1	
A574	1305000286611	14.5	12.75	8.375		70	0.9	200	WBD BOX	7553347	CARTRIDGE, CALIBER .50 SPOTTER TRACER M48	WP1	43.5	51	39	3454	50.1	48	1	
A574	1305005546745	14.5	12.75	8.375		76	0.9	220	WBD BOX	7553347	CARTRIDGE, CALIBER .50 SPOTTER TRACER M48A1	WP1	43.5	51	39	3742	50.1	48	1	
A574	1305009356067	14.5	12.75	8.375		77	0.9	220	WBD BOX	7553347	CARTRIDGE, CALIBER .50 SPOTTER TRACER M48A2	WP1	43.5	51	39	3790	50.1	48 4116/14	1	
A575	1305000286290	18.5	9.5	14.875		126	1.5	350	WDN BOX		CARTRIDGE, CAL .50 HPT M1	WP1A	37	47.5	50.125	3853	51	30 4116/14B	1	
A575	1305000286292	14.25	10.125	7.785		49	0.7	120	WDN BOX		CARTRIDGE, CAL .50 HPT M1	WP1	42.75	50.625	44.875	3764	56.2	75 4116/14M	1	
A575	1305001263852	14.5	12.75	8.375		75	0.9	180	WBD BOX	12576456	CARTRIDGE, CALIBER .50 HPT M1	WP1	43.5	51	39	3694	50.1	48 4116/14	1	
A575	1305015572988	14.5	12.75	8.375		79	0.9	240	WBD BOX	12576456	CARTRIDGE, CALIBER .50 HIGH PRESSURE M1 BULK PACKED	WP1	43.5	51	39	3886	50.1	48 4116/14	1	
A576	1305000038803	14.44	12.53	8.12		77.1	0.9	200	WBD BOX	12576456	CARTRIDGE, CAL .50 4 API M8/1 API-T M20 LINKED	MK3 MP	44	51	38.75	3869	50.3	48 6214235	1	
A576	1305000286490	14.5	12.75	8.375		77	0.9	210	WBD BOX		CARTRIDGE, CAL .50 4 API M8/1 API-T M20 LINKED	WP1	43.5	51	22.25	1934	28.6	24 4116/14D	1	
A576	1305000286603	14.5	12.75	8.375		77	0.9	200	WBD BOX	12576456	CARTRIDGE, CALIBER .50 4 API M8/1 API-T M20 AC	WP1	43.5	51	39	3790	50.1	48 4116/14	1	
A576	1305016592421	14.5	12.75	8.375		77	0.9	200	WBD BOX	12576456	CARTRIDGE, CALIBER .50 4 API M8/1 API-T M20 AC	WP1	43.5	51	39	3790	50.1	48 4116/14	1	
A577	1305000286604	14.5	12.75	8.375		77	0.9	200	WBD BOX	12576456	CARTRIDGE, CALIBER .50 4 API M8/1 API-T M20 MG	WP1	43.5	51	39	3790	50.1	48 4116/14	1	
A577	1305000286605	15.125	13.25	11.125		83	1.3	224	WDN BOX		CARTRIDGE, CAL .50 4 API M8/1 API-T M20 LINKED	WP1A	39.75	45.5	50	3060	52.3	36 4116/14A	1	
A580	1305000286414	18.5	19.5	14.875		113	3.1	350	WDN BOX		CARTRIDGE, CAL .50 TRACER (DETERIORATED) M1	WP1A	37	47.5	35.25	2079	35.9	20 4116/14E	1	
A584	1305005554056	14.5	12.75	8.375		77	0.9	200	WBD BOX	7553347	CARTRIDGE, CALIBER .50 BALL M33 LINKED AC	WP1	43.5	51	39	3790	50.1	48	1	
A585	1305006182400	14.5	12.75	8.375		77	0.9	200	WBD BOX	12576456	CARTRIDGE, CALIBER .50 API-T M20 LINKED AC	WP1	43.5	51	39	3790	50.1	48 4116/14	1	
A585	1305016592202	14.5	12.75	8.375		77	0.9	200	WBD BOX	12576456	CARTRIDGE, CALIBER .50 API-T M20 LINKED AC	WP1	43.5	51	39	3790	50.1	48 4116/14	1	
A586	1305006182399	14.5	12.75	8.375		75	0.9	200	WBD BOX	7553347	CARTRIDGE, CALIBER .50 TRACER M17 LINKED AC	WP1	43.5	51	39	3694	50.1	48	1	
A587	1305005851667	14.5	12.75	8.375		77	0.9	200	WBD BOX	75										

DODIC	NSN	PACK LEN	PACK WID	PACK HGT	PACK DIA	PACK WGT	PACK CUBE	RDS/PACK	PACKAGE TYPE	PACKAGE DRAWING #	NOMENCLATURE	BASE TYPE	UNIT LOAD LEN	UNIT LOAD WID	UNIT LOAD HGT	UNIT LOAD WGT	UNIT LOAD CUBE	PKG/UNIT LOAD	UNIT LOAD DRAWING	SECT. 2 INDEX #
A595	1305011277870	14.5	12.75	8.375		32	0.9	200	WBD BOX	12576456	CARTRIDGE, CALIBER .50 TP-T M860 LINKED	WP1	43.5	51	39	1630	50.1	48 4116/14	1	
A598	1305010784879	14.5	12.75	8.375		77	0.9	200	WBD BOX	12576456	CARTRIDGE, CALIBER .50 BLANK M1A1 LINKED	WP1	43.5	51	39	3790	50.1	48 4116/14	1	
A599	1305010855118	14.5	12.75	8.375		69	0.9	170	WBD BOX	12576456	CARTRIDGE, CALIBER .50 BLANK M1E1 LINKED	WP1	43.5	51	39	3406	50.1	48 4116/14	1	
A602	1305011266201	14.5	12.75	8.375		32	0.9	200	WBD BOX	7553347	CARTRIDGE, CALIBER .50 4 SR TNG BALL M858/1 SR TNG TRACER M860	WP1	43.5	51	39	1630	50.1	48 4116/14	1	
A603	1305011266200	14.5	12.75	8.375		32	0.9	200	WBD BOX	12576456	CARTRIDGE, CALIBER .50 SR TNG BALL M858	WP1	43.5	51	39	1630	50.1	48	48	1
A605	1305009352109	14.5	12.75	8.375		69	0.9	170	WBD BOX	12576456	CARTRIDGE, CALIBER .50 BALL M33 LINKED MG	WP1	43.5	51	39	3406	50.1	48 4116/14	1	
A606	1305012508162	14.5	12.75	8.375		79	0.9	240	WBD BOX	6086224	CARTRIDGE, CAL .50 API MK211-F/SNIPER RIFLE	MK3	44	51	38.75	3960	50.3	48 6214235	1	
A606	1305016716605	14.5	12.75	8.375		79	0.9	240	WBD BOX	12576456	CARTRIDGE, CALIBER .50 API MK211 MOD 0	WP1	43.5	51	39	3886	50.1	48 4116/14	1	
A607	1305012496888	14.5	12.75	8.375		77	0.9	200	WBD BOX	12576456	CARTRIDGE, CALIBER .50 4 API MK211/1 API-T M20	WP1	43.5	51	39	3790	50.1	48 4116/14	1	
A607	1305016719952	14.5	12.75	8.375		77	0.9	200	WBD BOX	12576456	CARTRIDGE, CALIBER .50 4 API MK211 MOD 0 OR MOD 1/1 API-T M20	WP1	43.5	51	39	3790	50.1	48 4116/14	1	
A621	1305000286582	14.5	12.75	8.375		77	0.9	200	WBD BOX	7553347	CARTRIDGE, CALIBER .50 4 BALL M33/1 TR M17	WP1	43.5	51	39	3790	50.1	48	48	1
A641	1305000963180	18.75	11.25	10		53	1.2	1000	WDN BOX		LINK, CAL .50 CARTRIDGE METALLIC BELT	WP1A	37.5	50	50.5	2193	54.8	40 4116/14J	1	
A651	1305005223700	18.5937	8.2969	14.5937		146	1.3	200	M548		CARTRIDGE, 20MM TP-T M220 SINGLE RD	WP1	40.1875	49.75	34.6875	3647	40.2	24 4116/15C	1	
A651	1305007852829	18.5937	8.2969	14.5937		146	1.3	200	M548		CARTRIDGE, 20MM TP-T M220 SINGLE RD	WP1	40.1875	49.75	34.6875	3647	40.2	24 4116/15C	1	
A651	1305011189930	18.5937	8.2969	14.5937		166	1.3	200	M548		CARTRIDGE, 20MM TP-T M220 SINGLE RD	WP1	40.1875	49.75	34.6875	4000	40.2	23 4116/15C	1	
A652	1305001574886	18.5937	8.2969	14.5937		92	1.3	100	M548	7258943	CARTRIDGE, 20MM TP-T M220 LINKED	WP1	40.5	49.75	34.5	2346	40.2	24 4116/15A	1	
A652	1305005223701	18.5937	8.2969	14.5937		92	1.3	100	M548	7258943	CARTRIDGE, 20MM TP-T M220 LINKED	WP1	40.5	49.75	34.5	2346	40.2	24 4116/15A	1	
A652	1305007852848	18.5937	8.2969	14.5937		92	1.3	100	M548	7258943	CARTRIDGE, 20MM TP-T M220 LINKED	WP1	40.5	49.75	34.5	2346	40.2	24 4116/15A	1	
A653	1305001437034	18.5937	8.2969	14.5937		92	1.3	100	M548	7258943	CARTRIDGE, 20MM 4 HEI M56A2/1 TP-T M220 LINKED	WP1	40.5	49.75	34.5	2346	40.2	24 4116/15A	1	
A653	1305009356188	18.5937	8.2969	14.5937		92	1.3	100	M548	7258943	CARTRIDGE, 20MM 4 HEI M56A2/1 TP-T M220 LINKED	WP1	40.5	49.75	34.5	2346	40.2	24 4116/15A	1	
A653	1305011352582	18.5937	8.2969	14.5937		92	1.3	100	M548	7258943	CARTRIDGE, 20MM 4 HEI M56A2/1 TP-T M220 LINKED	WP1	40.5	49.75	34.5	2346	40.2	24 4116/15A	1	
A654	1305000788220	18.5937	8.2969	14.5937		92	1.3	100	M548	7258943	CARTRIDGE, 20MM 7 TP M55A2/1 TP-T M220 LINKED	WP1	40.5	49.75	34.5	2346	40.2	24 4116/15A	1	
A655	1305001523660	18.5937	8.2969	14.5937		80	1.3	100	M548		CARTRIDGE, 20MM 7 HEI M56A3/1 TP-T M220 LINKED	WP1	40.5	49.75	34.5	2055	40.2	24 4116/15B	1	
A655	1305005223707	18.5937	8.2969	14.5937		94	1.3	100	M548		CARTRIDGE, 20MM 7 HEI M56A3/1 TP-T M220 LINKED	WP1	40.5	49.75	34.5	2391	40.2	24 4116/15B	1	
A655	1305009264058	18.5937	8.2969	14.5937		92	1.3	100	M548	7258943	CARTRIDGE, 20MM 7 HEI M56A3/1 TP-T M220 LINKED	WP1	40.5	49.75	34.5	2346	40.2	24 4116/15A	1	
A655	1305011163932	18.5937	8.2969	14.5937		87	1.3	100	M548	7258943	CARTRIDGE, 20MM 7 HEI M56A4/1 TP-T M220 LINKED	WP1	40.5	49.75	34.5	2226	40.2	24 4116/15A	1	
A656	1305009264059	18.5937	8.2969	14.5937		92	1.3	100	M548		CARTRIDGE, 20MM 7 TP M55A2/1 TP-T M220 LINKED	WP1	40.5	49.75	34.5	2344	40.2	24 4116/15B	1	
A656	1305001523662	18.5937	8.2969	14.5937		92	1.3	100	M548	7258943	CARTRIDGE, 20MM 7 HEI M56A3/1 HEI-T M242 LINKED	WP1	40.5	49.75	34.5	2346	40.2	24 4116/15A	1	
A658	1305007835482	18.5937	8.2969	14.5937		92	1.3	100	M548	7258943	CARTRIDGE, 20MM 7 HEI M56A3/1 HEI-T M242 LINKED	WP1	40.5	49.75	34.5	2346	40.2	24 4116/15A	1	
A658	1305011163928	18.5937	8.2969	14.5937		87	1.3	100	M548	7258943	CARTRIDGE, 20MM 7 HEI M56A4/1 HEI-T M242/A1 LINKED	WP1	40.5	49.75	34.5	2226	40.2	24 4116/15A	1	
A659	1305009356171	18.5937	8.2969	14.5937		160	1.3	200	M548		CARTRIDGE, 20MM HEI-T M242 SINGLE RD	WP1	40.1875	49.75	34.6875	3983	40.2	24 4116/15C	1	
A659	1305011189929	18.5937	8.2969	14.5937		160	1.3	250	M548		CARTRIDGE, 20MM HEI-T M242A1 SINGLE RD	WP1	40.1875	49.75	34.6875	4000	40.2	24 4116/15C	1	
A660	1305001691880	18.5937	8.2969	14.5937		92	1.3	100	M548	7258943	CARTRIDGE, 20MM 3 HEI M56A3/1 API M53 LINKED	WP1	40.5	49.75	34.5	2346	40.2	24 4116/15A	1	
A660	1305011163926	18.5937	8.2969	14.5937		87	1.3	100	M548	7258943	CARTRIDGE, 20MM 3 HEI M56A4/1 API M53 LINKED	WP1	40.5	49.75	34.5	2226	40.2	24 4116/15A	1	
A663	1305001823157	18.5937	8.2969	14.5937		92	1.3	100	M548	7258943	CARTRIDGE, 20MM 9 HEI M56A3/1 HEI-T M242 LINKED	WP1	40.5	49.75	34.5	2346	40.2	24 4116/15A	1	
A663	1305011163934	18.5937	8.2969	14.5937		87	1.3	100	M548	7258943	CARTRIDGE, 20MM 9 HEI M56A4/1 HEI-T M242A1 LINKED	WP1	40.5	49.75	34.5	2226	40.2	24 4116/15A	1	
A664	1305001823158	18.5937	8.2969	14.5937		92	1.3	100	M548	7258943	CARTRIDGE, 20MM 9 TP M55A2/1 TP-T M220 LINKED	WP1	40.5	49.75	34.5	2346	40.2	24 4116/15A	1	
A665	1305001823250	18.5937	8.2969	14.5937		92	1.3	100	M548	7258943	CARTRIDGE, 20MM 4 HEI M56A3/1 HEI-T M242 LINKED	WP1	40.5	49.75	34.5	2346	40.2	24 4116/15A	1	
A665	1305011169529	18.5937	8.2969	14.5937		92	1.3	100	M548	7258943	CARTRIDGE, 20MM 4 HEI M56A4/1 HEI-T M242A1 LINKED	WP1	40.5	49.75	34.5	2346	40.2	24 4116/15A	1	
A666	1305011163927	18.5937	8.2969	14.5937		87	1.3	100	M548	7258943	CARTRIDGE, 20MM 10 HEI M56A4/1 HEI-T M242A1 LINKED	WP1	40.5	49.75	34.5	2226	40.2	24 4116/15A	1	
A672	1305012529814	18.5937	8.2969	14.5937		92	1.3	150	M548		CARTRIDGE, 20MM 4 TP M204/1 AP-T M95 LINKED	WP1	40.5	49.75	34.5	2344	40.2	24 4116/15B	1	
A680	1305003345920	23	21.75	13.375		120	3.9	100	WBD BOX		CARTRIDGE, 22MM SUB CAL PRACTICE M744 CHG 1 F/81MM	WP1B	43.5	53.5	51.5	2020	69.4	16 4116/16A	1	
A680	1305010821718	14.5	12.5	8.125		63	0.9	40	WBD BOX		CARTRIDGE, 22MM SUB CAL PRACTICE M744 CHG 1 F/81MM	WP1	43.5	51	30.625	2357	39.3	36 4116/16	1	
A681	1305003345922	23	21.75	13.375		120	3.9	100	WBD BOX		CARTRIDGE, 22MM SUB CAL PRACTICE M745 CHG 2 F/81MM	WP1B	43.5	53.5	51.5	2020	69.4	16 4116/16A	1	
A681	1305010821719	14.5	12.5	8.125		63	0.9	40	WBD BOX		CARTRIDGE, 22MM SUB CAL PRACTICE M745 CHG 2 F/81MM	WP1	43.5	51	30.625	2357	39.3	36 4116/16	1	
A682	1305003345934	23	21.75	13.375		120	3.9	100	WBD BOX		CARTRIDGE, 22MM SUB CAL PRACTICE M746 CHG 3 F/81MM	WP1B	43.5	53.5	51.5	2020	69.4	16 4116/16A	1	
A682	1305010821720	14.5	12.5	8.125		63	0.9	40	WBD BOX		CARTRIDGE, 22MM SUB CAL PRACTICE M746 CHG 3 F/81MM	WP1	43.5	51	30.625	2357	39.3	36 4116/16	1	
A683	1305003345935	23	21.75	13.375		120	3.9	100	WBD BOX		CARTRIDGE, 22MM SUB CAL PRACTICE M747 CHG 4 F/81MM	WP1B	43.5	53.5	51.5	2020	69.4	16 4116/16A	1	
A683	1305010824111	14.5	12.5	8.125		63	0.9	40	WBD BOX		CARTRIDGE, 22MM SUB CAL PRACTICE M747 CHG 4 F/81MM	WP1	43.5	51	30.625	2357	39.3	36 4116/16	1	
A685	1305011755295	20.125	20.125	11.75		120	2.8	100	FB BOX		CARTRIDGE, 22MM SUB CAL PRACTICE M891 CHG 2 F/4.2 IN	FBPBX	42	53	47.75	2085	61.5	16 4169/15	4	
A685	1305011755295	20.125	20.125	11.75		120	2.8	100	FB BOX		CARTRIDGE, 22MM SUB CAL PRACTICE M891 CHG 2 F/4.2 IN	WBFBX	41	47.75	47.25	2076	53.5	16 4169/15	4	
A686	1305011755296	20.125	20.125	11.75		120	2.8	100	FB BOX		CARTRIDGE, 22MM SUB CAL PRACTICE M892 CHG 3 F/4.2 IN	WBFBX	41	47.75	47.25	2076	53.5	16 4169/15	4	
A686	1305011755296	20.125	20.125	11.75		120	2.8	100	FB BOX		CARTRIDGE, 22MM SUB CAL PRACTICE M892 CHG 3 F/4.2 IN	FBPBX	42	53	47.75	2085	61.5	16 4169/15	4	
A687	1305011755297	20.125	20.125	11.75		120	2.8	100	FB BOX		CARTRIDGE, 22MM SUB CAL PRACTICE M893 CHG 4 F/4.2 IN	WBFBX	41	47.75	47.25	2076	53.5	16 4169/15	4	
A687	1305011755297	20.125	20.125	11.75		120	2.8	100	FB BOX		CARTRIDGE, 22MM SUB CAL PRACTICE M893 CHG 4 F/4.2 IN	FBPBX	42	53	47.75	2085	61.5	16 4169/15	4	
A688	1305011755298	20.125	20.125	11.75		120	2.8	100	FB BOX		CARTRIDGE, 22MM SUB CAL PRACTICE M894 CHG 5 F/4.2 IN	WBFBX	41	47.75	47.25	2076	53.5	16 4169/15	4	
A688	1305011755298	20.125	20.125	11.75		120	2.8	100	FB BOX		CARTRIDGE, 22MM SUB CAL PRACTICE M894 CHG 5 F/4.2 IN	FBPBX	42	53	47.75	2085	61.5	16 4169/15	4	
A691	1305011757771	20.125	20.125	11.75		120	2.8	100	FB BOX		CARTRIDGE, 22MM SUB CAL PRACTICE M897 CHG 8 F/4.2 IN	FBPBX	42	53	47.75	2085</				

DODIC	NSN	PACK LEN	PACK WID	PACK HGT	PACK DIA	PACK WGT	PACK CUBE	RDS/ PACK	PACKAGE TYPE	PACKAGE DRAWING #	NOMENCLATURE	BASE TYPE	UNIT LOAD LEN	UNIT LOAD WID	UNIT LOAD HGT	UNIT LOAD WGT	UNIT LOAD CUBE	PKG/ UNIT LOAD	UNIT LOAD DRAWING	SECT. 2 INDEX #
A770	1305000284547	18.63	9.63	15.13		106	1.6	120	MK1		CARTRIDGE, 20MM 2 HEI LINKED	MK12MP	37	47.5	34.875	2230	35.5	20	WR-54/11	1
A775	1305000284544	18.13	13.25	10.38		93	1.4	120	WDN BOX		CARTRIDGE, 20MM HEI M97	MK3 MP	40.5	50.5	30.25	1965	35.8	20	WR-53/30	1
A775	1305000284545	17.7	13.3	10.4		106	1.4	150	WDN BOX		CARTRIDGE, 20MM HEI M97	WP1	40.25	54.375	46.875	3916	58.3	36	WR-53/846	1
A775	1305000284546	18.7	9.7	15.2		131	1.6	165	MK1		CARTRIDGE, 20MM HEI M97	MK12MP	37	47.5	34.875	2730	35.5	20	WR-54/11	1
A776	1305000284555	18.2	13.3	40.4		96	1.5	120	WDN BOX		CARTRIDGE, 20MM INCENDIARY M96	MK3 MP	40.5	50.5	30.25	2025	35.8	20	WR-53/30	1
A776	1305000284556	18.63	9.63	15.13		131	1.6	165	MK1		CARTRIDGE, 20MM INCENDIARY M96	MK12MP	37	47.5	34.875	2730	35.5	20	WR-54/11	1
A777	1305000284559	18.2	13.3	10.4		95	1.5	120	WDN BOX		CARTRIDGE, 20MM TP M99	WP1	40.25	54.375	46.875	3520	58.3	36	WR-53/846	1
A777	1305000284561	18.63	9.63	15.13		131	1.6	165	MK1		CARTRIDGE, 20MM TP M99	MK12MP	37	47.5	34.875	2730	35.5	20	WR-53/29	1
A777	1305009356160	18.5937	8.2969	14.5937		96	1.3	100	M548		CARTRIDGE, 20MM TP M99A1	WP1	40.5	49.75	34.5	2437	40.2	24	4116/15B	1
A781	1305001574616	18.5937	8.2969	14.5937		92	1.3	100	M548	7258943	CARTRIDGE, 20MM DUMMY M51A2 LINKED	WP1	40.5	49.75	34.5	2346	40.2	24	4116/15A	1
A781	1305009351964	18.5937	8.2969	14.5937		92	1.3	100	M548	7258943	CARTRIDGE, 20MM DUMMY M51A2 LINKED	WP1	40.5	49.75	34.5	2346	40.2	24	4116/15A	1
A781	1305013285877	18.5937	8.2969	14.5937		92	1.3	100	M548	7258943	CARTRIDGE, 20MM DUMMY M51A2 LINKED	WP1	40.5	49.75	34.5	2346	40.2	24	4116/15A	1
A786	1305009263943	18.5937	8.2969	14.5937		92	1.3	100	M548	7258943	CARTRIDGE, 20MM API-T M601 SINGLE RD	WP1	40.5	49.75	34.5	2346	40.2	24	4116/15A	1
A789	1305009263946	16.75	10.25	9.125		70	0.9	50	WBD BOX		CARTRIDGE, 20MM 2 API-T M601/3 HEI-T M599 LINKED RHF	WP1	41	50.25	42	3451	50.1	48	4116/15	1
A791	1305009269278	18.5937	8.2969	14.5937		160	1.3	200	M548		CARTRIDGE, 20MM HEI-T M246 SINGLE RD	WP1	40.1875	49.75	34.6875	3983	40.2	24	4116/15C	1
A792	1305001523659	18.5937	8.2969	14.5937		92	1.3	100	M548	7258943	CARTRIDGE, 20MM HEI-T M246 LINKED RHF	WP1	40.5	49.75	34.5	2346	40.2	24	4116/15A	1
A792	1305004011536	18.5937	8.2969	14.5937		92	1.3	100	M548	7258943	CARTRIDGE, 20MM HEI-T M246 LINKED RHF	WP1	40.5	49.75	34.5	2346	40.2	24	4116/15A	1
A792	1305009269279	18.5937	8.2969	14.5937		92	1.3	100	M548	7258943	CARTRIDGE, 20MM HEI-T M246 LINKED RHF	WP1	40.5	49.75	34.5	2346	40.2	24	4116/15A	1
A792	1305011163924	18.5937	8.2969	14.5937		87	1.3	100	M548	7258943	CARTRIDGE, 20MM HEI-T M246A1 LINKED RHF	WP1	40.5	49.75	34.5	2226	40.2	24	4116/15A	1
A792	1305011163925	18.5937	8.2969	14.5937		87	1.3	100	M548	7258943	CARTRIDGE, 20MM HEI-T M246A1 LINKED RHF	WP1	40.5	49.75	34.5	2226	40.2	24	4116/15A	1
A796	1305001436922	18.5937	8.2969	14.5937		92	1.3	100	M548	7258943	CARTRIDGE, 20MM 7 HEI M56A3/1 HEI-T-S0 M246 LINKED	WP1	40.5	49.75	34.5	2346	40.2	24	4116/15A	1
A813	1305001437050	18.5937	8.2969	14.5937		160	1.3	150	M548		CARTRIDGE, 20MM 2 AP-T M95/2 INC M96 LINKED RHF	WP1	40.1875	49.75	34.6875	3983	40.2	24	4116/15C	1
A814	1305001437049	18.5937	8.2969	14.5937		110	1.3	150	M548		CARTRIDGE, 20MM 2 AP-T M95/2 INC M96 LINKED LHF	WP1	40.1875	49.75	34.6875	2782	40.2	24	4116/15C	1
A818	1305011197862	18.5937	8.2969	14.5937		92	1.3	100	M548	7258943	CARTRIDGE, 20MM 7 HEI M56A4/1 HEI-T M242A1 LINKED	WP1	40.5	49.75	34.5	2346	40.2	24	4116/15A	1
A834	1305001809271	18.5937	8.2969	14.5937		110	1.3	150	M548		CARTRIDGE, 20MM 1 AP-T M95/2 HEI M210/2 INCENDIARY M96 LHF	WP1	40.1875	49.75	34.6875	2782	40.2	24	4116/15C	1
A835	1305001437176	18.5937	8.2969	14.5937		110	1.3	150	M548		CARTRIDGE, 20MM 2 HEI M210/3 INCENDIARY M96 RHF	WP1	40.1875	49.75	34.6875	2782	40.2	24	4116/15C	1
A846	1305001437167	18.5937	8.2969	14.5937		110	1.3	150	M548		CARTRIDGE, 20MM INCENDIARY M96 LINKED RHF	WP1	40.1875	49.75	34.6875	2782	40.2	24	4116/15C	1
A846	1305001437168	18.5937	8.2969	14.5937		110	1.3	150	M548		CARTRIDGE, 20MM INCENDIARY M96 LINKED LHF	WP1	40.1875	49.75	34.6875	2782	40.2	24	4116/15C	1
A852	1305001445527	18.5937	8.2969	14.5937		92	1.3	100	M548	7258943	CARTRIDGE, 20MM HEI M56A3 LINKED RHF	WP1	40.5	49.75	34.5	2346	40.2	24	4116/15A	1
A852	1305009356059	18.5937	8.2969	14.5937		93	1.3	100	M548		CARTRIDGE, 20MM HEI M56A3 LINKED RHF	WP1	40.5	49.75	34.5	2365	40.2	24	4116/15B	1
A852	1305011163933	18.5937	8.2969	14.5937		87	1.3	100	M548	7258943	CARTRIDGE, 20MM HEI M56A3 LINKED RHF	WP1	40.5	49.75	34.5	2226	40.2	24	4116/15A	1
A875	1305001698805	18.5937	8.2969	14.5937		92	1.3	100	M548	7258943	CARTRIDGE, 20MM API-T LC-21-C LINKED RHF	WP1	40.5	49.75	34.5	2346	40.2	24	4116/15A	1
A884	1305003011589	18.5937	8.2969	14.5937		92	1.3	100	M548	7258943	CARTRIDGE, 20MM API T221E2 LINKED	WP1	40.5	49.75	34.5	2346	40.2	24	4116/15A	1
A884	1305008503986	18.5937	8.2969	14.5937		92	1.3	100	M548	7258943	CARTRIDGE, 20MM API M53 LINKED	WP1	40.5	49.75	34.5	2346	40.2	24	4116/15A	1
A889	1305007561675	18.5937	8.2969	14.5937		95	1.3	100	M548		CARTRIDGE, 20MM TP M55A2 LINKED	WP1	40.5	49.75	34.5	2413	40.2	24	4116/15B	1
A890	1305009359104	18.5937	8.2969	14.5937		160	1.3	200	M548		CARTRIDGE, 20MM HEI M56A3	WP1	40.1875	49.75	34.6875	3983	40.2	24	4116/15C	1
A890	1305011163931	18.5937	8.2969	14.5937		166	1.3	250	M548		CARTRIDGE, 20MM HEI M56A3	WP1	40.1875	49.75	34.6875	4000	40.2	23	4116/15C	1
A890	1305011189928	18.5937	8.2969	14.5937		166	1.3	250	M548		CARTRIDGE, 20MM HEI M56A4	WP1	40.1875	49.75	34.6875	4000	40.2	23	4116/15C	1
A891	1305007528114	18.5937	8.2969	14.5937		144	1.3	200	M548		CARTRIDGE, 20MM TP M55A2	WP1	40.1875	49.75	34.6875	3599	40.2	24	4116/15C	1
A891	1305011164560	18.5937	8.2969	14.5937		166	1.3	250	M548		CARTRIDGE, 20MM TP M55A2	WP1	40.1875	49.75	34.6875	4000	40.2	23	4116/15C	1
A892	1305009352019	18.5937	8.2969	14.5937		150	1.3	170	M548		CARTRIDGE, 20MM HPT M54A1	WP1	40.1875	49.75	34.6875	3743	40.2	24	4116/15C	1
A892	1305011163930	18.5937	8.2969	14.5937		166	1.3	250	M548		CARTRIDGE, 20MM HPT M54A1	WP1	40.1875	49.75	34.6875	4000	40.2	23	4116/15C	1
A894	1305001445455	18.5937	8.2969	14.5937		92	1.3	100	M548	7258943	CARTRIDGE, 20MM TP M55A2 LINKED	WP1	40.5	49.75	34.5	2346	40.2	24	4116/15A	1
A894	1305008922161	18.5937	8.2969	14.5937		92	1.3	100	M548	7258943	CARTRIDGE, 20MM TP M55A2 LINKED	WP1	40.5	49.75	34.5	2346	40.2	24	4116/15A	1
A894	1305009356060	18.5937	8.2969	14.5937		92	1.3	100	M548	7258943	CARTRIDGE, 20MM TP M55A2 LINKED	WP1	40.5	49.75	34.5	2346	40.2	24	4116/15A	1
A896	1305001691784	18.5937	8.2969	14.5937		92	1.3	100	M548	7258943	CARTRIDGE, 20MM 4 TP M55A2/1 TP-T M220 LINKED	WP1	40.5	49.75	34.5	2346	40.2	24	4116/15A	1
A896	1305009269421	18.5937	8.2969	14.5937		93	1.3	100	M548		CARTRIDGE, 20MM 4 TP M55A2/1 TP-T M220 LINKED	WP1	40.5	49.75	34.5	2365	40.2	24	4116/15B	1
A918	1305008494535	18.5937	8.2969	14.5937		92	1.3	100	M548	7258943	CARTRIDGE, 20MM API M53 LINKED	WP1	40.5	49.75	34.5	2346	40.2	24	4116/15A	1
A919	1305001823081	18.5937	8.2969	14.5937		92	1.3	100	M548	7258943	CARTRIDGE, 20MM HEI M56A3 LINKED	WP1	40.5	49.75	34.5	2346	40.2	24	4116/15A	1
A919	1305008503676	18.5937	8.2969	14.5937		92	1.3	100	M548	7258943	CARTRIDGE, 20MM HEI M56A2 LINKED	WP1	40.5	49.75	34.5	2346	40.2	24	4116/15A	1
A919	1305008924321	18.5937	8.2969	14.5937		92	1.3	100	M548	7258943	CARTRIDGE, 20MM HEI M56A3 LINKED	WP1	40.5	49.75	34.5	2346	40.2	24	4116/15A	1
A919	1305009650560	18.5937	8.2969	14.5937		92	1.3	100	M548	7258943	CARTRIDGE, 20MM HEI M56A3 LINKED	WP1	40.5	49.75	34.5	2346	40.2	24	4116/15A	1
A919	1305011196068	18.5937	8.2969	14.5937		92	1.3	100	M548	7258943	CARTRIDGE, 20MM HEI M56A4 LINKED	WP1	40.5	49.75	34.5	2346	40.2	24	4116/15A	1
A924	1305007998669	18.5937	8.2969	14.5937		160	1.3	200	M548		CARTRIDGE, 20MM DUMMY M51A1	WP1	40.1875	49.75	34.6875	3983	40.2	24	4116/15C	1
A924	1305009650794	18.5937	8.2969	14.5937		92	1.3	100	M548	7258943	CARTRIDGE, 20MM DUMMY M51A2	WP1	40.5	49.75	34.5	2346	40.2	24	4116/15A	1
A924	1305011163923	18.5937	8.2969	14.5937		166	1.3	250	M548		CARTRIDGE, 20MM DUMMY M51A2	WP1	40.1875	49.75	34.6875	4000	40.2	23	4116/15C	1
A926	1305001809268	18.5937	8.2969	14.5937		92	1.3	100	M548	7258943	CARTRIDGE, 20MM TP M55A2 LINKED	WP1	40.5	49.75	34.5	2346	40.2	24	4116/15A	1
A926	1305009650559	18.5937	8.2969	14.59																

DODIC	NSN	PACK LEN	PACK WID	PACK HGT	PACK DIA	PACK WGT	PACK CUBE	RDS/PACK	PACKAGE TYPE	PACKAGE DRAWING #	NOMENCLATURE	BASE TYPE	UNIT LOAD LEN	UNIT LOAD WID	UNIT LOAD HGT	UNIT LOAD WGT	UNIT LOAD CUBE	PKG/UNIT LOAD	UNIT LOAD DRAWING	SECT. 2 INDEX #
A967	1305011054095	31.5	11.25	12.25		100	2.5	50	WDN BOX		CARTRIDGE, 25MM DUMMY M794 LINKED	SK1	45	31.5	42.5	1241	34.9	12 4138/9	2	
A967	1305011054096	31.5	11.25	12.25		100	2.5	50	WDN BOX		CARTRIDGE, 25MM DUMMY M794 50/BELT	SK1	45	31.5	42.5	1241	34.9	12 4138/9	2	
A967	1305013560187	14.3125	5.75	13.875		55	0.6	30	PA125	12929427	CARTRIDGE, 25MM DUMMY M794 50/BELT	MP1	40.75	44.8125	33.625	2551	35.5	42 4232/17	109	
A967	1305013968360	14.3438	5.75	13.875		55	0.6	30	PA125	12929427	CARTRIDGE, 25MM DUMMY M794 LINKED	WP1	44.5313	51.75	33.25	3089	44.3	54 4116/17C	1	
A974	1305010920428	13.75	5.625	14.375		50	0.6	30	M621	12013668	CARTRIDGE, 25MM APDS-T M791 15/BELT	WP1B	43	53	21.375	1515	28.2	27 4116/17	1	
A974	1305010956014	31.5	11.25	12.25		100	2.5	50	WDN BOX		CARTRIDGE, 25MM APDS-T M791 LINKED	SK1	45	31.5	42.5	1241	34.9	12 4138/9	2	
A974	1305010956014	31.25	11.25	12		95	2.4	50	WDN BOX		CARTRIDGE, 25MM APDS-T M791 LINKED	WP1B	45	57	36.75	2000	54.6	20 4116/17A	1	
A974	1305013569838	14.3125	5.75	13.875		53	0.6	30	PA125	12929427	CARTRIDGE, 25MM APDS-T M791 LINKED	MP1	40.75	44.8125	33.625	2467	35.5	42 4232/17	109	
A974	1305013808960	18.625	10.625	14.625		99	1.7	55	CNU-405	986AS106	CARTRIDGE, 25MM APDS-T M791 LINKED	WP1B	42.125	53.125	34.75	2140	45	20 4116/17B	1	
A974	1305013967878	14.3438	5.75	13.875		53	0.6	30	PA125	12929427	CARTRIDGE, 25MM APDS-T M791 LINKED	WP1	44.5313	51.75	33.25	2981	44.3	54 4116/17C	1	
A975	1305010941035	13.75	5.625	14.375		50	0.6	30	M621	12013668	CARTRIDGE, 25MM HEI-T M792 LINKED	WP1B	43	53	21.375	1515	28.2	27 4116/17	1	
A975	1305010947016	31.5	11.25	12.25		100	2.5	50	WDN BOX		CARTRIDGE, 25MM HEI-T M792 LINKED	SK1	45	31.5	42.5	1241	34.9	12 4138/9	2	
A975	1305010947016	31.25	11.25	12		92	2.4	50	WDN BOX		CARTRIDGE, 25MM HEI-T M792 LINKED	WP1B	45	57	36.75	1941	54.6	20 4116/17A	1	
A975	1305011980507	31.25	11.25	12		80	2.4	50	WDN BOX		CARTRIDGE, 25MM HEI-T M792 50/BELT	WP1B	45	57	36.75	1371	54.6	20 4116/17A	1	
A975	1305013560188	14.3125	5.75	13.875		55	0.6	30	PA125	12929427	CARTRIDGE, 25MM HEI-T M792 LINKED	MP1	40.75	44.8125	33.625	2551	35.5	42 4232/17	109	
A975	1305013809884	18.625	10.625	14.625		99	1.7	55	CNU-405	986AS106	CARTRIDGE, 25MM HEI-T M792 LINKED	WP1B	42.125	53.125	34.75	2140	45	20 4116/17B	1	
A975	1305013983492	14.3438	5.75	13.875		55	0.6	30	PA125	12929427	CARTRIDGE, 25MM HEI-T M792 LINKED	WP1	44.5313	51.75	33.25	3089	44.3	54 4116/17C	1	
A976	1305010920429	13.75	5.625	14.375		50	0.6	30	M621	12013668	CARTRIDGE, 25MM TP-T M793 15/BELT	WP1B	43	53	21.375	1515	28.2	27 4116/17	1	
A976	1305010950248	31.25	11.25	12		80	2.4	50	WDN BOX		CARTRIDGE, 25MM TP-T M793 LINKED	WP1B	45	57	36.75	1701	54.6	20 4116/17A	1	
A976	1305010950248	31.5	11.25	12.25		100	2.5	50	WDN BOX		CARTRIDGE, 25MM TP-T M793 LINKED	SK1	45	31.5	42.5	1241	34.9	12 4138/9	2	
A976	1305013560189	14.3125	5.75	13.875		55	0.6	30	PA125	12929427	CARTRIDGE, 25MM TP-T M793 LINKED	MP1	40.75	44.8125	33.625	2551	35.5	42 4232/17	109	
A976	1305013805862	18.625	10.625	14.625		99	1.7	55	CNU-405	986AS106	CARTRIDGE, 25MM TP-T M793 LINKED	WP1B	42.125	53.125	34.75	2140	45	20 4116/17B	1	
A976	1305014003115	14.3438	5.75	13.875		55	0.6	30	PA125	12929427	CARTRIDGE, 25MM TP-T M793 LINKED	WP1	44.5313	51.75	33.25	3089	44.3	54 4116/17C	1	
A977	1305010945295	31.25	11.25	12		124	2.4	80	WDN BOX		CARTRIDGE, 25MM HPT M846	WP1B	45	57	36.75	2581	54.6	20 4116/17A	1	
A978	1305011363622	31.25	11.25	12		120	2.4	80	WDN BOX		CARTRIDGE, 25MM TP PGU-23/U	WP1B	45	57	36.75	2501	54.6	20 4116/17A	1	
A978	1305013907977	18.625	10.625	14.625		139	1.7	100	CNU-405	986AS106	CARTRIDGE, 25MM TP PGU-23/U	WP1B	42.125	53.125	34.75	2940	45	20 4116/17B	1	
A978	1305014324834	18.625	10.625	14.625		139	1.7	100	CNU-405	986AS106	CARTRIDGE, 25MM TP PGU-23/U	WP1B	42.125	53.125	34.75	2940	45	20 4116/17B	1	
A980	1305011363624	31.25	11.25	12		120	2.4	80	WDN BOX		CARTRIDGE, 25MM HEI PGU-22/U	WP1B	45	57	36.75	2501	54.6	20 4116/17A	1	
A982	1305012500100	31.25	11.25	12		120	2.4	80	WDN BOX		CARTRIDGE, 25MM HEI PGU-25A/U	WP1B	45	57	36.75	2501	54.6	20 4116/17A	1	
A982	1305013907978	18.625	10.625	14.625		139	1.7	100	CNU-405	986AS106	CARTRIDGE, 25MM HEI PGU-25/U	WP1B	42.125	53.125	34.75	2940	45	20 4116/17B	1	
A984	1305012979668	31.25	11.25	12		100	2.4	80	WDN BOX		CARTRIDGE, 25MM APDS-T M791	WP1B	45	57	36.75	2101	54.6	20 4116/17A	1	
A985	1305012991674	31.25	11.25	12		105	2.4	80	WDN BOX		CARTRIDGE, 25MM TP-T M793	WP1B	45	57	36.75	2201	54.6	20 4116/17A	1	
A986	1305013049977	13.75	5.625	14.375		50	0.6	30	M621	12013668	CARTRIDGE, 25MM APFSDS-T M919 LINKED	WP1B	43	53	21.375	1515	28.2	27 4116/17	1	
A986	1305013480192	14.3125	5.75	13.875		53	0.6	30	PA125	12929427	CARTRIDGE, 25MM APFSDS-T M919	MP1	40.75	44.8125	33.625	2551	35.5	42 4232/17	109	
A986	1305013968362	14.3438	5.75	13.875		53	0.6	30	PA125	12929427	CARTRIDGE, 25MM APFSDS-T M919 LINKED	WP1	44.5313	51.75	33.25	2981	44.3	54 4116/17C	1	
A987	1305013265425	31.25	11.25	12		125	2.4	80	WDN BOX		CARTRIDGE, 25MM APFSDS-T M919 LINKED	WP1B	45	57	36.75	2601	54.6	20 4116/17A	1	
A988	1305013257036	31.25	11.25	12		125	2.4	80	WDN BOX		CARTRIDGE, 25MM HEI-T M792 SINGLE RD	WP1B	45	57	36.75	2601	54.6	20 4116/17A	1	
A989	1305013338476	31.25	11.25	12		99	2.4	80	WDN BOX		CARTRIDGE, 25MM TP-T	WP1B	45	57	36.75	2081	54.6	20 4116/17A	1	
AA01	1305013937050	17	13.375	9.375		72.7	1.2	1600	WBD BOX	12590217-8	CARTRIDGE, 5.56MM AP M995 LINKED	WP1	40.125	51	43	2708	50.9	36 4116/5C	1	
AA02	1305013937052	17	13.375	9.375		73.2	1.2	1600	WBD BOX	12590217-9	CARTRIDGE, 5.56MM 4 AP M995/1 TR M856 LINKED	WP1	40.125	51	43	2726	50.9	36 4116/5C	1	
AA03	1305013981450	17.5	11.5	8.125		74	0.9	960	WBD BOX	12960962-20	CARTRIDGE, 7.62MM AP M993	WP1A	35	46	46.125	3265	43	40 4116/7	1	
AA04	1305013981449	17.5	11.5	8.125		77.8	0.9	800	WBD BOX	12960962-18	CARTRIDGE, 7.62MM 4 AP M993/1 TR M62 LINKED	WP1A	35	46	46.125	3185	43	40 4116/7	1	
AA06	1305014734774	14.5	12.75	8.375		77	0.9	200	WBD BOX	12576456	CARTRIDGE, CALIBER .50 1 API MK211/1 AP MK263/1 API M211/1 AP MK263/1 API-T M20	WP1	43.5	51	39	3790	50.1	48 4116/14	1	
AA06	1305016719944	14.5	12.75	8.375		77	0.9	200	WBD BOX	12576456	CARTRIDGE, CALIBER .50 1 API MK211/1 AP MK263/1 API M211/1 AP MK263/1 API-T M20	WP1	43.5	51	39	3790	50.1	48 4116/14	1	
AA08	1305014116098	17	13.375	9.375		47	1.2	1600	WBD BOX	12590217	CARTRIDGE, 5.56MM 4 BALL M855/1 DIM TR XM996 LINKED	WP1	40.125	51	43	1782	50.9	36 4116/5C	1	
AA09	1305014112993	14.4375	12.5313	8.125		62.4	0.9	1640	WBD BOX	12551963	CARTRIDGE, 5.56MM DIM TRACER M996	WP1	43.375	50.125	38	3090	47.8	48 4116/5	1	
AA11	1305014198202	14.5	12.75	8.375		73.5	0.9	920	WBD BOX	9362607-22	CARTRIDGE, 7.62MM NATO SPECIAL BALL M118	WP1	43.5	51	39	3622	50.1	48 4116/7A	1	
AA16	1305014428717	14.5	12.75	8.375		65	0.9	2000	WBD BOX		CARTRIDGE, 9MM FRANGIBLE, MK254 MOD 0	MK3 MP	44	51	38.75	3288	50.3	48 6214235	1	
AA22	1305014518675	18.625	8.25	14.5		166	1.3	250	M548	1696AS234	CARTRIDGE, 20MM SEMI-ARMOR PIERCING HIGH EXPLOSIVE INCENDIARY (SAPHEI) PGU-28A/B BULK ISSUE	MK3 MP	40.25	49.5	34.5	4144	40	24 6214082	1	
AA23	1305014518683	18.625	8.25	14.5		87	1.3	100	M548	1696AS234	CARTRIDGE, 20MM SEMI-ARMOR PIERCING HIGH EXPLOSIVE INCENDIARY (SAPHEI) PGU-28A/B LINKED	MK3 MP	40.25	49.5	34.5	2248	40	24 6214082	1	
AA24	1305014518566	18.625	8.25	14.5		166	1.3	250	M548	1696AS234	CARTRIDGE, 20MM TP PGU-27A/B BULK ISSUE	MK3 MP	40.25	49.5	34.5	4144	40	24 6214082	1	
AA25	1305014518592	18.625	8.25	14.5		166	1.3	100	M548	1696AS234	CARTRIDGE, 20MM TP PGU-27A/B LINKED	MK3 MP	40.25	49.5	34.5	4144	40	24 6214082	1	
AA26	1305014518665	18.625	8.25	14.5		87	1.3	100	M548	1696AS234	CARTRIDGE, 20MM LINKED 4 SAPHEI PGU-28A/B/1 TP-T PGU-30A/B	MK3 MP	40.25	49.5	34.5	2248	40	24 6214082	1	
AA27	1305014518659	18.625	8.25	14.5		166	1.3	100	M548	1696AS234	CARTRIDGE, 20MM LINKED 4 TP PGU-27A/B/1 TP-T PGU-30A/B	MK3 MP	40.25	49.5	34.5	4144	40	24 6214082	1	
AA28	1305014518574	18.625	8.25	14.5		166	1.3	250	M548	1696AS234	CARTRIDGE, 20MM TP-T PGU-30A/B BULK ISSUE	MK3 MP	40.25	49.5	34.5	4144	40	24 6214082	1	
AA33	1305014574589	13.25	12.5	7.25		59	0.7	1800	FB BOX	12982988	CARTRIDGE, 5.56MM BALL M855 10-RD CLIP COMMERCIAL PACK	WP1	42.875	50	41.5	2916	52.5	48 None	4	
AA33	1305015505648	12.1875	10.6875	6.5625		55	0.49	1800	FB BOX	13014881	CARTRIDGE, 5.56MM BALL M855 10-RD CLIP COMMERCIAL PACK	SWP	36.5625	42.75	31.625	2725	28.6	48 4357	185	
AA34	1305014586826	18.5938	8.2969	14.5938		127	1.3	1500	M548	7258943	CARTRIDGE, 7.62MM 9 AP M993/1 DIM TR M276 LINKED	WP1	40.375	49.75	34.5	3185	40	24 4116/7D	1	
AA35	1305014586825	17.5	11.5	8.125		82	0.9	800	WBD BOX	12960962	CARTRIDGE, 7.62MM 4 AP M993/1 DIM TR M276 LINKED	WP1A	35	46	46.125	3261	43	40 4116/7	1	
AA36	130501458																			

DODIC	NSN	PACK LEN	PACK WID	PACK HGT	PACK DIA	PACK WGT	PACK CUBE	RDS/PACK	PACKAGE TYPE	PACKAGE DRAWING #	NOMENCLATURE	BASE TYPE	UNIT LOAD LEN	UNIT LOAD WID	UNIT LOAD HGT	UNIT LOAD WGT	UNIT LOAD CUBE	PKG/UNIT LOAD	UNIT LOAD DRAWING	SECT. 2 INDEX #
AA41	1305016716603	14.5	12.75	8.375		79	0.9	240	WBD BOX	12576456	CARTRIDGE, CALIBER .50 API MK211 MOD 1	WP1	43.5	51	39	3886	50.1	48 4116/14	1	
AA42	1305014643218	14.5	12.75	8.375		79	0.9	240	WBD BOX	12576456	CARTRIDGE, CALIBER .50 API DIM TRACER MK257 MOD 0	WP1	43.5	51	39	3886	50.1	48 4116/14	1	
AA44	1305016716579	14.5	12.75	8.375		79	0.9	240	WBD BOX	12576456	CARTRIDGE, CALIBER .50 API DIM TRACER MK257 MOD 0	WP1	43.5	51	39	3886	50.1	48 4116/14	1	
AA44	1305014673026	17	13.375	9.375		75	1.2	1600	WBD BOX	12590217	CARTRIDGE, 5.56MM M855 LINKED	WP1	40.125	51	43	2790	50.9	36 4116/5C	1	
AA45	1305014673033	14.4375	12.5313	8.125		69	0.9	1680	WBD BOX	12551963	CARTRIDGE, 5.56MM BALL M855 LFS	WP1	43.375	50.125	38	3406	47.8	48 4116/5	1	
AA46	1305014673037	14.4375	12.5313	8.125		66.4	0.9	1640	WBD BOX	12551963	CARTRIDGE, 5.56MM BALL M855 LFS	WP1	43.375	50.125	38	3282	47.8	48 4116/5	1	
AA47	1305014673036	14.4375	12.5313	8.125		47.1	0.9	800	WBD BOX	12551963	CARTRIDGE, 5.56MM BALL M855 LFS	WP1	43.375	50.125	38	2355	47.8	48 4116/5	1	
AA48	1305014673008	13.25	12.5	7.25		56	0.7	1800	FB BOX	12982988	CARTRIDGE, 5.56MM BALL M855 LFS COMMERCIAL PACK	WP1	40.875	48	35	2916	52.5	48 RSK-3154A	1	
AA49	1305014702090	14	5.6875	3.9375		59	0.2	500	FB BOX	12991503	CARTRIDGE, 9MM BALL M852 NATO COMMERCIAL PACK	WP1	42.875	50	41.5	2916	52.5	48 None	4	
AA50	1305014734766	14.5	12.75	8.375		77	0.9	200	WBD BOX	12576456	CARTRIDGE, CALIBER .50 1 API MK211/1 AP MK263/1 API M211/1 AP MK263/1 API DIM TRACER MK257	WP1	43.5	51	39	3790	50.1	48 4116/14	1	
AA50	1305016719946	14.5	12.75	8.375		77	0.9	200	WBD BOX	12576456	CARTRIDGE, CALIBER .50 1 API MK211/1 AP MK263/1 API M211/1 AP MK263/1 API DIM TRACER MK257	WP1	43.5	51	39	3790	50.1	48 4116/14	1	
AA51	1305014702405	14.5	12.75	8.375		55	0.9	320	WBD BOX	9396206	CARTRIDGE, 12 GAGE SHOTGUN NON-LETHAL POINT CONTROL M1012	WP1	43.5	51	39	2730	50.1	48 4116/2	1	
AA52	1305014702139	14.5	12.75	8.375		55	0.9	320	WBD BOX	9396206	CARTRIDGE, 12 GAGE SHOTGUN NON-LETHAL CROWD DISPERSION M1013	WP1	43.5	51	39	2730	50.1	48 4116/2	1	
AA53	1305015077511	14.44	12.53	8.13		74.5	0.85	1640	WBD BOX	7520782	CARTRIDGE, 5.56MM SPECIAL BALL LONG RANGE MK262 MOD 1	WP1	43.375	50.125	38	2112	47.8	48 4116/5A	1	
AA54	1305014757440	14.5	12.75	8.375		53	0.9	320	WBD BOX	9396206	CARTRIDGE, 12 GAGE SHOTGUN NON-LETHAL DOOR BREACHING M1030	WP1	43.5	51	39	2730	50.1	48 4116/2	1	
AA56	1305014813854	14.5	12.75	8.375		77	0.9	200	WBD BOX		CARTRIDGE, CAL .50									1
AA57	1305014813852	14.5	12.75	8.375		77	0.9	200	WBD BOX		CARTRIDGE, CAL .50									1
AA58	1305014821053	14.5	12.75	8.375		79	0.9	240	WBD BOX	12576456	CARTRIDGE, CALIBER .50 AP MK263 MOD 0	WP1	43.5	51	39	3886	50.1	48 4116/14	1	
AA58	1305016716602	14.5	12.75	8.375		79	0.9	240	WBD BOX	12576456	CARTRIDGE, CALIBER .50 AP MK263 MOD 0	WP1	43.5	51	39	3886	50.1	48 4116/14	1	
AA68	1305014933653	14.4375	12.5313	8.125		45	0.9	1640	WBD BOX	12551963-41	CARTRIDGE, 5.56MM SHORT RANGE TRAINING M862	WP1	43.375	50.125	38	2254	47.8	48 4116/5	1	
AA69	1305014933632	14.4375	12.5313	8.125		69	0.9	1680	WBD BOX	12551963-40	CARTRIDGE, 5.56MM AP M995	WP1	43.375	50.125	38	3406	47.8	48 4116/5	1	
AA82	1305015055304	14.5	12.5	8.25		70	0.9	1640	WBD BOX	ESTIMATED	CARTRIDGE, 12 GAGE SHOTGUN 00 BUCKSHOT	WP1	43.375	50.125	38	3406	47.8	48 ESTIMATED	1	
AA96	1305015287215	18.5937	8.2969	14.5937		93	1.3	100	M548	7258943	CARTRIDGE, 20MM LINKED	WP1	40.5	49.75	34.5	2370	40.2	24 4116/15A	1	
AA99	1305015303982	14.4375	12.5313	8.125		65.7	0.9	1640	WBD BOX	12551963-50	CARTRIDGE, 5.56MM DIM TRACER MK301 MOD 0	WP1	43.375	50.125	38	3248	47.8	48 4116/5	1	
AB03	1305015335663	17	13.375	9.375		75	1.2	1600	WBD BOX	12590217-19	CARTRIDGE, 5.56MM M855 AND DIM TRACER MK301 MOD 0 LINKED 4 TO 1	WP1	40.125	51	43	2790	50.9	36 4116/5C	1	
AB04	1305015335657	17	13.375	9.375		75	1.2	1600	WBD BOX	12590217-20	CARTRIDGE, 5.56MM AP M995 AND DIM TRACER MK301 MOD 0 LINKED 4 TO 1	WP1	40.125	51	43	2790	50.9	36 4116/5C	1	
AB08	1305015536192	14.5	12.75	8.375		57	0.9	320	WBD BOX	9396206	CARTRIDGE, 12 GAGE SHOTGUN EXTENDED RSNGE NON-LETHAL XM1116	WP1	43.5	51	39	2826	50.1	48 4116/2	1	
AB09	1305015365822	14.4375	12.5313	8.125		43	0.9	1800	WBD BOX	12551963-43	CARTRIDGE, 5.56MM MARKING BLUE M1042	WP1	43.375	50.125	38	2158	47.8	48 4116/5	1	
AB10	1305015365827	14.4375	12.5313	8.125		43	0.9	1800	WBD BOX	12551963-44	CARTRIDGE, 5.56MM MARKING RED M1042	WP1	43.375	50.125	38	2158	47.8	48 4116/5	1	
AB11	1305015365829	14.4375	12.5313	8.125		43	0.9	1800	WBD BOX	12551963-45	CARTRIDGE, 5.56MM MARKING YELLOW M1042	WP1	43.375	50.125	38	2158	47.8	48 4116/5	1	
AB12	1305015367720	14.4375	12.5313	8.125		45	0.9	2000	WBD BOX	9396206-29	CARTRIDGE, 9MM PRACTICE YELLOW FOR CCMCK M1041	WP1	43.375	50.125	38	2254	47.8	48 4116/10B	1	
AB13	1305015367721	14.4375	12.5313	8.125		45	0.9	2000	WBD BOX	9396206-27	CARTRIDGE, 9MM PRACTICE BLUE FOR CCMCK M1041	WP1	43.375	50.125	38	2254	47.8	48 4116/10B	1	
AB14	1305015367722	14.4375	12.5313	8.125		45	0.9	2000	WBD BOX	9396206-28	CARTRIDGE, 9MM PRACTICE RED FOR CCMCK M1041	WP1	43.375	50.125	38	2254	47.8	48 4116/10B	1	
AB15	1305015369289	17	13.375	9.375		82	1.2	2400	WBD BOX	12590217	CARTRIDGE, 5.56MM PRACTICE YELLOW M1071 LINKED CCMCK SAW	WP1	40.125	51	43	3044	50.9	36 4116/5D	1	
AB16	1305015371521	17	13.375	9.375		82	1.2	2400	WBD BOX	12590217	CARTRIDGE, 5.56MM PRACTICE BLUE M1071 LINKED CCMCK SAW	WP1	40.125	51	43	3044	50.9	36 4116/5D	1	
AB17	1305015371522	17	13.375	9.375		82	1.2	2400	WBD BOX	12590217	CARTRIDGE, 5.56MM PRACTICE RED M1071 LINKED CCMCK SAW	WP1	40.125	51	43	3044	50.9	36 4116/5D	1	
AB30	1305016731262	14.5	12.75	8.375		75	0.9	200	WBD BOX	12576456-8	CARTRIDGE, CALIBER .50 4 API M8/1API-DT MK257 MOD 0 LINKED	WP1	43.5	51	39	3694	50.1	48 4116/14	1	
AB36	1305015577022	14.5	12.75	8.375		77	0.9	200	WBD BOX	12576456	CARTRIDGE, CALIBER .50 DUMMY M2A1 LINKED	WP1	43.5	51	39	3790	50.1	48 4116/14	1	
AB36	1305016763628	14.5	12.75	8.375		77	0.9	200	WBD BOX	12576456	CARTRIDGE, CALIBER .50 DUMMY M2A1 LINKED	WP1	43.5	51	39	3790	50.1	48 4116/14	1	
AB40	1305015680799	17	13.375	9.375		75	1.2	1600	WBD BOX	12590217-12	CARTRIDGE, 5.56MM 4 BALL M855A1/1 TR M856 LINKED	WP1	40.125	51	43	2790	50.9	36 4116/5C	1	
AB43	1305015687504	14.5	12.75	8.375		60	0.9	480	WBD BOX	7553659-6	CARTRIDGE, CAL .300 WIN MAG MATCH 220 GRAIN MK248 MOD1	WP1	43.5	51	39	2974	50.1	48 4116/8C	1	
AB45	1305015685691	14.4375	12.5313	8.125		73	0.9	2000	WBD BOX	9396206-29	CARTRIDGE, 9MM DUMMY M917A1	WP1	43.375	50.125	38	3598	47.8	48 4116/10B	1	
AB46	1305015685686	14.4375	12.5313	8.125		57	0.9	1640	WBD BOX	12551963-46	CARTRIDGE, 5.56MM DUMMY M199A1	WP1	43.375	50.125	38	2830	47.8	48 4116/5	1	
AB46	1305016751363	14.4375	12.5313	8.125		57	0.9	1640	WBD BOX	12551963	CARTRIDGE, 5.56MM DUMMY M199A1 SINGLE RD	WP1	43.375	50.125	38	2827	47.8	48 4116/5A	1	
AB47	1305015685689	14.5	12.75	8.375		55.6	0.9	920	WBD BOX	9362607	CARTRIDGE, 7.62MM DUMMY M63A1	WP1	43.5	51	39	2760	50.1	48 4116/7B	1	
AB47	1305016752866	14.5	12.75	8.375		55.6	0.9	920	WBD BOX	9362607	CARTRIDGE, 7.62MM DUMMY M63A1	WP1	43.5	51	39	2760	50.1	48 4116/7B	1	
AB48	1305015685696	14.5	12.75	8.375		79	0.9	240	WBD BOX	12576456	CARTRIDGE, CALIBER .50 DUMMY M2A1	WP1	43.5	51	39	3886	50.1	48 4116/14	1	
AB48	1305016763652	14.5	12.75	8.375		79	0.9	240	WBD BOX	12576456	CARTRIDGE, CALIBER .50 DUMMY M2A1	WP1	43.5	51	39	3886	50.1	48 4116/14	1	
AB56	1305015593332	17	13.375	9.375		75	1.2	1600	WBD BOX	12590217	CARTRIDGE, 5.56MM M855A1 LINKED	WP1	40.125	51	43	2790	50.9	36 4116/5C	1	
AB57	1305015593333	14.4375	12.5313	8.125		69	0.9	1680	WBD BOX	12551963-42	CARTRIDGE, 5.56MM BALL M855A1 10/CLIP 12 CLIP/BANDOLEER	WP1	43.375	50.125	38	3406	47.8	48 4116/5	1	
AB58	1305015593335	12.1875	10.6875	6.5625		55	0.49	1800	FB BOX	13014881	CARTRIDGE, 5.56MM BALL M855A1 10-RD CLIP COMMERCIAL PACK	SWP	36.5625	42.75	31.625	2725	28.6	48 4357	185	
AB60	1305015794056	14.5	12.75	8.375		60	0.9	600	WBD BOX	9362607-25	CARTRIDGE, 7.62MM SHORT RANGE TRAINING M973	WP1	43.5	51	39	2974	50.1	48 4116/7A	1	
AB60	1305015794058	17.5	11.5	8.125		91.3	0.9	880	WBD BOX	12960962-23	CARTRIDGE, 7.62MM SHORT RANGE TRAINING AMMUNITION (SRTA) M973	WP1A	35	46	46.125	3325	43	40 4116/7	1	
AB66	1305015827502	17	13.375	9.375		74	1.2	1600	WBD BOX	12590217-21	CARTRIDGE, 5.56MM SHORT RANGE TRAINING AMMUNITION FRANGIBLE XM1037 LINKED	WP1	40.125	51	43	2754	50.9	36 4116/5C	1	
AB67	1305015827499	14.4375	12.5313	8.125		63	0.9	1800	WBD BOX	12551963-51	CARTRIDGES, 5.56MM, SHORT RANGE TRAINING AMMUNITION (SRTA) M1037 CLIPPED CONFIGURATION	WP1	43.375	50.125	38	3118	47.8	48 4116/5	1	
AB72	1305015961319	14.5	12.75	8.375		58.7	0.9	1200	WBD BOX	9362607	CARTRIDGE, 7.62MM BLANK M82A1	WP1	43.5	51	39	2909	50.1	48 4116/7B	1	
AB73	1305015964478	17	13.375	9.375		75	1.2	1600	WBD BOX	12590217-18	CARTRIDGE, 5.56MM 4 BALL M855A1/1 TR M856A1 LINKED	WP1	40.125	51	43	2790	50.9	36 4116/5C	1	
AB75	1305015964414	17	13.375	9.375		75	1.2	1600	WBD BOX	12590217-17	CARTRIDGE, 5.56MM 4 AP M995/1 TR M856A1 LINKED	WP1	40.125	51	43	2790	50.9	36 4116/5C	1	
AB76	1305015964391	17	13.375	9.375		75	1.2													

DODIC	NSN	PACK LEN	PACK WID	PACK HGT	PACK DIA	PACK WGT	PACK CUBE	RDS/PACK	PACKAGE TYPE	PACKAGE DRAWING #	NOMENCLATURE	BASE TYPE	UNIT LOAD LEN	UNIT LOAD WID	UNIT LOAD HGT	UNIT LOAD WGT	UNIT LOAD CUBE	PKG/UNIT LOAD	UNIT LOAD DRAWING	SECT. 2 INDEX #
AB78	1305015981219	14.4375	12.5313	8.125		70	0.9	1800	WBD BOX	12551963-48	CARTRIDGE, 5.56MM BALL M855 10/CLIP	WP1	43.375	50.125	38	3454	47.8	48 4116/5	1	
AB79	1305015985913	17.5	11.5	8.125		77.8	0.9	800	WBD BOX	12960962-24	CARTRIDGE, 7.62MM BALL M80A1 W/SMP-849 STRAIGHT LINKED	WP1A	35	46	46.125	3185	43	40 4116/7	1	
AB80	1305015985898	14.5	12.75	8.375		72.4	0.9	840	WBD BOX	9362607-30	CARTRIDGE, 7.62MM BALL M80A1 5/CLIP	WP1	43.5	51	39	3569	50.1	48 4116/7A	1	
AB81	1305015985928	18.5938	8.2969	14.5938		127	1.3	1500	M548	10535781	CARTRIDGE, 7.62MM BALL M80A1 BELTED	WP1	40.375	49.75	34.5	3185	40	24 4116/7D	1	
AB82	1305015988201	14.5	12.75	8.375		73.5	0.9	920	WBD BOX	9362607-29	CARTRIDGE, 7.62MM BALL M80A1	WP1	43.5	51	39	3622	50.1	48 4116/7A	1	
AB84	1305016067081	14.5	12.75	8.375		73.5	0.9	920	WBD BOX	9362607-31	CARTRIDGE, 7.62MM TRACER M62A1	WP1	43.5	51	39	3622	50.1	48 4116/7A	1	
AB85	1305016067016	17.5	11.5	8.125		77.83	0.9	800	WBD BOX	12960962-25	CARTRIDGE, 7.62MM TRACER M62A1	WP1A	35	46	46.125	3186	43	40 4116/7	1	
AB86	1305016067003	17.5	11.5	8.125		77.8	0.9	800	WBD BOX	12960962-26	CARTRIDGE, 7.62MM 4 BALL M80A1/1 TR M62A1 LINKED	WP1A	35	46	46.125	3185	43	40 4116/7	1	
AB88	1305016067063	18.5938	8.2969	14.5938		118	1.3	1500	M548	10535781	CARTRIDGE, 7.62MM M80A1/M62A1 BALL/TRACER LINKED (4:1)	WP1	40.375	49.75	34.5	2969	40	24 4116/7D	1	
AB89	1305016066538	18.5938	8.2969	14.5938		118	1.3	1500	M548	10535781	CARTRIDGE, 7.62MM M80A1/M62A1 BALL/TRACER LINKED (9:1)	WP1	40.375	49.75	34.5	2969	40	24 4116/7D	1	
AC04	1305016409490	14.4375	12.5313	8.125		62.7	0.9	1640	WBD BOX	12551963-52	CARTRIDGE, 5.56MM HIGH PRESSURE TEST M197A1	WP1	43.375	50.125	38	3104	47.8	48 4116/5	1	
AC09	1305016507935	17.5	11.5	8.125		73	0.9	800	WBD BOX	12960962-27	CARTRIDGE, 7.62MM 4 AP M1158/1 TR M62A1 LINKED	WP1A	35	46	46.125	2993	43	40 4116/7	1	
AC10	1305016515896	17	13.375	9.375		74	1.2	1600	WBD BOX	12590217-22	CARTRIDGE, 5.56MM SHORT RANGE TRAINING AMMUNITION (SRTA) M1037 LINKED	WP1	40.125	51	43	2754	50.9	36 4116/5C	1	
AC13	1305016589080	14.5	12.75	8.375		82	0.9	240	WBD BOX	12576456	CARTRIDGE, CALIBER .50 BALL RRA MK322 MOD 1	WP1	43.5	51	39	3963	50.1	48 4116/14	1	
AC14	1305016589164	14.5	12.75	8.375		82	0.9	200	WBD BOX	12576456	CARTRIDGE, CALIBER .50 BALL RRA MK322 MOD 1 LINKED	WP1	43.5	51	39	3963	50.1	48 4116/14	1	
AC15	1305016590136	14.5	12.75	8.375		82	0.9	200	WBD BOX	12576456	CARTRIDGE, CALIBER .50 4 BALL RRA MK322-1/1 TRACER RRA MK321-1 LINKED	WP1	43.5	51	39	3963	50.1	48 4116/14	1	
AC16	1305016590125	14.5	12.75	8.375		82	0.9	240	WBD BOX	12576456	CARTRIDGE, CALIBER .50 TRACER RRA MK321 MOD 1	WP1	43.5	51	39	3963	50.1	48 4116/14	1	
AC20	1305016639409	14.4375	12.5313	8.125		75	0.9	2000	WBD BOX	9396206-33	CARTRIDGE, 9MM BALL M1152	WP1	43.375	50.125	38	3694	47.8	48 4116/10B	1	
AC21	1305016639680	14.4375	12.5313	8.125		79	0.9	2000	WBD BOX	9396206-34	CARTRIDGE, 9MM SPECIAL PURPOSE M1153	WP1	43.375	50.125	38	3886	47.8	48 4116/10B	1	
AC24	1305016639712	14.4375	12.5313	8.125		75	0.9	2000	WBD BOX	9396206-35	CARTRIDGE, 9MM DUMMY M1156	WP1	43.375	50.125	38	3502	47.8	48 4116/10B	1	
AC32	1305016691219	14.5	12.75	8.375		61	0.9	440	WBD BOX	7553659	CARTRIDGE, CAL .338 NORMA MAGNUM ARMOR PIERCING XM1162	WP1	43.5	51	39	3211	50.1	48 4116/11	1	
AC33	1305016692481	14.5	12.75	8.375		60	0.9	440	WBD BOX	7553659-3	CARTRIDGE, CAL .300 NORMA MAGNUM XM1163	WP1	43.5	51	39	2974	50.1	48 4116/8C	1	
AC35	1305016813523	14.5	12.75	8.375		70	0.9	920	WBD BOX	9362607-32	CARTRIDGE, 7.62MM AP M1158	WP1	43.5	51	39	3454	50.1	48 4116/7A	1	
AC36	1305016704234	14.4375	12.5313	8.125		45	0.9	2000	WBD BOX	9396206-37	CARTRIDGE, 9MM MARKING BLUE M1041	WP1	43.375	50.125	38	2254	47.8	48 4116/10B	1	
AC37	1305016704963	14.4375	12.5313	8.125		45	0.9	2000	WBD BOX	9396206-38	CARTRIDGE, 9MM MARKING RED M1041	WP1	43.375	50.125	38	2254	47.8	48 4116/10B	1	
AC38	1305016712206	14.4375	12.5313	8.125		45	0.9	2000	WBD BOX	9396206-39	CARTRIDGE, 9MM MARKING YELLOW M1041	WP1	43.375	50.125	38	2254	47.8	48 4116/10B	1	
AC39	1305016705103	14.4375	12.5313	8.125		43	0.9	1800	WBD BOX	12551963-55	CARTRIDGE, 5.56MM MARKING BLUE M1042	WP1	43.375	50.125	38	2158	47.8	48 4116/5	1	
AC40	1305016705126	14.4375	12.5313	8.125		43	0.9	1800	WBD BOX	12551963-56	CARTRIDGE, 5.56MM MARKING RED M1042	WP1	43.375	50.125	38	2158	47.8	48 4116/5	1	
AC41	1305016711588	14.4375	12.5313	8.125		43	0.9	1800	WBD BOX	12551963-57	CARTRIDGE, 5.56MM MARKING YELLOW M1042	WP1	43.375	50.125	38	2158	47.8	48 4116/5	1	
AC42	1305016704995	17	13.375	9.375		82	1.2	2400	WBD BOX	12590217	CARTRIDGE, 5.56MM MARKING BLUE M1071 LINKED	WP1	40.125	51	43	3044	50.9	36 4116/5D	1	
AC43	1305016705149	17	13.375	9.375		82	1.2	2400	WBD BOX	12590217	CARTRIDGE, 5.56MM MARKING RED M1071 LINKED	WP1	40.125	51	43	3044	50.9	36 4116/5D	1	
AC44	1305016711541	17	13.375	9.375		82	1.2	2400	WBD BOX	12590217	CARTRIDGE, 5.56MM MARKING YELLOW M1071 LINKED	WP1	40.125	51	43	3044	50.9	36 4116/5D	1	
AC50	1305016753376	14.5	12.75	8.375		67	0.9	200	WBD BOX	12576456-7	CARTRIDGE, CALIBER .50 SRTA XM1183	WP1	43.5	51	39	3310	50.1	48 4116/14	1	
AC51	1305016782662	11.93	7.25	5.94		2.96	0.2973	900	FBD BX	13076433	CARTRIDGE, 5.56MM BLANK CLOSE COMBAT XM1177							COMM PACK	1	
AC52	1305016784141	12.795	7.25	7.25		6.58	0.3886	1200	FBD BX	13076434	CARTRIDGE, 5.56MM BLANK CLOSE COMBAT LINKED XM1178							COMM PACK	1	
AC53	1305016796604	12.795	7.25	7.25		2.61	0.38857	400	FBD BX	13076435	CARTRIDGE, 7.62MM BLANK CLOSE COMBAT LINKED XM1179							COMM PACK	1	
AC54	1305016762226	14.4375	12.5313	8.125		62	0.9	2000	WBD BOX	9396206-40	CARTRIDGE, 9MM JACKETED HOLLOW-POINT BARRIER BLIND XM1196	WP1	43.375	50.125	38	3070	47.8	48 4116/10B	1	
AC58	1305016836646		14.4375	12.53125	8.125	64	0.85	920	WBD BOX	13076679	CARTRIDGE, 6.5MM, SPECIAL BALL LONG RANGE, XM1200	WP1	43.375	50.125	38	3163	47.8	48 4116/4	1	
AC60	1305016914003	14.4375	12.5313	8.125		77	0.9	2000	WBD BOX	9396206-36	CARTRIDGE, 9MM BLANK CLOSE COMBAT XM1157	WP1	43.375	50.125	38	3790	47.8	48 4116/10B	1	
AC64	1305016966093	17	13.375	9.375		81	1.2	2400	WBD BOX	12590217	CARTRIDGE, 5.56MM BLANK CLOSE COMBAT M1178	WP1	40.125	51	43	3008	50.9	36 4116/5D	1	
AC66	1305016965592	14.4375	12.5313	8.125		41.8	0.9	1800	WBD BOX	12551963	CARTRIDGE, 5.56MM BLANK CLOSE COMBAT M1177	WP1	43.375	50.125	38	2098	47.8	48 4116/5A	1	
AC91	1305017151637	17	13.375	9.375		75.7	1.2	1600	WBD BOX	12590217-27	CARTRIDGE, 5.56MM 4 BALL M855A1 1 OWL XM1201 LINKED	WP1	40.125	51	43	2815	50.9	36 4116/5C	1	
AC92	1305017150183	14.4375	12.5313	8.125		60	0.9	1640	WBD BOX	12551963-60	CARTRIDGE, 5.56MM OWL XM1201	WP1	43.375	50.125	38	2974	47.8	48 4116/5	1	
AX10	1305011584202	17.375	11.5	8.125		35	0.9	24	WDN BOX		CARTRIDGE, 9MM SPOTTING RIFLE DUMMY MK218-0 (SMAW)	WP1A	34.75	46.125	38	1195	35.2	32 AMXAC4322	5	
AX10	1305011584202	17.375	11.5	8.125		35	0.9	24	WDN BOX		CARTRIDGE, 9MM SPOTTING RIFLE DUMMY MK218-0 (SMAW)	WP1A	34.75	46.125	46.125	1475	42.8	40 AMXAC4322	5	
AX10	1305011584202	17.375	11.5	8.125		35	0.9	24	WDN BOX		CARTRIDGE, 9MM SPOTTING RIFLE DUMMY MK218-0 (SMAW)	WP1	46	52.125	29.875	1350	41.5	36 AMXAC4322	5	
AX10	1305011584202	17.375	11.5	8.125		35	0.9	24	WDN BOX		CARTRIDGE, 9MM SPOTTING RIFLE DUMMY MK218-0 (SMAW)	WP1	46	52.125	38	1490	52.7	40 AMXAC4322	5	
AX11	1305011572460	17.375	11.5	8.125		166	0.9	720	WDN BOX		CARTRIDGE, 9MM SPOTTING RIFLE MK212-0 (SMAW)	WP1A	34.75	46.125	38	5387	35.2	32 AMXAC4322	5	
AX11	1305011572460	17.375	11.5	8.125		166	0.9	720	WDN BOX		CARTRIDGE, 9MM SPOTTING RIFLE MK212-0 (SMAW)	WP1	46	52.125	29.875	6066	41.5	36 AMXAC4322	5	
AX11	1305011572460	17.375	11.5	8.125		166	0.9	720	WDN BOX		CARTRIDGE, 9MM SPOTTING RIFLE MK212-0 (SMAW)	WP1A	34.75	46.125	46.125	6715	42.8	40 AMXAC4322	5	
AX11	1305011572460	17.375	11.5	8.125		166	0.9	720	WDN BOX		CARTRIDGE, 9MM SPOTTING RIFLE MK212-0 (SMAW)	WP1	46	52.125	38	6730	52.7	40 AMXAC4322	5	
AY28	1315010739920	11.875	6.125	16.5		25	0.7	2	PA70		CARTRIDGE, 105MM CLEARING	WP1	43.875	48.5	22	807	27.1	28 4116/45E	1	
B020	1305012781137	18.625	9.5	14.625		135	1.5	121	M592		CARTRIDGE, 30MM TP XM954 SINGLE RD	WP1B	42	57	34.75	3426	48.1	24 4116/18	1	
B020																				

DODIC	NSN	PACK LEN	PACK WID	PACK HGT	PACK DIA	PACK WGT	PACK CUBE	RDS/PACK	PACKAGE TYPE	PACKAGE DRAWING #	NOMENCLATURE	BASE TYPE	UNIT LOAD LEN	UNIT LOAD WID	UNIT LOAD HGT	UNIT LOAD WGT	UNIT LOAD CUBE	PKG/UNIT LOAD	UNIT LOAD DRAWING	SECT. 2 INDEX #
B103	1305010951062	52.375	14.5	45.25		1200	19.9	575	CNU-332		CARTRIDGE, 30MM 5 API PGU-14A/B/1 HEI PGU-13/B LINKED		52.375	28.75	45.25	2400	39.5	2	10933338	84
B103	1305011132462	52.375	14.5	45.25		1162	19.9	575	CNU-332		CARTRIDGE, 30MM 5 API PGU-14A/B/1 HEI PGU-13/B LINKED		52.375	28.75	45.25	2326	39.5	2	10933338	84
B103	1305011461530	52.375	14.5	45.25		1200	19.9	575	CNU-332		CARTRIDGE, 30MM 5 API PGU-14A/B/1 HEI PGU-13/B LINKED		52.375	28.75	45.25	2400	39.5	2	10933338	84
B103	1305011572627	53	14.5	45.25		1184	20.1	575	CNU-309		CARTRIDGE, 30MM 5 API PGU-14A/B/1 HEI PGU-13/B LINKED		53	28.75	45.25	2370	40	2	10612214	84
B103	1305011610622	53	14.5	45.25		1184	20.1	575	CNU-309		CARTRIDGE, 30MM 5 API PGU-14A/B/1 HEI PGU-13/B LINKED		53	28.75	45.25	2370	40	2	10612214	84
B103	1305012252820	52.375	14.5	45.25		1163	19.9	575	CNU-332		CARTRIDGE, 30MM 5 API PGU-14A/B/1 HEI PGU-13/B LINKED		52.375	28.75	45.25	2326	39.5	2	10933338	84
B103	1305012326180	52.375	14.5	45.25		1115	19.9	575	CNU-332		CARTRIDGE, 30MM 5 API PGU-14A/B/1 HEI PGU-13/B LINKED		52.375	28.75	45.25	2230	39.5	2	10933338	84
B104	1305004165814	18.5938	8.2969	14.5938		86	1.3	36	M548		CARTRIDGE, 30MM HEI PGU-13A/B LINKED RHF	WP1	40.5	49.75	34.75	2248	40.5	24	010231909	32
B104	1305010231908	18.5938	8.2969	14.5938		77	1.3	36	M548		CARTRIDGE, 30MM HEI PGU-13A/B LINKED RHF	WP1	40.5	49.75	34.75	2032	40.5	24	010231909	32
B104	1305010575335	53	14.5	45.25		1184	20.1	588	CNU-309		CARTRIDGE, 30MM HEI PGU-13A/B LINKED RHF		53	28.75	45.25	2368	40	2	10612214	84
B104	1305010632168	53	14.5	45.25		1184	20.1	588	CNU-309		CARTRIDGE, 30MM HEI PGU-13A/B LINKED RHF		53	28.75	45.25	2368	40	2	10612214	84
B104	1305010933339	52.375	14.5	45.25		1115	19.9	575	CNU-332		CARTRIDGE, 30MM HEI PGU-13A/B LINKED RHF		52.375	28.75	45.25	2230	39.5	2	10933338	84
B104	1305010959650	52.375	14.5	45.25		1115	19.9	575	CNU-332		CARTRIDGE, 30MM HEI PGU-13A/B LINKED RHF		52.375	28.75	45.25	2230	39.5	2	10933338	84
B104	1305011096985	52.375	14.5	45.25		1115	19.9	575	CNU-332		CARTRIDGE, 30MM HEI PGU-13A/B LINKED RHF		52.375	28.75	45.25	2230	39.5	2	10933338	84
B104	1305011449301	52.375	14.5	45.25		1115	19.9	575	CNU-332		CARTRIDGE, 30MM HEI PGU-13A/B LINKED RHF		52.375	28.75	45.25	2230	39.5	2	10933338	84
B104	1305011610623	52.375	14.5	45.25		1115	19.9	575	CNU-332		CARTRIDGE, 30MM HEI PGU-13A/B LINKED RHF		52.375	28.75	45.25	2230	39.5	2	10933338	84
B116	1305004165813	18.5938	8.2969	14.5938		86	1.3	36	M548		CARTRIDGE, 30MM TP PGU-15/B LINKED RHF	WP1	40.5	49.75	34.75	2248	40.5	24	010231909	32
B116	1305010231907	18.5938	8.2969	14.5938		56	1.3	36	M548		CARTRIDGE, 30MM TP PGU-15/B LINKED RHF	WP1	40.5	49.75	34.75	1528	40.5	24	010231909	32
B116	1305010577914	53	14.5	45.25		1184	20.1	588	CNU-309		CARTRIDGE, 30MM TP PGU-15/B LINKED RHF		53	28.75	45.25	2368	40	2	10612214	84
B116	1305010592594	53	14.5	45.25		1184	20.1	588	CNU-309		CARTRIDGE, 30MM TP PGU-15/B LINKED RHF		53	28.75	45.25	2368	40	2	10612214	84
B116	1305010933338	52.375	14.5	45.25		1150	19.9	575	CNU-332		CARTRIDGE, 30MM TP PGU-15/B LINKED RHF		52.375	28.75	45.25	2300	39.5	2	10933338	84
B116	1305010939568	52.375	14.5	45.25		1115	19.9	575	CNU-332		CARTRIDGE, 30MM TP PGU-15/B LINKED RHF		52.375	28.75	45.25	2230	39.5	2	10933338	84
B116	1305011408530	53	14.5	45.25		1184	20.1	588	CNU-309		CARTRIDGE, 30MM TP PGU-15/B LINKED RHF		53	28.75	45.25	2368	40	2	10612214	84
B116	1305011416054	53	14.5	45.25		1184	20.1	588	CNU-309		CARTRIDGE, 30MM TP PGU-15/B LINKED RHF		53	28.75	45.25	2368	40	2	10612214	84
B117	1305010577912	18.5938	8.2969	14.5938		80	1.3	36	M548		CARTRIDGE, 30MM API PGU-14A/B LINKED RHF	WP1	40.5	49.75	34.75	2104	40.5	24	010231909	32
B117	1305010577913	18.5938	8.2969	14.5938		90	1.3	36	M548		CARTRIDGE, 30MM API PGU-14A/B LINKED RHF	WP1	40.5	49.75	34.75	2344	40.5	24	010231909	32
B118	1305010795386	18.625	9.5	14.625		126	1.5	121	M592		CARTRIDGE, 30MM TP M788 SINGLE RD	WP1B	42	57	34.75	3210	48.1	24	4116/18	1
B118	1305010809416	18.625	9.5	14.625		126	1.5	121	M592		CARTRIDGE, 30MM TP M788 SINGLE RD	WP1B	42	57	34.75	3210	48.1	24	4116/18	1
B118	1305012687274	18.625	9.5	14.625		120	1.5	110	M592	12902718	CARTRIDGE, 30MM TP M788 STRIP PACK	WP1B	42	57	34.75	3066	48.1	24	4116/18	1
B118	1305016448390	18.625	9.5	14.625		120	1.5	110	M592	12902718	CARTRIDGE, 30MM TP M788 STRIP PACK	WP1B	42	57	34.75	3066	48.1	24	4116/18	1
B119	1305010772932	18.625	9.5	14.625		126	1.5	80	M592		CARTRIDGE, 30MM TP M788 LINKED LHF	WP1B	42	57	34.75	3210	48.1	24	4116/18	1
B120	1305010785505	18.625	9.5	14.625		126	1.5	72	M592		CARTRIDGE, 30MM TP M788 LINKED RHF	WP1B	42	57	34.75	3210	48.1	24	4116/18	1
B123	1305010813340	18.625	9.5	14.625		90	1.5	72	M592		CARTRIDGE, 30MM TP M799 SINGLE RD	WP1B	42	57	34.75	2346	48.1	24	4116/18	1
B124	1305010811636	18.625	9.5	14.625		90	1.5	72	M592		CARTRIDGE, 30MM TP M799 LINKED LHF	WP1B	42	57	34.75	2346	48.1	24	4116/18	1
B125	1305010813341	18.625	9.5	14.625		126	1.5	121	M592		CARTRIDGE, 30MM TP M799 LINKED RHF	WP1B	42	57	34.75	3210	48.1	24	4116/18	1
B126	1305010620070	53	14.5	45.25		1169	20.1	588	CNU-309		CARTRIDGE, 30MM 2 TP PGU-15/B/1 HEI PGU-13/B LINKED		53	28.75	45.25	2338	40	2	10612214	84
B126	1305010620071	53	14.5	45.25		1169	20.1	588	CNU-309		CARTRIDGE, 30MM 2 TP PGU-15/B/1 HEI PGU-13/B LINKED		53	28.75	45.25	2338	40	2	10612214	84
B128	1305004165809	18.5938	8.2969	14.5938		90	1.3	36	M548		CARTRIDGE, 30MM API-T PGU-14/B LINKED RHF	WP1	40.5	49.75	34.75	2344	40.5	24	010231909	32
B128	1305010231909	18.5938	8.2969	14.5938		80	1.3	36	M548		CARTRIDGE, 30MM API-T PGU-14/B LINKED RHF	WP1	40.5	49.75	34.75	2104	40.5	24	010231909	32
B129	1305012689373	18.625	9.5	14.625		120	1.5	110	M592	12902718	CARTRIDGE, 30MM HEDP M789 STRIP PACK	WP1B	42	57	34.75	3066	48.1	24	4116/18	1
B129	1305016448397	18.625	9.5	14.625		120	1.5	110	M592	12902718	CARTRIDGE, 30MM HEDP M789 STRIP PACK	WP1B	42	57	34.75	3066	48.1	24	4116/18	1
B130	1305011553197	18.625	9.5	14.625		90	1.5	72	M592		CARTRIDGE, 30MM HEDP M789 LINKED RHF	WP1B	42	57	34.75	2346	48.1	24	4116/18	1
B131	1305011520421	18.625	9.5	14.625		90	1.5	72	M592		CARTRIDGE, 30MM HEDP M789 LINKED LHF	WP1B	42	57	34.75	2346	48.1	24	4116/18	1
B132	1305011584540	18.625	9.5	14.625		130	1.5	72	M592		CARTRIDGE, 30MM DUMMY M848 LINKED LHF	WP1B	42	57	34.75	3306	48.1	24	4116/18	1
B133	1305011584539	18.625	9.5	14.625		130	1.5	121	M592		CARTRIDGE, 30MM DUMMY M848	WP1B	42	57	34.75	3306	48.1	24	4116/18	1
B133	1305012687273	18.625	9.5	14.625		120	1.5	110	M592	12902718	CARTRIDGE, 30MM DUMMY M848 STRIP PACK	WP1B	42	57	34.75	3066	48.1	24	4116/18	1
B135	1305011680538	18.625	9.5	14.625		154	1.5	121	M592		CARTRIDGE, 30MM HTP M883	WP1B	42	57	34.75	3882	48.1	24	4116/18	1
B137	1305012669572	18.625	9.5	14.625		126	1.5	121	M592		CARTRIDGE, 30MM TP M950 SINGLE RD	WP1B	42	57	34.75	3210	48.1	24	4116/18	1
B138	1305012669571	18.625	9.5	14.625		95	1.5	72	M592		CARTRIDGE, 30MM TP M950 LINKED RHF	WP1B	42	57	34.75	2466	48.1	24	4116/18	1
B139	1305012669570	18.625	9.5	14.625		95	1.5	72	M592		CARTRIDGE, 30MM TP M950 LINKED LHF	WP1B	42	57	34.75	2466	48.1	24	4116/18	1
B140	1305012669569	18.625	9.5	14.625		126	1.5	121	M592		CARTRIDGE, 30MM HEDP M949 SINGLE RD	WP1B	42	57	34.75	3210	48.1	24	4116/18	1
B140	1305012687275	18.625	9.5	14.625		120	1.5	110	M592	12902718	CARTRIDGE, 30MM HEDP M949 STRIP PACK	WP1B	42	57	34.75	3066	48.1	24	4116/18	1
B141	1305012669568	18.625	9.5	14.625		95	1.5	72	M592		CARTRIDGE, 30MM HEDP M949 LINKED RHF	WP1B	42	57	34.75	2466	48.1	24	4116/18	1
B142	1305012669567	18.625	9.5	14.625		95	1.5	72	M592		CARTRIDGE, 30MM HEDP M949 LINKED LHF	WP1B	42	57	34.75	2466	48.1	24	4116/18	1
B143	1305012766605	18.625	9.5	14.625		126	1.5	121	M592		CARTRIDGE, 30MM HEDP M952 STRIP PACK	WP1B	42	57	34.75	3210	48.1	24	4116/18	1
B143	1305012766606	18.625	9.5	14.625		123	1.5	110	M592	12902718	CARTRIDGE, 30MM HEDP M952 STRIP PACK	WP1B	42	57	34.75	3138	48.1	24	4116/18	1
B144	1305012766607	18.625	9.5	14.625		95	1.5	72	M592		CARTRIDGE, 30MM HEDP M952 LINKED LHF	WP1B	42	57	34.75	2466	48.1	24	4116/18	1
B145	1305012766608	18.625	9.5	14.625		102	1.5	72	M592		CARTRIDGE, 30MM HEDP M952 LINKED RHF	WP1B	42	57	34.75	2634	48.1	24	4116/18	1
B146	1305012766609	18.625	9.5	14.625		135	1.5	121	M592		CARTRIDGE, 30MM TP M955 SINGLE RD	WP1B	42	57	34.75	3428	48.1	24	4116/18	1
B146	1305012766610	18.625	9.5	14.625		123	1.5													

DODIC	NSN	PACK LEN	PACK WID	PACK HGT	PACK DIA	PACK WGT	PACK CUBE	RDS/PACK	PACKAGE TYPE	PACKAGE DRAWING #	NOMENCLATURE	BASE TYPE	UNIT LOAD LEN	UNIT LOAD WID	UNIT LOAD HGT	UNIT LOAD WGT	UNIT LOAD CUBE	PKG/UNIT LOAD	UNIT LOAD DRAWING	SECT. 2 INDEX #
B472	1310013151636	18.75	6.375	10.375		42	0.7	32	PA120	12928042	CARTRIDGE, 40MM DUMMY M922 32/BELT	MP2	37.875	45.5	37.25	1975	37.6	42 4232/21	6	
B472	1310013687104	18.5937	8.2969	14.5937		60	1.3	48	M548	7258943	CARTRIDGE, 40MM DUMMY M922	WP1	40.5	49.75	49	2324	57.1	36 4116/26N	1	
B472	1310013691902	18.75	6.375	10.375		42	0.7	32	PA120	12928042	CARTRIDGE, 40MM DUMMY M922	MP2	37.875	45.5	37.25	1975	37.6	42 4232/21	6	
B472	1310013694705	14.5	12.75	8.375		35.5	0.9	20	WBD BOX	9362530	CARTRIDGE, 40MM DUMMY M922	WP1	43.5	51	39	1794	50.1	48 4116/26R	1	
B475	1310001339413	14.625	12.8125	8.375		45.9	0.9	44	WBD BOX	9209205	CARTRIDGE, 40MM YELLOW SMOKE CANOPY M676	WP1	43.875	51.25	39	2110	50.7	48 4116/26H	1	
B476	1310001791159	14.625	12.8125	8.375		45.9	0.9	44	WBD BOX	9209205	CARTRIDGE, 40MM GREEN SMOKE CANOPY M679	WP1	43.875	51.25	39	2110	50.7	48 4116/26H	1	
B477	1310001791163	14.625	12.8125	8.375		45.9	0.9	44	WBD BOX	9209205	CARTRIDGE, 40MM WHITE SMOKE CANOPY M680	WP1	43.875	51.25	39	2110	50.7	48 4116/26H	1	
B477	1310005416157	14.625	12.8125	8.375		46	0.9	44	WBD BOX	9209205	CARTRIDGE, 40MM WHITE SMOKE CANOPY M680	WP1	43.875	51.25	39	2298	50.7	48	1	
B479	1310001791170	14.625	12.8125	8.375		45.9	0.9	44	WBD BOX	9209205	CARTRIDGE, 40MM RED SMOKE CANOPY M682	WP1	43.875	51.25	39	2110	50.7	48 4116/26H	1	
B480	1310001809359	25.6875	16.25	6.125		53	1.5	50	WBD BOX		CARTRIDGE, 40MM TP M385 LINKED	WP1	42.875	48.75	31.9375	1214	38.6	21 4116/26A	1	
B481	1310001814025	25.6875	16.25	6.125		53	1.5	50	WBD BOX		CARTRIDGE, 40MM HE M384/M684 LINKED	WP1	42.875	48.75	31.9375	1214	38.6	21 4116/26A	1	
B504	1310005416148	14.625	12.8125	8.375		45.9	0.9	44	WBD BOX	9209205	CARTRIDGE, 40MM ILLUMINATING GREEN STAR PARACHUTE M661	WP1	43.875	51.25	39	2110	50.7	48 4116/26H	1	
B505	1310005416149	14.625	12.8125	8.375		45.9	0.9	44	WBD BOX	9209205	CARTRIDGE, 40MM ILLUMINATING RED STAR PARACHUTE M662	WP1	43.875	51.25	39	2110	50.7	48 4116/26H	1	
B506	1310005416150	14.625	12.8125	8.375		45.9	0.9	44	WBD BOX	9209205	CARTRIDGE, 40MM RED SMOKE GROUND MARKER M713	WP1	43.875	51.25	39	2110	50.7	48 4116/26H	1	
B508	1310005416152	14.625	12.8125	8.375		45.9	0.9	44	WBD BOX	9209205	CARTRIDGE, 40MM GREEN SMOKE GROUND MARKER M715	WP1	43.875	51.25	39	2110	50.7	48 4116/26H	1	
B509	1310005416153	14.625	12.8125	8.375		45.9	0.9	44	WBD BOX	9209205	CARTRIDGE, 40MM YELLOW SMOKE GROUND MARKER M716	WP1	43.875	51.25	39	2110	50.7	48 4116/26H	1	
B511	UNAS UNAS	25	15.375	14.25		160	3.2	20	WDN BOX		CARTRIDGE, 40MM TP M813 4/CLIP	WP1	42.75	50	51.625	2969	63.9	18 4116/26P	1	
B517	UNAS UNAS	25	15.375	14.25		160	3.2	20	WDN BOX		CARTRIDGE, 40MM HEI-PD M811 4/CLIP	WP1	42.75	50	51.625	2969	63.9	18 4116/26P	1	
B518	UNAS UNAS	25	15.375	14.25		160	3.2	20	WDN BOX		CARTRIDGE, 40MM HE-PFPX M822 4/CLIP	WP1	42.75	50	51.625	2969	63.9	18 4116/26P	1	
B519	1310010507967	22.75	11.0625	11.625		53	1.7	75	WDN BOX		CARTRIDGE, 40MM PRACTICE M781	WP1A	35	45.5	38.625	1026	35.6	18 4116/26E	1	
B519	1310011075404	14.625	12.8125	8.375		45.9	0.9	44	WBD BOX	9209205	CARTRIDGE, 40MM PRACTICE M781	WP1	43.875	51.25	39	2110	50.7	48 4116/26H	1	
B519	1310011488881	22.75	11.0625	11.625		64	1.7	100	WDN BOX		CARTRIDGE, 40MM PRACTICE M781	WP1A	35	45.5	38.625	1224	35.6	18 4116/26Q	1	
B519	1310012118073	22.375	10.8125	10.625		61	1.5	100	WBD BOX	9325896	CARTRIDGE, 40MM PRACTICE M781	WP1B	42.5	54.0625	27.875	1319	37.1	20 4116/26E	1	
B519	1310015894275	15	9.5	5.5		20	0.45	40	FB BOX	13022728	CARTRIDGE, 40MM PRACTICE M781	FBPBX	47	50	45.75	2341	62.2	105 4359/1	1	
B529	1310004890384	25.6875	16.25	6.125		53	1.5	50	WBD BOX		CARTRIDGE, 40MM 3 HE M383/1 HET M677 LINKED	WP1	42.875	48.75	31.9375	1214	38.6	21 4116/26A	1	
B534	1310009634061	16	13.5	10.125		53	1.3	72	WBD BOX		CARTRIDGE, 40MM APER M576	WP1	40.5	48	35.875	1519	40.4	27 4116/26C	1	
B535	1310001593198	14.625	12.8125	8.375		45.9	0.9	44	WBD BOX	9209205	CARTRIDGE, 40MM ILLUMINATING WHITE STAR PARACHUTE M583A1	WP1	43.875	51.25	39	2110	50.7	48 4116/26H	1	
B535	1310009229780	14.625	12.8125	8.375		45.9	0.9	44	WBD BOX	9209205	CARTRIDGE, 40MM ILLUMINATING WHITE STAR PARACHUTE M583	WP1	43.875	51.25	39	2110	50.7	48 4116/26H	1	
B536	1310009229784	14.625	12.8125	8.375		45.9	0.9	44	WBD BOX	9209205	CARTRIDGE, 40MM ILLUMINATING WHITE STAR CLUSTER M585	WP1	43.875	51.25	39	2110	50.7	48 4116/26H	1	
B537	1310009359229	17.625	11.75	8		45	1	32	WBD BOX		CARTRIDGE, 40MM CHEMICAL AGENT CS M674	WP1A	35.25	47	53.5	2236	51.3	48 4116/26J	1	
B538	1310009359230	17.625	11.75	8		45	1	32	WBD BOX		CARTRIDGE, 40MM RED SMOKE M675	WP1A	35.25	47	53.5	2236	51.3	48 4116/26J	1	
B542	1310008676609	25.6875	16.25	6.125		53	1.5	50	WBD BOX		CARTRIDGE, 40MM HEDP M430 50/BELT	WP1	42.875	48.75	31.9375	1214	38.6	21 4116/26A	1	
B542	1310011598043	18.5937	8.2969	14.5937		60	1.3	48	M548	7258943	CARTRIDGE, 40MM HEDP M430 48/BELT	WP1	40.5	49.75	49	2324	57.1	36 4116/26N	1	
B542	1310013191541	18.75	6.375	10.375		42	0.7	32	PA120	12928042	CARTRIDGE, 40MM HEDP M430 32/BELT	MP2	37.875	45.5	37.25	1975	37.6	42 4232/21	6	
B542	1310013500247	18.5937	8.2969	14.5937		60	1.3	48	M548	7258943	CARTRIDGE, 40MM HEDP M430 LINKED	WP1	40.5	49.75	49	2324	57.1	36 4116/26N	1	
B542	1310013548745	18.75	6.375	10.375		42	0.7	32	PA120	12928042	CARTRIDGE, 40MM HEDP M430A1	MP2	37.875	45.5	37.25	1975	37.6	42 4232/21	6	
B542	1310013625295	18.75	6.375	10.375		42	0.7	32	PA120	12928042	CARTRIDGE, 40MM HEDP M430A1 32/BELT	WP1	40	51	36.125	2148	42.7	48 4116/26S	1	
B542	1310013625296	18.75	6.375	10.375		42	0.7	32	PA120	12928042	CARTRIDGE, 40MM HEDP M430 32/BELT	WP1	40	51	36.125	2148	42.7	48 4116/26S	1	
B542	1310014198203	18.75	6.375	10.375		42	0.7	32	PA120	12928042	CARTRIDGE, 40MM HEDP M430	MP2	37.875	45.5	37.25	1975	37.6	42 4232/21	6	
B542	1310014199285	18.75	6.375	10.375		42	0.7	32	PA120	12928042	CARTRIDGE, 40MM HEDP M430A1 32/BELT	WP1	40	51	36.125	2148	42.7	48 4116/26S	1	
B542	1310014209268	18.5937	8.2969	14.5937		60	1.3	48	M548	7258943	CARTRIDGE, 40MM HEDP M430A1 LINKED	WP1	40.5	49.75	49	2324	57.1	36 4116/26N	1	
B542	1310015642160	18.75	6.375	10.375		42	0.7	32	PA120	12928042	CARTRIDGE, 40MM HEDP M430A1 32/BELT	MP2	37.875	45.5	37.25	1975	37.6	42 4232/21	6	
B542	1310015675540	18.75	6.375	10.375		42	0.7	32	PA120	12928042	CARTRIDGE, 40MM HEDP M430A1 32/BELT	WP1	40	51	36.125	2148	42.7	48 4116/26S	1	
B546	1310009920451	16	13.5	10.125		53	1.3	72	WBD BOX		CARTRIDGE, 40MM HEDP M433	WP1	40.5	48	35.875	1519	40.4	27 4116/26C	1	
B549	1310010338282	22	11.75	11.75		115	1.8	16	MET BOX		CARTRIDGE, 40MM HEI-P M162	WP1A	35.25	45.5	40.75	2158	37.8	18 4116/26B	1	
B551	1310000391119	22	11.75	11.75		115	1.8	16	MET BOX		CARTRIDGE, 40MM AP M81A1	WP1A	35.25	45.5	40.75	2158	37.8	18 4116/26B	1	
B552	1310000391123	22	11.75	11.75		115	1.8	16	MET BOX		CARTRIDGE, 40MM AP-T M81A1 CLIPPED	WP1A	35.25	45.5	40.75	2158	37.8	18 4116/26B	1	
B552	1310003094929	22	18.125	13.25		158	3.1	24	WDN BOX		CARTRIDGE, 40MM AP-T M81A1 SINGLE RD	WP1	44	54.375	45.25	2930	62.7	18 4116/26J	1	
B552	1310003094931	21.75	7.375	10.875		48	1	6	WDN BOX		CARTRIDGE, 40MM AP-T M81A1 SINGLE RD	WP1	43.5	51.625	38.125	2105	49.5	42 4116/26D	1	
B552	1310003094932	22	18.125	13.25		159	3.1	24	WDN BOX		CARTRIDGE, 40MM AP-T M81A1 SINGLE RD	WP1	44	54.375	45.25	2948	62.7	18 4116/26J	1	
B552	1310003094933	21.75	7.375	10.875		48	1	6	WDN BOX		CARTRIDGE, 40MM AP-T M81A1 SINGLE RD	WP1	43.5	51.625	38.125	2105	49.5	42 4116/26D	1	
B552	1310003094934	22	11.75	11.75		115	1.8	16	MET BOX		CARTRIDGE, 40MM AP-T M81A1 4/CLIP	WP1A	35.25	45.5	40.75	2158	37.8	18 4116/26B	1	
B552	1310005540092	22	11.75	11.75		115	1.8	16	MET BOX		CARTRIDGE, 40MM AP-T M81A1 4/CLIP	WP1A	35.25	45.5	40.75	2158	37.8	18 4116/26B	1	
B553	1310000391182	22	11.75	11.75		115	1.8	16	MET BOX		CARTRIDGE, 40MM HEP MK2	WP1A	35.25	45.5	40.75	2158	37.8	18 4116/26B	1	
B555	1310000391224	22	11.75	11.75		115	1.8	16	MET BOX		CARTRIDGE, 40MM HEI-P MK2	WP1A	35.25	45.5	40.75	2158	37.8	18 4116/26B	1	
B558	1310000391187	22	11.75	11.75		115	1.8	16	MET BOX		CARTRIDGE, 40MM HEI-T-NSD MK2 4/CLIP	WP1A	35.25	45.5	40.75	2158	37.8	18 4116/26B	1	
B559	1310003094942	22	11.75	11.75		115	1.8	16	MET BOX		CARTRIDGE, 40MM HEI-T-SD MK2 4/CLIP	WP1A	35.25	45.5	40.75	2158	37.8	18 4116/26B	1	
B559	1310003094943	22	11.75	11.75		115	1.8	16	MET BOX		CARTRIDGE, 40MM HEI-T-SD MK2 4/CLIP	WP1A	35.25	45.5	40.75	2158	37.8	18 4116/26B	1	
B562	1310003094935	21.75	7.375	10.875		46	1	6	WDN BOX		CARTRIDGE, 40MM HE-T-SD MK2	WP1	43.5	51.625	38.125	2021	49.5	42 4116/26D	1	
B562	1310003094936	21.75	7.375	10.875		47	1	6	WDN BOX		CARTRIDGE, 40MM HE-T-SD MK2	WP1	43.5	51.625	38.125	2063	49.5	42 4116/26D		

DODIC	NSN	PACK LEN	PACK WID	PACK HGT	PACK DIA	PACK WGT	PACK CUBE	RDS/PACK	PACKAGE TYPE	PACKAGE DRAWING #	NOMENCLATURE	BASE TYPE	UNIT LOAD LEN	UNIT LOAD WID	UNIT LOAD HGT	UNIT LOAD WGT	UNIT LOAD CUBE	PKG/UNIT LOAD	UNIT LOAD DRAWING	SECT. 2 INDEX #
B565	1310000963056	22	11.875	13.375		92	2	12	WDN BOX		CARTRIDGE, 40MM DUMMY M25	WP1	44	53.5	41.125	2297	56	24 4116/26G	1	
B565	1310002942583	22	11.75	11.75		115	1.8	16	MET BOX		CARTRIDGE, 40MM DUMMY MK4-0	WP1A	35.25	45.5	40.75	2158	37.8	18 4116/26B	1	
B567	1310008492083	14.375	12.0625	7.0625		26	0.7	24	WBD BOX		CARTRIDGE, 40MM CHEMICAL AGENT CS M651E1	WP1A	36.8125	46.125	47.875	1506	46.2	54 4116/26L	1	
B568	1310007248081	16	13.5	10.125		53	1.3	72	WBD BOX		CARTRIDGE, 40MM HE M406	WP1	40.5	48	35.875	1519	40.4	27 4116/26C	1	
B569	1310000124541	16.8125	11.3125	13.375		54	1.5	72	WBD BOX		CARTRIDGE, 40MM HE M397	WP1A	35.125	45.5	45.625	1390	42.2	24 4116/26K	1	
B569	1310009793563	16.8125	11.3125	13.375		54	1.5	72	WBD BOX		CARTRIDGE, 40MM HE ICM M397	WP1A	35.125	45.5	45.625	1390	42.2	24 4116/26K	1	
B570	1310004713615	18.5937	8.2969	14.5937		59	1.3	72	M548	7258943	CARTRIDGE, 40MM HE M406 LINKED	WP1	40.5	49.75	49	2288	57.1	36 4116/26N	1	
B571	1310009760907	25.6875	16.25	6.125		53	1.5	50	WBD BOX		CARTRIDGE, 40MM HE M383E1 50/BELT	WP1	42.875	48.75	31.9375	1214	38.6	21 4116/26A	1	
B571	1310011962654	18.5937	8.2969	14.5937		60	1.3	48	M548	7258943	CARTRIDGE, 40MM HE M383E1 48/BELT	WP1	40.5	49.75	49	2324	57.1	36 4116/26N	1	
B572	1310009760908	25.6875	16.25	6.125		53	1.5	50	WBD BOX		CARTRIDGE, 40MM HE M384 LINKED	WP1	42.875	48.75	31.9375	1214	38.6	21 4116/26A	1	
B573	1310001339342	25.6875	16.25	6.125		53	1.5	50	WBD BOX		CARTRIDGE, 40MM HE M684 LINKED	WP1	42.875	48.75	31.9375	1214	38.6	21 4116/26A	1	
B574	1310007248162	16	13.5	10.125		53	1.3	72	WBD BOX		CARTRIDGE, 40MM HE M386	WP1	40.5	48	35.875	1519	40.4	27 4116/26C	1	
B575	1310007248163	16	13.5	10.125		53	1.3	72	WBD BOX		CARTRIDGE, 40MM HE M441	WP1	40.5	48	35.875	1519	40.4	27 4116/26C	1	
B576	1310009947441	25.6875	16.25	6.125		53	1.5	50	WBD BOX		CARTRIDGE, 40MM TP M385 50/BELT	WP1	42.875	48.75	31.9375	1214	38.6	21 4116/26A	1	
B576	1310011593184	18.5937	8.2969	14.5937		60	1.3	48	M548	7258943	CARTRIDGE, 40MM TP M385 48/BELT	WP1	40.5	49.75	49	2324	57.1	36 4116/26N	1	
B576	1310011873247	25.6875	16.25	6.125		53	1.5	50	WBD BOX		CARTRIDGE, 40MM TP M385 LINKED	WP1	42.875	48.75	31.9375	1214	38.6	21 4116/26A	1	
B576	1310013169973	18.75	6.375	10.375		42	0.7	32	PA120	12928042	CARTRIDGE, 40MM TP M385A1 32/BELT	MP2	37.875	45.5	37.25	1975	37.6	42 4232/21	6	
B576	1310013619039	18.75	6.375	10.375		42	0.7	32	PA120	12928042	CARTRIDGE, 40MM TP M385A1 32/BELT	MP2	40	51	36.125	2148	42.7	48 4116/26S	1	
B576	1310015720689	18.75	6.375	10.375		42	0.7	32	PA120	12928042	CARTRIDGE, 40MM TP M385A1 32/BELT	MP2	37.875	45.5	37.25	1975	37.6	42 4232/21	6	
B577	1310007248082	16	13.5	10.125		53	1.3	72	WBD BOX		CARTRIDGE, 40MM CHEMICAL AGENT CS M651E1	WP1	40.5	48	35.875	1519	40.4	27 4116/26C	1	
B577	1310009650738	16	13.5	10.125		53	1.3	72	WBD BOX		CARTRIDGE, 40MM TP M407A1/M407E3	WP1	40.5	48	35.875	1519	40.4	27 4116/26C	1	
B578	1310006905761	16	13.5	10.125		53	1.3	72	WBD BOX		CARTRIDGE, 40MM TP M387	WP1	40.5	48	35.875	1519	40.4	27 4116/26C	1	
B580	1310003085577	31.25	9.625	6.5		52	1.1	2	WDN BOX		CARTRIDGE, 57MM HE-T T18E1	SK1	48.125	31.25	38.25	1345	33.3	25 4138/1	2	
B582	1310003085620	27.75	9.75	6.5		46	1	2	WDN BOX		CARTRIDGE, 57MM DUMMY M22	WP1	40.5	55.5	44.5	2316	57.9	48 4116/27D	1	
B583	1310009263916	21.125	10.375	8.125		51	1	6	WDN BOX		CARTRIDGE, 57MM HEI-P AGU-9/B	WP1	42.25	48.75	47	2537	56	48 4116/27A	1	
B583	UNAS UNAS	25	15.375	14.25		160	3.2	20	WDN BOX		CARTRIDGE, 40MM	WP1	42.75	50	51.625	2969	63.9	18 4116/26P	1	
B584	1310012187069	18.5937	8.2969	14.5937		60	1.3	48	M548	7258943	CARTRIDGE, 40MM TP M918 48/BELT	WP1	40.5	49.75	49	2324	57.1	36 4116/26N	1	
B584	1310012187070	25.6875	16.25	6.125		53	1.5	50	WBD BOX		CARTRIDGE, 40MM TP M918 LINKED	WP1	42.875	48.75	31.9375	1214	38.6	21 4116/26A	1	
B584	1310013175948	18.75	6.375	10.375		42	0.7	32	PA120	12928042	CARTRIDGE, 40MM TP M918 32/BELT	MP2	37.875	45.5	37.25	1975	37.6	42 4232/21	6	
B584	1310013625294	18.75	6.375	10.375		42	0.7	32	PA120	12928042	CARTRIDGE, 40MM TP M918 32/BELT	MP2	40	51	36.125	2148	42.7	48 4116/26S	1	
B584	1310015720693	18.75	6.375	10.375		42	0.7	32	PA120	12928042	CARTRIDGE, 40MM TP M918 32/BELT	MP2	37.875	45.5	37.25	1975	37.6	42 4232/21	6	
B585	1310000284580	19.25	10.3125	8.125		49	0.9	6	WDN BOX		CARTRIDGE, 57MM CANISTER T25E5	WP1A	38.5	48.75	36.5	1836	39.6	36 4116/27B	1	
B585	1310009263953	19.25	10.3125	8.125		49	0.9	6	WDN BOX		CARTRIDGE, 57MM CANISTER T25E5	WP1A	38.5	48.75	36.5	1836	39.6	36 4116/27B	1	
B586	1310000284585	21.125	10.375	8.125		51	1	6	WDN BOX		CARTRIDGE, 57MM HE M306A1	WP1	42.25	48.75	47	2537	56	48 4116/27A	1	
B586	1310009261929	21.125	10.375	8.125		51	1	6	WDN BOX		CARTRIDGE, 57MM HE M306A1	WP1	42.25	48.75	47	2537	56	48 4116/27A	1	
B587	1310000284583	23	10.5	8.25		49	1.2	6	WDN BOX		CARTRIDGE, 57MM HEAT M307	WP1	42	48.25	46.75	2085	54.8	40 4116/27C	1	
B587	1310000284588	23	10.5	8.25		55	1.2	6	WDN BOX		CARTRIDGE, 57MM HEAT M307A1	WP1	42	48.25	46.75	2325	54.8	40 4116/27C	1	
B588	1310000284589	22.125	7.625	8.5		39	0.8	4	WDN BOX		CARTRIDGE, 57MM TP M306A1	WP1	44.25	53.375	48	2821	65.6	70 4116/27	1	
B590	1310000216050	21.5	10.5	8.125		49	1.1	6	WDN BOX		CARTRIDGE, 57MM SMOKE WP M308A1	WP1	42	48.75	48.5	2441	57.5	48 4015/1	3	
B590	1310000284582	22	7.625	8.5		38	0.8	4	WDN BOX		CARTRIDGE, 57MM SMOKE WP M308A1	WP1A	35.5	45.75	49.5	1914	46.5	48 4015/1A	3	
B590	1310001823233	21.5	10.5	8.125		49	1.1	6	WDN BOX		CARTRIDGE, 57MM SMOKE WP M308A1	WP1	42	48.75	48.5	2441	57.5	48 4015/1	3	
B592	1310012838652	20	11.75	10.5		66	1.4	60	WDN BOX		CARTRIDGE, 40MM TP M918 SINGLE RD	WP1	40	52.5	52.5	2729	63.8	40 4116/26T	1	
B606	1310002386559	22	11.75	11.75		115	1.8	16	MET BOX		CARTRIDGE, 40MM HEI-P AGU-9/B	WP1A	35.25	45.5	40.75	2158	37.8	18 4116/26B	1	
B611	1310010846953	20.5	14.0625	6		33	1	3	WDN BOX		SABOT, 60MM MORTAR	WP1	41	56.25	47.5	1935	63.4	56 4116/28K	1	
B617	1310013426874	23.375	17.375	18.6875		54	4.4	288	WBD BOX		CARTRIDGE, IGNITION M702	WP1A	37.375	46.75	40.25	503	40.7	8 4116/28R	1	
B622	1310000284981	13.625	13.625	11.5		70	1.2	1000	WDN BOX		CHG, PROPELLING M3A1 FOR 60MM MORTAR	WP1	40.875	54.5	51.5	3457	66.4	48 4116/28D	1	
B624	1310003011095	27.75	14	13.5		103	3	200	WDN BOX		FIN, MORTAR CARTRIDGE M5 FOR 60MM MORTAR	WP1	42	54	27.75	1321	36.4	12 4116/30	1	
B627	1310001437056	18.9375	10.75	11.8437		57	1.4	9	WDN BOX		CARTRIDGE, 60MM ILLUMINATING M83A3	WP1	40.125	53.75	52.875	2416	66	40 4116/28C	1	
B627	1310007825518	18.9375	10.75	11.8437		61	1.4	9	WDN BOX		CARTRIDGE, 60MM ILLUMINATING M83A3	WP1	40.125	53.75	52.875	2576	66	40 4116/28C	1	
B630	1310001401536	15	13.25	17.75		101	2	16	WBD BOX	9255568	CARTRIDGE, 60MM SMOKE WP M302A2	WP1	40	48	41	1934	45.6	18 4015/2	3	
B630	1310007825517	14.625	10.125	6.875		49	0.6	8	WDN BOX		CARTRIDGE, 60MM SMOKE WP M302	WP1	41.25	50.625	34.75	3027	42	60 4015/2A	3	
B630	1310009263951	17.375	10.6875	11.5625		67	1.2	9	WDN BOX		CARTRIDGE, 60MM SMOKE WP M302A1/M302E1	WP1	42.75	48.5	40.25	2247	48.3	32 4015/2B	3	
B630	1310009356189	17.375	10.6875	11.5625		67	1.2	9	WDN BOX		CARTRIDGE, 60MM SMOKE WP M302A1/M302E1	WP1	42.75	48.5	40.25	2247	48.3	32 4015/2B	3	
B630	1310009359129	17.375	10.6875	11.5625		67	1.2	9	WDN BOX		CARTRIDGE, 60MM SMOKE WP M302A2	WP1	42.75	48.5	40.25	2247	48.3	32 4015/2B	3	
B630	1310012409252	17.375	10.6875	11.5625		67	1.2	9	WDN BOX		CARTRIDGE, 60MM SMOKE WP M302A2	WP1	42.75	48.5	40.25	2247	48.3	32 4015/2B	3	
B632	1310000158809	17.5625	12.125	8.2187		49	1	10	WDN BOX	9281170	CARTRIDGE, 60MM HE M49A2	WP1	41.0938	48.5	40.625	2048	46.9	40 4116/28A	1	
B632	1310000284944	17.5625	12.125	8.2187		49	1	10	WDN BOX	9281170	CARTRIDGE, 60MM HE M49A2	WP1	41.0938	48.5	40.625	2048	46.9	40 4116/28A	1	
B632	1310001348359	14.9375	13.1875	14.625		86	1.7	16	WBD BOX		CARTRIDGE, 60MM HE M49A4	WP1	43.875	52.75	35.375	2152	47.4	24 4116/28E	1	
B632	1310001437021	17.5625	12.125	8.2187		49	1	10	WDN BOX	9281170	CARTRIDGE, 60MM HE M49A4	WP1	41.0938	48.5	40.625	2048	46.9	40 4116/28A	1	
B632	1310005420383	17.5625	12.125	8.2187		49	1	10	WDN BOX	9281170	CARTRIDGE, 60MM HE M49A2	WP1	41.0938	48.5	40.625	2048	46.9	40 4116/28A	1	
B632	1310005420384	13.75	9.75	9.75		42	0.8	8	MET BOX		CARTRIDGE, 60MM HE M49A2	WP1	41.25	48.75	34.75	1978	40.4	45 4116/28G	1	
B632	1310009269308	17.5625	14.125	8.2187																

DODIC	NSN	PACK LEN	PACK WID	PACK HGT	PACK DIA	PACK WGT	PACK CUBE	RDS/PACK	PACKAGE TYPE	PACKAGE DRAWING #	NOMENCLATURE	BASE TYPE	UNIT LOAD LEN	UNIT LOAD WID	UNIT LOAD HGT	UNIT LOAD WGT	UNIT LOAD CUBE	PKG/UNIT LOAD	UNIT LOAD DRAWING	SECT. 2 INDEX #
B634	131000284940	23.7656	7.3281	13.9219		73	1.4	14	WDN BOX	9281170	CARTRIDGE, 60MM TP M50A2	WP1A	36.75	47.5	47.25	2268	47.7	30 4116/28M	1	
B634	1310001436934	16.375	13.75	11.5		56	1.5	12	WDN BOX		CARTRIDGE, 60MM TP M50A2	WP1A	41.25	49.125	40	1584	46.9	27 *4116/28	1	
B634	1310005092970	23.7656	7.3281	13.9219		73	1.4	14	WDN BOX	9281170	CARTRIDGE, 60MM TP M50A2	WP1A	36.75	47.5	47.25	2268	47.7	30 4116/28M	1	
B634	1310005092978	23.7656	7.3281	13.9219		73	1.4	14	WDN BOX	9281170	CARTRIDGE, 60MM TP M50A2	WP1A	36.75	47.5	47.25	2268	47.7	30 4116/28M	1	
B634	1310009351995	16.375	13.75	11.5		67	1.5	12	WDN BOX		CARTRIDGE, 60MM TP M50A3	WP1A	41.25	49.125	40	1882	46.9	27 4116/28	1	
B634	1310009359139	16.375	13.75	11.5		56	1.5	12	WDN BOX		CARTRIDGE, 60MM TP M50A3	WP1A	41.25	49.125	40	1584	46.9	27 *4116/28	1	
B634	1310012764075	16.375	13.75	11.5		67	1.5	12	WDN BOX		CARTRIDGE, 60MM TP M50A3	WP1A	41.25	49.125	40	1882	46.9	27 4116/28	1	
B638	1310010156246	15.25	8.375	9.125		21	0.7	24	WDN BOX		PROJECTILE, 64MM RIOT CONTROL KE M743	WP1A	36.5	45.75	39	1080	37.7	48 4116/32	1	
B639	UNAS UNAS	15.25	8.375	9.125		21	0.7	24	WDN BOX		PROJECTILE, 64MM RIOT CONTROL CS M742	WP1A	36.5	45.75	39	1080	37.7	48 4116/32	1	
B642	1310010227680	14.9375	13.1875	17.75		112	2	16	WBD BOX		CARTRIDGE, 60MM HE M720	WP1B	44.75	53.25	45	3127	62.1	27 4116/28F	1	
B642	1310010227680	14.9375	13.1875	17.75		112	2	16	WBD BOX		CARTRIDGE, 60MM HE M720	WP1A	35.5	46.25	45	2106	42.8	18 4116/28F	1	
B643	1310011493185	14.9375	13.1875	17.75		101	2	16	WBD BOX		CARTRIDGE, 60MM HE M888	WP1A	35.5	46.25	45	2106	42.8	18 4116/28F	1	
B643	1310011493185	14.9375	13.1875	17.75		101	2	16	WBD BOX		CARTRIDGE, 60MM HE M888	WP1B	44.75	53.25	45	3127	62.1	27 4116/28F	1	
B645	1310012162706	27.625	12.5	6.8125		62	1.5	16	WBD BOX		CARTRIDGE, 60MM TP M840	WP1B	42.5	54.75	53.1875	2746	71.6	42 4116/28Q	1	
B646	1310012361354	15	13.25	17.75		112	2	16	WBD BOX		CARTRIDGE, 60MM SMOKE WP M722	WP1	40	48	41	2132	45.6	18 4015/2	3	
B647	1310012588689	15	13.25	20.25		116	2.3	16	WBD BOX		CARTRIDGE, 60MM ILLUMINATING M721	WP1	40.5	53	50.5	2872	62.7	24 4116/28P	1	
B647	1310015814232	12.3125	6.3125	18.8125		53	0.846	8	PA191	13027661	CARTRIDGE, 60MM ILLUMINATING M721	WP1	44.25	51.375	43.625	3112	57.4	56 4116/28U	1	
B653	1310012193937									X12953611	KIT, REFURBISHMENT FOR CARTRIDGE 60MM PRACTICE SR M766								999	
BA01	1310014137798	22	11.75	11.75		115	1.8	16	MET BOX		CARTRIDGE, 40MM HEI PGU-9C/B	WP1A	35.25	45.5	40.75	2158	37.8	18 4116/26B	1	
BA02	1310014137800	22	11.75	11.75		115	1.8	16	MET BOX		CARTRIDGE, 40MM HEI PGU-9B/B	WP1A	35.25	45.5	40.75	2158	37.8	18 4116/26B	1	
BA03	1310014221048	14.625	12.8125	8.375		45.9	0.9	44	WBD BOX	9209205	CARTRIDGE, 40MM INFRARED ILLUMINANT M992	WP1	43.875	51.25	39	2110	50.7	48 4116/26H	1	
BA03	1310016406429	14.625	12.8125	8.375		45.9	0.9	44	WBD BOX	9209205	CARTRIDGE, 40MM INFRARED ILLUMINANT M992	WP1	43.875	51.25	39	2110	50.7	48 4116/26H	1	
BA04	1310014386964	15	13.25	20.25		116	2.3	16	WBD BOX		CARTRIDGE, 60MM ILLUMINATING	WP1	40.5	53	50.5	2872	62.7	24 4116/28P	1	
BA04	1310015814807	12.3125	6.3125	18.8125		53	0.846	8	PA191	13027661	CARTRIDGE, 60MM INFRARED ILLUMINATING M767	WP1	44.25	51.375	43.625	3112	57.4	56 4116/28U	1	
BA06	1310014521190	14.625	12.8125	8.375		45.9	0.9	44	WBD BOX	9209205	CARTRIDGE, 40MM NON-LETHAL M1006	WP1	43.875	51.25	39	2110	50.7	48 4116/26H	1	
BA07	1310014539168	14.4375	12.5313	8.125		25.7	0.9	44	WBD BOX	7232154	CARTRIDGE, 40MM FOAM RUBBER BATON NON-LETHAL	WP1	43.5	51	39	1324	50.1	48	1	
BA07	1310015007532	14.4375	12.5313	8.125		25.7	0.9	44	WBD BOX	7232154	CARTRIDGE, 40MM FOAM RUBBER BATON NON-LETHAL	WP1	43.5	51	39	1324	50.1	48	1	
BA08	1310014539154	14.4375	12.5313	8.125		25.7	0.9	44	WBD BOX	7232154	CARTRIDGE, 40MM RUBBER BALL NON-LETHAL	WP1	43.5	51	39	1324	50.1	48	1	
BA08	1310015007529	14.4375	12.5313	8.125		25.7	0.9	44	WBD BOX	7232154	CARTRIDGE, 40MM RUBBER BALL NON-LETHAL	WP1	43.5	51	39	1324	50.1	48	1	
BA09	1310014540192	14.4375	12.5313	8.125		25.7	0.9	44	WBD BOX	7232154	CARTRIDGE, 40MM WOODEN BATON NON-LETHAL	WP1	43.5	51	39	1324	50.1	48	1	
BA11	1310014644117	18.75	6.375	10.375		42	0.7	32	PA120	12928042	CARTRIDGE, 40MM CANISTER M1001 LINKED	MP2	37.875	45.5	37.25	1975	37.6	42 4232/21	6	
BA11	1310014644121	18.75	6.375	10.375		42	0.7	32	PA120	12928042	CARTRIDGE, 40MM CANISTER M1001 32/BELT	WP1	40	51	36.125	2148	42.7	48 4116/26S	1	
BA12	1310014729871	18.75	6.375	10.375		42	0.7	32	PA120	12928042	CARTRIDGE, 40MM PRACTICE MK281 MOD 0 32/BELT	WP1	40	51	36.125	2148	42.7	48 4116/26S	1	
BA12	1310014729916	18.75	6.375	10.375		42	0.7	32	PA120	12928042	CARTRIDGE, 40MM PRACTICE MK281 MOD 0 32/BELT	MP2	37.875	45.5	37.25	1975	37.6	42 4232/21	6	
BA12	1310015869867	18.75	6.375	10.375		42	0.7	32	PA120	12928042	CARTRIDGE, 40MM PRACTICE MK281 MOD 2 32/BELT	WP1	40	51	36.125	2148	42.7	48 4116/26S	1	
BA13	1310014750628	14.625	12.8125	8.375		45.9	0.9	44	WBD BOX	9209205	CARTRIDGE, 40MM NON-LETHAL CROWD DISPERSAL M1029	WP1	43.875	51.25	39	2110	50.7	48 4116/26H	1	
BA14	1310014821259	15	13.25	17.75		112	2	16	WBD BOX		CARTRIDGE, 60MM SMOKE WP M722A1	WP1	40	48	41	2132	45.6	18 4015/2	3	
BA14	1310015681258	15	13.25	20.25		116	2.3	16	WBD BOX	13022744	CARTRIDGE, 60MM SMOKE WP M722A1	WP1B	45	53	46	2884	63.5	24 4015/2C	3	
BA14	1310015814251	12.3125	6.3125	18.8125		53	0.846	8	PA191	13027661	CARTRIDGE, 60MM SMOKE WP M722A1	WP1	44.25	51.375	45.625	3112	57.4	56 4015/2D	3	
BA15	1310014821257	32.875	12.5	6.8125		94	1.7	16	WBD BOX	12992898	CARTRIDGE, 60MM FULL RANGE PRACTICE XM769	WP1	40.875	50	38.375	2256	45.4	24 4116/28S	1	
BA16	1310014184362	15	13.25	20.25		116	2.3	16	WBD BOX	9390711	CARTRIDGE, 60MM HE M720A1	WP1B	45	53	46	2884	63.5	24 4116/28T	1	
BA17	1310014871944	15	13.25	20.25		116	2.3	16	WBD BOX	9390711	CARTRIDGE, 60MM HE M768	WP1B	45	53	46	2884	63.5	24 4116/28T	1	
BA21	1310015308878	18.75	6.375	10.375		42	0.7	32	PA120	12928042	CARTRIDGE, 40MM PRACTICE DAY/NIGHT MARKING MK281 MOD 1 32/BELT	WP1	40	51	36.125	2148	42.7	48 4116/26S	1	
BA21	1310015869864	18.75	6.375	10.375		42	0.7	32	PA120	12928042	CARTRIDGE, 40MM PRACTICE DAY/NIGHT MARKING MK281 MOD 3 32/BELT	WP1	40	51	36.125	2148	42.7	48 4116/26S	1	
BA28	1310015416210	15	13.25	20.25		120	2.3	16	WBD BOX	9390711	CARTRIDGE, 60MM HE M1046	WP1B	45	53	46	2980	63.5	24 4116/28T	1	
BA29	1310015416178	15	13.25	20.25		120	2.3	16	WBD BOX	9390711	CARTRIDGE, 60MM HE M1061	WP1B	45	53	46	2980	63.5	24 4116/28T	1	
BA30	1310015418181	18.75	6.375	10.375		42	0.7	32	PA120	12928042	CARTRIDGE, 40MM LINKED 2 TP M918/1 PRACTICE M385A1 32/BELT	MP2	37.875	45.5	37.25	1975	37.6	42 4232/21	6	
BA44	1310016224345	12.3125	6.3125	18.8125		53	0.846	8	PA191	13027661	CARTRIDGE, 60MM HE M720A2	WP1	44.25	51.375	43.625	3112	57.4	56 4116/28U	1	
BA45	1310016226414	12.3125	6.3125	18.8125		53	0.846	8	PA191	13027661	CARTRIDGE, 60MM HE INSENSITIVE MUNITION M768A1	WP1	44.25	51.375	43.625	3112	57.4	56 4116/28U	1	
BA49	1310016242826	18.75	6.375	10.375		42	0.7	32	PA120	12928042	CARTRIDGE, 40MM REFERENCE M385A1 32 UNLINKED	WP1	40	51	36.125	2148	42.7	48 4116/26S	1	
BA54	1310016672668	22.375	10.8125	10.625		61	1.5	100	WBD BOX	13071653	CARTRIDGE, 40MM TARGET PRACTICE DAY/NIGHT/THERMAL (TP-DNT) M781E1	WP1B	42.5	54.0625	27.875	1319	37.1	20 4116/26Q	1	
BA55	1310016671453	18.75	6.375	10.375		42	0.7	32	PA120	12928042	CARTRIDGE, 40MM TP-DNT M918E1 32/BELT	WP1	40	51	36.125	2148	42.7	48 4116/26S	1	
BA55	1310016709894	18.75	6.375	10.375		42	0.7	32	PA120	13071651	CARTRIDGE, 40MM TP-DNT M918E1 32/BELT	MP2	37.875	45.5	37.25	1975	37.6	42 4232/21	6	
BWAG	1410013544319								CNU-242		GM, EVALUATION PHOENIX AEM-54C SEALED		168	38	30	3115	110.8	2	194	
BWAI	1410013544320								CNU-242		GM, EVALUATION PHOENIX AIM-54C SEALED		168							

DODIC	NSN	PACK LEN	PACK WID	PACK HGT	PACK DIA	PACK WGT	PACK CUBE	RDS/ PACK	PACKAGE TYPE	PACKAGE DRAWING #	NOMENCLATURE	BASE TYPE	UNIT LOAD LEN	UNIT LOAD WID	UNIT LOAD HGT	UNIT LOAD WGT	UNIT LOAD CUBE	PKG/ UNIT LOAD	UNIT LOAD DRAWING	SECT. 2 INDEX #
BWDF	6920014111295								CNU-431		GM, TRAINING CATM-120B AMRAAM		174	38.125	18.9375	2000	72.7	4	8644140	142
BWDH	1325014220819	18.625	8.25	14.5		20	1.3	2	M548		PROXIMITY SENSOR, DUMMY DSU-33A(D-2)/B	MK3 MP	40.25	49.5	34.5	640	40	24	6214082	1
BWDL	1325014246864	18.625	8.25	14.5		30	1.3	2	M548		PROXIMITY SENSOR, DSU-33A/B	MK3 MP	40.25	49.5	34.5	880	40	24	6214082	1
BWDW	6920014192214								CNU-431		GM, TRAINING CATM-120B AMRAAM		174	38.125	18.9375	3420	72.7	4	8644140	142
BWDZ	1410012799970								MK607	DL26445309	MISSILE BODY, EXERCISE TM-84D-1 HARPOON		168	38	32.625	3389	120.5	2	OR-68/103	145
BWDZ	1410012799972								MK607	DL26445309	MISSILE BODY, EXERCISE TM-84D-1B HARPOON		168	38	32.625	3389	120.5	2	OR-68/103	145
BWFN	1410014446168								MK607	DL26445309	MISSILE BODY, IMPROVED EXERCISE TM-84D-1B HARPOON		168	38	32.625	3175	120.5	2	OR-68/103	145
BWFO	1410014446169								MK607	DL26445309	MISSILE BODY, IMPROVED EXERCISE TM-84D-1B HARPOON		168	38	32.625	3175	120.5	2	OR-68/103	145
BWFP	1410014446167								MK607	DL26445309	MISSILE BODY, IMPROVED EXERCISE TM-84G-1B HARPOON		168	38	32.625	3175	120.5	2	OR-68/103	145
BWFP	1410014446166								MK607	DL26445309	MISSILE BODY, IMPROVED EXERCISE TM-84G-1B HARPOON		168	38	32.625	3175	120.5	2	OR-68/103	145
BWFR	1410014449031								MK724-0	OR-68/148	MISSILE BODY, EXERCISE TM-84E-1C SLAM		186	37.625	30.25	3800	122.5	2	OR-68/148	183
BWGD	6920014500834								CNU-575		GM, DUMMY JSOW DATM-154A NAVY/AF		179.75	31	31	2217	100	1	3181A53000	164
BWGF	1325014530723	18.625	8.25	14.5		30	1.3	2	M548		PROXIMITY SENSOR, DSU-33B/B	MK3 MP	40.25	49.5	34.5	880	40	24	6214082	1
BWHH	1325014993356								CNU-439		ADAPTER GROUP, ADG-770A(D-2)/B		62	38	26.625	553	36.3	4	8644260	175
BWHH	1325014993746								CNU-373	817218-30	AIRFOIL GROUP, BSU-84B(D-2)/B		64.25	44	38.5	1192	63	1		167
BY01	1325013948480	18.625	8.25	14.5		40	1.3	2	M548		PROXIMITY SENSOR, DSU-33A/B	MK3 MP	40.1875	49.625	35.125	1120	40.5	24	F013948480	1
BY02	1325013948481	18.625	8.25	14.5		40	1.3	2	M548		PROXIMITY SENSOR, DUMMY DSU-33A(D-2)/B	MK3 MP	40.1875	49.625	35.125	1120	40.5	24	F013948480	1
BY04	1325012240813	12	6.125	13.375		21	0.58	2	PA60	8983550	FUZE, SYSTEM FMU 143/B	WP	48.75	48	32.25	1206	39.2	56	8983670	1
BY28	1325013861096	49.5	13.8125	12.5		141	4.95	1	CNU-371	817352-10	GUIDANCE CONTROL UNIT, WGU-36A/B FOR GBU-28	MK3 MP	41.4375	49.5	41.5	1375	48.7	9	6214084	191
BY30	1325014474160	18.625	8.25	14.5		40	1.3	2	M548		PROXIMITY SENSOR, DSU-33B/B	MK3 MP	40.1875	49.625	35.125	1120	40.5	24	F013948480	1
C004	1315003285666	23.0625	14.0625	6		40	1.1	3	WDN BOX		SABOT, 81MM MORTAR PRACTICE M1	WP1	42.25	48	51.625	2016	60.6	32	4116/43F	1
C025	1315000963087	22.8125	13.4375	10.5		79	1.9	15	WDN BOX		CARTRIDGE, 75MM BLANK M337A2	WP1B	42	53.75	51.125	2625	66.8	32	4116/40	1
C025	1315000963088	22.8125	13.4375	10.5		79	1.9	15	WDN BOX		CARTRIDGE, 75MM BLANK M337A2	WP1B	42	53.75	51.125	2625	66.8	32	4116/40	1
C025	1315008924951	22.8125	13.4375	10.5		74	1.9	15	WDN BOX		CARTRIDGE, 75MM BLANK M337A1	WP1B	42	53.75	51.125	2625	66.8	32	4116/40	1
C025	1315013073944	22.8125	13.4375	10.5		65	1.9	15	WDN BOX		CARTRIDGE, 75MM BLANK M337A2	WP1B	42	53.75	51.125	2177	66.8	32	4116/40	1
C027	1310000284680	29.25			4.938	34	0.3	1	M173		CARTRIDGE, 75MM HE M48	WP1	40	48	35.5	2206	39.4	60	4079/1	7
C027	1310000284689	29.25			4.938	34	0.3	1	M173		CARTRIDGE, 75MM HE M48	WP1	40	48	35.5	2206	39.4	60	4079/1	7
C027	1310000284692	29.25			4.938	34	0.3	1	M173		CARTRIDGE, 75MM HE M48	WP1	40	48	35.5	2206	39.4	60	4079/1	7
C027	1310001654535	29.25			4.938	34	0.3	1	M173		CARTRIDGE, 75MM HE M48	WP1	40	48	35.5	2206	39.4	60	4079/1	7
C027	1310009650703	29.25			4.938	34	0.3	1	M173		CARTRIDGE, 75MM HE M48	WP1	40	48	35.5	2206	39.4	60	4079/1	7
C032	1315000215929	29.25			4.938	33	0.3	1	M173		CARTRIDGE, 75MM SMOKE WP M64	WP1	40	48	35.5	2146	39.4	60	4015/3	3
C032	1315000284682	29.25			4.938	37	0.3	1	M173		CARTRIDGE, 75MM SMOKE WP M64	WP1	40	48	35.5	2386	39.4	60	4015/3	3
C032	1315000284687	29.25			4.938	36	0.3	1	M173		CARTRIDGE, 75MM SMOKE WP M64	WP1	40	48	35.5	2326	39.4	60	4015/3	3
C045	1315012193936	41	20.25	14.625		125	7	100	WBD BOX		KIT, REFURBISHMENT F/CARTRIDGE 81MM PRACTICE	WP1B	42	58.5	46.5	1114	66.1	8	4116/43Q	1
C051	1315000284654	34.25	11.25	7.25		81	1.6	2	WDN BOX		CARTRIDGE, 75MM HE M309	SK1	45	34.25	42	1662	37.5	20	4138/10	2
C051	1315000284658	34.25	11.25	7.25		80	1.6	2	WDN BOX		CARTRIDGE, 75MM HE M309A1	SK1	45	34.25	42	1642	37.5	20	4138/10	2
C051	1315008924896	34.25	11.25	7.25		80	1.6	2	WDN BOX		CARTRIDGE, 75MM HE M309A1	SK1	45	34.25	42	1642	37.5	20	4138/10	2
C052	1315000284662	34.25	11.25	7.25		73	1.6	2	WDN BOX		CARTRIDGE, 75MM HEAT M310A1	SK1	45	34.25	42	1502	37.5	20	4138/10	2
C053	1315000284651	34.25	11.25	7.25		70	1.6	2	WDN BOX		CARTRIDGE, 75MM HEP-T M349	SK1	45	34.25	42	1442	37.5	20	4138/10	2
C054	1315000284661	34.25	11.25	7.25		78	1.6	2	WDN BOX		CARTRIDGE, 75MM TP M309A1	SK1	45	34.25	42	1602	37.5	20	4138/10	2
C056	1315000284648	34.125	12.25	7.625		77	1.8	2	WDN BOX		CARTRIDGE, 75MM SMOKE WP M311	WP1A	36.75	45.75	39.625	1458	38.6	18	4015/3A	3
C056	1315000284649	34.125	11.5	7.25		81	1.6	2	WDN BOX		CARTRIDGE, 75MM SMOKE WP M311A1	WP1A	36.25	46	39.625	1690	38.2	20	4015/3B	3
C056	1315000284650	34.125	11.5	7.25		74	1.6	2	WDN BOX		CARTRIDGE, 75MM SMOKE WP M311	WP1A	36.25	46	39.625	1550	38.2	20	4015/3B	3
C057	1315000284659	34.25	11.25	7.25		73	1.6	2	WDN BOX		CARTRIDGE, 75MM HE M309A1	SK1	45	34.25	42	1502	37.5	20	4138/10	2
C075	1315000284622	31.25	9.75	6.5		63	1.1	2	WDN BOX		CARTRIDGE, 75MM APC-T M61	SK1	48.75	31.25	38.25	1622	33.7	25	4138/10A	2
C075	1315000284625	32.75	9.75	9.75		116	1.8	4	WDN BOX		CARTRIDGE, 75MM APC-T M61	SK1	48.75	32.75	35	1787	32.3	15	4138/10B	2
C075	1315000284628	31.25	9.75	6.5		63	1.1	2	WDN BOX		CARTRIDGE, 75MM APC-T M61A1	SK1	48.75	31.25	38.25	1622	33.7	25	4138/10A	2
C079	1315000284608	31.25	9.75	6.5		60	1.1	2	WDN BOX		CARTRIDGE, 75MM HE M48	SK1	48.75	31.25	38.25	1547	33.7	25	4138/10A	2
C079	1315000284629	31.25	9.75	6.5		62	1.1	2	WDN BOX		CARTRIDGE, 75MM HE M48	SK1	48.75	31.25	38.25	1597	33.7	25	4138/10A	2
C079	1315009650731	31.25	9.75	6.5		60	1.1	2	WDN BOX		CARTRIDGE, 75MM HE M48	SK1	48.75	31.25	38.25	1547	33.7	25	4138/10A	2
C098	1315007528475	39.375	11.125	7.25		90	1.8	2	WDN BOX		CARTRIDGE, 76MM TP-T M340A1	SK1	44.5	39.375	42	1846	42.6	20	4138/11	2
C110	1315007562833	39.375	11.125	7.25		73	1.8	2	WDN BOX		CARTRIDGE, 76MM HEAT-T M496	SK1	44.5	39.375	42	1496	42.6	20	4138/11	2
C121	1315000473867	39.375	11.125	7.25		84	1.8	2	WDN BOX		CARTRIDGE, 76MM CANISTER M363	SK1	44.5	39.375	42	1726	42.6	20	4138/11	2
C122	1315000284732	39.375	11.125	7.25		84	1.8	2	WDN BOX		CARTRIDGE, 76MM HE M352	SK1	44.5	39.375	42	1726	42.6	20	4138/11	2
C122	1315000284734	39.375	11.125	7.25		84	1.8	2	WDN BOX		CARTRIDGE, 76MM HE M352	SK1	44.5	39.375	42	1726	42.6	20	4138/11	2
C122	1315000895167	39.375	11.125	7.25		84	1.8	2	WDN BOX		CARTRIDGE, 76MM HE M352	SK1	44.5	39.375	42	1726	42.6	20	4138/11	2
C128	1315000284737	39.875	10.875	7.25		85	1.8	2	WDN BOX		CARTRIDGE, 76MM SMOKE WP M361	WP1A	36.25	46.5	45.375	1806	44.3	20	4015/	

DODIC	NSN	PACK LEN	PACK WID	PACK HGT	PACK DIA	PACK WGT	PACK CUBE	RDS/PACK	PACKAGE TYPE	PACKAGE DRAWING #	NOMENCLATURE	BASE TYPE	UNIT LOAD LEN	UNIT LOAD WID	UNIT LOAD HGT	UNIT LOAD WGT	UNIT LOAD CUBE	PKG/UNIT LOAD	UNIT LOAD DRAWING	SECT. 2 INDEX #
C225	131500554778	17.75	9.75	10.5		50	1.1	4	WDN BOX		CARTRIDGE, 81MM HE M43A1	WP1	42	48.75	41	2088	48.6	40 4116/43A	1	
C225	1315005851739	17.75	9.75	10.5		50	1.1	4	WDN BOX		CARTRIDGE, 81MM HE M43A1	WP1	42	48.75	41	2088	48.6	40 4116/43A	1	
C225	1315009269360	17.75	9.75	10.5		50	1.1	4	WDN BOX		CARTRIDGE, 81MM HE M43A1	WP1	42	48.75	41	2088	48.6	40 4116/43A	1	
C226	1315000284964	30.5625	13.8125	6.6562		54	1.6	3	WDN BOX		CARTRIDGE, 81MM ILLUMINATING M301A2	WP1B	43	61.125	52.125	2392	79.3	42 4116/43G	1	
C226	1315001437048	30.5625	13.8125	6.6562		54	1.6	3	WDN BOX		CARTRIDGE, 81MM ILLUMINATING M301A3	WP1B	43	61.125	52.125	2392	79.3	42 4116/43G	1	
C226	1315001437122	30.5625	13.8125	6.6562		54	1.6	3	WDN BOX		CARTRIDGE, 81MM ILLUMINATING M301A2	WP1B	43	61.125	52.125	2392	79.3	42 4116/43G	1	
C226	1315001645290	30.5625	13.8125	6.6562		54	1.6	3	WDN BOX		CARTRIDGE, 81MM ILLUMINATING M301A1	WP1B	43	61.125	52.125	2392	79.3	42 4116/43G	1	
C226	1315001645339	30.5625	13.8125	6.6562		54	1.6	3	WDN BOX		CARTRIDGE, 81MM ILLUMINATING M301A3	WP1B	43	61.125	52.125	2392	79.3	42 4116/43G	1	
C226	1315012775554	30.5625	13.8125	6.6562		54	1.6	3	WDN BOX		CARTRIDGE, 81MM ILLUMINATING M301A1/A2	WP1B	43	61.125	52.125	2392	79.3	42 4116/43G	1	
C227	1315005092972	17.75	9.75	10.5		50	1.1	4	WDN BOX		CARTRIDGE, 81MM TP M43A1	WP1	42	48.75	41	2088	48.6	40 4116/43A	1	
C227	1315009351992	17.75	9.75	10.5		50	1.1	4	WDN BOX		CARTRIDGE, 81MM TP M43A1	WP1	42	48.75	41	2088	48.6	40 4116/43A	1	
C230	1315005408499	28	9.6875	6.4688		43	1	2	WDN BOX		CARTRIDGE, 81MM SMOKE WP M57 W/PD FUZE	WP1	40.375	48.5	33.5	1391	38	30 4015/5	3	
C230	1315006037768	28	9.6875	6.4688		43	1	2	WDN BOX		CARTRIDGE, 81MM SMOKE WP M57 W/PD FUZE	WP1	40.375	48.5	33.5	1391	38	30 4015/5	3	
C230	1315006824626	28	9.6875	6.4688		43	1	2	WDN BOX		CARTRIDGE, 81MM SMOKE WP M57A1 W/PD FUZE	WP1	40.375	48.5	33.5	1391	38	30 4015/5	3	
C230	1315006824627	28	9.6875	6.4688		43	1	2	WDN BOX		CARTRIDGE, 81MM SMOKE WP M57A1 W/PD FUZE	WP1	40.375	48.5	33.5	1391	38	30 4015/5	3	
C230	1315007296566	28	9.6875	6.4688		43	1	2	WDN BOX		CARTRIDGE, 81MM SMOKE WP M57A1 W/PD FUZE	WP1	40.375	48.5	33.5	1391	38	30 4015/5	3	
C230	1315009359209	28	9.6875	6.4688		43	1	2	WDN BOX		CARTRIDGE, 81MM SMOKE WP M57A1 W/PD FUZE	WP1	40.375	48.5	33.5	1391	38	30 4015/5	3	
C230	1315009359210	28	9.6875	6.4688		43	1	2	WDN BOX		CARTRIDGE, 81MM SMOKE WP M57 W/PD FUZE	WP1	40.375	48.5	33.5	1391	38	30 4015/5	3	
C231	1315000284989	28	9.6875	6.4688		43	1	2	WDN BOX		CARTRIDGE, 81MM SMOKE WP M57A1 W/MTSQ FUZE	WP1	40.375	48.5	33.5	1391	38	30 4015/5	3	
C234	1315008924101	21.5	11.5	5.375		38	0.8	3	WDN BOX		CARTRIDGE, 81MM SMOKE WP M370	WP1A	37.625	46	48.5	2200	48.6	56 4015/5A	3	
C236	1315001437184	26.125	13.75	6.625		51	1.4	3	WDN BOX		CARTRIDGE, 81MM HE M374A2 W/O FUZE	WP1	41.25	52.25	38.625	1618	48.2	30 4116/43	1	
C236	1315009356007	26.125	13.75	6.625		53	1.4	3	WDN BOX		CARTRIDGE, 81MM HE M374 W/O FUZE	WP1	41.25	52.25	38.625	1678	48.2	30 4116/43	1	
C236	1315009356013	26.125	13.75	6.625		51	1.4	3	WDN BOX		CARTRIDGE, 81MM HE M374 W/O FUZE	WP1	41.25	52.25	38.625	1618	48.2	30 4116/43	1	
C236	1315009356033	26.125	13.75	6.625		51	1.4	3	WDN BOX		CARTRIDGE, 81MM HE M374 W/O FUZE	WP1	41.25	52.25	38.625	1618	48.2	30 4116/43	1	
C236	1315013550736	26.125	13.75	6.625		51	1.4	3	WDN BOX		CARTRIDGE, 81MM HE M374 W/O FUZE	WP1	41.25	52.25	38.625	1618	48.2	30 4116/43	1	
C242	1315000284956	23.5	10	11		42	1.5	800	WDN BOX		CARTRIDGE, IGNITION M6 FOR 81MM MORTAR	WP1	44	50	52.5	1768	66.8	40 4116/42	1	
C242	1315000284957	28.25	8.625	8.625		50	1.2	1200	WDN BOX		CARTRIDGE, IGNITION M6 FOR 81MM MORTAR	SK1	51.75	28.25	40.25	1247	34.1	24 4138/12A	2	
C251	1315009263927	30.125	8.5	8.25		51	1.2	4	WBD BOX		CARTRIDGE, 81MM ILLUM	WP1	41.25	51	35.625	1618	43.4	30 4116/43B	1	
C256	1315001348984	26.125	13.75	6.625		51	1.4	3	WDN BOX		CARTRIDGE, 81MM HE M374A2 W/PD FUZE	WP1	41.25	52.25	38.625	1618	48.2	30 4116/43	1	
C256	1315001436960	26.125	13.75	6.625		53	1.4	3	WDN BOX		CARTRIDGE, 81MM HE M374 W/PD FUZE	WP1	41.25	52.25	38.625	1678	48.2	30 4116/43	1	
C256	1315004986407	26.125	13.75	6.625		51	1.4	3	WDN BOX		CARTRIDGE, 81MM HE M374A2 W/PD FUZE	WP1	41.25	52.25	38.625	1618	48.2	30 4116/43	1	
C256	1315005637067	25.125	13.375	5.3125		46	1	3	WBD BOX	12630597	CARTRIDGE, 81MM HE M374A3 W/PD FUZE	WP1	40.125	50.25	43.4375	1757	50.7	36 4116/43D	1	
C256	1315005637072	26.125	15.25	7.5		49	1.7	3	WBD BOX		CARTRIDGE, 81MM HE M374 W/PD FUZE	WP1	40.5	52.25	51.25	1614	62.8	30 4116/43E	1	
C256	1315007825544	26.125	13.75	6.625		53	1.4	3	WDN BOX		CARTRIDGE, 81MM HE M374 W/PD FUZE	WP1	41.25	52.25	38.625	1678	48.2	30 4116/43	1	
C256	1315007825547	26.125	13.75	6.625		53	1.4	3	WDN BOX		CARTRIDGE, 81MM HE M374 W/PD FUZE	WP1	41.25	52.25	38.625	1678	48.2	30 4116/43	1	
C256	1315009351931	26.125	13.75	6.625		51	1.4	3	WDN BOX		CARTRIDGE, 81MM HE M374A2 W/PD FUZE	WP1	41.25	52.25	38.625	1618	48.2	30 4116/43	1	
C256	1315009356002	26.125	13.75	6.625		53	1.4	3	WDN BOX		CARTRIDGE, 81MM HE M374 W/PD FUZE	WP1	41.25	52.25	38.625	1678	48.2	30 4116/43	1	
C256	1315009356008	26.125	13.75	6.625		53	1.4	3	WDN BOX		CARTRIDGE, 81MM HE M374 W/PD FUZE	WP1	41.25	52.25	38.625	1678	48.2	30 4116/43	1	
C256	1315009356010	26.125	13.75	6.625		51	1.4	3	WDN BOX		CARTRIDGE, 81MM HE M374 W/PD FUZE	WP1	41.25	52.25	38.625	1618	48.2	30 4116/43	1	
C256	1315009356011	26.125	13.75	6.625		51	1.4	3	WDN BOX		CARTRIDGE, 81MM HE M374 W/PD FUZE	WP1	41.25	52.25	38.625	1618	48.2	30 4116/43	1	
C256	1315009356030	26.125	13.75	6.625		51	1.4	3	WDN BOX		CARTRIDGE, 81MM HE M374 W/PD FUZE	WP1	41.25	52.25	38.625	1618	48.2	30 4116/43	1	
C256	1315009356031	26.125	13.75	6.625		51	1.4	3	WDN BOX		CARTRIDGE, 81MM HE M374 W/PD FUZE	WP1	41.25	52.25	38.625	1618	48.2	30 4116/43	1	
C256	1315009356032	26.125	13.75	6.625		51	1.4	3	WDN BOX		CARTRIDGE, 81MM HE M374 W/PD FUZE	WP1	41.25	52.25	38.625	1618	48.2	30 4116/43	1	
C256	1315011277481	26.125	13.75	6.625		51	1.4	3	WDN BOX		CARTRIDGE, 81MM HE M374 W/PD FUZE	WP1	41.25	52.25	38.625	1618	48.2	30 4116/43	1	
C256	1315011476307	26.125	13.75	6.625		51	1.4	3	WDN BOX		CARTRIDGE, 81MM HE M374 W/PD FUZE	WP1	41.25	52.25	38.625	1618	48.2	30 4116/43	1	
C258	1315001475895	43.6259	12.875	8.1562		131	2.7	2	WDN BOX		CARTRIDGE, 90MM SMOKE WP M313C	WP1	40.125	49	49.125	2470	55.9	18 4015/6	3	
C258	1315008921593	43.625	12.875	8.1562		131	2.7	2	WDN BOX		CARTRIDGE, 90MM SMOKE WP M313C	WP1	40.125	49	49.125	2470	55.9	18 4015/6	3	
C258	1315008921594	43.625	12.875	8.1562		131	2.7	2	WDN BOX		CARTRIDGE, 90MM SMOKE WP M313C	WP1	40.125	49	49.125	2470	55.9	18 4015/6	3	
C260	1315000284424	43.625	13	8.1562		131	2.7	2	WDN BOX		CARTRIDGE, 90MM APC-T M82	WP1	43.625	52	38.125	2183	50.1	16 4116/44	1	
C261	1315005421639	25.75	13	10.25		106	2	8	WDN BOX		CARTRIDGE, 90MM BLANK M394	WP1A	39	51.5	36.25	1980	42.1	18 4116/44B	1	
C261	1315006789911	25.75	13	10.25		106	2	8	WDN BOX		CARTRIDGE, 90MM BLANK M394	WP1A	39	51.5	36.25	1980	42.1	18 4116/44B	1	
C262	1315000284431	39	12.875	8.875		111	2.6	2	WDN BOX		CARTRIDGE, 90MM CANISTER APER M336	SK1	51.5	39	41.25	1827	47.9	16 4138/13	2	
C262	1315003011080	39	12.875	8.875		111	2.6	2	WDN BOX		CARTRIDGE, 90MM CANISTER APER M336	SK1	51.5	39	41.25	1827	47.9	16 4138/13	2	
C263	1315000284507	43.625	13	8.1562		125	2.7	2	WDN BOX		CARTRIDGE, 90MM DUMMY M12	WP1	43.625	52	38.125	2087	50.1	16 4116/44	1	
C265	1315000284438	43.625	13	8.1562		132	2.7	2	WDN BOX		CARTRIDGE, 90MM HE M71 W/MTSQ FUZE	WP1	43.625	52	38.125	2199	50.1	16 4116/44	1	
C265	1315000284445	43.625	13	8.1562		132	2.7	2	WDN BOX		CARTRIDGE, 90MM HE M71 W/MTSQ FUZE	WP1	43.625	52	38.125	2199	50.1	16 4116/44	1	
C265	1315000284465	43.375			6.125	68	0.7	1	M159		CARTRIDGE, 90MM HE M71 W/MTSQ FUZE	WP1A	37.75	46.375	38	2176	38.5	30 4079/3	8	
C265	1315000284468	43.625	13	8.1562		132	2.7	2	WDN BOX		CARTRIDGE, 90MM HE M71 W/MTSQ FUZE	WP1	43.625	52	38.125	2199	50.1	16 4116/44	1	
C265	1315000284469	43.375			6.125	68	0.7	1	M159		CARTRIDGE, 90MM HE M71 W/MTSQ FUZE	WP1A	37.75	46.375	38	2176	38.5	30 4079/3	8	
C265	1315000284484	43.625	13	8.1562		132	2.7	2	WDN BOX		CARTRIDGE, 90MM HE M71 W/MTSQ FUZE	WP1	43.625	52	38.125	2199	50.1	16 4116/44	1	
C265	1315003011745	43.625	13	8.1562		132	2.7	2	WDN BOX		CARTRIDGE, 90MM HE M71 W/MTSQ FUZE	WP1	43.625	52	38.125	2199	50.1	16 4116/44	1	
C265	1315003050858	43.375			6.125	68	0.7	1	M159		CARTRIDGE, 90MM HE M71 W/MTSQ FUZE	WP1A	37.75	46.375	38	2176	38.5	30 4079/3	8	

DODIC	NSN	PACK LEN	PACK WID	PACK HGT	PACK DIA	PACK WGT	PACK CUBE	RDS/PACK	PACKAGE TYPE	PACKAGE DRAWING #	NOMENCLATURE	BASE TYPE	UNIT LOAD LEN	UNIT LOAD WID	UNIT LOAD HGT	UNIT LOAD WGT	UNIT LOAD CUBE	PKG/UNIT LOAD	UNIT LOAD DRAWING	SECT. 2 INDEX #
C266	1315000284453	43.625	13	8.1562		132	2.7	2	WDN BOX		CARTRIDGE, 90MM HE M71 W/PD FUZE	WP1	43.625	52	38.125	2199	50.1	16 4116/44	1	
C266	1315000284453	43.375			6.125	68	0.7	1	M159		CARTRIDGE, 90MM HE M71 W/PD FUZE	WP1A	37.75	46.375	38	2176	38.5	30 4079/3	8	
C266	1315000284454	43.375			6.125	68	0.7	1	M159		CARTRIDGE, 90MM HE M71 W/PD FUZE	WP1A	37.75	46.375	38	2176	38.5	30 4079/3	8	
C266	1315000284455	43.625	13	8.1562		132	2.7	2	WDN BOX		CARTRIDGE, 90MM HE M71 W/PD FUZE	WP1	43.625	52	38.125	2199	50.1	16 4116/44	1	
C266	1315000284456	43.375			6.125	68	0.7	1	M159		CARTRIDGE, 90MM HE M71 W/PD FUZE	WP1A	37.75	46.375	38	2176	38.5	30 4079/3	8	
C266	1315000284461	43.375			6.125	68	0.7	1	M159		CARTRIDGE, 90MM HE M71 W/PD FUZE	WP1A	37.75	46.375	38	2176	38.5	30 4079/3	8	
C266	1315000284474	43.375			6.125	68	0.7	1	M159		CARTRIDGE, 90MM HE M71 W/PD FUZE	WP1A	37.75	46.375	38	2176	38.5	30 4079/3	8	
C266	1315000284478	43.625	13	8.1562		132	2.7	2	WDN BOX		CARTRIDGE, 90MM HE M71 W/PD FUZE	WP1	43.625	52	38.125	2199	50.1	16 4116/44	1	
C266	1315000284481	43.625	13	8.1562		132	2.7	2	WDN BOX		CARTRIDGE, 90MM HE M71 W/PD FUZE	WP1	43.625	52	38.125	2199	50.1	16 4116/44	1	
C266	1315006824758	43.625	13	8.1562		132	2.7	2	WDN BOX		CARTRIDGE, 90MM HE M71 W/PD FUZE	WP1	43.625	52	38.125	2199	50.1	16 4116/44	1	
C266	1315006824759	43.625	13	8.1562		132	2.7	2	WDN BOX		CARTRIDGE, 90MM HE M71 W/PD FUZE	WP1	43.625	52	38.125	2199	50.1	16 4116/44	1	
C266	1315008924928	43.625	13	8.1562		132	2.7	2	WDN BOX		CARTRIDGE, 90MM HE M71 W/PD FUZE	WP1	43.625	52	38.125	2199	50.1	16 4116/44	1	
C266	1315009650674	43.625	13	8.1562		132	2.7	2	WDN BOX		CARTRIDGE, 90MM HE M71 W/PD FUZE	WP1	43.625	52	38.125	2199	50.1	16 4116/44	1	
C266	1315009650675	43.625	13	8.1562		132	2.7	2	WDN BOX		CARTRIDGE, 90MM HE M71 W/PD FUZE	WP1	43.625	52	38.125	2199	50.1	16 4116/44	1	
C267	1315000284411	43.625	13	8.1562		125	2.7	2	WDN BOX		CARTRIDGE, 90MM HE M71 W/O FUZE	WP1	43.625	52	38.125	2087	50.1	16 4116/44	1	
C267	1315000284417	43.625	13	8.1562		132	2.7	2	WDN BOX		CARTRIDGE, 90MM HE M71 W/O FUZE	WP1	43.625	52	38.125	2199	50.1	16 4116/44	1	
C267	1315000284418	43.625	13	8.1562		132	2.7	2	WDN BOX		CARTRIDGE, 90MM HE M71 W/O FUZE	WP1	43.625	52	38.125	2199	50.1	16 4116/44	1	
C267	1315000284422	43.625	13	8.1562		125	2.7	2	WDN BOX		CARTRIDGE, 90MM HE M71 W/O FUZE	WP1	43.625	52	38.125	2087	50.1	16 4116/44	1	
C267	1315000284430	43.625	13	8.1562		118	2.7	2	WDN BOX		CARTRIDGE, 90MM HE M71 W/O FUZE	WP1	43.625	52	38.125	1975	50.1	16 4116/44	1	
C267	1315000284432	43.625	13	8.1562		132	2.7	2	WDN BOX		CARTRIDGE, 90MM HE M71 W/O FUZE	WP1	43.625	52	38.125	2199	50.1	16 4116/44	1	
C267	1315000284433	43.625	13	8.1562		132	2.7	2	WDN BOX		CARTRIDGE, 90MM HE M71 W/O FUZE	WP1	43.625	52	38.125	2199	50.1	16 4116/44	1	
C267	1315000284450	43.375			6.125	68	0.7	1	M159		CARTRIDGE, 90MM HE M71 W/O FUZE	WP1A	37.75	46.375	38	2176	38.5	30 4079/3	8	
C267	1315000284458	43.625	13	8.1562		125	2.7	2	WDN BOX		CARTRIDGE, 90MM HE M71 W/O FUZE	WP1	43.625	52	38.125	2087	50.1	16 4116/44	1	
C267	1315000284459	43.375			6.125	68	0.7	1	M159		CARTRIDGE, 90MM HE M71 W/O FUZE	WP1A	37.75	46.375	38	2176	38.5	30 4079/3	8	
C267	1315000284460	43.375			6.125	68	0.7	1	M159		CARTRIDGE, 90MM HE M71 W/O FUZE	WP1A	37.75	46.375	38	2176	38.5	30 4079/3	8	
C273	1315000284421	43.625	12.875	8.1562		132	2.7	2	WDN BOX		CARTRIDGE, 90MM SMOKE WP M313	WP1	40.125	49	49.125	2488	55.9	18 4015/6	3	
C273	1315000284476	43.625	12.875	8.1562		132	2.7	2	WDN BOX		CARTRIDGE, 90MM SMOKE WP M313	WP1	40.125	49	49.125	2488	55.9	18 4015/6	3	
C273	1315000284480	43.625	12.875	8.1562		131	2.7	2	WDN BOX		CARTRIDGE, 90MM SMOKE WP M313	WP1	40.125	49	49.125	2470	55.9	18 4015/6	3	
C273	1315003011758	43.625	12.875	8.1562		130	2.7	2	WDN BOX		CARTRIDGE, 90MM SMOKE WP M313	WP1	40.125	49	49.125	2452	55.9	18 4015/6	3	
C273	1315003414183	41.375			6.125	67	0.7	1	M159		CARTRIDGE, 90MM SMOKE WP M313	WP1	40	48	47.625	2994	52.9	42 4015/6A	3	
C276	1315002419275	26.1875	13.8125	6.6562		51	1.4	3	WBD BOX	9230176	CARTRIDGE, 81MM SMOKE WP M375A2 W/PD FUZE	WP1B	43	53.25	31.625	1338	42.1	24 4015/5C	3	
C276	1315004440132	26.1875	13.8125	6.6562		51	1.4	3	WBD BOX	9230176	CARTRIDGE, 81MM SMOKE WP M375 W/PD FUZE	WP1B	43	53.25	31.625	1338	42.1	24 4015/5C	3	
C276	1315004986406	26.1875	13.8125	6.6562		51	1.4	3	WBD BOX	9230176	CARTRIDGE, 81MM SMOKE WP M375A2 W/PD FUZE	WP1B	43	53.25	31.625	1338	42.1	24 4015/5C	3	
C276	1315005747680	25.125	13.375	5.3125		46	1	3	WBD BOX		CARTRIDGE, 81MM SMOKE WP M375A3 W/PD FUZE	WP1B	42.5	53.5	30.625	1568	40.3	32 4015/5D	3	
C276	1315007825543	24.5	8.875	8.75		50	1.1	4	WBD BOX	8864663	CARTRIDGE, 81MM SMOKE WP M375 W/PD FUZE	WP1A	35	45.875	30	1084	27.9	20 4015/5B	3	
C276	1315007825838	24.5	8.875	8.75		50	1.1	4	WBD BOX	8864663	CARTRIDGE, 81MM SMOKE WP M375 W/PD FUZE	WP1A	35	45.875	30	1084	27.9	20 4015/5B	3	
C276	1315009351926	26.1875	13.8125	6.6562		51	1.4	3	WBD BOX	9230176	CARTRIDGE, 81MM SMOKE WP M375A2 W/PD FUZE	WP1B	43	53.25	31.625	1338	42.1	24 4015/5C	3	
C276	1315009356003	24.5	8.875	8.75		50	1.1	4	WBD BOX	8864663	CARTRIDGE, 81MM SMOKE WP M375 W/PD FUZE	WP1A	35	45.875	30	1084	27.9	20 4015/5B	3	
C276	1315009356068	26.1875	13.8125	6.6562		51	1.4	3	WBD BOX	9230176	CARTRIDGE, 81MM SMOKE WP M375 W/PD FUZE	WP1B	43	53.25	31.625	1338	42.1	24 4015/5C	3	
C276	1315009356075	26.1875	13.8125	6.6562		51	1.4	3	WBD BOX	9230176	CARTRIDGE, 81MM SMOKE WP M375 W/PD FUZE	WP1B	43	53.25	31.625	1338	42.1	24 4015/5C	3	
C276	1315011396770	26.1875	13.8125	6.6562		51	1.4	3	WBD BOX	9230176	CARTRIDGE, 81MM SMOKE WP M375 W/PD FUZE	WP1B	43	53.25	31.625	1338	42.1	24 4015/5C	3	
C280	1315000579576	43.625	13	8.1562		129	2.7	2	WDN BOX		CARTRIDGE, 90MM HE-T M71A1	WP1	43.625	52	38.125	2151	50.1	16 4116/44	1	
C280	1315000579577	43.625	13	8.1562		129	2.7	2	WDN BOX		CARTRIDGE, 90MM HE-T M71A1	WP1	43.625	52	38.125	2151	50.1	16 4116/44	1	
C280	1315007273637	43.625	13	8.1562		132	2.7	2	WDN BOX		CARTRIDGE, 90MM HE-T M71A1	WP1	43.625	52	38.125	2199	50.1	16 4116/44	1	
C280	1315007527574	43.625	13	8.1562		129	2.7	2	WDN BOX		CARTRIDGE, 90MM HE-T M71A1	WP1	43.625	52	38.125	2151	50.1	16 4116/44	1	
C280	1315007527575	43.625	13	8.1562		129	2.7	2	WDN BOX		CARTRIDGE, 90MM HE-T M71A1	WP1	43.625	52	38.125	2151	50.1	16 4116/44	1	
C280	1315008924236	43.625	13	8.1562		129	2.7	2	WDN BOX		CARTRIDGE, 90MM HE-T M71A1	WP1	43.625	52	38.125	2151	50.1	16 4116/44	1	
C280	1315009261885	43.625	13	8.1562		132	2.7	2	WDN BOX		CARTRIDGE, 90MM HE-T M71A1	WP1	43.625	52	38.125	2199	50.1	16 4116/44	1	
C280	1315009261888	43.625	13	8.1562		132	2.7	2	WDN BOX		CARTRIDGE, 90MM HE-T M71A1	WP1	43.625	52	38.125	2199	50.1	16 4116/44	1	
C280	1315009261889	43.625	13	8.1562		132	2.7	2	WDN BOX		CARTRIDGE, 90MM HE-T M71A1	WP1	43.625	52	38.125	2199	50.1	16 4116/44	1	
C280	1315009650660	43.625	13	8.1562		129	2.7	2	WDN BOX		CARTRIDGE, 90MM HE-T M71A1	WP1	43.625	52	38.125	2151	50.1	16 4116/44	1	
C280	1315009650661	43.625	13	8.562		129	2.8	2	WDN BOX		CARTRIDGE, 90MM HE-T M71A1	WP1	43.625	52	38.125	2151	50.1	16 4116/44	1	
C280	1315009650838	43.625	13	8.1562		129	2.7	2	WDN BOX		CARTRIDGE, 90MM HE-T M71A1	WP1	43.625	52	38.125	2151	50.1	16 4116/44	1	
C282	1315000688472	32.875	10.125	6.25		47	1.2	2	WDN BOX		CARTRIDGE, 90MM HEAT M371A1	WP1	40.5	48.5	38.375	1428	43.6	28 4116/44F	1	
C282	1315008924307	32.875	10.125	6.25		47	1.2	2	WDN BOX		CARTRIDGE, 90MM HEAT M371A1	WP1	40.5	48.5	38.375	1428	43.6	28 4116/44F	1	
C283	1315008892019	32.875	10.125	6.25		47	1.2	2	WDN BOX		CARTRIDGE, 90MM HEAT M371A1	WP1	40.5	48.5	38.375	1428	43.6	28 4116/44F	1	
C285	1315000284741	43.625	13	8.1562		132	2.7	2	WDN BOX		CARTRIDGE, 90MM AP-T M318/M318A1	WP1	43.625	52	38.125	2191	50.1	16 4116/44	1	
C285	1315000284742	43.625	13	8.1562		132	2.7	2	WDN BOX		CARTRIDGE, 90MM AP-T M318/M318A1	WP1	43.625	52	38.125	2191	50.1	16 4116/44	1	
C285	1315009263974	43.625	13	8.1562		131	2.7	2	WDN BOX		CARTRIDGE, 90MM AP-T M318A1	WP1	43.625	52	38.125	2183	50.1	16 4116/44	1	
C287	1315000284746	43.625	13	8.1562		121	2.7	2	WDN BOX		CARTRIDGE, 90MM HE-T T91	WP1	43.625	52	38.125	2023	50.1	16 4116/44	1	
C290	1315003241412	43.625	13	8.1562		129	2.7	2	WDN BOX		CARTRIDGE, 90MM TP-T M353	WP1	43.625	52	38.125	2151	50.1	16 4116/44	1	
C290	1315009650783	43.625	13	8.1562		131	2.7	2	WDN BOX		CARTRIDGE, 90MM TP-T M353E1	WP1	43.625	52	38.125	2183	50.1	1		

DODIC	NSN	PACK LEN	PACK WID	PACK HGT	PACK DIA	PACK WGT	PACK CUBE	RDS/ PACK	PACKAGE TYPE	PACKAGE DRAWING #	NOMENCLATURE	BASE TYPE	UNIT LOAD LEN	UNIT LOAD WID	UNIT LOAD HGT	UNIT LOAD WGT	UNIT LOAD CUBE	PKG/ UNIT LOAD	UNIT LOAD DRAWING	SECT. 2 INDEX #
C294	1315006786114	43.625	13	8.1562		109	2.7	2	WDN BOX		CARTRIDGE, 90MM HEAT-T M431	WP1	43.625	52	38.125	1831	50.1	16 4116/44	1	
C294	1315008892087	40.5	12.375	6.625		109	1.9	2	WDN BOX		CARTRIDGE, 90MM HEAT-T M431E1	WP1A	40.5	49.5	38.625	2251	44.8	20 4116/44D	1	
C294	1315008902087	40.5	12.375	6.625		106	1.9	2	WDN BOX		CARTRIDGE, 90MM HEAT-T M431E1	WP1A	40.5	49.5	38.625	2191	44.8	20 4116/44D	1	
C294	1315008924113	40.5	12.375	6.625		109	1.9	2	WDN BOX		CARTRIDGE, 90MM HEAT-T M431	WP1A	40.5	49.5	38.625	2251	44.8	20 4116/44D	1	
C379	1315013355016	12.375	6.375	31.8125		97	1.5	2	PA154	12577569	CARTRIDGE, 120MM HE M934 WITH FUZE MULTI-OPTION M734	WP1	41.625	51	37.3125	2479	45	24 4116/38A	1	
C380	1315012692256	44.5			7.75	69	1.5	1	PA116	9386831	CARTRIDGE, 120MM APFSDS-T M829A1	NSMP	39.5	44.5	51.5	2241	52.4	30 4079/7A	9	
C380	1315012692256	44.5			7.75	69	1.5	1	PA116	9386831	CARTRIDGE, 120MM APFSDS-T M829A1	MP1	40.125	44.5	52.875	2281	54.7	30 4231/48	10	
C380	1315013161211	44.5			7.75	69	1.5	1	PA116	9386831	CARTRIDGE, 120MM APFSDS-T M829A1	WP	40.125	44.5	45.25	1866	46.8	25 4079/7	11	
C410	1315009269243	22.75	13.5	10.0625		58	1.8	6	WDN BOX		CARTRIDGE, 90MM CANISTER APER XM590	WP1A	40.5	45.5	35.75	1116	38.1	18 4116/44C	1	
C422	1315002296535	24.875	13.0938	11.5313		79	2.2	1600	WDN BOX		TRACER, PROJECTILE M13 F/105MM	WP1A	39.25	49.75	40	1493	45.2	18 4116/45R	1	
C429	1315007561676	44	14.25	8.75		137	3.2	2	WDN BOX	8836004	CARTRIDGE, 105MM HEP-T M393A1/M393E1	WP1B	44	57	40.5	2290	58.8	16 4116/45H	1	
C429	1315009356042	44	14.25	8.75		137	3.2	2	WDN BOX	8836004	CARTRIDGE, 105MM HEP-T M393A1	WP1B	44	57	40.5	2290	58.8	16 4116/45H	1	
C430	1315001068548								PA71		CARTRIDGE, 105MM HE M1 (MOD) W/O FUZE IN 39 ROUND PACK	CRATE	32.75	33.625	44.375	1920	28.27	39 9277353	190	
C430	1315001135914								PA71		CARTRIDGE, 105MM HE M1 (MOD) W/O FUZE IN 39 ROUND PACK	CRATE	32.75	33.625	44.375	1920	28.27	39 9277353	190	
C431	1315000216478								PA71		CARTRIDGE, 105MM SMOKE WP M60A2 (MOD) W/O FUZE IN 39 ROUND PACK	CRATE	32.75	33.625	44.375	2100	28.27	39 9277353	190	
C432	1315001135912								PA71		CARTRIDGE, 105MM HE M1 (MOD) W/M557 FUZE IN 39 ROUND PACK	CRATE	32.75	33.625	44.375	2000	28.27	39 9277353	190	
C432	1315001135913								PA71		CARTRIDGE, 105MM HE M1 (MOD) W/M557 FUZE IN 39 ROUND PACK	CRATE	32.75	33.625	44.375	2000	28.27	39 9277353	190	
C432	1315013018225								PA71		CARTRIDGE, 105MM HE M1 (MOD) W/M557 FUZE IN 39 ROUND PACK	CRATE	32.75	33.625	44.375	2000	28.27	39 9277353	190	
C433	1315001570796								PA71		CARTRIDGE, 105MM SMOKE WP M60A2 (MOD) W/M557 FUZE IN 39 ROUND PACK	CRATE	32.75	33.625	44.375	2200	28.27	39 9277353	190	
C433	1315013431943								PA71	9276004	CARTRIDGE, 105MM SMOKE WP M60A2 (MOD) W/M557 FUZE IN 39 ROUND PACK	CRATE	32.75	33.625	44.375	2200	28.27	39 9277353	190	
C436	1315012379775			25.25	16.5	121	3.1	6	MET DRUM	MS27683-2	CHG, PROPELLING 105MM WB M67	WP1A	36.5	52.875	32.25	885	36	6 4116/455	1	
C440	1315000285033	29	12	9.25		96	1.9	10	WDN BOX		CARTRIDGE, 105MM BLANK M395	WP1	40	58	41.5	2432	55.7	24 4116/45G	1	
C440	1315000285036	29	12	9.25		96	1.9	10	WDN BOX		CARTRIDGE, 105MM BLANK M395	WP1	40	58	41.5	2432	55.7	24 4116/45G	1	
C440	1315003537034	29	12	9.25		96	1.9	10	WDN BOX		CARTRIDGE, 105MM BLANK M395	WP1	40	58	41.5	2432	55.7	24 4116/45G	1	
C441	1315000284796	36.75	12.125	7.75		120	2	2	WDN BOX		CARTRIDGE, 105MM GAS GB M360	WP1A	36.75	48.5	44.25	2473	45.6	20 4531	1	
C441	1315002038985	36.75	12.125	7.75		120	2	2	WDN BOX		CARTRIDGE, 105MM GAS GB M360/T173	WP1A	36.75	48.5	44.25	2473	45.6	20 4531	1	
C441	1315009263952	36.75	12.125	7.75		120	2	2	WDN BOX		CARTRIDGE, 105MM GAS GB M360	WP1A	36.75	48.5	44.25	2473	45.6	20 4531	1	
C441	1315010821234	36.75	12.125	7.75		120	2	2	WDN BOX		CARTRIDGE, 105MM GAS GB M360	WP1A	36.75	48.5	44.25	2473	45.6	20 4531	1	
C442	1315000284829	37.25	11.9375	7.5938		120	2	2	WDN BOX	7549072	CARTRIDGE, 105MM GAS HD M60	WP1A	37.25	47.75	51.0625	2954	52.6	24 4116/45	1	
C442	1315003226365	37.25	11.9375	7.5938		120	2	2	WDN BOX	7549072	CARTRIDGE, 105MM GAS H M60	WP1A	37.25	47.75	51.0625	2954	52.6	24 4116/45	1	
C443	1315009261896	37.25	11.9375	7.5938		120	2	2	WDN BOX	7549072	CARTRIDGE, 105MM HE M1 W/MTSQ FUZE	WP1A	37.25	47.75	51.0625	2954	52.6	24 4116/45	1	
C443	1315009264054	37.25	11.9375	7.5938		120	2	2	WDN BOX	7549072	CARTRIDGE, 105MM HE M1 W/MTSQ FUZE	WP1A	37.25	47.75	51.0625	2954	52.6	24 4116/45	1	
C443	1315009269288	37.25	11.9375	7.5938		120	2	2	WDN BOX	7549072	CARTRIDGE, 105MM HE M1 W/MTSQ FUZE	WP1A	37.25	47.75	51.0625	2954	52.6	24 4116/45	1	
C443	1315009269385	37.25	11.9375	7.5938		120	2	2	WDN BOX	7549072	CARTRIDGE, 105MM HE M1 W/MTSQ FUZE	WP1A	37.25	47.75	51.0625	2954	52.6	24 4116/45	1	
C444	1315000284801	37.25	11.9375	7.5938		120	2	2	WDN BOX	7549072	CARTRIDGE, 105MM HE TNT M1 BRASS CASE W/PD FUZE	WP1A	37.25	47.75	51.0625	2954	52.6	24 4116/45	1	
C444	1315000284824	37.0312			6.125	71	0.7	1	M152		CARTRIDGE, 105MM HE M1 W/PD FUZE	WP1A	38.625	47	34.5	2147	36.2	28 4079/4	13	
C444	1315000284832	37.25	11.9375	7.5938		120	2	2	WDN BOX	7549072	CARTRIDGE, 105MM HE TNT M1 STEEL CASE W/PD FUZE	WP1A	37.25	47.75	51.0625	2954	52.6	24 4116/45	1	
C444	1315000284841	37.25	11.9375	7.5938		120	2	2	WDN BOX	7549072	CARTRIDGE, 105MM HE COMP B M1 BRASS CASE W/PD FUZE	WP1A	37.25	47.75	51.0625	2954	52.6	24 4116/45	1	
C444	1315000284842	37.25	11.9375	7.5938		120	2	2	WDN BOX	7549072	CARTRIDGE, 105MM HE COMP B M1 BRASS CASE W/PD FUZE	WP1A	37.25	47.75	51.0625	2954	52.6	24 4116/45	1	
C444	1315000284843	37.25	11.9375	7.5938		120	2	2	WDN BOX	7549072	CARTRIDGE, 105MM HE COMP B M1 STEEL CASE W/PD FUZE	WP1A	37.25	47.75	51.0625	2954	52.6	24 4116/45	1	
C444	1315000284844	37.25	11.9375	7.5938		120	2	2	WDN BOX	7549072	CARTRIDGE, 105MM HE COMP B M1 STEEL CASE W/PD FUZE	WP1A	37.25	47.75	51.0625	2954	52.6	24 4116/45	1	
C444	1315000284844	37.0312			6.125	71	0.7	1	M152		CARTRIDGE, 105MM HE M1 W/PD FUZE	WP1A	38.625	47	34.5	2147	36.2	28 4079/4	13	
C444	1315000650693	37.0312			6.125	71	0.7	1	M152		CARTRIDGE, 105MM HE M1 W/PD FUZE	WP1A	38.625	47	34.5	2147	36.2	28 4079/4	13	
C444	1315001466854	37.25	11.9375	7.5938		120	2	2	WDN BOX	7549072	CARTRIDGE, 105MM HE COMP B M1 STEEL CASE W/PD FUZE	WP1A	37.25	47.75	51.0625	2954	52.6	24 4116/45	1	
C444	1315007690281	37.25	11.9375	7.5938		120	2	2	WDN BOX	7549072	CARTRIDGE, 105MM HE COMP B M1 STEEL CASE W/PD FUZE	WP1A	37.25	47.75	51.0625	2954	52.6	24 4116/45	1	
C444	1315009650548	37.25	11.9375	7.5938		120	2	2	WDN BOX	7549072	CARTRIDGE, 105MM HE COMP B M1 STEEL CASE W/PD FUZE	WP1A	37.25	47.75	51.0625	2954	52.6	24 4116/45	1	
C444	1315009650572	37.25	11.9375	7.5938		120	2	2	WDN BOX	7549072	CARTRIDGE, 105MM HE TNT M1 STEEL CASE W/PD FUZE	WP1A	37.25	47.75	51.0625	2954	52.6	24 4116/45	1	
C444	1315009650701	37.0312			6.125	71	0.7	1	M152		CARTRIDGE, 105MM HE M1 W/PD FUZE	WP1A	38.625	47	34.5	2147	36.2	28 4079/4	13	
C444	1315009650776	37.25	11.9375	7.5938		120	2	2	WDN BOX	7549072	CARTRIDGE, 105MM HE COMP B M1 BRASS CASE W/PD FUZE	WP1A	37.25	47.75	51.0625	2954	52.6	24 4116/45	1	
C444	1315009650777	37.25	11.9375	7.5938		120	2	2	WDN BOX	7549072	CARTRIDGE, 105MM HE COMP B M1 STEEL CASE W/PD FUZE	WP1A	37.25	47.75	51.0625	2954	52.6	24 4116/45	1	
C444	1315009650877	37.0312			6.125	71	0.7	2	M152		CARTRIDGE, 105MM HE COMP B M1 BRASS CASE W/PD FUZE	WP1A	38.625	47	34.5	2147	36.2	28 4079/4	13	
C445	1315000284782	37.0312			6.125	71	0.7	1	M152		CARTRIDGE, 105MM HE M1 W/O FUZE	WP1A	38.625	47	34.5	2147	36.2	28 4079/4	13	
C445	1315000284787	37.0312			6.125	71	0.7	1	M152		CARTRIDGE, 105MM HE M1 W/O FUZE	WP1A	38.625	47	34.5	2147	36.2	28 4079/4	13	
C445	1315000284809	37.25	11.9375	7.5938		120	2	2	WDN BOX	7549072	CARTRIDGE, 105MM HE TNT M1 BRASS CASE W/O FUZE	WP1A	37.25	47.75	51.0625	2954	52.6	24 4116/45	1	
C445	1315000284810	37.0312			6.125	71	0.7	1	M152		CARTRIDGE, 105MM HE M1 W/O FUZE	WP1A	38.625	47	34.5	2147	36.2	28 4		

DODIC	NSN	PACK LEN	PACK WID	PACK HGT	PACK DIA	PACK WGT	PACK CUBE	RDS/ PACK	PACKAGE TYPE	PACKAGE DRAWING #	NOMENCLATURE	BASE TYPE	UNIT LOAD LEN	UNIT LOAD WID	UNIT LOAD HGT	UNIT LOAD WGT	UNIT LOAD CUBE	PKG/ UNIT LOAD	UNIT LOAD DRAWING	SECT. 2 INDEX #
C445	1315002158886	37.25	11.9375	7.5938		120	2	2	WDN BOX	7549072	CARTRIDGE, 105MM HE COMP B M1 STEEL CASE W/O FUZE	WP1A	37.25	47.75	51.0625	2954	52.6	24 4116/45	1	
C445	1315002314629	37.25	11.9375	7.5938		120	2	2	WDN BOX	7549072	CARTRIDGE, 105MM HE COMP B M1 STEEL CASE W/O FUZE	WP1A	37.25	47.75	51.0625	2954	52.6	24 4116/45	1	
C445	1315005419845	37.0312			6.125	71	0.7	1	M152		CARTRIDGE, 105MM HE M1 W/O FUZE	WP1A	38.625	47	34.5	2147	36.2	28 4079/4	13	
C445	1315005419846	37.0312			6.125	71	0.7	1	M152		CARTRIDGE, 105MM HE M1 W/O FUZE	WP1A	38.625	47	34.5	2147	36.2	28 4079/4	13	
C445	1315009264081	37.25	11.9375	7.5938		120	2	2	WDN BOX	7549072	CARTRIDGE, 105MM HE COMP B M1 BRASS CASE W/O FUZE	WP1A	37.25	47.75	51.0625	2954	52.6	24 4116/45	1	
C445	1315010127094	35.375	11.5	6.25		102	1.5	2	WBD BOX		CARTRIDGE, 105MM HE TNT M1 BRASS CASE W/O FUZE	WP1A	35.375	46	36.75	2111	34.6	20 4116/45A	1	
C445	UNAS UNAS	44.5			6.875	66.5	1.2	1	PA117	9378166	CARTRIDGE, 105MM HE M1 W/O FUZE	MP1	42.75	44.5	40.375	2212	44.5	30 4231/45	14	
C446	1315000284780	37.0312			6.125	71	0.7	1	M152		CARTRIDGE, 105MM HEAT M67	WP1A	38.625	47	34.5	2147	36.2	28 4079/4	13	
C446	1315005081051	37.0312			6.125	71	0.7	1	M152		CARTRIDGE, 105MM HEAT M67	WP1A	38.625	47	34.5	2147	36.2	28 4079/4	13	
C448	1315000284806	37.25	11.9375	7.5938		120	2	2	WDN BOX	7549072	CARTRIDGE, 105MM HEP COMP C4 M327/T81E17 BRASS CASE	WP1A	37.25	47.75	51.0625	2954	52.6	24 4116/45	1	
C448	1315000284808	37.25	11.9375	7.5938		120	2	2	WDN BOX	7549072	CARTRIDGE, 105MM HEP-T COMP C4 M327/T81E17 BRASS CASE	WP1A	37.25	47.75	51.0625	2954	52.6	24 4116/45	1	
C448	1315000284835	37.25	11.9375	7.5938		120	2	2	WDN BOX	7549072	CARTRIDGE, 105MM HEP-T COMP A3 M327 STEEL CASE	WP1A	37.25	47.75	51.0625	2954	52.6	24 4116/45	1	
C448	1315001136218	37.25	11.9375	7.5938		120	2	2	WDN BOX	7549072	CARTRIDGE, 105MM HEP-T COMP A3 M327 STEEL CASE	WP1A	37.25	47.75	51.0625	2954	52.6	24 4116/45	1	
C448	1315001860073	37.25	11.9375	7.5938		120	2	2	WDN BOX	7549072	CARTRIDGE, 105MM HEP-T COMP A3 M327 STEEL CASE	WP1A	37.25	47.75	51.0625	2954	52.6	24 4116/45	1	
C448	1315001860076	37.25	11.9375	7.5938		120	2	2	WDN BOX	7549072	CARTRIDGE, 105MM HEP-T COMP A3 M327 STEEL CASE	WP1A	37.25	47.75	51.0625	2954	52.6	24 4116/45	1	
C448	1315002623031	37.25	11.9375	7.5938		120	2	2	WDN BOX	7549072	CARTRIDGE, 105MM HEP-T COMP C4 M327 STEEL CASE	WP1A	37.25	47.75	51.0625	2954	52.6	24 4116/45	1	
C448	1315003442312	37.0312			6.125	71	0.7	2	M152		CARTRIDGE, 105MM HEP-T M327	WP1A	38.625	47	34.5	2147	36.2	28 4079/4	13	
C448	1315003442312	37.25	11.9375	7.5938		120	2	2	WDN BOX	7549072	CARTRIDGE, 105MM HEP-T COMP A3 T81E28 STEEL CASE	WP1A	37.25	47.75	51.0625	2954	52.6	24 4116/45	1	
C449	1315000284794	37.25	11.9375	7.5938		120	2	2	WDN BOX	7549072	CARTRIDGE, 105MM ILLUMINATING M314 BRASS CASE W/MTSQ FUZE	WP1A	37.25	47.75	51.0625	2954	52.6	24 4116/45	1	
C449	1315000284823	37.25	11.9375	7.5938		120	2	2	WDN BOX	7549072	CARTRIDGE, 105MM ILLUM M314 STEEL CASE W/MTSQ FUZE	WP1A	37.25	47.75	51.0625	2954	52.6	24 4116/45	1	
C449	1315007825531	37.25	11.9375	7.5938		120	2	2	WDN BOX	7549072	CARTRIDGE, 105MM ILLUM M314A3 STEEL CASE W/MT FUZE	WP1A	37.25	47.75	51.0625	2954	52.6	24 4116/45	1	
C449	1315009262929	37.25	11.9375	7.5938		120	2	2	WDN BOX	7549072	CARTRIDGE, 105MM ILLUMINATING M314A3 STEEL CASE W/MT FUZE	WP1A	37.25	47.75	51.0625	2954	52.6	24 4116/45	1	
C449	1315013002748	37.25	11.9375	7.5938		120	2	2	WDN BOX	7549072	CARTRIDGE, 105MM ILLUMINATING M314A3 W/MTSQ FUZE	WP1A	37.25	47.75	51.0625	2954	52.6	24 4116/45	1	
C449	1315013712990	44.5			6.875	67.5	1.2	1	PA117	9378166	CARTRIDGE, 105MM ILLUMINATING M314	MP1	42.75	44.5	40.375	2242	44.5	30 4231/45	14	
C450	1315000284827	37.25	11.9375	7.5938		120	2	2	WDN BOX	7549072	CARTRIDGE, 105MM LEAFLET M84 BRASS CASE W/MTSQ FUZE	WP1A	37.25	47.75	51.0625	2954	52.6	24 4116/45	1	
C450	1315003050862	37.25	11.9375	7.5938		120	2	2	WDN BOX	7549072	CARTRIDGE, 105MM LEAFLET M84 BRASS CASE W/MTSQ FUZE	WP1A	37.25	47.75	51.0625	2954	52.6	24 4116/45	1	
C450	1315003241414	37.25	11.9375	7.5938		120	2	2	WDN BOX	7549072	CARTRIDGE, 105MM LEAFLET M84 STEEL CASE W/MTSQ FUZE	WP1A	37.25	47.75	51.0625	2954	52.6	24 4116/45	1	
C451	1315000284785	37.0312			6.125	71	0.7	1	M152		CARTRIDGE, 105MM SMOKE GREEN BE M84/M84B1	WP1A	38.625	47	34.5	2147	36.2	28 4079/4	13	
C451	1315000284792	37.25	11.9375	7.5938		120	2	2	WDN BOX	7549072	CARTRIDGE, 105MM SMOKE GREEN BE M84 BRASS CASE W/MTSQ FUZE	WP1A	37.25	47.75	51.0625	2954	52.6	24 4116/45	1	
C451	1315000284834	37.25	11.9375	7.5938		120	2	2	WDN BOX	7549072	CARTRIDGE, 105MM SMOKE GREEN BE M84 STEEL CASE W/MTSQ FUZE	WP1A	37.25	47.75	51.0625	2954	52.6	24 4116/45	1	
C451	1315000284836	37.25	11.9375	7.5938		120	2	2	WDN BOX	7549072	CARTRIDGE, 105MM SMOKE GREEN BE M84 BRASS CASE W/MTSQ FUZE	WP1A	37.25	47.75	51.0625	2954	52.6	24 4116/45	1	
C451	1315000284836	37.0312			6.125	71	0.7	1	M152		CARTRIDGE, 105MM SMOKE GREEN BE M84/M84B1	WP1A	38.625	47	34.5	2147	36.2	28 4079/4	13	
C451	1315000284845	37.25	11.9375	7.5938		120	2	2	WDN BOX	7549072	CARTRIDGE, 105MM SMOKE GREEN BE M84 BRASS CASE W/MTSQ FUZE	WP1A	37.25	47.75	51.0625	2954	52.6	24 4116/45	1	
C452	1315000284837	37.0312			6.125	71	0.7	1	M152		CARTRIDGE, 105MM SMOKE HC BE M84/M84B1	WP1A	38.625	47	34.5	2147	36.2	28 4079/4	13	
C452	1315000284839	37.25	11.9375	7.5938		120	2	2	WDN BOX	7549072	CARTRIDGE, 105MM SMOKE HC M84/M84B1 STEEL CASE W/MTSQ FUZE	WP1A	37.25	47.75	51.0625	2954	52.6	24 4116/45	1	
C452	1315000284840	37.25	11.9375	7.5938		120	2	2	WDN BOX	7549072	CARTRIDGE, 105MM SMOKE HC M84/M84B1 BRASS CASE W/MTSQ FUZE	WP1A	37.25	47.75	51.0625	2954	52.6	24 4116/45	1	
C452	1315000284850	37.25	11.9375	7.5938		120	2	2	WDN BOX	7549072	CARTRIDGE, 105MM SMOKE HC M84/M84B1 BRASS CASE W/MTSQ FUZE	WP1A	37.25	47.75	51.0625	2954	52.6	24 4116/45	1	
C452	1315000284851	37.0312			6.125	71	0.7	1	M152		CARTRIDGE, 105MM SMOKE HC BE M84/M84B1	WP1A	38.625	47	34.5	2147	36.2	28 4079/4	13	
C452	1315001436986	37.25	11.9375	7.5938		120	2	2	WDN BOX	7549072	CARTRIDGE, 105MM SMOKE HC M84A1 BE STEEL CASE W/MT FUZE	WP1A	37.25	47.75	51.0625	2954	52.6	24 4116/45	1	
C452	1315001823156	37.25	11.9375	7.5938		120	2	2	WDN BOX	7549072	CARTRIDGE, 105MM SMOKE HC M84A1 BRASS CASE W/MT FUZE	WP1A	37.25	47.75	51.0625	2954	52.6	24 4116/45	1	
C452	1315010310713	37.25	11.9375	7.5938		120	2	2	WDN BOX	7549072	CARTRIDGE, 105MM SMOKE HC M84A1 STEEL CASE W/MT FUZE	WP1A	37.25	47.75	51.0625	2954	52.6	24 4116/45	1	
C453	1315000284783	37.0312			6.125	71	0.7	1	M152		CARTRIDGE, 105MM SMOKE RED BE M84/M84B1	WP1A	38.625	47	34.5	2147	36.2	28 4079/4	13	
C453	1315000284828	37.25	11.9375	7.5938		120	2	2	WDN BOX	7549072	CARTRIDGE, 105MM SMOKE RED BE M84 STEEL CASE W/MTSQ FUZE	WP1A	37.25	47.75	51.0625	2954	52.6	24 4116/45	1	
C453	1315000284846	37.25	11.9375	7.5938		120	2	2	WDN BOX	7549072	CARTRIDGE, 105MM SMOKE RED BE M84 BRASS CASE W/MTSQ FUZE	WP1A	37.25	47.75	51.0625	2954	52.6	24 4116/45	1	
C453	1315000284847	37.0312			6.125	71	0.7	1	M152		CARTRIDGE, 105MM SMOKE RED BE M84 BRASS CASE W/MTSQ FUZE	WP1A	38.625	47	34.5	2147	36.2	28 4079/4	13	
C453	1315003050860	37.25	11.9375	7.5938		120	2	2	WDN BOX	7549072	CARTRIDGE, 105MM SMOKE RED BE M84 BRASS CASE W/MTSQ FUZE	WP1A	37.25	47.75	51.0625	2954	52.6	24 4116/45	1	
C454	1315000284831	37.25	12	7.625		120	2	2	WDN BOX		CARTRIDGE, 105MM SMOKE WP M60	WP1A	38.125	48	42.75	2472	45.3	20 4015/7	3	
C454	1315001135741	37.25	12	7.625		120	2	2	WDN BOX		CARTRIDGE, 105MM SMOKE WP M60A2	WP1A	38.125	48	42.75	2472	45.3	20 4015/7	3	
C454	1315001437616	37.25	12	7.625		120	2	2	WDN BOX		CARTRIDGE, 105MM SMOKE WP M60A1/M60E1	WP1A	38.125	48	42.75	2472	45.3	20 4015/7	3	
C454	1315001457536	37.25	12	7.625		120	2	2	WDN BOX		CARTRIDGE, 105MM SMOKE WP M60A1/M60E1	WP1A	38.125	48	42.75	2472	45.3	20 4015/7	3	
C454	1315004396121	37.25	12	7.625		120	2	2	WDN BOX		CARTRIDGE, 105MM SMOKE WP M60A1/M60E1	WP1A	38.125	48	42.75	2472	45.3	20 4015/7	3	
C454	1315004396122	37.25	12	7.625		120	2	2	WDN BOX		CARTRIDGE, 105MM SMOKE WP M60A1/M60E1	WP1A	38.125	48	42.75	2472	45.3	20 4015/7	3	
C454	1315004705368	37.25	12	7.625		120	2	2	WDN BOX		CARTRIDGE, 105MM SMOKE WP M60A2/M60E3	WP1A	38.125	48	42.75	2472	45.3	20 4015/7	3	
C454	1315008924895	37.25	12	7.625		120	2	2	WDN BOX		CARTRIDGE, 105MM SMOKE WP M60	WP1A	38.125	48	42.75	2472	45.3	20 4015/7	3	
C454	1315008924999	37.25	12	7.625		120	2	2	WDN BOX		CARTRIDGE, 105MM SMOKE WP M60	WP1A	38.125	48	42.75	2472	45.3	20 4015/7	3	
C455	1315000284793	37.25	11.9375	7.5938		120	2	2	WDN BOX	7549072	CARTRIDGE, 105MM SMOKE YELLOW BE M84 BRASS CASE W/MTSQ FUZE	WP1A	37.25	47.75	51.0625	2954	52.6	24 4116/45	1	
C455	1315000284849	37.0312			6.125	71	0.7	1	M152		CARTRIDGE, 105MM SMOKE YELLOW BE M84/M84B1	WP1A	38.625	47	34.5	2147	36.2	28 4079/4	13	
C455	1315003011782	37.25	11.9375	7.5938		120	2	2	WDN BOX	7549072	CARTRIDGE, 105MM SMOKE YELLOW BE M84 STEEL CASE W/MTSQ FUZE	WP1A	37.25	47.75	51.0625	2954	52.6	24 4116/45	1	
C457	1315003241413	37.25	11.9375	7.5938		120	2	2	WDN BOX	7549072	CARTRIDGE									

DODIC	NSN	PACK LEN	PACK WID	PACK HGT	PACK DIA	PACK WGT	PACK CUBE	RDS/PACK	PACKAGE TYPE	PACKAGE DRAWING #	NOMENCLATURE	BASE TYPE	UNIT LOAD LEN	UNIT LOAD WID	UNIT LOAD HGT	UNIT LOAD WGT	UNIT LOAD CUBE	PKG/UNIT LOAD	UNIT LOAD DRAWING	SECT. 2 INDEX #
C473	1315011897764	37.25	11.9375	7.5938		120	2	2	WDN BOX	7549072	CARTRIDGE, 105MM HE M760	WP1A	37.25	47.75	51.0625	2954	52.6	24	4116/45	1
C473	UNAS UNAS	44.5			6.875	66.5	1.2	1	PA117	9378166	CARTRIDGE, 105MM HE M760	MP1	42.75	44.5	40.375	2212	44.5	30	4231/45	14
C477	1315001664400	37.25	12	7.625		120	2	2	WDN BOX		CARTRIDGE, 105MM SMOKE WP M60A2/M60E3	WP1A	38.125	48	42.75	2472	45.3	20	4015/7	3
C477	1315002286282	37.25	12	7.625		120	2	2	WDN BOX		CARTRIDGE, 105MM SMOKE WP M60A2/M60E3	WP1A	38.125	48	42.75	2472	45.3	20	4015/7	3
C477	1315002286283	37.25	12	7.625		120	2	2	WDN BOX		CARTRIDGE, 105MM SMOKE WP M60A2/M60E3	WP1A	38.125	48	42.75	2472	45.3	20	4015/7	3
C477	1315002286284	37.25	12	7.625		120	2	2	WDN BOX		CARTRIDGE, 105MM SMOKE WP M60A2/M60E3	WP1A	38.125	48	42.75	2472	45.3	20	4015/7	3
C479	1315012680384	37.25	11.9375	7.5938		120	2	2	WDN BOX	7549072	CARTRIDGE, 105MM SMOKE HC M84A1 STEEL CASE W/O FUZE	WP1A	37.25	47.75	51.0625	2954	52.6	24	4116/45	1
C479	UNAS UNAS	44.5			6.875	68	1.2	1	PA117	9378166	CARTRIDGE, 105MM SMOKE HC M84A1	MP1	42.75	44.5	40.375	2257	44.5	30	4231/45	14
C484	1315013791026	14.3437	5.7031	29.0625		58	1.4	3	PA157		CARTRIDGE, 81MM INFRARED ILLUMINATING XM816	WP1	40.25	48.875	34.625	1371	39.5	21	4116/43P	1
C494	1315000017868	39.875	14.125	8.7188		126	2.8	2	WDN BOX	8835039	CARTRIDGE, 105MM APDS-T M728	WP1	40.625	52.375	47.875	2378	58.9	18	4116/45T	1
C496	1315000284816	46.25	13	8.25		145	2.9	2	WDN BOX	76-1-1341	CARTRIDGE, 105MM HE M413	WP1A	39	46.25	38.5	1813	40.2	12	4116/45L	1
C498	1315000284815	44.875	13	8.125		126	2.7	2	WDN BOX		CARTRIDGE, 105MM HEP M326	WP1A	39	46.375	46.125	1977	48.3	15	4116/45J	1
C498	1315000284820	44.875	13	8.125		128	2.7	2	WDN BOX		CARTRIDGE, 105MM HEP-T M326	WP1A	39	46.375	46.125	2007	48.3	15	4116/45J	1
C500	1315000284821	47.625	12.75	8.125		116	2.9	2	WDN BOX		CARTRIDGE, 105MM HEAT M341	WP1A	38.25	47.625	46.125	1812	48.6	15	4116/45N	1
C503	1315001593201	44	14.25	8.75		137	3.2	2	WDN BOX	8836004	CARTRIDGE, 105MM TP-T M393A1	WP1B	44	57	40.5	2290	58.8	16	4116/45H	1
C505	1315007528374	39.875	14.125	8.7188		126	2.8	2	WDN BOX	8835039	CARTRIDGE, 105MM APDS-T M392A2	WP1	40.625	52.375	47.875	2378	58.9	18	4116/45T	1
C505	1315010306837	39.875	14.125	8.7188		126	2.8	2	WDN BOX	8835039	CARTRIDGE, 105MM APDS-T M392A2	WP1	40.625	52.375	47.875	2378	58.9	18	4116/45T	1
C507	1315001436901	44	14.25	8.75		137	3.2	2	WDN BOX	8836004	CARTRIDGE, 105MM TP-T M393A1	WP1B	44	57	40.5	2290	58.8	16	4116/45H	1
C508	1315000580579	45.75	14.25	8.75		132	3.3	2	WDN BOX	9321290 & 12960979	CARTRIDGE, 105MM HEAT-T M456E1	WP1A	42.75	45.75	50	2063	56.6	15	4116/45K	1
C508	1315007562886	45.75	14.25	8.75		132	3.3	2	WDN BOX	9321290 & 12960979	CARTRIDGE, 105MM HEAT-T M456	WP1A	42.75	45.75	50	2063	56.6	15	4116/45K	1
C508	1315008892095	45.75	14.25	8.75		132	3.3	2	WDN BOX	9321290 & 12960979	CARTRIDGE, 105MM HEAT-T M456E1	WP1A	42.75	45.75	50	2063	56.6	15	4116/45K	1
C508	1315009263989	45.75	14.25	8.75		132	3.3	2	WDN BOX	9321290 & 12960979	CARTRIDGE, 105MM HEAT-T M456A1	WP1A	42.75	45.75	50	2063	56.6	15	4116/45K	1
C508	1315010237122	45.75	14.25	8.75		141	3.3	2	WDN BOX	9321290 & 12960979	CARTRIDGE, 105MM HEAT-T M456A2	WP1A	42.75	45.75	50	2198	56.6	15	4116/45K	1
C508	1315010945294	45.75	14.25	8.75		132	3.3	2	WDN BOX	9321290 & 12960979	CARTRIDGE, 105MM HEAT-T M456A1	WP1A	42.75	45.75	50	2063	56.6	15	4116/45K	1
C508	1315012332003	45.625			7.125	70	1	1	PA104		CARTRIDGE, 105MM HEAT-MP-T M456A2	WP	43.5	45.625	40.625	2283	46.7	30	4079/6A	15
C508	1315012332003	45.625			7.125	75	1	1	PA104		CARTRIDGE, 105MM HEAT-MP-T M456A2	NSMP	42.75	45.625	41.125	2464	46.4	30	4079/6B	16
C510	1315009891167	44	14.25	8.75		137	3.2	2	WDN BOX	8836004	CARTRIDGE, 105MM TP-T M467	WP1B	44	57	40.5	2290	58.8	16	4116/45H	1
C511	1315009650713	45.75	14.25	8.75		132	3.3	2	WDN BOX	9321290 & 12960979	CARTRIDGE, 105MM TP-T M490	WP1A	42.75	45.75	50	2063	56.6	15	4116/45K	1
C511	1315010900168	45.75	14.25	8.75		132	3.3	2	WDN BOX	9321290 & 12960979	CARTRIDGE, 105MM TP-T M490	WP1A	42.75	45.75	50	2063	56.6	15	4116/45K	1
C511	1315011072513	45.75	14.25	8.75		132	3.3	2	WDN BOX	9321290 & 12960979	CARTRIDGE, 105MM TP-T M490	WP1A	42.75	45.75	50	2063	56.6	15	4116/45K	1
C511	1315011149491	41.125			6.438	59	0.7	1	PA84		CARTRIDGE, 105MM TP-T M490	WPBPX	46.3125	35.5625	49.125	2432	46.9	39	9328578	17
C511	1315011613683	45.75	14.25	8.75		132	3.3	2	WDN BOX	9321290 & 12960979	CARTRIDGE, 105MM TP-T M490E1	WP1A	42.75	45.75	50	2063	56.6	15	4116/45K	1
C511	1315011629424	41.125			6.438	59	0.7	1	PA84		CARTRIDGE, 105MM TP-T M490	WPBPX	46.3125	35.5625	49.125	2432	46.9	39	9328578	17
C512	1315001437183	43.5	14	8.5		137	3	2	WDN BOX		CARTRIDGE, 105MM SMOKE WP-T M416	WPBPX	42	51	49	2556	60.7	18	4015/7A	3
C512	1315009014921	43.5	14	8.5		137	3	2	WDN BOX		CARTRIDGE, 105MM SMOKE WP-T M416	WP1	42	51	49	2556	60.7	18	4015/7A	3
C513	1315000559725	44.875	13	8.125		126	2.7	2	WDN BOX		CARTRIDGE, 105MM APERS-T XM546	WP1A	39	46.375	46.125	1977	48.3	15	4116/45J	1
C513	1315001437121	44.875	13	8.125		126	2.7	2	WDN BOX		CARTRIDGE, 105MM APERS-T XM546	WP1A	39	46.375	46.125	1977	48.3	15	4116/45J	1
C513	1315001437768	44.875	13	8.125		126	2.7	2	WDN BOX		CARTRIDGE, 105MM APERS-T M546	WP1A	39	46.375	46.125	1977	48.3	15	4116/45J	1
C513	1315009351977	44.875	13	8.125		121	2.7	2	WDN BOX		CARTRIDGE, 105MM APERS-T XM546	WP1A	39	46.375	46.125	1897	48.3	15	4116/45J	1
C513	1315009351978	44.875	13	8.125		126	2.7	2	WDN BOX		CARTRIDGE, 105MM APERS-T XM546	WP1A	39	46.375	46.125	1977	48.3	15	4116/45J	1
C513	1315009351980	44.875	13	8.125		126	2.7	2	WDN BOX		CARTRIDGE, 105MM APERS-T XM546	WP1A	39	46.375	46.125	1977	48.3	15	4116/45J	1
C513	1315009351982	44.875	13	8.125		126	2.7	2	WDN BOX		CARTRIDGE, 105MM APERS-T XM546	WP1A	39	46.375	46.125	1977	48.3	15	4116/45J	1
C513	1315009359178	44.875	13	8.125		121	2.7	2	WDN BOX		CARTRIDGE, 105MM APERS-T XM546	WP1A	39	46.375	46.125	1897	48.3	15	4116/45J	1
C514	1315000795482	44	14.25	8.75		137	3.2	2	WDN BOX	8836004	CARTRIDGE, 105MM DUMMY M457	WP1B	44	57	40.5	2290	58.8	16	4116/45H	1
C518	1315007280704	44	14.25	8.75		137	3.2	2	WDN BOX	8836004	CARTRIDGE, 105MM HEP-T M393A2	WP1B	44	57	40.5	2290	58.8	16	4116/45H	1
C518	1315009356128	44	14.25	8.75		137	3.2	2	WDN BOX	8836004	CARTRIDGE, 105MM HEP-T M393A2	WP1B	44	57	40.5	2290	58.8	16	4116/45H	1
C518	1315010638832	44	14.25	8.75		137	3.2	2	WDN BOX	8836004	CARTRIDGE, 105MM HEP-T M393A2	WP1B	44	57	40.5	2290	58.8	16	4116/45H	1
C519	1315001436930	46.75	14.25	9		140	3.5	2	WDN BOX		CARTRIDGE, 105MM APERS-T M494	WP1A	42.75	46.75	51.25	2128	59.3	15	4116/45M	1
C519	1315009356154	46.75	14.25	9		140	3.5	2	WDN BOX		CARTRIDGE, 105MM APERS-T M494	WP1A	42.75	46.75	51.25	2128	59.3	15	4116/45M	1
C520	1315010326127	38.4375	14.125	8.625		106	2.7	2	WDN BOX		CARTRIDGE, 105MM TPDS-T M724A1	WP1A	38.4375	45.5	48.625	1692	49.1	15	4116/45Q	1
C520	1315010412320	37.1875	13.75	7.375		126	2.2	2	WBD BOX		CARTRIDGE, 105MM TPDS-T M724A1	WP1A	37.1875	45.75	47.5	2370	46.8	18	4116/45B	1
C520	1315013151635	38.4375	14.125	8.625		106	2.7	2	WDN BOX		CARTRIDGE, 105MM TPDS-T M724A1	WP1A	38.4375	45.5	48.625	1692	49.1	15	4116/45F	1
C521	1315010306838	46.125	14.0625	8.5625		138	3.2	2	WDN BOX		CARTRIDGE, 105MM APFSDS-T M735	WP1	42	48.125	48.25	2185	56.4	15	4116/45Q	1
C521	1315010306838	46.4375	13.3125	7.																

DODIC	NSN	PACK LEN	PACK WID	PACK HGT	PACK DIA	PACK WGT	PACK CUBE	RDS/PACK	PACKAGE TYPE	PACKAGE DRAWING #	NOMENCLATURE	BASE TYPE	UNIT LOAD LEN	UNIT LOAD WID	UNIT LOAD HGT	UNIT LOAD WGT	UNIT LOAD CUBE	PKG/UNIT LOAD	UNIT LOAD DRAWING	SECT. 2 INDEX #
C522	1315010809415	38.125	12	8.125		103	2.2	2	WDN BOX		CARTRIDGE, 105MM TP-T M824	WP1A	38.125	48	38	1719	40.2	16	4116/45C	1
C523	1315010829856	46.125	14.0625	8.5625		127	3.2	2	WDN BOX		CARTRIDGE, 105MM APFSDS-T M774	WP1A	42	48.125	48.25	2020	56.4	15	4116/45Q	1
C523	1315010829856	47.6875	14.0625	8.5625		130	3.3	2	WDN BOX		CARTRIDGE, 105MM APFSDS-T M774	WP1	42	48.25	48.25	2051	56.6	15	4116/45Q	1
C523	1315012270008	45.625			7.125	70	1	1	PA104		CARTRIDGE, 105MM APFSDS-T M774	WP	43.5	45.625	40.625	2733	46.7	30	4079/6A	15
C524	1315011369631	45.625			7.125	70	1	1	PA104		CARTRIDGE, 105MM APFSDS-T M833	WP	43.5	45.625	40.625	2283	46.7	30	4079/6A	15
C524	1315011369631	45.625			7.125	75	1	1	PA104		CARTRIDGE, 105MM APFSDS-T M833	WP1A	38.625	45.625	49	2408	50	30	4079/6	18
C524	1315011369631	45.625			7.125	75	1	1	PA104		CARTRIDGE, 105MM APFSDS-T M833	NSMP	42.75	45.625	41.125	2344	46.4	30	4079/6B	16
C524	1315012270008	45.625			7.125	70	1	1	PA104		CARTRIDGE, 105MM APFSDS-T M833	NSMP	42.75	45.625	41.125	2194	46.4	30	4079/6B	16
C524	1315012454019	44.5			6.875	57	1	1	PA117		CARTRIDGE, 105MM APFSDS-T M833	NSMP	42	44.5	39.5	1883	42.7	30	4079/8	19
C524	1315012454019	44.5			6.875	57	1	1	PA117		CARTRIDGE, 105MM APFSDS-T M833	WP	41.25	44.5	39.875	1804	41.8	30	4079/8A	20
C540	UNAS UNAS	44.5			6.875	68	1.2	1	PA117	9378166	CARTRIDGE, 105MM SMOKE HC BE M84A1	MP1	42.75	44.5	40.375	2257	44.5	30	4231/45	14
C541	1315015145716	44.5			6.875	67.5	1.2	1	PA117	9378166	CARTRIDGE, 105MM ILLUMINATING M314A3	MP1	42.75	44.5	40.375	2242	44.5	30	4231/45	14
C541	1315015274400	44.5			6.875	67.5	1.2	1	PA117	9378166	CARTRIDGE, 105MM ILLUMINATING M314A3 WITH BRASS CASE WITHOUT FUZE	MP1	42.75	44.5	40.375	2242	44.5	30	4231/45	14
C542	1315012995858	37.25	11.9375	7.5938		120	2	2	WDN BOX	7549072	CARTRIDGE, 105MM ILLUMINATING M314A3 W/O FUZE	WP1A	37.25	47.75	51.0625	2954	52.6	24	4116/45	1
C542	1315013139759	37.25	11.9375	7.5938		120	2	2	WDN BOX	7549072	CARTRIDGE, 105MM ILLUMINATING M314A3/M314A2E1 STEEL CASE W/O FUZE	WP1A	37.25	47.75	51.0625	2954	52.6	24	4116/45	1
C542	UNAS UNAS	44.5			6.875	67.5	1.2	1	PA117	9378166	CARTRIDGE, 105MM ILLUM M314A3	MP1	42.75	44.5	40.375	2242	44.5	30	4231/45	14
C543	1315013246633	44.5			6.875	67.5	1.2	1	PA117	9378166	CARTRIDGE, 105MM APFSDS-T M900	MP1	42.75	44.5	40.375	2242	44.5	30	4231/45	14
C544	1315013204190	44.5			6.875	67.5	1.2	1	PA117	9378166	CARTRIDGE, 105MM HERA M927	MP1	42.75	44.5	40.375	2242	44.5	30	4231/45	14
C546	1315012502857	44.5			6.875	67.5	1.2	1	PA117	9378166	CARTRIDGE, 105MM HERA M913	MP1	42.75	44.5	40.375	2242	44.5	30	4231/45	14
G601	1315009261928	43.625	13	8.1562		118	2.7	2	WDN BOX		CARTRIDGE, 90MM CANISTER APER M377	WP1	43.625	52	38.125	1975	50.1	16	4116/44	1
G623	1315013431941	12.375	6.375	31.8125		97	1.5	2	PA154	12577569	CARTRIDGE, 120MM HE M933 WITH FUZE PD M745	WP1	41.625	51	37.3125	2479	45	24	4116/38A	1
G624	1315013431940	12.375	6.375	31.8125		97	1.5	2	PA154	12577569	CARTRIDGE, 120MM WP M929	WP1	41.625	51	37.3125	2479	47.9	24	4015/7B	1
G625	1315013431942	12.375	6.375	31.8125		97	1.5	2	PA154	12577569	CARTRIDGE, 120MM ILLUMINATING M930	WP1	41.625	51	37.3125	2479	45	24	4116/38A	1
G625	1315015585201	12.375	6.375	31.8125		97	1.5	2	PA154	12577569	CARTRIDGE, 120MM VISIBLE LIGHT (VL) ILLUMINATING M930	WP1	41.625	51	37.3125	2479	45	24	4116/38A	1
G625	1315016242864	12.375	6.375	31.8125		97	1.5	2	PA154	12577569	CARTRIDGE, 120MM VISIBLE LIGHT (VL) ILLUMINATING M930 W/CHARGE PROPELLING M234A1	WP1	41.625	51	37.3125	2479	45	24	4116/38A	1
G650	1315003433612	45.0625	12.8125	8		119	2.7	2	WDN BOX		CARTRIDGE, 106MM HEAT M344A1	WP1A	38.5	46.5625	53.5	2247	55.5	18	4116/46A	1
G650	1315009650564	45.0625	12.8125	8		119	2.7	2	WDN BOX		CARTRIDGE, 106MM HEAT M344A1	WP1A	38.5	46.5625	53.5	2247	55.5	18	4116/46A	1
G651	1315000284791	44.625	12.75	8.875		128	2.9	2	WDN BOX		CARTRIDGE, 106MM HEP-T M346/M346B1	SK1OR2	44.625	38.25	50.125	1961	49.5	15	4138/15B	2
G651	1315003433613	44.625	12.8125	7.9687		128	2.6	2	WDN BOX	7549070	CARTRIDGE, 106MM HEP-T M346A1	WP1	44.625	51.25	53.375	3162	70.6	24	4116/46	1
G651	1315003433613	44.625	12.75	8.875		128	2.9	2	WDN BOX		CARTRIDGE, 106MM HEP-T M346A1	SK1OR2	44.625	38.25	50.125	1961	49.5	15	4138/15B	2
G651	1315009264019	49.625	13	8.25		134	3.1	2	WDN BOX	9212554	CARTRIDGE, 106MM HEP-T M346A1	WP1	41.25	49.625	44.5	2099	52.7	15	4116/46B	1
G651	1315009264019	44.625	12.75	8.875		128	2.9	2	WDN BOX		CARTRIDGE, 106MM HEP-T M346A1	SK1OR2	44.625	38.25	50.125	1961	49.5	15	4138/15B	2
G653	1315005853573	45.0625	12.8125	8		120	2.7	2	WDN BOX		CARTRIDGE, 106MM INERT LOADED M344A1	WP1A	38.5	46.5625	53.5	2265	55.5	18	4116/46A	1
G654	1315006843051	49.625	13	8.25		134	3.1	2	WDN BOX	9212554	CARTRIDGE, 106MM DUMMY M368	WP1	41.25	49.625	44.5	2099	52.7	15	4116/46B	1
G654	1315006843051	44.625	12.75	8.875		128	2.9	2	WDN BOX		CARTRIDGE, 106MM DUMMY M368	SK1OR2	44.625	38.25	50.125	1961	49.5	15	4138/15B	2
G660	1315009261892	49.625	13	8.25		134	3.1	2	WDN BOX	9212554	CARTRIDGE, 106MM APERS-T M581	WP1	41.25	49.625	44.5	2099	52.7	15	4116/46B	1
G660	1315009269275	49.625	13	8.25		134	3.1	2	WDN BOX	9212554	CARTRIDGE, 106MM APERS-T M581	WP1	41.25	49.625	44.5	2099	52.7	15	4116/46B	1
G660	1315009359179	49.625	13	8.25		134	3.1	2	WDN BOX	9212554	CARTRIDGE, 106MM APERS-T M581	WP1	41.25	49.625	44.5	2099	52.7	15	4116/46B	1
G697	1315012118411	27	11.6875	7.25		64	1.3	2	WDN BOX		CARTRIDGE, 4.2 INCH HE M329A2 W/SCRUBBER OBTURATOR	WP1B	43.5	54	52.25	3174	71	48	4116/39A	1
G698	1315000285024	27	11.25	7.25		70	1.3	2	WDN BOX		CARTRIDGE, 4.2 INCH GAS HT M2	WP1B	43.5	54	50.5	3465	68.6	48	4116/39	1
G699	1315000074882	27	11.6875	7.25		64	1.3	2	WDN BOX		CARTRIDGE, 4.2 INCH HE M329A2 W/O SCRUBBER OBTURATOR	WP1B	43.5	54	52.25	3174	71	48	4116/39A	1
C703	1315000285018	27	11.25	7.25		70	1.3	2	WDN BOX		CARTRIDGE, 4.2 INCH GAS HD M2	WP1B	43.5	54	50.5	3465	68.6	48	4116/39	1
C703	1315000285018	27	11.25	7.25		70	1.3	2	WDN BOX		CARTRIDGE, 4.2 INCH GAS HD M2	SK1	45	27	49.25	1718	34.6	24	4138/16A	2
C703	1315000285024	27	11.25	7.25		70	1.3	2	WDN BOX		CARTRIDGE, 4.2 INCH GAS HT M2	SK1	45	27	49.25	1718	34.6	24	4138/16A	2
C703	1315000285025	27	11.25	7.25		63	1.3	2	WDN BOX		CARTRIDGE, 4.2 INCH GAS HT M2	SK1	45	27	49.25	1550	34.6	24	4138/16A	2
C703	1315000285027	27	11.25	7.25		70	1.3	2	WDN BOX		CARTRIDGE, 4.2 INCH GAS HD M2	WP1B	43.5	54	50.5	3465	68.6	48	4116/39	1
C703	1315000285027	27	11.25	7.25		70	1.3	2	WDN BOX		CARTRIDGE, 4.2 INCH GAS HD M2	SK1	45	27	49.25	1718	34.6	24	4138/16A	2
C704	1315000083188	27	11.9375	7.25		64	1.4	2	WDN BOX		CARTRIDGE, 4.2 INCH HE M329 W/PD FUZE	WP1B	43.5	54	52.25	3174	71	48	4116/39A	1
C704	1315000285016	31.3125	11.8125	7.375		76	1.6	2	WDN BOX		CARTRIDGE, 4.2 INCH HE M329 W/PD FUZE	WP1A	36.875	47.25	36.75	1590	37.1	20	4116/39B	1
C704	1315001457537	31.3125	11.8125	7.375		76	1.6	2	WDN BOX		CARTRIDGE, 4.2 INCH HE M329 W/PD FUZE	WP1A	36.875	47.25	36.75	1590	37.1	20	4116/39B	1
C704	1315007825830	31.3125	11.8125	7.375		76	1.6	2	WDN BOX		CARTRIDGE, 4.2 INCH HE M329A1 W/PD FUZE	WP1A	36.875	47.25	36.75	1590	37.1	20	4116/39B	1
C704	1315008924864	31.3125	11.8125	7.375		76	1.6	2	WDN BOX		CARTRIDGE, 4.2 INCH HE M329 W/PD FUZE	WP1A	36.875	47.25	36.75	1590	37.1	20	4116/39B	1
C704	1315009359128	31.3125	11.8125	7.375		76	1.6	2	WDN BOX		CARTRIDGE, 4.2 INCH HE M329A1 W/PD FUZE	WP1A	36.875	47.25	36.75	1590	37.1	20	4116/39B	1
C704	1315009650487	31.3125	11.8125	7.375		76	1.6	2	WDN BOX		CARTRIDGE									

DODIC	NSN	PACK LEN	PACK WID	PACK HGT	PACK DIA	PACK WGT	PACK CUBE	RDS/PACK	PACKAGE TYPE	PACKAGE DRAWING #	NOMENCLATURE	BASE TYPE	UNIT LOAD LEN	UNIT LOAD WID	UNIT LOAD HGT	UNIT LOAD WGT	UNIT LOAD CUBE	PKG/UNIT LOAD	UNIT LOAD DRAWING	SECT. 2 INDEX #
C708	1315000285020	31.375	11.875	7.375		76	1.6	2	WDN BOX		CARTRIDGE, 4.2 INCH SMOKE WP M328	WP1A	36.875	47.5	36.875	1590	37.4	20 4015/8A	3	
C708	1315004656032	31.375	11.875	7.375		76	1.6	2	WDN BOX		CARTRIDGE, 4.2 INCH SMOKE WP M328	WP1A	36.875	47.5	36.875	1590	37.4	20 4015/8A	3	
C708	1315009261935	31.375	11.875	7.375		76	1.6	2	WDN BOX		CARTRIDGE, 4.2 INCH SMOKE WP M328A1	WP1A	36.875	47.5	36.875	1590	37.4	20 4015/8A	3	
C708	1315009359131	31.375	11.875	7.375		76	1.6	2	WDN BOX		CARTRIDGE, 4.2 INCH SMOKE WP M328A1	WP1A	36.875	47.5	36.875	1590	37.4	20 4015/8A	3	
C708	1315009359214	31.375	11.875	7.375		76	1.6	2	WDN BOX		CARTRIDGE, 4.2 INCH SMOKE WP M328A1	WP1A	36.875	47.5	36.875	1590	37.4	20 4015/8A	3	
C708	1315009650846	31.375	11.875	7.375		76	1.6	2	WDN BOX		CARTRIDGE, 4.2 INCH SMOKE WP M328A1	WP1A	36.875	47.5	36.875	1590	37.4	20 4015/8A	3	
C710	1315009359286	31.3125	11.8125	7.375		76	1.6	2	WDN BOX		CARTRIDGE, 4.2 INCH CS M630	WP1A	36.875	47.25	36.75	1590	37.1	20 4116/39B	1	
C750	1315009010602	16.375	12.25	10.5		72	1.2	30	WDN BOX		BURSTER, PROJECTILE M40A1 F/105MM GB CARTRIDGE	WP1A	36.75	49.125	47.5	2664	49.6	36 4116/49C	1	
C751	1315004035603	16.75	9.625	11.7812		67	1.1	100	WDN BOX		BURSTER, PROJECTILE M53A1 F/105MM WP CARTRIDGE	WP1A	38.5	50.25	40.8125	2435	45.7	35 4116/49A	1	
C751	1315004597295	16.75	9.625	11.7812		67	1.1	100	WDN BOX		BURSTER, PROJECTILE XM53 F/105MM WP CARTRIDGE	WP1A	38.5	50.25	40.8125	2435	45.7	35 4116/49A	1	
C755	1315002278073	17.4063	10.6875	12.5938		57	1.4	300	WDN BOX		BURSTER, PROJECTILE F/105MM M416 CARTRIDGE	WP1	42.75	52.25	43.25	2139	55.9	36 4116/49B	1	
C783	1315011698749	45.625	9.125	10.25		78	2.5	1	PLY BOX		CARTRIDGE, 120MM APFSDS-T M827	WP1A	41	45.625	51.125	1633	55.3	20 4116/38	1	
C784	1315011656487	45.625	9.125	10.25		89	2.5	1	PLY BOX		CARTRIDGE, 120MM TP-T M831	WP1A	41	45.625	51.125	1853	55.3	20 4116/38	1	
C784	1315012508636	44.5			7.75	75.4	1.5	1	PA116	9386831	CARTRIDGE, 120MM TP-T M831	WP	40.125	44	52.625	2420	53.8	30 4079/7B	21	
C784	1315012927754	44.5			7.75	75	1.5	1	PA116	9386831	CARTRIDGE, 120MM TP-T M831	WP	40.125	44.5	45.25	2043	46.8	25 4079/7	11	
C784	1315013691901	44.5			7.75	75	1.5	1	PA116	9386831	CARTRIDGE, 120MM TP-T M831	WP	40.125	44.5	45.25	2043	46.8	25 4079/7	11	
C784	1315013696612	44.5			7.75	75.4	1.5	1	PA116	9386831	CARTRIDGE, 120MM TP-T M831A1	WP	40.125	44	52.625	2420	53.8	30 4079/7B	21	
C785	1315011656488	45.625	9.125	10.25		78	2.5	1	PLY BOX		CARTRIDGE, 120MM TPCSDS-T M865	WP1A	41	45.625	51.125	1633	55.3	20 4116/38	1	
C785	1315012424796	44.5			7.75	63.2	1.5	1	PA116	9386831	CARTRIDGE, 120MM TPCSDS-T M865	WP	40.125	44	52.625	2054	53.8	30 4079/7B	21	
C785	1315012885545	44.5			7.75	63.2	1.5	1	PA116	9386831	CARTRIDGE, 120MM TPCSDS-T M865	WP	40.125	44	52.625	2054	53.8	30 4079/7B	21	
C785	1315012927755	44.5			7.75	64	1.5	1	PA116	9386831	CARTRIDGE, 120MM TPCSDS-T M865	WP	40.125	44.5	45.25	1738	46.8	25 4079/7	11	
C785	1315013059252	44.5			7.75	64	1.5	1	PA116	9386831	CARTRIDGE, 120MM TPCSDS-T M865	WP	40.125	44.5	45.25	1738	46.8	25 4079/7	11	
C785	1315015081349	44.5			7.75	61	1.5	1	PA116	9386831	CARTRIDGE, 120MM TPCSDS-T M865	NSMP	39.5	44.5	51.5	2101	52.4	30 4079/7A	9	
C785	1315015504807	44.5			7.75	63.2	1.5	1	PA171	12990755	CARTRIDGE, 120MM TPCSDS-T M865	MP1	40.125	44.5	52.875	2107	54.7	30 4231/48	10	
C785	1315015504811	44.5			7.75	67.2	1.5	1	PA171	12990755	CARTRIDGE, 120MM TPCSDS-T M865	WP	40.125	44	52.625	2174	53.8	30 4079/7B	21	
C785	1315015995332	44.5			7.75	63.2	1.5	1	PA116	9386831	CARTRIDGE, 120MM TPCSDS-T M865	WP	40.125	44	52.625	2054	53.8	30 4079/7B	21	
C785	1315015995341	44.5			7.75	67.2	1.5	1	PA171	13016465	CARTRIDGE, 120MM TPCSDS-T M865	MP1	40.125	44.5	52.875	2227	54.7	30 4231/48	10	
C785	1315016072105	44.5			7.75	67.2	1.5	1	PA171	12990755	CARTRIDGE, 120MM TPCSDS-T M865	WP	40.125	44	52.625	2174	53.8	30 4079/7B	21	
C786	1315012267418	44.5			7.75	75	1.5	1	PA116	9386831	CARTRIDGE, 120MM APFSDS-T M829	NSMP	39.5	44.5	51.5	2061	52.4	30 4079/7A	9	
C786	1315012267418	44.5			7.75	64	1.5	1	PA116	9386831	CARTRIDGE, 120MM APFSDS-T M829	MP1	40.125	44.5	52.875	2131	54.7	30 4231/48	10	
C786	1315012927753	44.5			7.75	64	1.5	1	PA116	9386831	CARTRIDGE, 120MM APFSDS-T M829	WP	40.125	44.5	45.25	1738	46.8	25 4079/7	11	
C787	1315012324638	44.5			7.75	75	1.5	1	PA116	9386831	CARTRIDGE, 120MM HEAT-MP-T M830	NSMP	39.5	44.5	51.5	2421	52.4	30 4079/7A	9	
C787	1315012324638	44.5			7.75	75	1.5	1	PA116	9386831	CARTRIDGE, 120MM HEAT-MP-T M830	MP1	40.125	44.5	52.875	2461	54.7	30 4231/48	10	
C787	1315012929868	44.5			7.75	75	1.5	1	PA116	9386831	CARTRIDGE, 120MM HEAT-MP-T M830	WP	40.125	44.5	45.25	2043	46.8	25 4079/7	11	
C791	1315013330533	44.5			7.75	73	1.5	1	PA116	9386831	CARTRIDGE, 120MM HEAT-MP-T M830A1	WP	40.125	44.5	45.25	2033	46.8	25 4079/7	11	
C791	1315013330534	44.5			7.75	76	1.5	1	PA116	9386831	CARTRIDGE, 120MM HEAT-MP-T M830A1	WP	40.125	44.5	52.875	2481	54.7	30 4231/48	10	
C792	1315013615023	44.5			7.75	69	1.5	1	PA116	9386831	CARTRIDGE, 120MM APFSDS-T M829A2	MP1	40.125	44.5	52.875	2265	54.7	30 4231/48	10	
C868	1315011588199	25.5	14	7.875		57	1.6	3	MET BOX		CARTRIDGE, 81MM HE M821	WP1	42	51	44.875	1798	55.6	30 4116/43H	1	
C868	1315013537618	14.3437	5.75	22.875		50	1.1	3	PA156	6213304	CARTRIDGE, 81MM HE M821A1	WP1	40.25	49.0313	28.375	1187	32.1	21 4116/43N	1	
C868	1315013576160	14.3437	5.75	22.875		55	1.1	3	PA156	6213304	CARTRIDGE, 81MM HE M821E1	WP1	40.25	49.0313	28.375	1292	32.1	21 4116/43N	1	
C869	1315011588200	25.5	14	7.875		57	1.6	3	MET BOX		CARTRIDGE, 81MM HE M889	WP1	42	51	44.875	1798	55.6	30 4116/43H	1	
C869	1315013537619	14.3437	5.75	22.875		50	1.1	3	PA156	6213304	CARTRIDGE, 81MM HE M983	WP1	40.25	49.0313	28.375	1187	32.1	21 4116/43N	1	
C869	1315013576159	14.3437	5.75	22.875		55	1.1	3	PA156	6213304	CARTRIDGE, 81MM HE M889	WP1	40.25	49.0313	28.375	1292	32.1	21 4116/43N	1	
C870	1315011998688	31.0625	13.8125	6.6875		63	1.7	3	WDN BOX		CARTRIDGE, 81MM SMOKE RP M819	WP1B	43	62.125	39	2008	60.3	30 4116/43J	1	
C870	1315013537620	14.3437	5.7031	29.0625		60	1.4	3	PA157		CARTRIDGE, 81MM SMOKE RP M819	WP1	40.25	48.875	34.625	1413	39.5	21 4116/43P	1	
C871	1315011998689	31.0625	13.8125	6.6875		58	1.7	3	WDN BOX		CARTRIDGE, 81MM ILLUMINATING M853A1	WP1B	43	62.125	39	1858	60.3	30 4116/43J	1	
C871	1315012899789	31.0625	13.8125	6.6875		58	1.7	3	WDN BOX		CARTRIDGE, 81MM ILLUMINATING M853A1	WP1B	43	62.125	39	2008	60.3	30 4116/43J	1	
C871	1315013537617	14.3437	5.7031	29.0625		54	1.4	3	PA157		CARTRIDGE, 81MM ILLUMINATING M853A1	WP1	40.25	48.875	34.625	1287	39.5	21 4116/43P	1	
C875	1315012004223	31.0625	13.8125	6.6875		60	1.7	3	WDN BOX		CARTRIDGE, 81MM PRACTICE M879	WP1B	43	62.125	39	198	60.3	30 4116/43J	1	
C875	1315013520392	25.125	13.375	5.3125		49	1	3	WBD BOX	12630597	CARTRIDGE, 81MM PRAC M879	WP1	40.125	50.25	43.4375	1865	50.7	36 4116/43D	1	
C875	1315013544916	14.3437	5.75	22.875		51	1.1	3	PA156	6213304	CARTRIDGE, 81MM PRACTICE M879	WP1	40.25	49.0313	28.375	1208	32.1	21 4116/43N	1	
C875	1315015377915	23.6875	13.375	5.3125		48.6	0.9	3	WBD BOX	12630601	CARTRIDGE, 81MM PRACTICE M879A1	WP1	40.125	48.125	42.6875	2153	47.7	42 4116/43M	1	
C875	1315015396966	23.6875	13.375	5.3125		48.6	0.9	3	WBD BOX	12630601	CARTRIDGE, 81MM FULL RANGE PRACTICE M879	WP1	40.125	48.125	42.6875	2153	47.7	42 4116/43M	1	
C876	1315012167071	18	17	8.75		77	1.5	8	WBD BOX		CARTRIDGE, 81MM PRACTICE SHORT RANGE M880	WP1A	36	51	49.25	2381	52.3	30 4116/43K	1	
C990	1315010508883	23.5	17.375	15.4375		54	3.6	192	WBD BOX		CARTRIDGE, IGNITION M299 F/81MM MORTAR	WP1A	35	47	36.375	503	34.6	8 4116/42A	1	
C995	1315012454950	44.375	35.5	8.375		150	7.6	5	PLY BOX		LAUNCHER & CARTRIDGE 84MM M136 AT4	WP1A	35.5	45.875	39	678	36.8	4 4116/37	1	
C995	1315012454950	46.5	36.25	10.25		150	10	5	WDN BOX	28201930	LAUNCHER & CARTRIDGE 84MM M136 AT4	WP1A	36.25	46.5	46.5	671	45.5	4 4116/37B	1	
C995	1315013243055	44.375	35.5	8.375		150	7.6	5	PLY BOX		LAUNCHER & CARTRIDGE 84MM M136 AT4	WP1A	35.5	45.875	39	678	36.8	4 4116/37	1	
CA01	1315013886636	44.5			6.875	67.5	1.2	1	PA117	9378166	CARTRIDGE, 105MM HERA M913E1	MP1	42.75	44.5	40.375	2242	44.5	30 4231/45	14	
CA03	1315014178440	12.375	6.375	31.8125		97	1.5	2	PA154	12577569	CARTRIDGE, 120MM SMOKE WP M929	WP1	41.625	51	37.3125	2479	47.9	24 4015/7B	1	
CA03	1315016298706	12.375	6.375	31.8125		97	1.5	2	PA154	12577569	CARTRIDGE, 120MM SMOKE WP M									

DODIC	NSN	PACK LEN	PACK WID	PACK HGT	PACK DIA	PACK WGT	PACK CUBE	RDS/ PACK	PACKAGE TYPE	PACKAGE DRAWING #	NOMENCLATURE	BASE TYPE	UNIT LOAD LEN	UNIT LOAD WID	UNIT LOAD HGT	UNIT LOAD WGT	UNIT LOAD CUBE	PKG/ UNIT LOAD	UNIT LOAD DRAWING	SECT. 2 INDEX #
D230	1320011219598										PROJECTILE, 5 INCH 38 CAL AAC W/MTF MK 50 OR MK349	MK3 MP	40	48	28.375	3030	31.6	48	MS-1323-4	24
D230	1320011227622										PROJECTILE, 5 INCH 38 CAL AAC W/MTF MK 50 OR MK349	MK3 MP	40	48	28.375	3030	31.6	48	MS-1323-4	24
D230	1320011325395										PROJECTILE, 5 INCH 38 CAL AAC W/MTF MK 50 OR MK349	MK3 MP	40	48	28.375	3030	31.6	48	MS-1323-4	24
D230	1320011383847										PROJECTILE, 5 INCH 38 CAL AAC W/MTF MK 50 OR MK349	MK3 MP	40	48	27.5	3030	31.6	48	MS-1323-4	24
D230	1320011439381										PROJECTILE, 5 INCH 38 CAL AAC W/MTF MK 50 OR MK349	MK3 MP	40	48	27.5	3030	31.6	48		24
D232	1320000392769										PROJECTILE, 5 INCH 38 CAL VT-SD W/AUX DET FUZE	MK3 MP	40	48	28.375	3030	31.6	48	MS-1323-4	24
D233	1320000392770										PROJECTILE, 5 INCH 38 CAL VT NON-SD W/AUX DET FUZE	MK3 MP	40	48	28.375	3030	31.6	48		24
D235	1320005602085										PROJECTILE, 5 INCH 38 CAL HC MK52 (COMP A-3)	MK3 MP	40	48	28.33	3030	31.6	48	MS-1323-4	24
D235	1320006408676										PROJECTILE, 5 INCH 38 CAL HC W/PDF MK35 OR MK49	MK3 MP	40	48	28.33	3030	31.6	48	MS-1323-4	24
D235	1320008324650										PROJECTILE, 5 INCH 38 CAL HC MK52	MK3 MP	40	48	28.33	3030	31.6	48	MS-1323-4	24
D235	1320011082806										PROJECTILE, 5 INCH 38 CAL HC W/PDF	MK3 MP	40	48	28.33	3030	31.6	48	MS-1323-4	24
D235	1320011082809										PROJECTILE, 5 INCH 38 CAL HC W/PDF	MK3 MP	40	48	28.33	3030	31.6	48	MS-1323-4	24
D237	1320002038577										PROJECTILE, 5 INCH 38 CAL COMMON MK38	MK3 MP	40	48	27.5	2910	30.6	48		24
D237	1320002942789										PROJECTILE, 5 INCH 38 CAL COMMON	MK3 MP	40	48	27.5	2910	30.6	48		24
D237	1320002942792										PROJECTILE, 5 INCH 38 CAL COMMON	MK3 MP	40	48	27.5	2910	30.6	48		24
D237	1320002942806										PROJECTILE, 5 INCH 38 CAL COMMON	MK3 MP	40	48	27.5	2910	30.6	48		24
D237	1320005557363										PROJECTILE, 5 INCH 38 CAL COMMON MK32	MK3 MP	40	48	27.5	2910	30.6	48		24
D237	1320005557450										PROJECTILE, 5 INCH 38 CAL COMMON MK38	MK3 MP	40	48	28.375	3030	31.5	48		24
D237	1320005557586										PROJECTILE, 5 INCH 38 CAL COMMON MK32	MK3 MP	40	48	27.5	2910	30.6	48		24
D238	1320000394229										PROJECTILE, 5 INCH 38 CAL HE-PD	MK3 MP	40	48	28.375	3030	31.6	48	MS-1323-4	24
D238	1320000551098										PROJECTILE, 5 INCH 38 CAL HE-PD MK52	MK3 MP	40	48	28.375	3030	31.6	48	MS-1323-4	24
D238	1320001035293										PROJECTILE, 5 INCH 38 CAL HE-PD MK35	MK3 MP	40	48	28.375	3030	31.6	48	MS-1323-4	24
D238	1320001192070										PROJECTILE, 5 INCH 38 CAL HE-PD MK35	MK3 MP	40	48	28.375	3030	31.6	48	MS-1323-4	24
D238	1320009301654										PROJECTILE, 5 INCH 38 CAL HE-PD MK35	MK3 MP	40	48	28.375	3030	31.6	48	MS-1323-4	24
D238	1320009999054										PROJECTILE, 5 INCH 38 CAL HE-PD MK35	MK3 MP	40	48	28.375	3030	31.6	48	MS-1323-4	24
D238	1320010771817										PROJECTILE, 5 INCH 38 CAL HE-PD	MK3 MP	40	48	28.33	2862	31.5	48	MS-1323-4	24
D238	1320011082810										PROJECTILE, 5 INCH 38 CAL HE-PD	MK3 MP	40	48	28.33	2862	31.6	48	MS-1323-4	24
D238	1320011082811										PROJECTILE, 5 INCH 38 CAL HE-PD	MK3 MP	40	48	28.33	2862	31.6	48	MS-1323-4	24
D238	1320011084873										PROJECTILE, 5 INCH 38 CAL HE-PD	MK3 MP	40	48	28.375	3030	31.6	48	MS-1323-4	24
D238	1320011334154										PROJECTILE, 5 INCH 38 CAL HE-PD	MK3 MP	40	48	28.33	2862	31.5	48	MS-1323-4	24
D241	1320009334086										PROJECTILE, 5 INCH 38 CAL HE-MTF	MK3 MP	40	48	28.375	3030	31.6	48	MS-1323-4	24
D241	1320009370983										PROJECTILE, 5 INCH 38 CAL HE-MTF MK35	MK3 MP	40	48	28.375	3030	31.6	48	MS-1323-4	24
D243	1320000390965										PROJECTILE, 5 INCH 38 CAL HE-MTF MK51 MOD 0 (COMP A-3)	MK3 MP	40	48	28.375	3030	31.6	48		24
D243	1320001035241										PROJECTILE, 5 INCH 38 CAL HE-MTF MK66	MK3 MP	40	48	28.375	3030	31.6	48	MS-1323-4	24
D243	1320002434153										PROJECTILE, 5 INCH 38 CAL HE-MTF MK51	MK3 MP	40	48	28.375	3030	31.6	48	MS-1323-4	24
D243	1320011122722										PROJECTILE, 5 INCH 38 CAL HE-MTF MK50 MOD 5	MK3 MP	40	48	28.375	3030	31.6	48		24
D244	1320000392106										PROJECTILE, 5 INCH 38 CAL ILLUMINATING MK50	MK3 MP	40	48	27.5	2910	30.6	48	MS-1323-4	24
D244	1320009084220										PROJECTILE, 5 INCH 38 CAL ILLUMINATING W/MTF MK61	MK3 MP	40	48	28.375	3085	31.6	48	MS-1323-4	24
D244	1320010063305										PROJECTILE, 5 INCH 38 CAL ILLUMINATING W/MTF MK61	MK3 MP	40	48	28.375	3085	31.6	48	MS-1323-4	24
D245	1320000390968										PROJECTILE, 5 INCH 38 CAL HE-PD MK51 MOD 0 (COMP A-3)	MK3 MP	40	48	28.33	2862	31.5	48	MS-1323-4	24
D245	1320001035808										PROJECTILE, 5 INCH 38 CAL HE-PD SOLID BASE MK66 MOD 0	MK3 MP	40	48	28.33	2862	31.5	48	MS-1323-4	24
D245	1320002434154										PROJECTILE, 5 INCH 38 CAL HE-PD SOLID BASE MK51	MK3 MP	40	48	28.33	2862	31.5	48	MS-1323-4	24
D245	1320010284940										PROJECTILE, 5 INCH 38 CAL HE-PD SOLID BASE MK120	MK3 MP	40	48	28.33	2862	31.5	48	MS-1323-4	24
D245	1320010284941										PROJECTILE, 5 INCH 38 CAL HE-PD SOLID BASE MK120	MK3 MP	40	48	28.33	2862	31.5	48	MS-1323-4	24
D245	1320011334155										PROJECTILE, 5 INCH 38 CAL HE-PD SOLID BASE	MK3 MP	40	48	28.33	3048	31.5	48	MS-1323-4	24
D247	1320000555006										PROJECTILE, 5 INCH 38 CAL SMOKE WP W/MTF MK50/MK349	MK3 MP	40	48	28.44	2928	31.6	48	MS-1323-4	24
D247	1320000392113										PROJECTILE, 5 INCH 38 CAL SMOKE WP W/MTF MK50/MK349	MK3 MP	40	48	28.44	2928	31.6	48	MS-1323-4	24
D248	1320001572148										PROJECTILE, 5 INCH 38 CAL VT-NON FRAG SD W/BOOSTER	MK3 MP	40	48	28.38	3030	31.6	48	MS-1323-4	24
D248	1320010036615										PROJECTILE, 5 INCH 38 CAL VT-NON FRAG SD W/BOOSTER	MK3 MP	40	48	28.38	3030	31.6	48	MS-1323-4	24
D248	1320011188542										PROJECTILE, 5 INCH 38 CAL VT-NON FRAG SD W/BOOSTER	MK3 MP	40	48	28.38	3030	31.6	48	MS-1323-4	24
D248	1320011188543										PROJECTILE, 5 INCH 38 CAL VT-NON FRAG SD W/BOOSTER	MK3 MP	40	48	28.38	3030	31.6	48	MS-1323-4	24
D248	1320011196065										PROJECTILE, 5 INCH 38 CAL VT-NON FRAG SD W/BOOSTER	MK3 MP	40	48	28.38	3030	31.6	48	MS-1323-4	24
D248	1320011196066										PROJECTILE, 5 INCH 38 CAL VT-NON FRAG SD W/BOOSTER	MK3 MP	40	48	28.38	3030	31.6	48	MS-1323-4	24
D249	1320000392459										PROJECTILE, 5 INCH 38 CAL VT-NON FRAG SD	MK3 MP	40	48	28.38	3085	31.6	48	MS-1323-4	24
D249	1320002034169										PROJECTILE, 5 INCH 38 CAL VT-NON FRAG SD	MK3 MP	40	48	28.5	3009	31.7	48	MS-1323-4	24
D249	1320002434145										PROJECTILE, 5 INCH 38 CAL VT-NON FRAG SD	MK3 MP	40	48	28.5	3045	31.7	48	MS-1323-4	24
D249	1320006407832										PROJECTILE, 5 INCH 38 CAL VT-NON FRAG SD	MK3 MP	40	48	28.5	3009	31.7	48	MS-1323-4	24
D249	1320009084221										PROJECTILE, 5 INCH 38 CAL VT-NON FRAG SD	MK3 MP	40	48	28.5	3036	31.7	48	MS-1323-4	24
D250	1320000392225										PROJECTILE, 5 INCH 38 CAL VT-NON FRAG NON-SD W/BOOST	MK3 MP	40	48	28.44	2901	31.6	48		24
D250	1320001572150										PROJECTILE, 5 INCH 38 CAL VT-NON FRAG NON-SD W/BOOST	MK3 MP	40	48	28.44	2901	31.6	48	MS-1323-4	24
D250	1320003402014										PROJECTILE, 5 INCH 38 CAL VT-NON FRAG NON-SD W/BOOST	MK3 MP	40	48	28.38	3085	31.6	48	MS-1323-4	24
D250	1320010038465										PROJECTILE, 5 INCH 38 CAL VT-NON FRAG NON-SD W/BOOST	MK3 MP	40	48	28.44	2901	31.6	48	MS-1323-4	24
D250	1320011188540										PROJECTILE, 5 INCH 38 CAL VT-NON FRAG NON-SD W/BOOST	MK3 MP	40	48	28.44	2901	31.6	48	MS-1323-4	24
D250	1320011188541										PROJECTILE, 5 INCH 38 CAL VT-NON FRAG NON-SD W/BOOST	MK3 MP	40	48	28.44	2901	31.6	48	MS-1323-4	24
D250	1320011196067										PROJECTILE, 5 INCH 38 CAL VT-NON FRAG NON-SD W/BOOST	MK3 MP	40	48	28.44	2901	31.6	48	MS-1323-4	24
D250	1320011879755										PROJECTILE, 5 INCH 38 CAL VT-NON FRAG NON-SD W/BOOST	MK3 MP	40	48	28.38	3085	31.6	48	MS-1323-4	24
D251	1320000392140										PROJECTILE, 5 INCH 38 CAL VT-NON FRAG NON-SD	MK3 MP	40	48	28.38	3030	31.6	48	MS-1323-4	24
D251	1320000392461										PROJECTILE, 5 INCH 38 CAL VT-NON FRAG NON-SD	MK3 MP	40	48	28.38	3030	31.6	48	MS-1323-4	24
D251	1320000392462										PROJECTILE, 5 INCH 38 CAL VT-NON FRAG NON-SD	MK3 MP	40	48	28.38	3030	31.6	48	MS-1323-4	24

DODIC	NSN	PACK LEN	PACK WID	PACK HGT	PACK DIA	PACK WGT	PACK CUBE	RDS/ PACK	PACKAGE TYPE	PACKAGE DRAWING #	NOMENCLATURE	BASE TYPE	UNIT LOAD LEN	UNIT LOAD WID	UNIT LOAD HGT	UNIT LOAD WGT	UNIT LOAD CUBE	PKG/ UNIT LOAD	UNIT LOAD DRAWING	SECT. 2 INDEX #
D251	1320002434147										PROJECTILE, 5 INCH 38 CAL VT-NON FRAG NON-SD	MK3 MP	40	48	28.38	3030	31.6	48	MS-1323-4	24
D251	1320009084222										PROJECTILE, 5 INCH 38 CAL VT-NON FRAG NON-SD	MK3 MP	40	48	28.38	3030	31.6	48	MS-1323-4	24
D255	1320000390964										PROJECTILE, 5 INCH 38 CAL ILLUM MK30	MK3 MP	40	48	28.38	3030	31.6	48	MS-1323-4	24
D255	1320001276610										PROJECTILE, 5 INCH 38 CAL ILLUMINATING W/MTF MK50 OR MK349	MK3 MP	40	48	28.38	3030	31.6	48	MS-1323-4	24
D255	1320004669847										PROJECTILE, 5 INCH 38 CAL ILLUMINATING W/MTF MK50 OR MK349	MK3 MP	40	48	28.38	3030	31.6	48	MS-1323-4	24
D255	1320006848143										PROJECTILE, 5 INCH 38 CAL ILLUM	MK3 MP	40	48	28.38	3030	31.6	48	MS-1323-4	24
D255	1320009097134										PROJECTILE, 5 INCH 38 CAL ILLUMINATING W/MTF MK50 OR MK349	MK3 MP	40	48	28.38	3030	31.6	48	MS-1323-4	24
D255	1320010546729										PROJECTILE, 5 INCH 38 CAL ILLUMINATING MK87 MOD 4	MK3 MP	40	48	28.38	3030	31.5	48	MS-1323-4	24
D255	1320011224417										PROJECTILE, 5 INCH 38 CAL ILLUMINATING W/MTF MK50 OR MK349	MK3 MP	40	48	28.5	3002	31.7	48	MS-1323-4	24
D255	1320011224418										PROJECTILE, 5 INCH 38 CAL ILLUMINATING W/MTF MK50 OR MK349	MK3 MP	40	48	28.5	3000	31.7	48	MS-1323-4	24
D255	1320011224948										PROJECTILE, 5 INCH 38 CAL ILLUMINATING W/MTF MK50 OR MK349	MK3 MP	40	48	27.5	3000	30.6	48	MS-1323-4	24
D256	1320010152672										PROJECTILE, 5 INCH 38 CAL ILLUMINATING W/MTPD FUZE MK403	MK3 MP	40	48	28.38	3085	31.6	48	MS-1323-4	24
D260	1320001047267										PROJECTILE, 5 INCH 38 CAL HE-CVT RAP MK57-0	MK3 MP	40	48	30.75	3160	34.2	48	WR-54/136	27
D261	1320001056654										PROJECTILE, 5 INCH 38 CAL HE-CVT RAP MK57-1	MK3 MP	40	48	30.75	3160	34.2	48	WR-54/136	27
D262	1320004566662										PROJECTILE, 5 INCH 38 CAL HE-CVT RAP MK57-2	MK3 MP	40	48	30.75	3160	34.2	48	WR-54/136	27
D264	1320008713723	29.9			7.47	40	0.8	1	MK9		CHG, PROP 5 INCH 38 CAL FULL WITH CASE	MK12MP	35	50.5	39.75	1484	40.7	33	WR-54/278	28
D264	1320008713723	29.9			7.47	40	0.8	1	MK9		CHG, PROP 5 INCH 38 CAL FULL WITH CASE	MK12MP	34	50.5	51.33	1890	53	46	WR-53/757	25
D267	1320000391932										PROJECTILE, 5 INCH 38 CAL BL-P/T MK31	MK3 MP	40	48	27.5	2955	30.6	48		24
D267	1320000392804										PROJECTILE, 5 INCH 38 CAL BL-P/T	MK3 MP	40	48	27.5	2898	30.6	48		24
D267	1320001226541										PROJECTILE, 5 INCH 38 CAL BL-P/T MK51	MK3 MP	40	48	28.5	3048	31.7	48		24
D267	1320001590785										PROJECTILE, 5 INCH 38 CAL BL-P/T	MK3 MP	40	48	27.5	2905	30.6	48		24
D267	1320004594384										PROJECTILE, 5 INCH 38 CAL BL-P/T	MK3 MP	40	48	28.5	3030	31.7	48		24
D267	1320009060400										PROJECTILE, 5 INCH 38 CAL BL-P/T	MK3 MP	40	48	27.5	2908	30.6	48		24
D267	1320010111474										PROJECTILE, 5 INCH 38 CAL BL-P/T	MK3 MP	40	48	28.5	3025	31.7	48		24
D267	1320010111475										PROJECTILE, 5 INCH 38 CAL BL-P/T	MK3 MP	40	48	28.5	3025	31.7	48		24
D267	1320010111476										PROJECTILE, 5 INCH 38 CAL BL-P/T	MK3 MP	40	48	28.5	3025	31.7	48		24
D267	1320010111477										PROJECTILE, 5 INCH 38 CAL BL-P/T MK110	MK3 MP	40	48	28.5	3025	31.7	48		24
D271	1320006074152										PROJECTILE, 8 INCH AP MK20	MK3 MP	40	48	42.25	4334	46.9	12	WR-54/196	50
D272	1320000391971	29.9			7.47	39	0.8	1	MK9		CHG, PROPELLING 5 INCH 38 CAL FULL NONFLASHLESS	MK12MP	34	50.5	51.88	1890	53	46	WR-53/757	25
D272	1320000391971	29.9			7.47	39	0.8	1	MK9		CHG, PROPELLING 5 INCH 38 CAL FULL NONFLASHLESS	MK12MP	35	50.5	39.75	1484	40.7	33	WR-54/278	28
D272	1320004572577	29.9			7.47	39	0.8	1	MK9		CHG, PROP 5 INCH 38 CAL FULL NONFLASHLESS	MK12MP	34	50.5	51.88	1890	53	46	WR-53/757	25
D272	1320004572577	29.9			7.47	39	0.8	1	MK9		CHG, PROP 5 INCH 38 CAL FULL NONFLASHLESS	MK12MP	35	50.5	39.75	1484	40.7	33	WR-54/278	28
D272	1320005570928	29.9			7.47	39	0.8	1	MK9		CHG, PROP 5 INCH 38 CAL FULL NONFLASHLESS	MK12MP	34	50.5	51.88	1890	53	46	WR-53/757	25
D272	1320005570928	29.9			7.47	39	0.8	1	MK9		CHG, PROP 5 INCH 38 CAL FULL NONFLASHLESS	MK12MP	35	50.5	39.75	1484	40.7	33	WR-54/278	28
D272	1320005570931	29.9			7.47	39	0.8	1	MK9		CHG, PROP 5 INCH 38 CAL FULL NONFLASHLESS	MK12MP	35	50.5	39.75	1484	40.7	33	WR-54/278	28
D272	1320005570931	29.9			7.47	39	0.8	1	MK9		CHG, PROP 5 INCH 38 CAL FULL NONFLASHLESS	MK12MP	34	50.5	51.88	1890	53	46	WR-53/757	25
D273	1320011841698										PROJECTILE, 155MM BLIND LOADED W/INERT GRENADES	WP	29.125	14.625	38.25	482	9.5	8	8837839	30
D274	1320000090351	29.9			7.47	39	0.8	1	MK9		CHG, PROPELLING 5 INCH 38 CAL FULL FLASHLESS	MK12MP	35	50.5	39.75	1484	40.7	33	WR-54/278	28
D274	1320000090351	29.9			7.47	39	0.8	1	MK9		CHG, PROPELLING 5 INCH 38 CAL FULL FLASHLESS	MK12MP	34	50.5	51.88	1890	53	46	WR-53/757	25
D274	1320000392037	29.9			7.47	39	0.8	1	MK9		CHG, PROPELLING 5 INCH 38 CAL FULL FLASH	MK12MP	34	50.5	51.88	1890	53	46	WR-53/757	25
D274	1320000392037	29.9			7.47	39	0.8	1	MK9		CHG, PROPELLING 5 INCH 38 CAL FULL FLASH	MK12MP	35	50.5	39.75	1484	40.7	33	WR-54/278	28
D274	1320001034930	29.9			7.47	39	0.8	1	MK9		CHG, PROPELLING 5 INCH 38 CAL FULL FLASH	MK12MP	34	50.5	51.88	1890	53	46	WR-53/757	25
D274	1320001034930	29.9			7.47	39	0.8	1	MK9		CHG, PROPELLING 5 INCH 38 CAL FULL FLASH	MK12MP	35	50.5	39.75	1484	40.7	33	WR-54/278	28
D274	1320001748174	29.9			7.47	39	0.8	1	MK9		CHG, PROPELLING 5 INCH 38 CAL FULL FLASH	MK12MP	34	50.5	51.88	1890	53	46	WR-53/757	25
D274	1320001748174	29.9			7.47	39	0.8	1	MK9		CHG, PROPELLING 5 INCH 38 CAL FULL FLASH	MK12MP	35	50.5	39.75	1484	40.7	33	WR-54/278	28
D280	1320002482335										PROJECTILE, 5 INCH 38 CAL INFRARED MK51	MK3 MP	40	48	28.78	3030	32	48	MS-1323-4	24
D280	1320002482336										PROJECTILE, 5 INCH 38 CAL INFRARED MK51	MK3 MP	40	48	28.38	3030	31.5	48	MS-1323-4	24
D280	1320008550742										PROJECTILE, 5 INCH 38 CAL IR MK35	MK3 MP	40	48	28.38	3030	31.5	48	MS-1323-4	24
D280	1320011137114										PROJECTILE, 5 INCH 38 CAL INFRARED	MK3 MP	40	48	28.38	3030	31.5	48	MS-1323-4	24
D281	1320007829726										PROJECTILE, 155MM SMOKE WP MK50	MK3 MP	40	48	28.38	3030	31.5	48	MS-1323-4	24
D282	1320000392058	29.9			7.47	40	0.8	1	MK9		CHG, PROPELLING 5 INCH 38 CAL REDUCED NONFLASHLESS	MK12MP	35	50.5	51.88	1706	53	46	WR-53/757	25
D282	1320000392058	29.9			7.47	40	0.8	1	MK9		CHG, PROPELLING 5 INCH 38 CAL REDUCED NONFLASHLESS	MK12MP	35	47.8125	43.5	1048	41.9	39	WR-54/3	26
D282	1320011572494	29.9			7.47	40	0.8	1	MK9		CHG, PROP 5 INCH 38 CAL REDUCED NONFLASHLESS	MK12MP	35	50.5	51.88	1706	53.3	46	WR-53/757	25
D282	1320011572494	29.9			7.47	40	0.8	1	MK9		CHG, PROP 5 INCH 38 CAL REDUCED NONFLASHLESS	MK12MP	35	47.8125	43.75	1086	42.3	39	WR-54/3	26
D286	1320002623033										PROJECTILE, 5 INCH 38 CAL CHAFF 5-BAND	MK3 MP	40	48	28.38	3030	31.5	48	MS-1323-4	24
D286	1320006848144										PROJECTILE, 5 INCH 38 CAL CHAFF 5-BAND MK44	MK3 MP	40	48	28.38	3030	31.5	48	MS-1323-4	24
D286	1320011224419										PROJECTILE, 5 INCH 38 CAL CHAFF 5 BAND	MK3 MP	40	48	28.38	3030	31.5	48	MS-1323-4	24
D287	1320009637102										PROJECTILE, 5 INCH 38 CAL CHAFF X BAND MK44	MK3 MP	40	48	28.44	2901	31.6	48	MS-1323-4	24
D287	1320010270347										PROJECTILE, 5 INCH 38 CAL CHAFF X-BAND MK44	MK3 MP	40	48	28.44	2901	31.6	48	MS-1323-4	24
D287	1320011230032										PROJECTILE, 5 INCH 38 CAL CHAFF X BAND	MK3 MP	40	48	28.44	2901	31.6	48	MS-1323-4	24
D289	1320007317288										PROJECTILE, 5 INCH 38 CAL HE-CVT MK35, MK47 OR MK49	MK3 MP	40	48	27.5	2991	30.6	48	MS-1323-4	24
D289	1320010601102										PROJECTILE, 5 INCH 38 CAL HE-CVT MK35, MK47 OR MK49	MK3 MP	40	48	27.5	2991	30.6	48	MS-1323-4	24
D289	1320011269899										PROJECTILE, 5 INCH 38 CAL HE-CVT MK35, MK47 OR MK49	MK3 MP	40	48	27.5	2991	30.6	48	MS-1323-4	24
D289	1320011269900										PROJECTILE, 5 INCH 38 CAL HE-CVT MK35, MK47 OR MK49	MK3 MP	40	48	27.5	2991	30.6	48	MS-1323-4	24
D290	1320001625209	20	24	29		903	8	12			PROJECTILE, 5 INCH 54 CAL TP SMOKE PUFF W/PDF	MK3 MP	40	48	33.75	3723	37.5	48	6214188	31
D290	1320010033153	20	24	29		903	8	12			PROJECTILE, 5 INCH 54 CAL TP SMOKE PUFF W/PDF	MK3 MP	40	48	33.75	3723	37.5	48	6214188	31
D290	1320010774277	20	24	29		903	8	12			PROJECTILE, 5 INCH 54 CAL TP SMOKE PUFF MK97 MOD 2	MK3 MP	40	48	33.75	3723	37.5	48	6214188	31
D291	1320010774276	20	24	29		904	8	12			PROJECTILE, 5 INCH 54 CAL TP SMOKE PUFF MK96 MOD 0	MK3 MP	40	48	33.75	3727	37.5	48	6214188	31
D292	1320010133174										PROJECTILE, 5 INCH 38 CAL HE-MT/PD MK99 MOD 4	MK3 MP	40	48	28.38	3030	31.5	48	MS-1323-4	24

DODIC	NSN	PACK LEN	PACK WID	PACK HGT	PACK DIA	PACK WGT	PACK CUBE	RDS/ PACK	PACKAGE TYPE	PACKAGE DRAWING #	NOMENCLATURE	BASE TYPE	UNIT LOAD LEN	UNIT LOAD WID	UNIT LOAD HGT	UNIT LOAD WGT	UNIT LOAD CUBE	PKG/ UNIT LOAD	UNIT LOAD DRAWING	SECT. 2 INDEX #
D292	1320011082812										PROJECTILE, 5 INCH 38 CAL HE-MT/PD MK99 MOD 4	MK3 MP	40	48	28.38	3030	31.5	48	MS-1323-4	24
D292	1320011137115										PROJECTILE, 5 INCH 38 CAL HE-MT/PD MK99 MOD 4	MK3 MP	40	48	28.38	3030	31.5	48	MS-1323-4	24
D292	1320011224947										PROJECTILE, 5 INCH 38 CAL HE-MT/PD MK99 MOD 4	MK3 MP	40	48	28.38	3030	31.5	48	MS-1323-4	24
D292	1320011448506										PROJECTILE, 5 INCH 38 CAL HE-MT/PD MK99 MOD 4	MK3 MP	40	48	28.38	3030	31.5	48	MS-1323-4	24
D295	1320000216042										PROJECTILE, 5 INCH 54 CAL HE-CVT MK 55 MOD 0 RF/SF	MK3 MP	40	48	34.5	3632	38.3	48	6214188	31
D295	1320001757135										PROJECTILE, 5 INCH 54 CAL HE-CVT MK64	MK3 MP	40	48	34.5	3632	38.3	48	6214188	31
D295	1320009970327										PROJECTILE, 5 INCH 54 CAL HE-CVT MK 55 MOD 0 RF/SF	MK3 MP	40	48	34.5	3632	38.3	48	6214188	31
D295	1320010642664										PROJECTILE, 5 INCH 54 CAL HE-CVT MK 55 MOD 0 RF/SF MK127 MOD 0	MK3 MP	40	48	34.5	3632	38.3	48	6214188	31
D297	1320007665824	36.33			7.47	33	0.9	1	MK14-0	389112	CHG, PROPELLING, 5 INCH 54 CALIBER REDUCED	MK12MP	36.75	48	43	1420	43.9	39	MS1323/5	108
D297	1320010601118	36.33			7.47	42	0.9	1	MK14-3		CHG, PROPELLING, 5 INCH 54 CALIBER REDUCED MK68 MOD 2	MK12MP	36.75	48	43	1771	43.9	39	MS1323/5	108
D297	1320011555699	36.33			7.47	42	0.9	1	MK14-1	2127876	CHG, PROPELLING, 5 INCH 54 CALIBER REDUCED	MK12MP	36.75	48	43	1771	43.9	39	MS1323/5	108
D298	1320011227621										PROJECTILE, 5 INCH 38 CAL SMOKE WP MK74/30/44/50	MK3 MP	40	48	28.44	2928	31.6	48	MS-1323-4	24
D300	1320010284944	36.33			7.47	42	0.9	1	MK14-1	2127876	CHG, PROPELLING, 5 INCH 54 CALIBER FULL MK73 MOD 0	MK12MP	36.75	48	43	1771	43.9	39	MS1323/5	108
D300	1320011701429	36.33			7.47	42	0.9	1	MK14-1	2127876	CHG, PROPELLING, 5 INCH 54 CALIBER FULL	MK12MP	36.75	48	43	1771	43.9	39	MS1323/5	108
D304	1320000393352	36.33			7.47	42	0.9	1	MK14-1	2127876	CHG, PROPELLING, 5 INCH 54 CAL FULL FLASHLESS	MK12MP	36.75	48	43	1771	43.9	39	MS1323/5	108
D304	1320011493513	36.33			7.47	42	0.9	1	MK14-1	2127876	CHG, PROPELLING, 5 INCH 54 CALIBER FULL	MK12MP	36.75	48	43	1771	43.9	39	MS1323/5	108
D305	1320000393353	36.33			7.47	42	0.9	1	MK14-1	2127876	CHG, PROPELLING, 5 INCH 54 CAL FULL FLASHLESS	MK12MP	36.75	48	43	1771	43.9	39	MS1323/5	108
D305	1320011493514	36.33			7.47	33	0.9	1	MK14-1	2127876	CHG, PROPELLING, 5 INCH 54 CALIBER FULL	MK12MP	36.75	48	43	1420	43.9	39	MS1323/5	108
D312	1320002623040										PROJECTILE, 5 INCH 54 CAL CHAFF S-BAND	MK3 MP	40	48	33.75	3723	37.5	48	6214188	31
D312	1320006848146										PROJECTILE, 5 INCH 54 CAL CHAFF S-BAND MK48	MK3 MP	40	48	33.75	3723	37.5	48	6214188	31
D313	1320005042621										PROJECTILE, 5 INCH 54 CAL SMOKE WP MK48 MOD 1	MK3 MP	40	48	33.75	3779	37.5	48	6214188	31
D313	1320009871620										PROJECTILE, 5 INCH 54 CAL SMOKE WP W/MTF RF/SF	MK3 MP	40	48	33.75	3779	37.5	48	6214188	31
D314	1320005042617										PROJECTILE, 5 INCH 54 CAL SMOKE WP MK48 MOD 1	MK3 MP	40	48	33.75	3779	37.5	48	6214188	31
D314	1320009800495										PROJECTILE, 5 INCH 54 CAL SMOKE WP W/PDF RF/SF	MK3 MP	40	48	33.75	3779	37.5	48	6214188	31
D316	1320000393344										PROJECTILE, 5 INCH 54 CAL VT SD RF/SF	MK3 MP	40	48	33.75	3030	31.6	48	6214188	31
D317	1320000393345										PROJECTILE, 5 INCH 54 CAL VT NON-SD RF/SF	MK3 MP	40	48	34.5	3632	38.4	48	6214188	31
D317	1320011769605										PROJECTILE, 5 INCH 54 CAL VT NON-SD RF/SF	MK3 MP	40	48	34.5	3632	38.4	48	6214188	31
D319	1320000090356										PROJECTILE, 5 INCH 54 CAL AAC RF/SF	MK3 MP	40	48	33.75	3723	37.5	48	6214188	31
D319	1320005409256										PROJECTILE, 5 INCH 54 CAL AAC RF/SF	MK3 MP	40	48	33.75	3723	37.5	48	6214188	31
D319	1320005602087										PROJECTILE, 5 INCH 54 CAL AAC RF/SF	MK3 MP	40	48	33.75	3723	37.5	48	6214188	31
D319	1320008245857										PROJECTILE, 5 INCH 54 CAL AAC RF/SF MK41	MK3 MP	40	48	33.75	3723	37.5	48	6214188	31
D319	1320009333320										PROJECTILE, 5 INCH 54 CAL AAC RF/SF	MK3 MP	40	48	33.75	3723	37.5	48	6214188	31
D320	1320001088506										PROJECTILE, 5 INCH 54 CAL HC MK61	MK3 MP	40	48	33.75	3723	37.5	48	6214188	31
D320	1320005602089										PROJECTILE, 5 INCH 54 CAL HC MK41	MK3 MP	40	48	33.75	3723	37.5	48	6214188	31
D320	1320009333321										PROJECTILE, 5 INCH 54 CAL HC W/PDF RF/SF	MK3 MP	40	48	33.75	3723	37.5	48	6214188	31
D320	1320011531798										PROJECTILE, 5 INCH 54 CAL HC W/PDF RF/SF	MK3 MP	40	48	33.75	3723	37.5	48	6214188	31
D322	1320000393325										PROJECTILE, 5 INCH 54 CAL COMMON RF/SF	MK3 MP	40	48	33.75	3723	37.5	48	6214188	31
D322	1320000393326										PROJECTILE, 5 INCH 54 CAL COMMON RF/SF	MK3 MP	40	48	33.75	3723	37.5	48	6214188	31
D322	1320005540064										PROJECTILE, 5 INCH 54 CAL COMMON RF/SF	MK3 MP	40	48	33.75	3723	37.5	48	6214188	31
D324	1320008793925	36.33			7.47	42	0.9	1	MK14-1	2127876	CHG, PROP, 5 INCH 54 CALIBER FULL	MK12MP	36.75	48	43	1771	43.9	39	MS1323/5	108
D324	1320011560020	36.33			7.47	42	0.9	1	MK14	389112	CHG, PROPELLING, 5 INCH 54 CALIBER FULL	MK12MP	36.75	48	43	1771	43.9	39	MS1323/5	108
D326	1320004118607	36.33			7.47	42	0.9	1	MK14	389112	CHARGE, PROPELLING, 5 INCH 54 CALIBER FULL	MK12MP	36.75	48	43	1771	43.9	39	MS1323/5	108
D326	1320004992028	36.33			7.47	42	0.9	1	MK14	389112	CHG, PROP, 5 INCH 54 CALIBER FULL	MK12MP	36.75	48	43	1771	43.9	39	MS1323/5	108
D326	1320010041082	36.33			7.47	42	0.9	1	MK14-3		CHARGE, PROPELLING, 5 INCH 54 CALIBER MK67 MOD 3	MK12MP	36.75	48	43	1771	43.9	39	MS1323/5	108
D326	1320010642746	36.33			7.47	42	0.9	1	MK14	389112	CHG, PROPELLING, 5 INCH 54 CALIBER FULL	MK12MP	36.75	48	43	1771	43.9	39	MS1323/5	108
D326	1320011493515	36.33			7.47	33	0.9	1	MK14-1	2127876	CHG, PROPELLING, 5 INCH 54 CALIBER FULL	MK12MP	36.75	48	43	1420	43.9	39	MS1323/5	108
D327	1320001395926										PROJECTILE, 5 INCH 54 CAL IR	MK3 MP	40	48	33.75	3723	37.5	48	6214188	31
D327	1320004358192										PROJECTILE, 5 INCH 54 CAL INFRARED	MK3 MP	40	48	33.75	3723	37.5	48	6214188	31
D327	1320010053960										PROJECTILE, 5 INCH 54 CAL INFRARED MK107	MK3 MP	40	48	33.75	3723	37.5	48	6214188	31
D327	1320011807411										PROJECTILE, 5 INCH 54 CAL IR	MK3 MP	40	48	33.75	3723	37.5	48	6214188	31
D328	1320002038876										PROJECTILE, 5 INCH 54 CAL ILLUMINATING MK48 MOD 0 SF ONLY	MK3 MP	40	48	33.75	3723	37.5	48	6214188	31
D330	1320000309020										PROJECTILE, 5 INCH 54 CAL HE-PD W/FUZE W/ADF RF/SF	MK3 MP	40	48	33.75	3723	37.5	48	6214188	31
D330	1320000309024										PROJECTILE, 5 INCH 54 CAL HE-PD W/FUZE W/ADF RF/SF	MK3 MP	40	48	33.75	3723	37.5	48	6214188	31
D330	1320001034928										PROJECTILE, 5 INCH 54 CAL HE-PD MK55	MK3 MP	40	48	33.75	3723	37.5	48	6214188	31
D330	1320001192084										PROJECTILE, 5 INCH 54 CAL HE-PD	MK3 MP	40	48	33.75	3723	37.5	48	6214188	31
D330	1320001835997										PROJECTILE, 5 INCH 54 CAL HE-PD M41	MK3 MP	40	48	33.75	3723	37.5	48	6214188	31
D330	1320008328891										PROJECTILE, 5 INCH 54 CAL HE-PD MK41	MK3 MP	40	48	33.75	3723	37.5	48	6214188	31
D330	1320009302455										PROJECTILE, 5 INCH 54 CAL HE-PD W/FUZE W/ADF RF/SF	MK3 MP	40	48	33.75	3723	37.5	48	6214188	31
D330	1320010070821										PROJECTILE, 5 INCH 54 CAL HE-PD W/FUZE MK80	MK3 MP	40	48	34.5	3632	38.6	48	6214188	31
D330	1320010602872										PROJECTILE, 5 INCH 54 CAL HE-PD W/FUZE W/ADF RF/SF	MK3 MP	40	48	34.5	3632	38.4	48	6214188	31
D330	1320010735662										PROJECTILE, 5 INCH 54 CAL HE-PD W/FUZE W/ADF RF/SF	MK3 MP	40	48	34.5	3632	38.4	48	6214188	31
D330	1320010840306										PROJECTILE, 5 INCH 54 CAL HE-PD MK64	MK3 MP	40	48	34.5	3632	38.4	48	6214188	31
D330	1320010840307										PROJECTILE, 5 INCH 54 CAL HE-PD W/FUZE W/ADF RF/SF	MK3 MP	40	48	34.5	3632	38.4	48	6214188	31
D330	1320010840308										PROJECTILE, 5 INCH 54 CAL HE-PD W/FUZE W/ADF RF/SF	MK3 MP	40	48	34.5	3632	38.4	48	6214188	31
D330	1320010842446										PROJECTILE, 5 INCH 54 CAL HE-PD W/FUZE W/ADF RF/SF	MK3 MP	40	48	34.5	3632	38.4	48	6214188	31
D331	1320001732720										PROJECTILE, 5 INCH 54 CAL VT SD SOLID BASE RF/SF MK64	MK3 MP	40	48	33.75	3723	37.5	48	6214188	31
D331	1320005183941										PROJECTILE, 5 INCH 54 CAL VT SD SOLID BASE RF/SF MK64	MK3 MP	40	48	33.75	3723	37.5	48	6214188	31
D331	1320005183947										PROJECTILE, 5 INCH 54 CAL VT SD SOLID BASE RF/SF MK64	MK3 MP	40	48	33.75	3723	37.5	48	6214188	31
D332	1320001237812										PROJECTILE, 5 INCH 54 CAL VT NSD SOLID BASE RF/SF MK64	MK3 MP	40	48	33.75	3723	37.5	48	6214188	31

DODIC	NSN	PACK LEN	PACK WID	PACK HGT	PACK DIA	PACK WGT	PACK CUBE	RDS/ PACK	PACKAGE TYPE	PACKAGE DRAWING #	NOMENCLATURE	BASE TYPE	UNIT LOAD LEN	UNIT LOAD WID	UNIT LOAD HGT	UNIT LOAD WGT	UNIT LOAD CUBE	PKG/ UNIT LOAD	UNIT LOAD DRAWING	SECT. 2 INDEX #
D332	1320001732721										PROJECTILE, 5 INCH 54 CAL VT NSD SOLID BASE RF/SF MK64	MK3 MP	40	48	33.75	3723	37.5	48	6214188	31
D332	1320005183949										PROJECTILE, 5 INCH 54 CAL VT NSD SOLID BASE RF/SF MK64	MK3 MP	40	48	33.75	3723	37.5	48	6214188	31
D332	1320010239667										PROJECTILE, 5 INCH 54 CAL VT NSD SOLID BASE RF/SF MK116	MK3 MP	40	48	33.75	3723	37.5	48	6214188	31
D333	1320000393329										PROJECTILE, 5 INCH 54 CAL VT NON FRAG SD RF/SF	MK3 MP	40	48	33.75	3723	37.5	48	6214188	31
D333	1320005183942										PROJECTILE, 5 INCH 54 CAL VT NON FRAG SD RF/SF	MK3 MP	40	48	33.75	3723	37.5	48	6214188	31
D333	1320005183950										PROJECTILE, 5 INCH 54 CAL VT NON FRAG SD RF/SF	MK3 MP	40	48	33.75	3723	37.5	48	6214188	31
D333	1320007736941										PROJECTILE, 5 INCH 54 CAL VT NON FRAG SD RF/SF	MK3 MP	40	48	33.75	3723	37.5	48	6214188	31
D333	1320007749750										PROJECTILE, 5 INCH 54 CAL VT NON FRAG SD RF/SF	MK3 MP	40	48	33.75	3723	37.5	48	6214188	31
D334	1320000393320										PROJECTILE, 5 INCH 54 CAL VT NON FRAG NON-SD RF/SF	MK3 MP	40	48	33.75	3723	37.5	48	6214188	31
D334	1320005409257										PROJECTILE, 5 INCH 54 CAL VT NON FRAG NON-SD RF/SF	MK3 MP	40	48	33.75	3723	37.5	48	6214188	31
D334	1320005409258										PROJECTILE, 5 INCH 54 CAL VT NON FRAG NON-SD RF/SF	MK3 MP	40	48	33.75	3723	37.5	48	6214188	31
D336	1320000388783										PROJECTILE, 5 INCH 54 CAL DUMMY MK6 MOD 0	MK3 MP	40	48	33.75	3610	37.5	48	6214188	31
D336	1320000388784										PROJECTILE, 5 INCH 54 CAL DUMMY MK6 MOD 0	MK3 MP	40	48	33.75	3610	37.5	48	6214188	31
D336	1320002133832										PROJECTILE, 5 INCH 54 CAL DUMMY MK6 MOD 0	MK3 MP	40	48	33.75	3610	37.5	48	6214188	31
D336	1320002133833										PROJECTILE, 5 INCH 54 CAL DUMMY MK6 MOD 0	MK3 MP	40	48	33.75	3610	37.5	48	6214188	31
D336	1320011035124										PROJECTILE, 5 INCH 54 CAL DUMMY MK6 MOD 0	MK3 MP	40	48	33.75	3610	37.5	48	6214188	31
D336	1320011135590										PROJECTILE, 5 INCH 54 CAL DUMMY MK6 MOD 0	MK3 MP	40	48	33.75	3610	37.5	48	6214188	31
D338	1320010239666										PROJECTILE, 5 INCH 54 CAL HE-MT/PD MK115-0 RF/SF	MK3 MP	40	48	33.75	3723	37.5	48	6214188	31
D339	1320010239665										PROJECTILE, 5 INCH 54 CAL HC MK108-1	MK3 MP	40	48	34	3387	37.9	48	6214188	31
D339	1320011203995										PROJECTILE, 5 INCH 54 CAL HC MK108-1 W/PDF DELAY	MK3 MP	40	48	34	3627	37.9	48	6214188	31
D340	1320010284943										PROJECTILE, 5 INCH 54 CAL HE-MT/PD MK82-0 RF/SF	MK3 MP	40	48	34.5	3632	38.6	48	6214188	31
D341	1320010284942										PROJECTILE, 5 INCH 54 CAL BL-P HI-FRAG MK109-0 RF/SF	MK3 MP	40	48	34.5	3632	38.6	48	6214188	31
D342	1320010431604										PROJECTILE, 5 INCH 54 CAL HE/INFRARED HI-FRAG MK84 RF/SF	MK3 MP	40	48	34.5	3632	38.6	48	6214188	31
D342	1320010431605										PROJECTILE, 5 INCH 54 CAL HE/INFRARED HI-FRAG MK84 RF/SF	MK3 MP	40	48	33.75	3632	38.6	48	6214188	31
D343	1320010440955										PROJECTILE, 5 INCH 54 CAL HE-PD/D HI-FRAG MK83	MK3 MP	40	48	34.5	3632	38.6	48	6214188	31
D343	1320011269901										PROJECTILE, 5 INCH 54 CAL HE-PD/D HI-FRAG MK83	MK3 MP	40	48	34.5	3632	38.6	48	6214188	31
D346	1320011617500										PROJECTILE, 5 INCH 54 CAL HE-CVT MK81	MK3 MP	40	48	33.75	3632	37.9	48	6214188	31
D349	1320004803389										PROJECTILE, 5 INCH 54 CAL BL-P/T RF/SF	MK3 MP	40	48	31.75	3627	35.3	48	6214188	31
D350	1320001056646										PROJECTILE, 5 INCH 54 CAL HE-CVT MK41 RF/SF	MK3 MP	40	48	33.75	3723	37.5	48	6214188	31
D353	1320000703423										PROJECTILE, 5 INCH 54 CAL ILLUMINATING MK48-1 RF/SF	MK3 MP	40	48	33.75	3723	37.5	48	6214188	31
D353	1320001281086										PROJECTILE, 5 INCH 54 CALIBER ILLUMINATING MK88 MOD 0	MK3 MP	40	48	33.75	3723	37.5	48	6214188	31
D353	1320007314498										PROJECTILE, 5 INCH 54 CAL ILLUM MK48-1 RF/SF	MK3 MP	40	48	33.75	3723	37.5	48	6214188	31
D353	1320010343387										PROJECTILE, 5 INCH 54 CAL ILLUMINATING MK48-1 RF/SF	MK3 MP	40	48	33.75	3723	37.5	48	6214188	31
D353	1320010887928										PROJECTILE, 5 INCH 54 CAL ILLUMINATING MK48-1 RF/SF	MK3 MP	40	48	33.75	3660	37.5	48	6214188	31
D361	1320001823030	55			9.812	120	2.4	1	M460		CHG, PROPELLING 175MM WB M86A2	WP1	40	55	45.5	2005	57.9	16	4042A/8	33
D361	1320008924201	55			9.812	120	2.4	1	M460		CHG, PROPELLING 175MM WB M86A2	WP1	40	55	45.5	2005	57.9	16	4042A/8	33
D361	1320009263986	55			9.812	120	2.4	1	M460		CHG, PROPELLING 175MM WB M86A2	WP1	40	55	45.5	2005	57.9	16	4042A/8	33
D380	1320004910419	42.125	12.6875	13.9375		98	4.3	1	WDN BOX		CARTRIDGE, 152MM TP-T M411	SK1	50.75	42.125	47.625	1209	58.9	12	4138/25A	2
D380	1320009352018	42.125	12.6875	13.9375		98	4.3	1	WDN BOX		CARTRIDGE, 152MM TP-T M411	SK1	50.75	42.125	47.625	1213	58.9	12	4138/25A	2
D381	1320001436832	42.125	12.6875	13.9375		98	4.3	1	WDN BOX		CARTRIDGE, 152MM HEAT-T-MP M409	SK1	50.75	42.125	47.625	1213	58.9	12	4138/25A	2
D381	1320001823432	42.125	12.6875	13.9375		98	4.3	1	WDN BOX		CARTRIDGE, 152MM HEAT-T-MP M409A1	SK1	50.75	42.125	47.625	1213	58.9	12	4138/25A	2
D381	1320004910420	42.125	12.6875	13.9375		98	4.3	1	WDN BOX		CARTRIDGE, 152MM HEAT-T-MP M409A1	SK1	50.75	42.125	47.625	1213	58.9	12	4138/25A	2
D381	1320006101323	36.25			10.5	85	0	1	PA64		CARTRIDGE, 152MM HEAT-T-MP M409A2	WP1A	36.25	50.5	45.25	2096	47.9	20	4136	34
D381	1320009261877	42.125	12.6875	13.9375		98	4.3	1	WDN BOX		CARTRIDGE, 152MM HEAT-T-MP XM409E1	SK1	50.75	42.125	47.625	1209	58.9	12	4138/25A	2
D383	1320001809784	42.125	12.6875	13.9375		98	4.3	1	WDN BOX		CARTRIDGE, 152MM TP-T M411A1	SK1	50.75	42.125	47.625	1213	58.9	12	4138/25A	2
D383	1320003517905	42.125	12.6875	13.9375		98	4.3	1	WDN BOX		CARTRIDGE, 152MM TP-T M411A3	SK1	50.75	42.125	47.625	1213	58.9	12	4138/25A	2
D383	1320009356185	42.125	12.6875	13.9375		98	4.3	1	WDN BOX		CARTRIDGE, 152MM TP-T M411A1	SK1	50.75	42.125	47.625	1213	58.9	12	4138/25A	2
D383	1320010271147	36.25			10.5	85	0	1	PA64		CARTRIDGE, 152MM TP-T M411A3	WP1A	36.25	50.5	45.25	1854	47.9	20	4136	34
D390	1320004969733	39.5	12.5	13.25		98	3.8	1	WDN BOX		CARTRIDGE, 152MM CANISTER APERS M625	SK1	50	39.5	45.5	1233	52	12	4138/25B	2
D390	1320009264103	39.5	12.5	13.25		99	3.8	1	WDN BOX		CARTRIDGE, 152MM CANISTER APERS M625	SK1	50	39.5	45.5	1233	52	12	4138/25B	2
D394	1320002034309										PROJECTILE, 6 INCH 47 CAL AP MK35 RF/SF	MK3 MP	40	48	32.75	3450	36.4	25	WR-54/118	35
D394	1320005407041										PROJECTILE, 6 INCH 47 CAL AP MK35 MOD 8 RF/SF	MK3 MP	40	48	32.75	3450	36.4	25	WR-54/118	35
D394	1320005409634										PROJECTILE, 6 INCH 47 CAL AP MK35 RF/SF	MK3 MP	40	48	32.75	3450	36.4	25	WR-54/118	35
D394	1320005409661										PROJECTILE, 6 INCH 47 CAL AP MK35 RF/SF	MK3 MP	40	48	32.75	3450	36.4	25	WR-54/118	35
D394	1320005557741										PROJECTILE, 6 INCH 47 CAL AP MK35 RF/SF	MK3 MP	40	48	32.75	3450	36.4	25	WR-54/118	35
D394	1320005557743										PROJECTILE, 6 INCH 47 CAL AP MK35 RF/SF	MK3 MP	40	48	32.75	3450	36.4	25	WR-54/118	35
D403	1320000393391										PROJECTILE, 6 INCH 47 CAL ILLUMINATING MK41 MODS RF/SF	MK3 MP	40	48	37.625	3440	41.8	30	WR-54/8	36
D443	1320000393445										PROJECTILE, 6 INCH 47 CAL VT MK39 ALL MODS	MK3 MP	40	48	32.75	3224	36.4	30	WR-54/8	36
D443	1320000393454										PROJECTILE, 6 INCH 47 CAL VT MK39 ALL MODS	MK3 MP	40	48	32.75	3224	36.4	30	WR-54/8	36
D445	1320000833890	21	15	12		192	2.2	24	WDN BOX		CANISTER, SMOKE HC M1 F/155MM M116	WP1	42	48	35.5	3158	41.4	16	4116/50A	1
D445	1320010659832	21	15	12		192	2.2	24	WDN BOX		CANISTER, SMOKE HC M1 F/155MM M116	WP1	42	48	35.5	3158	41.4	16	4116/50A	1
D450	132000833891	21	15	12		111	2.2	24	WDN BOX		CANISTER, SMOKE HC M2 F/155MM M116	WP1	42	48	35.5	1862	41.4	16	4116/50A	1
D450	1320010166794	21	15	12		111	2.2	24	WDN BOX		CANISTER, SMOKE HC M2 F/155MM M116	WP1	42	48	35.5	1862	41.4	16	4116/50A	1
D450	1320010166795	21	15	12		111	2.2	24	WDN BOX		CANISTER, SMOKE HC M2 F/155MM M116	WP1	42	48	35.5	1862	41.4	16	4116/50A	1
D455	1320011225583	15.5938	11.8125	5.875		25	0.6	30	WDN BOX		CANISTER, SMOKE F/155MM	WP1A	35.5	46.75	52.5	1872	50.4	72	4116/50B	1
D470	1320012853066	27.5			7.125	28	0.8	2	PA106		CHG, PROPELLING 155MM M215	WP1	40.625	55	48.875	1886	63.2	60	4042A/23	37
D471	1320012850134	27.5			7.125	30	0.8	3	PA106		CHG, PROPELLING 155MM M216	WP1	40.625	55	48.875	2006	63.2	60	4042A/23	37
D480	1320000284369	42.6562			8.406	55	1.4	1	M16		CHG, PROPELLING 155MM M19	WP1A	42.625	49	36.25	1474	43			

DODIC	NSN	PACK LEN	PACK WID	PACK HGT	PACK DIA	PACK WGT	PACK CUBE	RDS/ PACK	PACKAGE TYPE	PACKAGE DRAWING #	NOMENCLATURE	BASE TYPE	UNIT LOAD LEN	UNIT LOAD WID	UNIT LOAD HGT	UNIT LOAD WGT	UNIT LOAD CUBE	PKG/ UNIT LOAD	UNIT LOAD DRAWING	SECT. 2 INDEX #
D480	1320000284369	42.6562			8.406	55	1.4	1	M16		CHG, PROPELLING 155MM M19	WP1	44.125	52.5	49	1870	65.7	30	4042A/4	38
D480	1320000284371	42.6562			8.406	55	1.4	1	M16		CHG, PROPELLING 155MM M19	WP1	44.125	52.5	49	1870	65.7	30	4042A/4	38
D480	1320000284371	42.6562			8.406	55	1.4	1	M16		CHG, PROPELLING 155MM M19	WP1	42.625	49	36.25	1474	43.8	24	4042A/4	38
D480	1320000284371	42.6562			8.406	55	1.4	1	M16		CHG, PROPELLING 155MM M19	WP1	44.125	50.5	48.75	1848	62.9	30	4042A/4	38
D481	1320000284525	42.6562			8.406	55	1.4	1	M16		CHG, PROPELLING 155MM DUMMY M100	WP1	44.125	52.5	49	1870	65.7	30	4042A/4	38
D481	1320000284525	42.6562			8.406	55	1.4	1	M16		CHG, PROPELLING 155MM DUMMY M100	WP1	42.625	49	36.25	1472	43.8	24	4042A/4	38
D481	1320000284525	42.6562			8.406	55	1.4	1	M16		CHG, PROPELLING 155MM DUMMY M100	WP1	44.125	50.5	48.75	1848	62.9	30	4042A/4	38
D493	1320009264107	19.125	10.625	14.75		66	1.7	40	WDN BOX		REDUCER, FLASH M1 F/175MM PROP CHG	WP1A	38.25	53.125	49.75	2055	58.5	30	4116/48	1
D500	1320009261893	29.875	8.125	8.875		69	1.2	1	WDN BOX		CARTRIDGE, 152MM DUMMY M596	SK1	48.75	29.875	50.125	2113	42.2	30	4138/25	2
D501	1320004348856										PROJECTILE, 155MM HE ADAM-L M692	WP	29.125	14.625	38.75	886	9.5	8	8837839	30
D501	1320012616043										PROJECTILE, 155MM HE ADAM-L M692	MP	29.125	14.625	38.75	886	9.5	8	12914619	39
D501	1320013650788										PROJECTILE, 155MM HE ADAM-L M692 ON FAPP	MP	29.125	14.625	38.75	881	9.5	8	12914619	39
D502	1320004348861										PROJECTILE, 155MM HE ADAM-S M731	WP	29.125	14.625	38.75	886	9.5	8	8837839	30
D502	1320012608719										PROJECTILE, 155MM HE ADAM-S M731	MP	29.125	14.625	38.75	886	9.5	8	12914619	39
D502	1320013652427										PROJECTILE, 155MM HE ADAM-S M731 ON FAPP	MP	29.125	14.625	39.375	881	9.7	8	12914619	39
D503	1320010506059										PROJECTILE, 155MM HE RAAM-L M718	WP	29.125	14.625	38.75	882	9.5	8	8837839	30
D503	1320012680387										PROJECTILE, 155MM HE RAAM-L M718	WP	29.125	14.625	38.75	882	9.5	8	8837839	30
D503	1320013629847										PROJECTILE, 155MM HE RAAM-L M718	MP	29.125	14.625	38.75	897	9.5	8	12914619	39
D505	1320009261940										PROJECTILE, 155MM ILLUMINATING M485	WP	27.125	13.625	32	797	6.8	8	7549275	40
D505	1320009269388										PROJECTILE, 155MM ILLUMINATING M485A1	WP	27.125	13.625	32	797	6.8	8	7549275	40
D505	1320009352091										PROJECTILE, 155MM ILLUMINATING M485A2	WP	27.125	13.625	32	797	6.8	8	7549275	40
D505	1320013644955										PROJECTILE, 155MM ILLUMINATING M485A2 ON FAPP	MP	29.125	14.625	31.125	789	7.4	8	12914619	39
D505	1320013652426										PROJECTILE, 155MM ILLUMINATING M485 ON FAPP	MP	29.125	14.625	31.125	789	7.4	8	12914619	39
D505	1320013652428										PROJECTILE, 155MM ILLUMINATING M485A1 ON FAPP	MP	29.125	14.625	31.125	789	7.4	8	12914619	39
D505	1320015147957										PROJECTILE, 155MM, ILLUMINATING, M485A2	WP	29.125	14.625	31.125	794	7.7	8	8837839	30
D506	1320009269276										PROJECTILE, 155MM SMOKE HC BE M116A1	WP	27.125	13.625	31.5	802	6.7	8	7549275	40
D509	1320010507966										PROJECTILE, 155MM HE RAAM-S M741	WP	29.125	14.625	39.375	882	9.7	8	8837839	30
D509	1320012680386										PROJECTILE, 155MM HE RAAM-S M741	WP	29.125	14.625	38.75	882	9.6	8	8837839	30
D509	1320013636469										PROJECTILE, 155MM HE RAAM-S M741	MP	29.125	14.625	38.75	897	9.5	8	12914619	39
D509	1320013680386										PROJECTILE, 155MM HE RAAM-S M741	WP	29.125	14.625	38.75	882	9.5	8	8837839	30
D510	1320010774279	61	11	11.25		206	4.4	1	MET CYL		PROJECTILE, 155MM HEAT M712 (COPPERHEAD)	WP	33	64	27.5	1397	33.6	6	4159	41
D511	1320010774278	61	11	11.25		183	4.4	1	MET CYL		PROJECTILE, 155MM TRAINING INERT M823 (COPPERHEAD)	WP	33	64	27.5	1259	33.6	6	4159	41
D513	1320010974872										PROJECTILE, 155MM PRACTICE M804	WP	27.125	13.625	31.6875	794	6.7	8	9362569	40
D513	1320013378862										PROJECTILE, 155MM PRACTICE M804A1	WP	27.125	13.625	31.6875	794	6.7	8	9362569	40
D513	1320013625289										PROJECTILE, 155MM PRACTICE M804	MP	29.125	14.625	31.25	808	7.7	8	12914619	39
D514	1320011507857										PROJECTILE, 155MM HE RAAM-S M741A1	WP	29.125	14.625	38.75	882	9.7	8	8837839	30
D514	1320012680385										PROJECTILE, 155MM HE RAAM-S M741A1	WP	29.125	14.625	38.75	882	9.7	8	8837839	30
D514	1320013631272										PROJECTILE, 155MM HE RAAM-S M741A1	MP	29.125	14.625	38.75	897	9.6	8	12914619	39
D515	1320011519849										PROJECTILE, 155MM HE RAAM-L M718E1	WP	29.125	14.625	38.75	882	9.7	8	8837839	30
D515	1320012692257										PROJECTILE, 155MM HE RAAM-L M718A1	WP	29.125	14.625	38.75	882	9.7	8	8837839	30
D515	1320013629845										PROJECTILE, 155MM HE RAAM-L M718A1	MP	29.125	14.625	38.75	896	9.6	8	12914619	39
D528	1320011402611										PROJECTILE, 155MM SMOKE WP M825	WP	29.125	14.625	38.75	882	9.6	8	8837839	39
D528	1320012805320										PROJECTILE, 155MM SMOKE WP M825A1	WP	29.125	14.625	38.75	882	9.6	8	8837839	39
D528	1320013644515										PROJECTILE, 155MM SMOKE WP M825	MP	29.125	14.625	39	887	9.6	8	12914619	30
D529	1320010860285										PROJECTILE, 155MM HE M795	WP	29.125	14.625	36.5	865	9	8	9329574	30
D529	1320014574059										PROJECTILE, 155MM HE M795 ON FAPP	MP	29.125	14.625	36.5	890	9	8	12914619	39
D529	1320014953813										PROJECTILE, 155MM HE M795 ON FAPP	MP	29.125	14.625	36.5	890	9	8	12914619	39
D529	1320014953842										PROJECTILE, 155MM HE M795	WP	29.125	14.625	36.5	865	9	8	9329574	30
D532	1320010339394	38			8.406	50	1.2	1	PA68		CHG, PROPELLING 155MM RB M203	WP1	41	50.5	40.375	1390	48.4	24	4042A/11	42
D532	1320010339394	38			8.406	50	1.2	1	PA68		CHG, PROPELLING 155MM RB M203	WP1A	38	48.5	36.75	1335	39.2	24	4042A/11	42
D532	1320010339394	38			8.406	50	1.2	1	PA68		CHG, PROPELLING 155MM RB M203	WP1	41	51.5	40.5	1405	49.5	24	4042A/11	42
D532	1320010673769	38			8.406	50	1.2	1	PA68		CHG, PROPELLING 155MM RB M203	WP1	41	51.5	40.5	1405	49.5	24	4042A/11	42
D532	1320010673769	38			8.406	50	1.2	1	PA68		CHG, PROPELLING 155MM RB M203	WP1A	38	48.5	36.75	1335	39.2	24	4042A/11	42
D532	1320010673769	38			8.406	50	1.2	1	PA68		CHG, PROPELLING 155MM RB M203	WP1	41	50.5	40.375	1390	48.4	24	4042A/11	42
D532	1320012028938	38	7.5	7.5	0	54	1.2	1	PA103	9349398	CHG, PROPELLING 155MM RB M203A1	WP1A	38	48	36.25	1370	38.3	24	4042A/22	43
D533	1320001436847	32.75			8.406	42	1.1	1	PA37		CHG, PROPELLING 155MM WB M119 W/O PRIMER	WP1A	35.75	52.5	49	1452	53.2	30	4042A/9	44
D533	1320001436847	32.75			8.406	42	1.1	1	PA37		CHG, PROPELLING 155MM WB M119 W/O PRIMER	WP1A	35.75	47.5	38.5	1160	37.8	24	4042A/9	44
D533	1320001436847	32.75			8.406	42	1.1	1	PA37		CHG, PROPELLING 155MM WB M119 W/O PRIMER	WP1A	35.75	51	48.75	1452	51.4	30	4042A/9	44
D533	1320009650554	32.75			8.406	42	1.1	1	PA37		CHG, PROPELLING 155MM WB M119 W/O PRIMER	WP1A	35.75	51	48.75	1429	51.4	30	4042A/9	44
D533	1320009650554	32.75			8.406	42	1.1	1	PA37		CHG, PROPELLING 155MM WB M119 W/O PRIMER	WP1A	35.75	52.5	49	1452	53.2	30	4042A/9	44
D533	1320009650554	32.75			8.406	42	1.1	1	PA37		CHG, PROPELLING 155MM WB M119 W/O PRIMER	WP1A	35.75	47.5	38.5	1160	37.8	24	4042A/9	44
D533	1320010514132	32.75			8.406	42	1.1	1	PA37		CHG, PROPELLING 155MM WB M119A1 W/O PRIMER	WP1A	35.75	52.5	49	1452	53.2	30	4042A/9	44
D533	1320010514132	32.75			8.406	42	1.1	1	PA37		CHG, PROPELLING 155MM WB M119A1 W/O PRIMER	WP1A	35.75	51	48.75	1429	51.4	30	4042A/9	44
D533	1320010514132	32.75			8.406	42	1.1	1	PA37		CHG, PROPELLING 155MM WB M119A1 W/O PRIMER	WP1A	35.75	47.5	38.5	1160	37.8	24	4042A/9	44
D533	1320010936856	32.75			8.406	42	1.1	1	PA37		CHG, PROPELLING 155MM RB M119A2 W/O PRIMER	WP1A	35.75	52.5	49	1452	53.2	30	4042A/9	44
D533	1320010936856	32.75			8.406	42	1.1	1	PA37		CHG, PROPELLING 155MM RB M119A2 W/O PRIMER	WP1A	35.75	47.5	38.5	1160	37.8	24	4042A/9	44
D533	1320010936856	32.75			8.406	42	1.1	1	PA37		CHG, PROPELLING 155MM RB M119A2 W/O PRIMER	WP1A	35.75	51	48.75	1429	51.4	30	4042A/9	44
D534	1320007679441	32.75			8.406	42	1.1	1	PA37		CH									

DODIC	NSN	PACK LEN	PACK WID	PACK HGT	PACK DIA	PACK WGT	PACK CUBE	RDS/ PACK	PACKAGE TYPE	PACKAGE DRAWING #	NOMENCLATURE	BASE TYPE	UNIT LOAD LEN	UNIT LOAD WID	UNIT LOAD HGT	UNIT LOAD WGT	UNIT LOAD CUBE	PKG/ UNIT LOAD	UNIT LOAD DRAWING	SECT. 2 INDEX #
D534	1320007679441	32.75			8.406	42	1.1	1	PA37		CHG, PROPELLING 155MM WB M119 W/PRIMER	WP1A	35.75	51	48.75	1429	51.4	30	4042A/9	44
D534	1320009650554	26.2812			8.406	31	0.8	1	M18		CHG, PROPELLING 155MM WB XM119E4 W/PRIMER	WP1	44	52.5625	49	1779	65.6	50	4042A/5	45
D534	1320009650554	26.2812			8.406	31	0.8	1	M18		CHG, PROPELLING 155MM WB XM119E4 W/PRIMER	WP1	42	52.5625	48.75	1792	62.3	50	4042A/5	45
D536	1320007751533	55			9.812	106	2.4	3	M460		CHG, PROPELLING 175MM GB M124	WP1	40	55	45.875	1878	58.4	16	4042A/7	46
D536	1320007751533	55			9.812	106	2.4	3	M460		CHG, PROPELLING 175MM GB M124	WP1	40	55	42.625	1907	54.3	16	4042A/7	46
D536	1320007751533	55			9.812	106	2.4	3	M460		CHG, PROPELLING 175MM GB M124	WP1	40.75	55	46.25	1882	60	16	4042A/7	46
D540	1320000284873	37.5			6.688	29	0.8	2	M14		CHG, PROPELLING 155MM GB M3	WP1A	37.5	49.5	36	1306	38.7	40	4042A/3	47
D540	1320000284873	37.5			6.688	28	0.8	2	M14		CHG, PROPELLING 155MM GB M3	WP1	40.5	48	47	1439	52.9	42	4042A/3	47
D540	1320000284873	37.5			6.688	29	0.8	2	M14		CHG, PROPELLING 155MM GB M3	WP1	40.5	49.5	47.125	1439	54.7	42	4042A/3	47
D540	1320000284876	37.5			6.688	29	0.8	2	M14		CHG, PROPELLING 155MM GB M3	WP1	40.5	49.5	47.125	1433	54.7	42	4042A/3	47
D540	1320000284876	37.5			6.688	29	0.8	2	M14		CHG, PROPELLING 155MM GB M3	WP1A	37.5	49.5	36	1304	38.7	40	4042A/3	47
D540	1320000284876	37.5			6.688	28	0.8	2	M14		CHG, PROPELLING 155MM GB M3	WP1	40.5	48	47	1439	52.9	42	4042A/3	47
D540	1320009351922	37.5			6.688	28	0.8	2	M14		CHG, PROPELLING 155MM GB M3A1	WP1	40.5	49.5	47.125	1439	54.7	42	4042A/3	47
D540	1320009351922	37.5			6.688	28	0.8	2	M14		CHG, PROPELLING 155MM GB M3A1	WP1A	37.5	49.5	36	1306	38.7	40	4042A/3	47
D540	1320009351922	37.5			6.688	28	0.8	2	M14		CHG, PROPELLING 155MM GB M3A1	WP1	40.5	48	47	1439	52.9	42	4042A/3	47
D541	1320000284878	27.5			7.781	30	0.8	1	M13		CHG, PROPELLING 155MM WB M4A1	WP1	40	55	44.875	1766	57.1	50	4042A/2	48
D541	1320000284878	27.5			7.781	30	0.8	1	M13		CHG, PROPELLING 155MM WB M4A1	WP1	41.5	55	45.875	1751	60.6	50	4042A/2	48
D541	1320000284879	27.5			7.781	30	0.8	1	M13		CHG, PROPELLING 155MM WB M4A2	WP1	40	55	44.875	1766	57.1	50	4042A/2	48
D541	1320000284879	27.5			7.781	30	0.8	1	M13		CHG, PROPELLING 155MM WB M4A2	WP1	41.5	55	45.875	1751	60.6	50	4042A/2	48
D541	1320009351923	27.5			7.781	30	0.8	1	M13		CHG, PROPELLING 155MM WB M4A2	WP1	40	55	44.875	1766	57.1	50	4042A/2	48
D541	1320009351923	27.5			7.781	30	0.8	1	M13		CHG, PROPELLING 155MM WB M4A2	WP1	41.5	55	45.875	1751	60.6	50	4042A/2	48
D542	1320000593536										PROJECTILE, 155MM GAS GB M121	WP	27.125	13.625	32	831	6.9	8	7549275	40
D542	1320001437009										PROJECTILE, 155MM GAS GB M121	WP	27.125	13.625	32	831	6.9	8	7549275	40
D542	1320005297346										PROJECTILE, 155MM GAS GB M121	WP	27.125	13.625	32	831	6.9	8	7549275	40
D542	1320005677909										PROJECTILE, 155MM GAS GB M121	WP	27.125	13.625	32	831	6.9	8	7549275	40
D542	1320008924186										PROJECTILE, 155MM GAS GB M121A1	WP	27.125	13.625	32	831	6.9	8	7549275	40
D544	1320000284889										PROJECTILE, 155MM HE M107	WP	27.125	13.625	32	797	6.7	8	9362569	40
D544	1320005297331										PROJECTILE, 155MM HE M107	WP	27.125	13.625	32	797	6.8	8	7549275	40
D544	1320007825532										PROJECTILE, 155MM HE M107	WP	27.125	13.625	32	797	6.8	8	7549275	40
D544	1320009269319										PROJECTILE, 155MM HE M107	WP	27.125	13.625	32	797	6.8	8	7549275	40
D544	1320012574222										PROJECTILE, 155MM HE M107 (COMP B)	WP	27.125	13.625	31.75	794	6.7	8	9362569	40
D544	1320013629846										PROJECTILE, 155MM HE M107	MP	29.125	14.625	31.25	825	7.7	8	12914619	39
D544	1320014605087										PROJECTILE, 155MM HE M107 (TNT)	WP	27.125	13.625	31.75	794	6.7	8	9362569	40
D544	1320014605091										PROJECTILE, 155MM HE M107 ON FAPP	MP	29.125	14.625	31.25	825	7.7	8	12914619	39
D545	1320000284352										PROJECTILE, 155MM ILLUMINATING M118	WP	27.125	13.625	32	862	6.8	8	7549275	40
D545	1320005297354										PROJECTILE, 155MM ILLUMINATING M118	WP	27.125	13.625	32	862	6.8	8	7549275	40
D547	1320000284887										PROJECTILE, 155MM SMOKE GREEN HC M116	WP	27.125	13.625	32	727	6.8	8	7549275	40
D547	1320005297343										PROJECTILE, 155MM SMOKE GREEN BE M116	WP	27.125	13.625	31.5	727	6.8	8	7549275	40
D547	1320009263958										PROJECTILE, 155MM SMOKE GREEN BE M116B1	WP	27.125	13.625	32	727	6.8	8	7549275	40
D548	1320000284884										PROJECTILE, 155MM SMOKE HC BE M116	WP	27.125	13.625	32	802	6.8	8	7549275	40
D548	1320005297342										PROJECTILE, 155MM SMOKE HC BE M116	WP	27.125	13.625	32	802	6.8	8	7549275	40
D548	1320007341100										PROJECTILE, 155MM SMOKE HC BE M116B1	WP	27.125	13.625	32	802	6.8	8	7549275	40
D549	1320000284885										PROJECTILE, 155MM SMOKE RED BE M116	WP	27.125	13.625	32	727	6.8	8	7549275	40
D549	1320005297584										PROJECTILE, 155MM SMOKE RED BE M116	WP	27.125	13.625	32	727	6.8	8	7549275	40
D549	1320009053655										PROJECTILE, 155MM SMOKE RED BE M116B1	WP	27.125	13.625	32	727	6.8	8	7549275	40
D550	1320000284883										PROJECTILE, 155MM SMOKE WP M110A2	WP	27.125	13.625	32	797	6.8	8	7549275	40
D550	1320001438383										PROJECTILE, 155MM SMOKE WP M110A2	WP	27.125	13.625	31	797	6.6	8	7549275	40
D550	1320003188138										PROJECTILE, 155MM SMOKE WP M110A1	WP	27.125	13.625	32	797	6.8	8	7549275	40
D550	1320005297339										PROJECTILE, 155MM SMOKE WP M110	WP	27.125	13.625	32	797	6.8	8	7549275	40
D550	1320007825828										PROJECTILE, 155MM SMOKE WP M110	WP	27.125	13.625	32	830	6.8	8	7549275	40
D550	1320009359143										PROJECTILE, 155MM SMOKE WP M110A1	WP	27.125	13.625	32	797	6.8	8	7549275	40
D550	1320013636470										PROJECTILE, 155MM SMOKE WP M110A2	MP	29.125	14.625	31.25	857	7.7	8	12914619	39
D550	1320013644516										PROJECTILE, 155MM SMOKE WP M110A1	MP	29.125	14.625	31.25	833	7.7	8	12914619	39
D550	1320013644954										PROJECTILE, 155MM SMOKE WP M110	MP	29.125	14.625	31.25	833	7.7	8	12914619	39
D550	1320014653955										PROJECTILE, 155MM SMOKE WP M110A2	WP	27.125	13.625	31.75	830	6.7	8	9362569	40
D551	1320000284886										PROJECTILE, 155MM SMOKE YELLOW BE M116	WP	27.125	13.625	32	727	6.8	8	7549275	40
D551	1320005297338										PROJECTILE, 155MM SMOKE YELLOW BE M116	WP	27.125	13.625	32	727	6.8	8	7549275	40
D551	1320009053656										PROJECTILE, 155MM SMOKE YELLOW BE M116B1	WP	27.125	13.625	32	727	6.8	8	7549275	40
D552	1320009356053	26.625	13	11.75		72	2.4	800	WDN BOX		REDUCER, FLASH M2 F/155MM PROPELLING CHARGE	WP1	40.5	53.25	40.75	1402	50.9	18	4116/48A	1
D561	1320002266147										PROJECTILE, 155MM HE APER ICM M449E1	WP	27.125	13.625	32	797	6.8	8	7549275	40
D561	1320006899325										PROJECTILE, 155MM HE APER ICM M449	WP	27.125	13.625	32	804	6.8	8	7549275	40
D561	1320008411057										PROJECTILE, 155MM HE APER ICM M449	WP	27.125	13.625</						

DODIC	NSN	PACK LEN	PACK WID	PACK HGT	PACK DIA	PACK WGT	PACK CUBE	RDS/ PACK	PACKAGE TYPE	PACKAGE DRAWING #	NOMENCLATURE	BASE TYPE	UNIT LOAD LEN	UNIT LOAD WID	UNIT LOAD HGT	UNIT LOAD WGT	UNIT LOAD CUBE	PKG/ UNIT LOAD	UNIT LOAD DRAWING	SECT. 2 INDEX #
D563	1320012608720										PROJECTILE, 155MM HE APER ICM M483A1	WP	29.125	14.625	38.75	874	9.6	8 8837839	30	
D563	1320023631273										PROJECTILE, 155MM HE APER ICM M483A1	MP	29.125	14.625	38.75	889	9.6	8 12914619	39	
D568	1320000593535										PROJECTILE, 155MM GAS VX M121A1	WP	27.125	13.625	32	831	6.8	8 7549275	40	
D568	1320007562888										PROJECTILE, 155MM GAS VX M121A1	WP	27.125	13.625	32	831	6.8	8 7549275	40	
D570	132000555126	34.8125	8.75	9.8125		93	1.7	1	WDN BOX		CARTRIDGE, 165MM HEP M123A1	WP1	43.75	49	40.375	2416	50.1	25 4116/46C	1	
D570	132000555126	34.8125	8.75	9.8125		93	1.8	1	WDN BOX		CARTRIDGE, 165MM HEP M123A1	SK1	43.75	34.8125	35.1875	1427	31	15 4138/27	2	
D571	1320005297344										PROJECTILE, 155MM HE M107	WP	27.5	13.625	26.7	797	6.8	8 7549275	40	
D571	1320015266441										PROJECTILE, 155MM HE M107	WP	27.125	13.625	31.75	794	6.7	8 9362569	40	
D579	1320009368278										PROJECTILE, 155MM HERA M549	WP	29.125	14.625	38.75	820	9.5	8 9327883	30	
D579	1320010476009										PROJECTILE, 155MM HERA M549A1	WP	29.125	14.625	38.75	815	9.5	8 9327883	30	
D579	1320014116099										PROJECTILE, 155MM HERA M549A1 ON FAPP	MP	29.125	14.625	38.75	815	9.5	8 12914619	39	
D579	1320014118115										PROJECTILE, 155MM HERA M549 ON FAPP	MP	29.125	14.625	38.75	815	9.5	8 12914619	39	
D585	1320006408702										PROJECTILE, 6 INCH 47 CAL VT MK34	MK3 MP	40	48	37.625	3440	41.8	30 WR-54/8	36	
D590	1320009264072	34.8125	8.75	9.8125		93	1.7	1	WDN BOX		CARTRIDGE, 165MM TP M623	WP1	43.75	49	40.375	2416	50.1	25 4116/46C	1	
D590	1320009264072	34.8125	8.75	9.8125		93	1.8	1	WDN BOX		CARTRIDGE, 165MM TP M623	SK1	43.75	34.8125	35.1875	1427	31	15 4138/27	2	
D624	1320010556119										PROJECTILE, 8 INCH HERA M650	WP	28.5	19.375	45.625	1253	14.6	6 9280132	49	
D625	1320000393708										PROJECTILE, 8 INCH 55 CAL AP MK21	MK3 MP	40	48	42.25	4334	46.9	12 WR-54/196	50	
D625	1320005407614										PROJECTILE, 8 INCH 55 CAL AP MK21	MK3 MP	40	48	42.25	4334	46.9	12 WR-54/196	50	
D625	1320005551235										PROJECTILE, 8 INCH 55 CAL AP MK21	MK3 MP	40	48	42.25	4334	46.9	12 WR-54/196	50	
D625	1320005557750										PROJECTILE, 8 INCH 55 CAL AP MK21	MK3 MP	40	48	42.25	4334	46.9	12 WR-54/196	50	
D625	1320005800059										PROJECTILE, 8 INCH 55 CAL AP MK21	MK3 MP	40	48	42.25	4334	46.9	12 WR-54/196	50	
D627	1320008788158										PROJECTILE, 8 INCH 55 CAL HC SPECIAL MK24 OR MK25	MK3 MP	40	48	41	4434	45.5	12 WR-54/195	50	
D627	1320008788158										PROJECTILE, 8 INCH 55 CAL HC SPECIAL MK24 OR MK25	MK3 MP	40	48.125	27.25	2849	30	10 WR-53/764	52	
D629	1320009894900										PROJECTILE, 8 INCH 55 CAL HC MK24 OR MK25	MK3 MP	40	48.125	27.25	2849	30	10 WR-53/764	52	
D629	1320009894900										PROJECTILE, 8 INCH 55 CAL HC MK24 OR MK25	MK3 MP	40	48	41	4434	45.5	12 WR-54/195	50	
D630	1320001033725										PROJECTILE, 8 INCH 55 CAL HE-CVT MK24/MK25	MK3 MP	40	48.125	27.25	2849	30.3	10 WR-53/764	52	
D630	1320001033725										PROJECTILE, 8 INCH 55 CAL HE-CVT MK24/MK25	MK3 MP	40	48	41	4434	45.5	16 WR-54/195	50	
D630	1320001339482										PROJECTILE, 8 INCH 55 CAL HE-CVT MK24/MK25	MK3 MP	40	48	41	4434	45.5	12 WR-54/195	50	
D630	1320001339482										PROJECTILE, 8 INCH 55 CAL HE-CVT MK24/MK25	MK3 MP	40	48.125	27.25	2849	30.3	10 WR-53/764	52	
D631	1320000393680										PROJECTILE, 8 INCH 55 CAL HC W/BDF MK24/MK25	MK3 MP	40	48	41	4434	45.5	12 WR-54/195	50	
D631	1320000393680										PROJECTILE, 8 INCH 55 CAL HC W/BDF MK24/MK25	MK3 MP	40	48.125	27.25	2849	30.3	10 WR-53/764	52	
D633	1320005800037										PROJECTILE, 8 INCH 55 CAL AP MK19	MK3 MP	40	48	42.75	4334	46.9	12 WR-54/196	50	
D633	1320005800061										PROJECTILE, 8 INCH 55 CAL AP MK19	MK3 MP	40	48	42.75	4334	46.9	12 WR-54/196	50	
D633	1320005800066										PROJECTILE, 8 INCH 55 CAL AP MK19	MK3 MP	40	48	42.75	4334	46.9	12 WR-54/196	50	
D633	1320005800066										PROJECTILE, 8 INCH 55 CAL AP MK19	MK3 MP	40	48	42.75	4334	46.9	12 WR-54/196	50	
D634	1320004236576										PROJECTILE, 8 INCH 55 CAL HC MK24/MK25	MK3 MP	40	48	41	4434	45.5	12 WR-54/195	50	
D635	1320000393556										PROJECTILE, 8 INCH 55 CAL COMMON MK14	MK3 MP	40	48	41	4434	46.9	12 WR-54/195	50	
D635	1320000393561										PROJECTILE, 8 INCH 55 CAL COMMON MK17	MK3 MP	40	48	41	4434	46.9	12 WR-54/195	50	
D635	1320000393562										PROJECTILE, 8 INCH 55 CAL COMMON MK17	MK3 MP	40	48	41	4434	46.9	12 WR-54/195	50	
D635	1320000393564										PROJECTILE, 8 INCH 55 CAL COMMON MK17	MK3 MP	40	48	41	4434	46.9	12 WR-54/195	50	
D635	1320000393568										PROJECTILE, 8 INCH 55 CAL COMMON MK17	MK3 MP	40	48	41	4434	46.9	12 WR-54/195	50	
D635	1320005409161										PROJECTILE, 8 INCH 55 CAL COMMON MK15	MK3 MP	40	48	41	4434	46.9	12 WR-54/195	50	
D637	1320000393759										PROJECTILE, 8 INCH BL-P/T MK21	MK3 MP	40	48	41	4334	46.9	12 WR-54/196	50	
D637	1320000393762										PROJECTILE, 8 INCH BL-P/T MK22	MK3 MP	40	48	41	4334	46.9	12 WR-54/196	50	
D637	1320000393777										PROJECTILE, 8 INCH BL-P/T MK27	MK3 MP	40	48	41	4334	46.9	12 WR-54/196	50	
D643	1320000393697										PROJECTILE, 8 INCH BL-P/T MK16	MK3 MP	40	48	41	4434	46.9	12 WR-54/195	50	
D643	1320000393748										PROJECTILE, 8 INCH BL-P/T MK18	MK3 MP	40	48	41	4434	46.9	12 WR-54/195	50	
D649	1320006047511										PROJECTILE, 8 INCH VX-2 XM736	WP	28.5	19.5	39.5	1253	12.5	6 7548346	53	
D651	1320009298389										PROJECTILE, 8 INCH HE DPICM M509	WP	28.5	19.5	39.5	1253	12.5	6 7548346	53	
D651	1320010736010										PROJECTILE, 8 INCH HE DPICM M509A1	WP	31.625	22.625	48.125	1288	15.1	6 9229038	54	
D661	1320010142451	37.75			10.469	77	1.9	1	PA66		CHG, PROPELLING 8 INCH WB M188	WP1	40.75	53.5	49	1738	61.8	20 4042A/10	55	
D661	1320010142451	37.75			10.469	77	1.9	1	PA66		CHG, PROPELLING 8 INCH WB M188	WP1A	40.75	52.5	48.5	1736	60	20 4042A/10	55	
D661	1320010142451	37.75			10.469	77	1.9	1	PA66		CHG, PROPELLING 8 INCH WB M188	WP1A	37.75	50.5	35.625	1275	39.3	15 4042A/10	55	
D662	1320010704485	37.75			10.469	77	1.9	1	PA66		CHG, PROPELLING 8 INCH WB M188A1	WP1	40.75	53.5	49	1738	61.8	20 4042A/10	55	
D662	1320010704485	37.75			10.469	77	1.9	1	PA66		CHG, PROPELLING 8 INCH WB M188A1	WP1	40.75	52.5	48.5	1736	60	20 4042A/10	55	
D662	1320010704485	37.75			10.469	77	1.9	1	PA66		CHG, PROPELLING 8 INCH WB M188A1	WP1A	37.75	50.5	35.625	1275	39.3	15 4042A/10	55	
D662	1320010704486	37.75			10.469	77	1.9	1	PA66		CHG, PROPELLING 8 INCH WB M188A1	WP1	40.75	52.5	48.5	1736	60	20 4042A/10	55	
D662	1320010704486	37.75			10.469	77	1.9	1	PA66		CHG, PROPELLING 8 INCH WB M188A1	WP1	40.75	53.5	49	1738	61.8	20 4042A/10	55	
D662	1320010704486	37.75			10.469	77	1.9	1	PA66		CHG, PROPELLING 8 INCH WB M188A1	WP1A	37.75	50.5	35.625	1275	39.3	15 4042A/10	55	
D662	1320012317231	36.625	9.25	9.25		72	1.4	1	PA92	9331197	CHG, PROPELLING 8 INCH WB M188A1	WP1A	36.625	48.75	52.5	1955	54.2	25 4042A/14	56	
D674	1320006287741	29.2812			9.812	52	1.3	1	M19		CHG, PROPELLING 8 INCH M80/T94	WP1	40.625	58.5	46.25	1872	63.6	32 4042A/6	57	
D674	1320006287741	29.2812			9.812	52	1.3	1	M19		CHG, PROPELLING 8 INCH M80/T94	WP1	40	58.5	45.875	1873	62.1	32 4042A/6	57	
D675	1320000284374	26.2812			8.406	31	0.8	1	M18		CHG, PROPELLING 8 INCH GB M1	WP1	44	52.5625	49	1779	65.6	50 4042A/5	45	
D675	1320000284374	26.2812			8.406	31	0.8	1	M18		CHG, PROPELLING 8 INCH GB M1	WP1	42	52.5625	48.75	1792	62.3	50 4042A/5	45	
D675	1320005420132	26.2812			8.406	31	0.8	1	M18		CHG, PROPELLING 8 INCH GB M1	WP1	44	52.5625	49	1779	65.6	50 4042A/5	45	
D675	1320005420132	26.2812			8.406	31	0.8	1	M18		CHG, PROPELLING 8 INCH GB M1	WP1	42	52.5625	48.75	1792	62.3	50 4042A/5	45	
D676	1320000284375	29.2812			9.812	52	1.3	1	M19		CHG, PROPELLING 8 INCH WB M2	WP1	40	58.5	45.875	1873	62.1	32 4042A/6	57	
D676	1320000284375	29.2812			9.812	52	1.3	1	M19		CHG, PROPELLING 8 INCH WB M2	WP1	40.625	58.5	46.25	1872	63.6	32 4042A/6	57	

DODIC	NSN	PACK LEN	PACK WID	PACK HGT	PACK DIA	PACK WGT	PACK CUBE	RDS/ PACK	PACKAGE TYPE	PACKAGE DRAWING #	NOMENCLATURE	BASE TYPE	UNIT LOAD LEN	UNIT LOAD WID	UNIT LOAD HGT	UNIT LOAD WGT	UNIT LOAD CUBE	PKG/ UNIT LOAD	UNIT LOAD DRAWING	SECT. 2 INDEX #
D676	1320000284377	55.375			10.5	121	2.7	2	M10		CHG, PROPELLING 8 INCH WB M2	WP1	43	55.375	49	2127	67.5	16	4042A/1	58
D676	1320000284377	55.375			10.5	121	2.7	2	M10		CHG, PROPELLING 8 INCH WB M2	WP1	42	55.375	48.625	2122	65.4	16	4042A/1	58
D676	1320000284377	55.375			10.5	121	2.7	2	M10		CHG, PROPELLING 8 INCH WB M2	WP1	40.75	55.375	35.5	1636	46.4	12	4042A/1	58
D676	1320000284378	29.2812			9.812	52	1.3	1	M19		CHG, PROPELLING 8 INCH WB M2	WP1	40	58.5	45.875	1873	62.1	32	4042A/6	57
D676	1320000284378	29.2812			9.812	52	1.3	1	M19		CHG, PROPELLING 8 INCH WB M2	WP1	40.625	58.5	46.25	1872	63.6	32	4042A/6	57
D676	1320001138006	55			9.812	106	2.4	2	M460		CHG, PROPELLING 8 INCH WB M2	WP1	40	55	42.625	1907	54.3	16	4042A/7	46
D676	1320001138006	55			9.812	106	2.4	2	M460		CHG, PROPELLING 8 INCH WB M2	WP1	40	55	45.875	1878	58.4	16	4042A/7	46
D676	1320001138006	55			9.812	106	2.4	2	M460		CHG, PROPELLING 8 INCH WB M2	WP1	40.75	55	46.25	1882	60	16	4042A/7	46
D677	1320000284527	29.2812			9.812	52	1.3	1	M19		CHG, PROPELLING 8 INCH DUMMY M4	WP1	40.625	58.5	46.25	1872	63.6	32	4042A/6	57
D677	1320000284527	29.2812			9.812	52	1.3	1	M19		CHG, PROPELLING 8 INCH DUMMY M4	WP1	40	58.5	45.875	1873	62.1	32	4042A/6	57
D680	1320005420728										PROJECTILE, 8 INCH HE M106	WP	28.5	19.5	39.5	1256	12.5	6	7548346	53
D680	1320012577961										PROJECTILE, 8 INCH HE M106	WP	28.375	19.25	38.7	1253	12.4	6	9341621	53
D681	1320009269303	18.875	9.5	15		66	1.6	40	WDN BOX		REDUCER, FLASH M3 F/8 INCH PROP CHG	WP1A	37.75	47.5	50.5	2055	52.4	30	4116/48B	1
D684	1320009869731										PROJECTILE, 8 INCH HE M404	WP	28.375	19.25	39.5	1253	12.5	6	7548346	53
D695	1320007636878										PROJECTILE, 8 INCH, GAS VX, M426	WP	28.375	19.25	39.5	1253	12.5	6	7548346	53
D695	1320008924306										PROJECTILE, 8 INCH GAS VX M426	WP	28.375	19.25	39.5	1253	12.5	6	7548346	53
D696	1320007636879										PROJECTILE, 8 INCH, GAS GB, M426	WP	28.375	19.25	39.5	1253	12.5	6	7548346	53
D696	1320008924305										PROJECTILE, 8 INCH GAS GB M426	WP	28.375	19.25	39.5	1253	12.5	6	7548346	53
D862	1320000394031										PROJECTILE, 16 INCH AP MK8 MOD 6	MK85CR	72	24.5	26.5	2792	27	1	WR-54/145	59
D862	1320000394032										PROJECTILE, 16 INCH AP MK8 MOD 6 THRU 8	MK85CR	72	24.5	26.5	2792	27	1	WR-54/145	59
D862	1320000394033										PROJECTILE, 16 INCH AP MK8 MOD 6	MK85CR	72	24.5	26.5	2792	27	1	WR-54/145	59
D862	1320000394034										PROJECTILE, 16 INCH AP MK8 MOD 6	MK85CR	72	24.5	26.5	2792	27	1	WR-54/145	59
D862	1320000394035										PROJECTILE, 16 INCH AP MK8 MOD 6	MK85CR	72	24.5	26.5	2792	27	1	WR-54/145	59
D862	1320011660830										PROJECTILE, 16 INCH AP MK8 MOD 6	MK85CR	72	24.5	26.5	2792	27	1	WR-54/145	59
D864	1320012311697										PROJECTILE, 155MM DPICM-ER M864	WP	29.125	14.625	38.875	874	9.6	8	8837839	30
D864	1320013520367										PROJECTILE, 155MM DPICM-ER M864 METAL PALLET	MP	29.125	14.625	38.75	885	9.5	8	12914619	39
D864	1320014061160										PROJECTILE, 155MM DPICM-ER M864 RELOAD	WP	29.125	14.625	38.875	874	9.6	8	8837839	30
D864	1320014061161										PROJECTILE, 155MM DPICM-ER M864 RELOAD	MP	29.125	14.625	38.75	885	9.5	8	12914619	39
D872	1320000394008										PROJECTILE, 16 INCH AP MK8 MOD 1 THRU 5	MK85CR	72	24.5	26.5	2792	27	1	WR-54/145	59
D872	1320000394012										PROJECTILE, 16 INCH AP MK8 MOD 1 THRU 5	MK85CR	72	24.5	26.5	2792	27	1	WR-54/145	59
D872	1320006408267										PROJECTILE, 16 INCH AP MK8 MOD 1 THRU 5	MK85CR	72	24.5	26.5	2792	27	1	WR-54/145	59
D872	1320006408270										PROJECTILE, 16 INCH AP MK8 MOD 1 THRU 5	MK85CR	72	24.5	26.5	2792	27	1	WR-54/145	59
D872	1320006408710										PROJECTILE, 16 INCH AP MK8 MOD 1 THRU 5	MK85CR	72	24.5	26.5	2792	27	1	WR-54/145	59
D874	1320011692570										PROJECTILE, 16 INCH HE-ET/PO MK145 MOD 0	MK85CR	72	24.5	26.5	2792	27	1	WR-54/145	59
D874	1320011698773										PROJECTILE, 16 INCH HE-ET/PO MK145 MOD 0	MK85CR	72	24.5	26.5	2792	27	1	WR-54/145	59
D877	1320011687376										PROJECTILE, 16 INCH HC/HE CVT MK143	MK85CR	72	24.5	26.5	2792	27	1	WR-54/145	59
D878	1320000393931										PROJECTILE, 16 INCH HC/HE MK13	MK3 MP	69	41	26	4143	42.5	2	WR-54/149	60
D879	1320000393924										PROJECTILE, 16 INCH HC SPECIAL MK13	MK3 MP	69	41	26	4143	42.5	2	WR-54/149	60
D881	1320011379778										PROJECTILE, 16 INCH BL-P/T MK9	MK3 MP	69	41	26	4143	42.5	2	WR-54/149	60
D882	1320009970325										PROJECTILE, 16 INCH HC MK13	MK3 MP	69	41	26	4143	42.5	2	WR-54/149	60
DA12	1320014544603	31.375	7.5	7.5		38	1.1	4	PA161	12972583	CHARGE, PROPELING MODULAR ARTILLERY CHARGE SYSTEM (MACS) M231	SWP	31.375	46.5	44.375	1301	37.5	30	4326/50	157
DA13	1320014574063	38	7.5	7.5		54.5	1.3	5	PA103A2	12961111	CHARGE, PROPELLING MODULAR ARTILLERY CHARGE SYSTEM (MACS) M232	SWP	38	46.5	43.25	1820	44.3	30	4326/50A	162
DA13	1320015266523	38	7.5	7.5		54.5	1.3	5	PA103A2	12961111	CHARGE, PROPELLING MODULAR ARTILLERY CHARGE SYSTEM (MACS) M232A1	SWP	38	46.5	43.25	1820	44.3	30	4326/50A	162
DA23	1320014854372	31.375	7.5	7.5		38	1.1	4	PA161	12972583	CHARGE, PROPELLING MODULAR ARTILLERY CHARGE SYSTEM (MACS) DUMMY M241	SWP	31.375	46.5	44.375	1301	37.5	30	4326/50	157
DA24	1320014854370	38	7.5	7.5		54.5	1.3	5	PA103A2	12961111	CHARGE, PROPELLING MODULAR ARTILLERY CHARGE SYSTEM (MACS) DUMMY M242	SWP	38	46.5	43.25	1820	44.3	30	4326/50A	162
DA39	1320015342535	44.5	9.25	9.25		154	2.2	1	PA179	12999863	PROJECTILE, 155MM ER PRECISION GUIDED UNITARY HE M982 EXCALIBUR	MP	33.5625	44.5	36.625	1631	31.7	9	4231/55	12
DA44	1320015504796										PROJECTILE, 155MM DP M864A1	WP	29.125	14.625	38.875	874	9.6	8	8837839	30
DA45	1320015521850	44.5	9.25	9.25		154	2.2	1	PA179	12999863	PROJECTILE, 155MM ER PRECISION GUIDED UNITARY HE M982 EXCALIBUR	MP	33.5625	44.5	36.625	1631	31.7	9	4231/55	12
DA46	1320015567373	44.5	9.25	9.25		154	2.2	1	PA179	12999863	DUMMY PROJECTILE, 155MM EXCALIBUR TRAINING AID (LIGHT WEIGHT)	MP	33.5625	44.5	36.625	1631	31.7	9	4231/55	12
DA47	1320015599526	44.5	9.25	9.25		154	2.2	1	PA179	12999863	DUMMY PROJECTILE, 155MM EXCALIBUR TRAINING AID (FULL WEIGHT)	MP	33.5625	44.5	36.625	1631	31.7	9	4231/55	12
DA49	1320015624745										PROJECTILE, 155MM XM1066	WP	29.125	14.625	31.125	784	7.7	8	8837839	30
DA54	1320015819633										PROJECTILE, 155MM HE M795 (IMX-101)	WP	29.125	14.625	37.44	865	9	8	9329574	30
DA54	1320016172682										PROJECTILE, 155MM HE M795 (IMX-101)/MELT CASTING IMX-104)	WP	29.125	14.625	37.44	865	9	8	9329574	30
DA55	1320015831139	22.8125	12.625	12.3125		79.7	2.1	150	WDN BOX	8861646-3	CHARGE, SUPPLEMENTARY PBXN-9	WP1	45.625	50.5	42.5	2009	56.7	24	4116/44H	1
DA58	1320016116762	44.5	9.25	9.25		156	2.2	1	PA179	12999863	PROJECTILE, 155MM ER PRECISION GUIDED UNITARY HE M982A1 EXCALIBUR	MP	33.5625	44.5	36.625	1649	31.7	9	4231/55	12
DA67	1320016598988	38	7.5	7.5		54.5	1.3	5	PA103A2	12961111	CHARGE, PROPELLING MODULAR ARTILLERY CHARGE SYSTEM (MACS) M232A2	SWP	38	46.5	43.25	1820	44.3	30	4326/50A	162
DA71	1320016748814	44.5	9.25	9.25		154	2.2	1	PA179	12999863	PROJECTILE, 155MM ER PRECISION GUIDED UNITARY HE M982A1 EXCALIBUR	MP	33.5625	44.5	36.625	1631	31.7	9	4231/55	12
DW08	1320012065921										PROJECTILE, 5 INCH 54 CAL HE	MK3 MP	40	48	33.75	3727	37.5	48	6214188	31
DWBS	1375013875748	17.375	11.5	8.5		26	11.7	12	WBD BOX		CHARGE, DIVERSIONARY MK141 MOD 0	WP1A	35	46	39.5	911	36.8	32	4116/120CC	1

DODIC	NSN	PACK LEN	PACK WID	PACK HGT	PACK DIA	PACK WGT	PACK CUBE	RDS/ PACK	PACKAGE TYPE	PACKAGE DRAWING #	NOMENCLATURE	BASE TYPE	UNIT LOAD LEN	UNIT LOAD WID	UNIT LOAD HGT	UNIT LOAD WGT	UNIT LOAD CUBE	PKG/ UNIT LOAD	UNIT LOAD DRAWING	SECT. 2 INDEX #
E485	1325010640853										BOMB, GP 500 LB MK82 MOD 1 TRITONAL	MK9 MP	67.125	33.75	27	3228	35.4	6	WR-54/31	69
E485	1325010640853										BOMB, GP 500 LB MK82 MOD 1 TRITONAL	MHU149	61.75	35.5	33.5	3138	42.5	6	TPO 01-006-5657	116
E486	1325004657285										BOMB, EMPTY 500 LB (NOMINAL)	WP	61.75	33.25	31.5	1978	37.4	1	TPO 1325-294-4152	70
E487	1325004091726										BOMB, GP 500 LB MK82 MOD 1 H-6	WP	61.75	33.25	31.5	3096	37.4	6	TPO 1325-294-4152	70
E487	1325004091726										BOMB, GP 500 LB MK82 MOD 1 H-6	MK9 MP	67.25	33.75	27	3138	35.4	6	WR-54/31	69
E488	1325004091727										BOMB, GP 500 LB MK82 MOD 2 THERMAL PROTECTED	MHU122	61.375	35	29	3089	36.1	6	MS1323/239	68
E489	1325003210876										BOMB, INERT FILLED 500 LB	MHU122	61.375	35	29	3089	36.1	6	MS1323/239	68
E495	1325011204014										BOMB, GP 500 LB MK82	MK9 MP	61.875	33.75	27	3228	32.5	6	WR-54/31	69
E496	1325011204013										BOMB, GP 500 LB MK82 MOD 3 H-6	MK9 MP	61.875	33.75	27	3137	32.5	6	WR-54/31	69
E497	1325011211989										BOMB, GP 500 LB MK82	MHU122	61.375	35	29	3089	36.1	6	MS1323/239	68
E498	1325011211988										BOMB, GP 500 LB MK82 MOD 4	MHU122	61.375	35	29	3089	36.1	6	MS1323/239	68
E506	1325001136003										BOMB, GP 1000 LB MK83 MOD 4	MK11MP	74.5	43.5	19	2934	35.5	3	WR-54/243	71
E507	1325007106766										BOMB, GP 1000 LB MK83 MOD 0/2/3	MK11MP	74.5	43.5	19	2934	35.5	3	WR-54/243	71
E508	1325001024261										BOMB, GP 1000 LB MK83 MOD 4	MK11MP	74.5	43.5	19	2934	35.5	3	WR-54/243	71
E509	1325004647369										BOMB, GP 1000 LB MK83 MOD 4	MK11MP	74.5	43.5	19	2934	35.5	3	WR-54/243	71
E510	1325000079749										BOMB, GP 1000 LB MK83 MOD 5	MK11MP	74.5	43.5	19.5	2976	36.6	3	WR-54/243	71
E511	1325001281066										BOMB, INERT FILLED 1000 LB	MK11MP	74.5	43.5	19	2934	35.5	3	WR-54/243	71
E512	1325006282653										BOMB, INERT FILLED 1000 LB	MK11MP	74.5	43.5	19	2934	35.5	3	WR-54/243	71
E513	1325011806857										BOMB, GP 1000 LB MK83 MOD 5A THERMAL PROTECTION REMOVED	MK11MP	74.25	43.5	19.5	2976	36.4	3	WR-54/243	71
E514	1325011793661										BOMB, INERT FILLED 1000 LB	MK11MP	74.25	43.5	19.5	2976	36.4	3	WR-54/243	71
E515	1325012144504										BOMB, GP 1000 LB BLU-110/B	MK11MP	74.5	43.5	19	2935	35.5	3	WR-54/243	71
E515	1325012144504										BOMB, GP 1000 LB BLU-110/B	MHU187	74	46	21	2950	41.4	3	MS1323/308	67
E530	1325000285273										BOMB, GP 3000 LB T55/M118 W/LUG	WP	99.125	24	31.5	3100	43.4	1	TPO0285273	124
E531	1325000285274										BOMB, GP 3000 LB T55/M118 W/O LUG	WP	99.125	24	31.5	3100	43.4	1	TPO0285273	124
E531	1325009359135										BOMB, GP 3000 LB M118 W/O LUG	WP	99.125	24	31.5	3100	43.4	1	TPO0285273	124
E793	1325001690472							CNU-79			DISPENSER AND BOMB, CBU-7A(T-1)/A		116	31.375	31.25	1610	65.8	1	9256640	92
E794	1325012395396							CNU-319			DISPENSER AND BOMB, AIRCRAFT CBU-MK20 MOD 7 PRACTICE		102.125	36.125	19.75	1649	42.2	2	1248AS100	91
E797	1325012404451							CNU-238			DISPENSER AND BOMB, AIRCRAFT CBU-59		104	38	26	2156	59.5	2	930AS100	90
E797	1325012404452							CNU-120			DISPENSER AND BOMB, AIRCRAFT CBU-59		102.531	23.1563	25.9688	1143	35.7	1	1569340	85
E797	1325012404453							MK427-0			DISPENSER AND BOMB, AIRCRAFT CBU-59A/B		102.531	23.1563	25.9688	1143	35.7	1	1569339	96
E797	1325012404453							MK427-1			DISPENSER AND BOMB, AIRCRAFT CBU-59A/B		103	23.625	26.25	1179	37	1	945AS100	96
E798	1325010740592							CNU-319			DISPENSER AND BOMB, AIRCRAFT CBU-MK20 MOD 6 PRACTICE		102.125	36.125	19.75	1513	42.2	2	1248AS100	91
E799	1325010749982							CNU-319			DISPENSER AND BOMB, DUMMY MK7 MOD 6		102.125	36.125	19.75	1513	42.2	2	1248AS100	91
E800	1325001348356							CNU-126			DISPENSER AND BOMB, AIRCRAFT CBU-52B/B		98.5	26.75	25.5	2020	53.4	2	69J4800	86
E800	1325001348357							CNU-180			DISPENSER AND BOMB, AIRCRAFT CBU-52B/B		91	36.75	26.75	1964	51.8	2	706059	88
E800	1325003034668							CNU-92A			DISPENSER AND BOMB, AIRCRAFT CBU-52B/B		95.125	23.125	24.9375	1170	31.7	1	9211645	93
E800	1325004772053							CNU-147			DISPENSER AND BOMB, AIRCRAFT CBU-52B/B		89.375	39	27	1787	54.5	2	TPO1099381	87
E800	1325012945227							M468			DISPENSER AND BOMB, AIRCRAFT CBU-52B/B		136	30	28.5	1282	67.3	2	8846908	94
E803	1325001823328							CNU-126			DISPENSER AND BOMB, AIRCRAFT CBU-58/B		98.5	26.75	25.5	2120	53.4	2	69J4800	86
E803	1325001933186							CNU-147			DISPENSER AND BOMB, AIRCRAFT CBU-58/B		89.375	39	27	1855	54.5	2	TPO1099381	87
E803	1325004772058							CNU-180			DISPENSER AND BOMB, AIRCRAFT CBU-58/B		91	36.75	26.75	2064	51.8	2	706059	88
E803	1325010384733							CNU-180B			DISPENSER AND BOMB, AIRCRAFT CBU-58A/B		90.5	36.5	25.5	2091	48.8	2	706059	88
E803	1325012907554							CNU-92A			DISPENSER AND BOMB, AIRCRAFT CBU-58/B		95.125	23.125	24.9375	1110	31.7	1	9211645	93
E803	1325012914273							CNU-92A			DISPENSER AND BOMB, AIRCRAFT CBU-58A/B		95.125	23.125	24.9375	1110	31.7	1	9211645	93
E803	1325012945226							M468			DISPENSER AND BOMB, AIRCRAFT CBU-58A/B		136	30	28.5	1282	67.3	2	8846908	94
E803	1325012945228							M468			DISPENSER AND BOMB, AIRCRAFT CBU-58/B		136	30	28.5	1282	67.3	2	8846908	94
E805	1325004788965							CNU-80			DISPENSER AND BOMB, CBU-14A(T-2)/A		94.375	34.25	24.125	1068	45.2	2	9205473	119
E807	1325001514371							CNU-238			DISPENSER AND BOMB, AIRCRAFT CBU-55/B		104	38	26	2156	59.5	2	930AS100	90
E808	1325002556309							MK427-0			DISPENSER AND BOMB, AIRCRAFT DUMMY MK20 MOD 3		102.531	23.1563	25.9688	915	35.7	1	1569339	96
E808	1325010610597							CNU-238			DISPENSER AND BOMB, AIRCRAFT DUMMY MK20 MOD 3		104	38	26	1657	59.5	2	930AS100	90
E808	1325010813376							CNU-319			DISPENSER AND BOMB, AIRCRAFT DUMMY MK20 MOD 3		102.125	36.125	19.75	1513	42.2	2	1248AS100	91
E809	1325002556306							MK427-0			DISPENSER AND BOMB, AIRCRAFT PRAC MK20 MOD 3		102.531	23.1563	25.9688	915	35.7	1	1569339	96
E809	1325010823378							CNU-319			DISPENSER AND BOMB, AIRCRAFT MK20 MOD 3 PRACTICE		102.125	36.125	19.75	1497	42.2	2	1248AS100	91
E809	1325011531804							CNU-238			DISPENSER AND BOMB, AIRCRAFT PRAC MK20 MOD 3		104	38	26	1657	59.5	2	930AS100	90
E810	1325001602794							CNU-126			DISPENSER AND BOMB, CBU-70/B		98.5	26.75	25.5	1920	53.4	2	69J4800	86
E811	1325005534790							CNU-218			DISPENSER AND BOMB, AIRCRAFT CBU-75A/B		92.5	42.5	27.75	1665	63.1	2	755373	89
E811	1325010346017							CNU-218			DISPENSER AND BOMB, AIRCRAFT CBU-75B/B		92.5	42.5	27.75	1665	63.1	2	755373	89
E811	1325010447148							CNU-218			DISPENSER AND BOMB, AIRCRAFT CBU-75A/B		92.5	42.5	27.75	1665	63.1	2	755373	89
E819	1325000062082							MK427-0			DISPENSER AND BOMB, AIRCRAFT MK20 MOD 4		102.531	23.1563	25.9688	915	35.7	1	1569339	96
E820	1325000085339							MK427-0			DISPENSER AND BOMB, AIRCRAFT CBU-59/B		102.531	23.1563	25.9688	1143	35.7	1	1569339	96
E820	1325010113844							MK427-0			DISPENSER AND BOMB, AIRCRAFT CBU-59/B		102.531	23.1563	25.9688	1143	35.7	1	1569339	96
E820	1325010113846							MK427-1			DISPENSER AND BOMB, AIRCRAFT CBU-59/B		103	23.625	26.25	1179	37	1	945AS100	96
E825	132500336818							MK427-0			DISPENSER AND BOMB, AIRCRAFT DUMMY MK20 MOD 4		102.531	23.1563	25.9688					

DODIC	NSN	PACK LEN	PACK WID	PACK HGT	PACK DIA	PACK WGT	PACK CUBE	RDS/ PACK	PACKAGE TYPE	PACKAGE DRAWING #	NOMENCLATURE	BASE TYPE	UNIT LOAD LEN	UNIT LOAD WID	UNIT LOAD HGT	UNIT LOAD WGT	UNIT LOAD CUBE	PKG/ UNIT LOAD	UNIT LOAD DRAWING	SECT. 2 INDEX #
E828	1325012914272								CNU-92A		DISPENSER AND BOMB, CBU-71/B		95.125	23.125	24.9375	1150	31.7	1	9211645	93
E828	1325012925536								CNU-92A		DISPENSER AND BOMB, CBU-71/B		95.125	23.125	24.9375	1150	31.7	1	9211645	93
E828	1325012945229								M468		DISPENSER AND BOMB, CBU-71A/B		136	30	28.5	1282	67.3	2	8846908	94
E828	1325013161228								M468		DISPENSER AND BOMB, CBU-71/B		136	30	28.5	1282	67.3	2	8846908	94
E830	1325001986608								MK427-0		DISPENSER AND BOMB, AIRCRAFT CBU-59/B		102.531	23.1563	25.9688	1143	35.7	1	1569339	96
E830	1325010113845								MK427-1		DISPENSER AND BOMB, AIRCRAFT CBU-59/B		103	23.625	26.25	1179	37	1	945AS100	96
E835	1325002556308								MK18-0		DISPENSER AND BOMB, AIRCRAFT MK20 MOD 3		113	36.25	25	1455	59.3	2	2581189	95
E835	1325004646222								MK18-0		DISPENSER AND BOMB, AIRCRAFT MK20 MOD 2		113	36.25	25	1455	59.3	2	2581189	95
E835	1325010060059								CNU-238		DISPENSER AND BOMB, AIRCRAFT MK20 MOD 3		104	38	26	1657	59.5	2	930AS100	90
E835	1325010813377								CNU-319		DISPENSER AND BOMB, AIRCRAFT MK20 MOD 3		102.125	36.125	19.7	1513	42.2	2	1248AS100	91
E835	1325011979008								CNU-319		DISPENSER AND BOMB, AIRCRAFT CBU-MK20 MOD 2		102.125	36.125	19.75	1513	42.2	2	1248AS100	91
E836	1325011979009								CNU-319		DISPENSER AND BOMB, AIRCRAFT CBU-MK20 MOD 4		102.125	36.125	19.75	1483	42.2	2	1248AS100	91
E837	1325005122786								MK427-1		DISPENSER AND BOMB, AIRCRAFT MK20 MOD 6		103	23.625	26.25	930	37	1	945AS100	96
E838	1325010813379								CNU-319		DISPENSER AND BOMB, AIRCRAFT CBU-MK20 MOD 6		102.125	36.125	19.75	1523	42.2	2	1248AS100	91
E847	1325001814421								CNU-79		DISPENSER AND BOMB, CBU-30(T-1)/B		104	31.375	31.25	1085	59	1	9204363	92
E850	1325011964533								CNU-327		DISPENSER AND BOMB, AIRCRAFT CBU-87/B		100.125	40.125	23.75	2506	55.2	2	793560	125
E851	1325011966139								CNU-327		DISPENSER AND BOMB, AIRCRAFT CBU-87(D-2)/B		100.125	40.125	23.75	2506	55.2	2	793560	125
E852	1325011995301								CNU-327		DISPENSER AND BOMB, AIRCRAFT CBU-87(T-1)/B		100.125	40.125	23.75	2012	55.2	2	793560	125
E853	1325012100507								CNU-319		DISPENSER AND BOMB, AIRCRAFT CBU-MK20 MOD 7		102.125	36.125	19.75	1523	42.2	2	1248AS100	91
E853	1325012100508								MK427-0		DISPENSER AND BOMB, AIRCRAFT MK20 MOD 7		102.531	23.1563	25.9688	930	35.7	1	1569339	96
E853	1325012100509								MK427-1		DISPENSER AND BOMB, AIRCRAFT MK20 MOD 7		103	23.625	26.25	930	37	1	945AS100	96
E854	1325012102152								MK427-0		DISPENSER AND BOMB, AIRCRAFT CBU-59A/B		102.531	23.1563	25.9688	1179	35.7	1	1569339	96
E854	1325012116821								MK427-0		DISPENSER AND BOMB, AIRCRAFT CBU-59A/B		102.531	23.1563	25.9688	1179	35.7	1	1569339	96
E854	1325012136235								MK427-1		DISPENSER AND BOMB, AIRCRAFT CBU-59A/B		103	23.625	26.25	1179	37	1	945AS100	96
E854	1325012323105								CNU-319		DISPENSER AND BOMB, AIRCRAFT CBU-59A/B		102.125	36.125	19.75	2023	42.2	2	1248AS100	91
E855	1325012279437								CNU-319		DISPENSER AND BOMB, AIRCRAFT CBU-MK20 MOD 8 PRACTICE		102.125	36.125	19.75	1484	42.2	2	1248AS100	91
E855	1325012279438								MK427-0		DISPENSER AND BOMB, AIRCRAFT MK20 MOD 8		102.531	23.1563	25.9688	900	35.7	1	1569339	96
E857	1325012348877								CNU-319		DISPENSER AND BOMB, AIRCRAFT CBU-MK20 MOD 8		102.125	36.125	19.75	1512	42.2	2	1248AS100	91
E857	1325012395400								MK427-0		DISPENSER AND BOMB, AIRCRAFT MK20 MOD 8		102.531	23.1563	25.9688	915	35.7	1	1569339	96
E858	1325004788966								CNU-80		DISPENSER AND BOMB, CBU-14(T-1)/A		94.375	34.25	24.125	1147	45.2	2	9205473	119
E859	1325004788975								CNU-80		DISPENSER AND BOMB, CBU-14		94.375	34.25	24.125	840	45.2	2	9205473	119
E890	1325012637679								CNU-411		DISPENSER AND BOMB, AIRCRAFT CBU-87B/B		100	38.75	25.65	2370	57.5	2	8644300	79
E891	1325012637678								CNU-411		DISPENSER AND BOMB, AIRCRAFT CBU-87A/B		100	38.75	25.65	2370	57.5	2	8644300	79
E892	1325012836843								CNU-319		DISPENSER AND BOMB, AIRCRAFT CBU-MK20 MOD 11		102.125	36.125	19.75	1506	42.2	2	1248AS100	91
E892	1325012841201								MK427-0		DISPENSER AND BOMB, AIRCRAFT MK20 MOD 11		102.531	23.1563	25.9688	955	35.7	1	1569339	96
E893	1325012841204								CNU-319		DISPENSER AND BOMB, AIRCRAFT CBU-MK20 MOD 11 PRACTICE		102.125	36.125	19.75	1552	42.2	2	1248AS100	91
E893	1325012841206								MK427-0		DISPENSER AND BOMB, AIRCRAFT MK20 MOD 11		102.531	23.1563	25.9688	955	35.7	1	1569339	96
E895	1325012835831								CNU-319		DISPENSER AND BOMB, AIRCRAFT CBU-MK20 MOD 12		102.125	36.125	19.75	1512	42.2	2	1248AS100	91
E895	1325012841214								MK427-0		DISPENSER AND BOMB, AIRCRAFT MK20 MOD 12		102.531	23.1563	25.9688	915	35.7	1	1569339	96
E896	1325012841217								CNU-319		DISPENSER AND BOMB, AIRCRAFT CBU-MK20 MOD 12 PRACTICE		102.125	36.125	19.75	1512	42.2	2	1248AS100	91
E896	1325012841219								MK427-0		DISPENSER AND BOMB, AIRCRAFT MK20 MOD 12		102.531	23.1563	25.9688	965	35.7	1	1569339	96
E898	1325012852975								MK427-1		DISPENSER AND BOMB, AIRCRAFT MK20 MOD 9		103	23.625	26.25	985	37	1	945AS100	96
E898	1325012856096								CNU-319		DISPENSER AND BOMB, AIRCRAFT CBU-MK20 MOD 9		102.125	36.125	19.75	1552	42.2	2	1248AS100	91
E898	1325012856097								MK427-0		DISPENSER AND BOMB, AIRCRAFT MK20 MOD 9		102.531	23.1563	25.9688	935	35.7	1	1569339	96
E899	1325012852979								CNU-319		DISPENSER AND BOMB, AIRCRAFT CBU-MK20 MOD 10		102.125	36.125	19.75	1512	42.2	2	1248AS100	91
E899	1325012852980								MK427-0		DISPENSER AND BOMB, AIRCRAFT MK20 MOD 10		102.531	23.1563	25.9688	915	35.7	1	1569339	96
E901	1325012852970								MK427-0		DISPENSER AND BOMB, AIRCRAFT MK20 MOD 10		102.531	23.1563	25.9688	965	35.7	1	1569339	96
E901	1325012852972								CNU-319		DISPENSER AND BOMB, AIRCRAFT CBU-MK20 MOD 10 PRACTICE		102.125	36.125	19.75	1512	42.2	2	1248AS100	91
E903	1325013020525								CNU-319		DISPENSER AND BOMB, AIRCRAFT CBU-99(T-1)/B		102.125	36.125	19.75	1552	42.2	2	1248AS100	91
E907	1325002755131								CRATE		BOMB, LEAFLET, M129E2		69.75	35.75	39.5	460	57	4	TPO 002755131	163
E907	1325004730019								CRATE		BOMB, LEAFLET, M129		69.75	35.75	39.5	480	57	4	TPO 002755131	163
E907	1325009261936								CRATE		BOMB, LEAFLET, M129		69.75	35.75	39.5	425	57	4	TPO 002755131	163
E909	1325013428801								CNU-411		DISPENSER AND BOMB, AIRCRAFT SENSOR FUZED CBU-97/B		100	38.75	25.65	2367	57.5	2	8644300	79
E912	1325013567832								CNU-319		DISPENSER AND BOMB, AIRCRAFT CBU-99(T-1)/B		102.125	36.125	19.75	1552	42.2	2	1248AS100	91
E913	1325013566321								CNU-319		DISPENSER AND BOMB, AIRCRAFT CBU-99(T-1)A/B		102.125	36.125	19.75	1552	42.2	2	1248AS100	91
E914	1325013566324								CNU-319		DISPENSER AND BOMB, AIRCRAFT CBU-100(T-1)/B		102.125	36.125	19.75	1512	42.2	2	1248AS100	91
E915	1325013567833								CNU-319		DISPENSER AND BOMB, AIRCRAFT CBU-100(T-1)A/B		102.125	36.125	19.75	1512	42.2	2	1248AS100	91
E916	1325013567835								CNU-319		DISPENSER AND BOMB, AIRCRAFT CBU-99/B		102.125	36.125	19.75	1552	42.2	2	1248AS100	91
E917	1325013567837								CNU-319		DISPENSER AND BOMB, AIRCRAFT CBU-99A/B		102.125	36.125	19.75	1552	42.2	2	1248AS100	91
E918	1325013567839								CNU-319		DISPENSER AND BOMB, AIRCRAFT CBU-100/B		102.125	36.125	19.75	1512	42.2	2	1248AS100	91
E919	1325013567840								CNU-319		DISPENSER AND BOMB, AIRCRAFT CBU-100A/B		102.125	36.125	19.75	1512	42.2	2	1248AS100	91
E950	1325000384814	10.4375	12.4375	10.9375		80	0.8	32	WDN BOX		BOMB, PRACTICE MINIATURE 3 LB MK23 MOD 0	WP1	49.75	41.75	27.375	2650	32.9	640	WR-53/186	32
E956	1325009267883	18.75	10.5	24		43	0	12	WDN BOX		BOMB, PRACTICE MK106 MOD 5	WP1	56.25	42	29.5	605	40.3	12	MS1322-811	32
E957	1325009113929	18.75	10.5	24		43	0	12	WDN BOX		BOMB, PRACTICE MK106 MOD 5	WP1	56.25	42	29.5	605	40.3	12	MS1322-811	32
E962	1325011356923	10.5	10.5	24		40	0	4	WDN BOX		BOMB, PRACTICE BDU-48/B	MK3 MP	52.5	42	28.75	934	36.7	20	MS1323-221	32
E963	1325011269922										BOMB, PRACTICE MK76 MOD 0	WBPBX	42.25	42	31	2158	31.8	81	WR-53/45	32
E963	1325011269922										BOMB, PRACTICE MK76 MOD 0	MK3 MP	48	42	35.75	2306	41.7	81	MS1323-300	32
E963	1325011274087	27.875	11.125	5.375		52	0.9	2	WDN BOX		BOMB, PRACTICE MK76 MOD 0	MK3 MP	55.75	44.5	42.625	3022	61.2	56	MS1323-217	32
E969	1325004015967										BOMB, PRACTICE 25 LB	WP	41.125	41.125	30.25	2185	29.6	80	F	

DODIC	NSN	PACK LEN	PACK WID	PACK HGT	PACK DIA	PACK WGT	PACK CUBE	RDS/ PACK	PACKAGE TYPE	PACKAGE DRAWING #	NOMENCLATURE	BASE TYPE	UNIT LOAD LEN	UNIT LOAD WID	UNIT LOAD HGT	UNIT LOAD WGT	UNIT LOAD CUBE	PKG/ UNIT LOAD	UNIT LOAD DRAWING	SECT. 2 INDEX #	
E969	1325010542906										BOMB, PRACTICE 25 LB	WP	41.125	41.125	30.25	2185	29.6	80	F007023713	29	
E973	1325008063409										BOMB, PRACTICE MK76 MOD 0	WBPBX	42.25	42	31	2158	31.8	81	WR-53/45	32	
E973	1325010712560										BOMB, PRACTICE MK76 MOD 0	WBPBX	42.25	42	31	2158	31.8	81	WR-53/45	32	
E973	1325010712561	27.875	11.125	5.375		52	0.9	2	WDN BOX		BOMB, PRACTICE MK76 MODS 4 & 5	WP1	44.5	55.75	37.75	2586	54.2	48	WR-53/809	32	
E973	1325010712561	27.875	11.125	5.375		52	0.9	2	WDN BOX		BOMB, PRACTICE MK76 MODS 4 & 5	MK3 MP	55.75	44.5	42.625	3022	61.2	56	MS1323-217	32	
E989	1325013894013								CNU-554		BOMB, BLU-113A(D-1)/B		154	30	31.875	4414	85.2	1	9330327	114	
EA02	1325013904537								CNU-554		BOMB, BLU-113A/B		154	30	31.875	5255	85.2	1	9330327	114	
EA03	1325013904580								CNU-554		BOMB, BLU-113/B		154	30	31.875	5255	85.2	1	9330327	114	
EA15	1325014121174	49.5	14.125	12.5		100	5.1	1	CNU-317	793500	CONTROL SECTION, GUIDED BOMB WCU-10/B	MK3MP	49.5	42.375	41.875	999	50.8	9	6214415	177	
EA16	1325014122134	49.5	14.125	12.5		100	5.1	1	CNU-317	793500	CONTROL SECTION, GUIDED BOMB WCU-10A/B	MK3MP	49.5	42.375	41.875	999	50.8	9	6214415	177	
EA20	1325013373150								CNU-483	8982910	CONVERSION KIT, BOMB ADK-723		67	39.5	27.125	1000	41.5	1		205	
EA23	1325004918007										AIRFOIL GROUP, MXU-600/B	CRATE	34.625	34.625	34.25	260	23.8	1	S004918007	104	
EA25	13250111066318								CNU-203	724067	BOMB CONVERSION KIT, MXU-724A/B		94.375	34.25	24.125	902	45.2	4	724076	119	
EA26	1325013847541				42	33.3	287	33.7	1	CNU-441	2898422-1	AIRFOIL GROUP, BSG-92/B								1	
EA26	1325013847541								CNU-373	817218-30	AIRFOIL GROUP, BSG-92/B		64.25	44	38.5	836	63	1		167	
EA27	1325013954253								CNU-373	817218-30	AIRFOIL GROUP, BSU-84A/B		64.25	44	38.5	1044	63	1		167	
EA32	1325013240283								2	PA60	8983550	FUZE, BOMB FMU-143B(D-2)/B	WP	43	48	32.25	1206	39.2	56	8983670	1
EA37	1325015244496	49.5	13.8125	12.5		142	4.95	1	CNU-371	817352-10	GUIDANCE CONTROL UNIT, GUIDED BOMB, WGU-39/B	MK3 MP	41.4375	49.5	41.5	1387	48.7	9	6214084	191	
EA51	1325014369403								CNU-411		DISPENSER AND BOMB, AIRCRAFT SENSOR FUZED CBU-97A/B		100	38.75	25.65	2367	57.5	2	8644300	79	
EA65	1325014409152	49.5	14.125	12.5		94	5.1	1	CNU-317	793500	GUIDANCE AND CONTROL SECTION, MAU-169H/B F/GBU-10/12/16	MK3MP	49.5	42.375	41.875	945	50.8	9	6214415	177	
EA69	1325014445122								CNU-589		GUIDANCE SET, JOINT DIRECT ATTACK MUNITION (JDAM) KMU-556/B		63.4375	42	32.3125	459	50.7	2	6214068	171	
EA70	1325014445123								CNU-589		GUIDANCE SET, JOINT DIRECT ATTACK MUNITION (JDAM) KMU-557/B		63.4375	42	32.3125	558	50.7	2	6214068	171	
EA76	1325014497713								CNU-589		GUIDANCE SET, JOINT DIRECT ATTACK MUNITION (JDAM) KMU-558/B		63.4375	42	32.3125	566	50.7	2	6214068	171	
EA78	1325014544285								CNU-373	817218-30	AIRFOIL GROUP, BSU-88A/B		64.25	44	38.5	785	63	1		167	
EA81	1325014547237	49.5	13.8125	12.5		145.6	4.95	1	CNU-371	817352-10	GUIDANCE CONTROL SECTION, WGU-39A/B	MK3 MP	41.4375	49.5	41.5	1419	48.7	9	6214084	191	
EA85	1325014583897								CNU-411		DISPENSER AND BOMB, AIRCRAFT WIND CORRECTED MUNITIONS DISPENSER (WCMD) CBU-103A/B		100	38.75	25.65	2390	57.5	2	8644300	79	
EA86	1325014583900								CNU-411		DISPENSER AND BOMB, AIRCRAFT WIND CORRECTED MUNITIONS DISPENSER (WCMD) CBU-103B/B		100	38.75	25.65	2390	57.5	2	8644300	79	
EA87	1325014583898								CNU-411		DISPENSER AND BOMB, AIRCRAFT WIND CORRECTED MUNITIONS DISPENSER (WCMD) CBU-105/B		100	38.75	25.65	2370	57.5	2	8644300	79	
EA88	1325014584549								CNU-411		DISPENSER AND BOMB, AIRCRAFT WIND CORRECTED MUNITIONS DISPENSER (WCMD) CBU-105A/B		100	38.75	25.65	2370	57.5	2	8644300	79	
EA89	1325014584828								CNU-411		DISPENSER AND BOMB, AIRCRAFT CBU-105B/B		100	38.75	25.65	2370	57.5	2	8644300	79	
EA96	1325014585888										FIN ASSEMBLY, BOMB MK83-1	MK3 MP	43.375	48	36.25	885	43.7	12	6214434	1	
EA97	1325014596822								CNU-589		GUIDANCE SET, JOINT DIRECT ATTACK MUNITION (JDAM) KMU-559/B		63.4375	42	32.3125	357	50.7	2	6214068	171	
EB24	1325014768955								CNU-411		DISPENSER AND BOMB, AIRCRAFT CBU-105C/B		100	38.75	25.65	2370	57.5	2	8644300	79	
EB34	1325014802505								CNU-571		BOMB, GUIDED PRACTICE BDU-60A/B FOR PAVEWAY III (GBU-24B/B)		101	35	19.375	699	39.6	3	SPI-PHST-210	1	
EB35	1325014816188								CNU-589		GUIDANCE SET, JOINT DIRECT ATTACK MUNITION (JDAM) KMU-556A/B		63.4375	42	32.3125	459	50.7	2	6214068	171	
EB36	1325014816527								CNU-589		GUIDANCE SET, JOINT DIRECT ATTACK MUNITION (JDAM) KMU-557A/B		63.4375	42	32.3125	558	50.7	2	6214068	171	
EB37	1325014816492								CNU-589		GUIDANCE SET, JOINT DIRECT ATTACK MUNITION (JDAM) KMU-558A/B		63.4375	42	32.3125	566	50.7	2	6214068	171	
EB38	1325014816293								CNU-589		GUIDANCE SET, JOINT DIRECT ATTACK MUNITION (JDAM) KMU-559A/B		63.4375	42	32.3125	357	50.7	2	6214068	171	
EB48	1325014871621										BOMB, BLU-116A/B	MHU212	99.125	38	21.875	4345	47.7	2	6214303	170	
EB52	1325014910003								CNU-589		GUIDANCE SET, JOINT DIRECT ATTACK MUNITION (JDAM) KMU-572A/B		63.4375	42	32.3125	337	50.7	2	6214068	171	
EB66	1325014935896	49.5	14.125	12.5		94	5.1	1	CNU-317	793500	GUIDANCE AND CONTROL SECTION, MAU-209/B F/PAVEWAY II	MK3MP	49.5	42.375	41.875	945	50.8	9	6214415	177	
EC42	1325015249697	49.5	14.125	12.5		94	5.1	1	CNU-317	793500	GUIDANCE AND CONTROL SECTION, MAU-169L/B F/GBU-10/12/16	MK3MP	49.5	42.375	41.875	945	50.8	9	6214415	177	
EC43	1325015260308								CNU-589		GUIDANCE SET, JOINT DIRECT ATTACK MUNITION (JDAM) KMU-556B/B		63.4375	42	32.3125	459	50.7	2	6214068	171	
EC44	1325015260311								CNU-589		GUIDANCE SET, JOINT DIRECT ATTACK MUNITION (JDAM) KMU-556C/B		63.4375	42	32.3125	459	50.7	2	6214068	171	
EC45	1325015260307								CNU-589		GUIDANCE SET, JOINT DIRECT ATTACK MUNITION (JDAM) KMU-557B/B		63.4375	42	32.3125	558	50.7	2	6214068	171	
EC46	1325015260309								CNU-589		GUIDANCE SET, JOINT DIRECT ATTACK MUNITION (JDAM) KMU-557C/B		63.4375	42	32.3125	558	50.7	2	6214068	171	
EC47	1325015260313								CNU-589		GUIDANCE SET, JOINT DIRECT ATTACK MUNITION (JDAM) KMU-558B/B		63.4375	42	32.3125	566	50.7	2	6214068	171	
EC48	1325015260316								CNU-589		GUIDANCE SET, JOINT DIRECT ATTACK MUNITION (JDAM) KMU-558C/B		63.4375	42	32.3125	566	50.7	2	6214068	171	
EC49	1325015260310								CNU-589		GUIDANCE SET, JOINT DIRECT ATTACK MUNITION (JDAM) KMU-559B/B		63.4375	42	32.3125	357	50.7	2	6214068	171	
EC50	1325015260312								CNU-589		GUIDANCE SET, JOINT DIRECT ATTACK MUNITION (JDAM) KMU-559C/B		63.4375	42	32.3125	357	50.7	2	6214068	171	
EC51	1325015260314								CNU-589		GUIDANCE SET, JOINT DIRECT ATTACK MUNITION (JDAM) KMU-572B/B		63.4375	42	32.3125	337	50.7	2	6214068	171	
EC52	1325015260315								CNU-589		GUIDANCE SET, JOINT DIRECT ATTACK MUNITION (JDAM) KMU-572C/B		63.4375	42	32.3125	337	50.7	2	6214068	171	
EC53	1325015268728	84	15	15.75		374	11.5	1	CNU-659	70P993152-1001	BOMB, GBU-39/B SMALL DIAMETER BOMB SINGLE WEAPON	WP	45.125	84	36.125	2339	79.2	6	8826	172	
EC53	1325015268728								CNU-660	70P993153-1001	BOMB, GBU-39/B SMALL DIAMETER BOMB CARRIAGE/SYSTEM		153	29.5	30.875	2321	80.6	4	70P993153-1001	173	
EC59	1325015298876								CNU-658	X20065101	BOMB, BLU-122(D-1)/B		159	30	31	4915	82.8	1	X20065101	180	
EC60	1325015297850								CNU-658	X20065101	BOMB, BLU-122/B		159	30	31	4915	82.8	1	X20065101	180	
EC61	1325015302364	49.5	13.8125	12.5		141	4.95	1	CNU-371	817352-10	GUIDANCE CONTROL SECTION, WGU-360/B	MK3 MP	41.4375	49.5	41.5	1375	48.7	9	6214084	191	
EC62	1325015302365								CNU-373	817218-30	AIRFOIL GROUP, BSG-92B/B		64.25	44	38.5	836	63	1		167	
EC63	1325015323225										BOMB, FIRE MK77 MOD 6	CRATE	85	20	24.75	215	25.1	1	923AS657	1	
EC86	1325015408146	49.5	14.125	12.5		128.5	5.1	1	CNU-317	793500	GUIDANCE AND CONTROL SECTION, WGU-53/B	MK3MP	49.5								

DODIC	NSN	PACK LEN	PACK WID	PACK HGT	PACK DIA	PACK WGT	PACK CUBE	RDS/ PACK	PACKAGE TYPE	PACKAGE DRAWING #	NOMENCLATURE	BASE TYPE	UNIT LOAD LEN	UNIT LOAD WID	UNIT LOAD HGT	UNIT LOAD WGT	UNIT LOAD CUBE	PKG/ UNIT LOAD	UNIT LOAD DRAWING	SECT. 2 INDEX #
F013	1325011662562										BOMB, PRACTICE 500 LB	WP	61.75	33.25	31.5	3088	37.4	6	TPO 1325-294-4152	70
F013	1325012124162										BOMB, PRACTICE 500 LB	WP	61.75	33.25	31.5	3040	37.4	6	TPO 1325-294-4152	70
F017	1325010881054										BOMB, PRACTICE 500 LB	MHU122	61.375	35	28.5	3093	35.4	6	MS1323-205	68
F034	1325012276781								CNU-417		BOMB, BLU-109(D-1)/B		98.5	45	29	4470	74.4	2	8463212	72
F114	1325002395935										BOMB, GP 750 LB M117	WP	52.25	32.25	22.875	1575	22.3	2	TPO	97
F140	1325012215385								CNU-417		BOMB, PENETRATOR BLU-109/B 2000 POUNDS WITHOUT CABLE ASSEMBLY		98.5	45	29	4470	74.4	2	8463212	72
F140	1325012215385								CNU-416		BOMB, PENETRATOR BLU-109/B 2000 POUNDS WITHOUT CABLE ASSEMBLY		95	40	20.75	4337	45.6	2		140
F142	1325013798019										GUIDED BOMB, BLU-109A/B PENETRATOR WITH EXTERNAL THERMAL PROTECTION	MHU212	99.125	38	21.875	4321	47.7	2	6214303	170
F226	1325005801776										BOMB, INERT FILLED 250 LB	MK8 MP	50.25	36.375	32.125	3158	33.9	12	WR-54/15	66
F227	1325005801777										BOMB, INERT FILLED 250 LB	MK8 MP	50.25	36.375	32.125	3158	33.9	12	WR-54/15	66
F228	1325009123866										BOMB, INERT FILLED 250 LB	MK8 MP	50.25	36.375	32.125	3158	33.9	12	WR-54/15	66
F237	1325005672816										BOMB, INERT FILLED 500 LB	MK9 MP	67.125	33.75	27	3228	35.4	6	WR-54/31	69
F238	1325009359174										BOMB, GP 500 LB MK82 MOD 1 (MINOL)	WP	61.75	33.25	31.5	3088	37.4	6	TPO 1325-294-4152	70
F240	1325005853841										BOMB, EMPTY 500 LB (NOMINAL)	WP	61.75	33.25	31.5	1936	37.4	6	TPO 1325-294-4152	70
F243	1325005801779										BOMB, INERT FILLED 500 LB	MK9 MP	61.875	33.75	31.75	3138	32.5	6	WR-54/31	69
F243	1325005801779										BOMB, INERT FILLED 500 LB	WP	61.75	33.25	31.5	3088	37.4	6	TPO 1325-294-4152	70
F244	1325009123867										BOMB, INERT FILLED 500 LB	MK9 MP	67.125	33.75	27	3228	35.4	6	WR-54/31	69
F245	1325009269305										BOMB, EMPTY 500 LB (NOMINAL)	WP	56.25	32.25	22.75	1510	23.8	2	SP19261868	29
F252	1325006256556										BOMB, INERT FILLED 1000 LB	MK11MP	74.25	43.5	19.5	2976	36.4	3	WR-54/243	71
F253	1325009123868										BOMB, INERT FILLED 1000 LB	MK11MP	74.5	43.5	19	2934	35.5	3	WR-54/243	71
F256	1325000384855										BOMB, INERT FILLED 1000 LB	MK11MP	74.5	43.5	19	2934	35.5	3	WR-54/243	71
F256	1325002944154										BOMB, INERT FILLED 1000 LB	MK11MP	74.5	43.5	19	2934	35.5	3	WR-54/243	71
F256	1325002944155										BOMB, INERT FILLED 1000 LB	MK11MP	74.5	43.5	19	2934	35.5	3	WR-54/243	71
F261	1325011438615										BOMB, EMPTY 2000 LB (NOMINAL)	MK79MP	99	38	24.25	2335	52.8	2	6214081	73
F264	1325006256571	99									BOMB, INERT FILLED 2000 LB	MK79MP	99	38	24.625	4124	53.6	2	WR-54/253	73
F267	1325006914653	99									BOMB, EMPTY 2000 LB (NOMINAL)	MK79MP	99	38	24.25	2335	52.8	2	6214081	73
F267	1325010081335	99									BOMB, EMPTY 2000 LB (NOMINAL)	MK79MP	99	38	24.25	2335	52.8	2	6214081	73
F268	1325005801778	99									BOMB, INERT FILLED 2000 LB	MK79MP	99	38	24.25	4075	52.8	2	6214081	73
F269	1325009123869										BOMB, INERT FILLED 2000 LB	MK79MP	99	38	24.25	4075	52.8	2	6214081	73
F270	1325000259358										BOMB, GP 2000 LB MK84 MOD 2 (TRITONAL)	MK79MP	99	38	24.25	4075	52.8	2	6214081	73
F272	1325000298911										BOMB, GP 2000 LB MK84 MOD 3 (H-6)	MK79MP	99	38	24.625	4124	53.6	2	WR-54/253	73
F273	1325000298912										BOMB, INERT FILLED 2000 LB	MK79MP	99	38	24.25	4075	52.8	2	6214081	73
F274	1325010294530										BOMB, GP 2000 LB MK84 MOD 5 (H-6) THERMALLY PROTECTED	MK79MP	99	38	24.625	4124	53.6	2	WR-54/253	73
F275	1325010339895										BOMB, GP 2000 LB MK84 MOD 4 (TRITONAL)	MK79MP	99	38	24.25	4077	52.8	2	6214081	73
F287	1325012642017										BOMB, GP BLU-111/B	MHU122	61.375	35	28.5	3301	36.1	6	WR-54/239	38
F288	1325012925627										BOMB, GP 1000 LB BLU-110A/B	MHU187	74	46	21	3191	41.4	3	MS1323/393	67
F289	1325013003577										BOMB, GP PENETRATOR 500 LB BLU-111A/B PBXN-109 THERMALLY PROTECTED	MHU122	61.375	35	29	3093	36	6	6214275	68
F289	1325015031762										BOMB, GENERAL PURPOSE, BLU-111A/B, 500 POUND, LOW DRAG, THERMALLY PROTECTED	MHU122	61.375	35	29	3149	36	6	6214275	68
F364	1325010418493	32	13.25	10.75		100	2.6	20	WDN BOX		ADAPTER, FUZE INERT ADU-449(D-1)/B	WP1	43	53	37.5	1686	49.5	16	4116/51	1
F364	1325010550359	8.25	8.25	14.5		8	0.6	1	FB BOX		ADAPTER, FUZE INERT	WPBPBX	33.75	44.25	40	504	34.6	48	4169/41	4
F364	1325010550359	8.25	8.25	14.5		8	0.6	1	FB BOX		ADAPTER, FUZE INERT	FBPBX	35	45.5	36	439	33.2	40	4169/41	4
F370	1325003862434	32	13.25	10.75		100	2.6	20	WDN BOX		ADAPTER, RETAINER F/ADU-449/B	WP1	43	53	37.5	1686	49.5	16	4116/51	1
F372	1325009263954	24	20.25	14.5		129	4.1	30	WDN BOX		ADAPTER-BOOSTER, BOMB T45E7	WP1	40.5	48	49	1633	55.1	12	4116/51A	1
F387	1325009352070	24	20.25	14.5		129	4.1	30	WDN BOX		ADAPTER-BOOSTER, BOMB M147	WP1	40.5	48	49	1633	55.1	12	4116/51A	1
F470	1325011128170	12	6.09	7.5		17	0.3	50	M2A1		CARTRIDGE, SIGNAL PRACTICE BOMB CXU-3A/B	WP1	48.5	42.75	34.75	1991	41.7	112	6214536	32
F497	1325009305866	33.75	15	15		75	4.4	1	WDN BOX		CANISTER, CLUSTER CS M15	SK10R2	45	33.75	35.75	493	31.4	6	4138/48	2
F504	1325004585179	25.25	22.5	13.875		40	4.6	200	WBD BOX		BOOSTER, AUXILIARY BOMB FZU-1/B	WP1B	42.375	53.5	50.5	625	66.3	12	4116/60	1
F504	1325008792645	25.25	22.5	13.875		40	4.6	200	WBD BOX		BOOSTER, AUXILIARY BOMB FZU-1/B	WP1B	42.375	53.5	50.5	625	66.3	12	4116/60	1
F526	1325008907935	17.25	17.4219	24.625		106	4.3	8	MK417		BURSTER, BOMB MK5 MOD 0	MK3 MP	52.25	40.125	30.25	789	36.5	6	WR-54/173	51
F527	1325008907934	17.25	17.4219	24.625		106	4.3	8	MK417		BURSTER, BOMB INERT FILLED	MK3 MP	52.25	40.125	30.25	789	36.5	6	WR-54/173	51
F534	1325010876764	18.5	14.75	18.5		68	2.9	72	WDN BOX		CARTRIDGE, SIGNAL PRACTICE CXU-4/B	WP1B	44.25	55.5	42.5	1320	60.4	18	4116/53A	1
F534	1325011688668	9.5	18.5	15		67	15.3	84	MK1		CARTRIDGE, SIGNAL PRACTICE CXU-4/B	MK12MP	47.5	37	34.625	1458	35.5	20	MS1323-96	32
F540	1325001732718										FIN ASSEMBLY, BOMB MK15 MOD 3A	PB	37	26	39.375	444	21.9	6	F009030444	1
F546	1325002457966	22	8	8.25		26	0.8	36	FB BOX		CHARGE, SPOTTING CXU-1/B	WP1	40	48.5	38.5	1171	43.2	40	4116/53	1
F547	1325002457964	33.75	12	18.625		80	4.4	36	WBD BOX		CHARGE, SPOTTING CXU-2/B	WP1	40.25	48	39.25	762	43.9	8	4116/53B	1
F562	1325000384638	29	12	12.5		80	2.5	500	WDN BOX		CARTRIDGE, SIGNAL PRACTICE BOMB MK4 MOD 3	WP1A	36	50	34.5	1031	35.9	12	4116/62	1
F562	1325000384638	29	12	12.5		80	2.5	500	WDN BOX		CARTRIDGE, SIGNAL PRACTICE BOMB MK4 MOD 3	MK3 MP	53	41	29.75	1060	37.4	12	WR-54/261	32
F573	1325004858868										FIN ASSEMBLY, BOMB MAU-103	CRATE	45.375	55.375	45.75	710	66.5	12	F001122621	1
F582	1325000259359										FIN ASSEMBLY, MAU-93/B FOR MK82 BOMB	CRATE	43	79	31.625	1077	62.2	50		127

DODIC	NSN	PACK LEN	PACK WID	PACK HGT	PACK DIA	PACK WGT	PACK CUBE	RDS/ PACK	PACKAGE TYPE	PACKAGE DRAWING #	NOMENCLATURE	BASE TYPE	UNIT LOAD LEN	UNIT LOAD WID	UNIT LOAD HGT	UNIT LOAD WGT	UNIT LOAD CUBE	PKG/ UNIT LOAD	UNIT LOAD DRAWING	SECT. 2 INDEX #
F607	132500095573										FIN ASSEMBLY, BOMB FOR MK84 BOMB W/O LUGS	CRATE	83.75	51.5	33.75	1195	84.2	12 SPI/TPO	99	
F642	1325004647308										FIN ASSEMBLY, BOMB FOR MK83 BOMB W/LUGS	CRATE	43.375	48	36.25	885	43.7	12 MS1323-283	100	
F655	1325009030444										FIN ASSEMBLY, BOMB MK15 MOD 1 FOR MK82 BOMB	CRATE	25.75	36.75	38.5	444	21.1	6 SPI/TPO	101	
F660	1325009224210										FIN ASSEMBLY, MAU-91 FOR M117 BOMB	WBWPBX	40	40	47	646	43.5	4 SPI/TPO	156	
F664	1325004601306										FIN ASSEMBLY, MAU-93/B FOR MK82 BOMB	CRATE	43	79	31.625	1077	62.2	50	127	
F721	1325001159784	29.25	15.25	17.125		67	4.4	12	WDN BOX	SPI F00-148-4085	FUZE, BOMB TAIL FMU-54/B	WP1B	45.75	58.5	39.75	902	61.6	12 4116/55G	1	
F730	1325006039814	41.125	16.75	20.375		136	8.1	10	PLY BOX		FUZE, BOMB FMU-56/B	WP1	41.125	50.25	46.25	902	55.3	6 4116/61	1	
F740	1325000093729	18.5	9.5	14.75		57	1.5	9	MK1		FUZE, BOMB NOSE MK339 MOD 1	WP1A	37	47.5	49.75	1783	50.6	30 4116/57D	1	
F740	1325000093729	18.5938	8.2969	14.5938		64	1.3	9	M548		FUZE, BOMB NOSE MK339 MOD 1	WP1	40.5	49.75	49	2466	57.1	36 4116/59	1	
F740	1325010560824	8.25	8.25	14.5		5	0.6	1	FB BOX		FUZE, BOMB NOSE MK339 MOD 1	FBBPX	35	45.5	36	319	33.2	40 4169/42	4	
F740	1325010560824	8.25	8.25	14.5		5	0.6	1	FB BOX		FUZE, BOMB NOSE MK339 MOD 1	WBWPBX	33.75	44.25	40	360	34.6	48 4169/42	4	
F745	1325010121989	18.5938	8.2969	14.5938		40	1.3	2	M548		FUZE, PROXIMITY FMU-110/B	WP1	40.5	49.75	49	1602	57.1	36 4116/59	1	
F746	1325010121990	18.5938	8.2969	14.5938		40	1.3	2	M548		FUZE, PROXIMITY FMU-113/B	WP1	40.5	49.75	49	1602	57.1	36 4116/59	1	
F752	1325001539323	25.75	20.5	19.75		122	6	12	WDN BOX		FUZE, BOMB NOSE FMU-72/B & KIT	WP1	41	51.5	45	1061	55	8 4116/57C	1	
F755	1325011234101									CNU-373	AIRFOIL GROUP, BSU-84/B		64.25	44	38.5	1044	63	2	167	
F760	1325004918006									0	FIN, BOMB MXU-602/B FOR PAVEWAY BOMB	CRATE	22	31	29.75	155	11.7	1 SPI/TPO	147	
F761	1325004279097			41.5	33.125	196	26.4	1	DRUM		FIN ASSEMBLY, BOMB MXU-651/B	WP	34.625	67.75	46.75	492	63.7	2 763559	102	
F763	1325004279099			34.5	25.5	154	12.3	1	DRUM		FIN ASSEMBLY, BOMB MXU-650/B	WP	27	52.5	37.5	383	30.8	2 763559	102	
F763	1325012590556			34.5	25.5	154	12.3	1	DRUM		FIN ASSEMBLY, BOMB MXU-650/B	WP	27	52.5	37.5	383	30.8	2 763559	102	
F780	1325011415157										FIN ASSEMBLY, BOMB BSU-33A/B IN ADU-426 PALLET ADAPTER	MK3	40.875	48	32	836	36.4	30 6214035	181	
F782	1325012828343										FIN ASSEMBLY, BOMB BSU-33B/B IN ADU-426 PALLET ADAPTER	MK3	40.875	48	32	836	36.4	30 6214036	181	
F790	1325012378905			42	33.3	333	33.7	1	CNU-441	2898422-1	AIRFOIL GROUP, BSU-88/B								1	
F790	1325012378905									CNU-373	AIRFOIL GROUP, BSU-88/B		64.25	44	38.5	785	63	1	167	
F798	1325013796468	12	6.125	13.375		21	0.58	2	PA60	8983550	FUZE, BOMB FMU-143E(D-2)/B	WP	43	48	32.25	1206	39.2	56 8983670	1	
F799	1325013791520	12	6.125	13.375		21	0.58	2	PA60	8983550	FUZE, BOMB FMU-143H/B	WP	43	48	32.25	1206	39.2	56 8983670	1	
F800	1325013797848	12	6.15	13.375		21	0.58	2	PA60	8983550	FUZE, BOMB FMU-143G/B	WP	43	48	32.25	1206	39.2	56 8983670	1	
F801	1325013791536	12	6.125	13.375		21	0.58	2	PA60	8983550	FUZE, BOMB FMU-143F/B	WP	43	48	32.25	1206	39.2	56 8983670	1	
F809	1325013239171	12	6.125	13.375		22	0.58	2	PA60	8983550	FUZE, BOMB FMU-143B/B	WP	43	48	32.25	1262	39.2	56 8983670	1	
F812	1325004711958	29.25	15.25	17.125		67	4.4	12	WDN BOX	SPI F00-148-4085	FUZE, BOMB NOSE FMU-54(D-1)/B	WP1B	45.75	58.5	39.75	902	61.6	12 4116/55G	1	
F816	1325010480760	18.5	9.5	15		57	1.5	9	MET BOX	2513039	FUZE, BOMB NOSE MK339-1	WP1A	37	47.5	35.25	1213	35.9	20 4116/55F	1	
F817	1325010495377	8.25	8.25	14.5		5	0.6	1	FB BOX		FUZE, BOMB NOSE MK339-1	WP1B	42	54	34.5	456	45.3	60 4116/55B	1	
F817	1325010495377	8.25	8.25	14.5		5	0.6	1	FB BOX		FUZE, BOMB NOSE MK339 MOD 1	WBWPBX	33.75	44.25	40	360	34.6	48 4169/42	4	
F817	1325010495377	8.25	8.25	14.5		5	0.6	1	FB BOX		FUZE, BOMB NOSE MK339 MOD 1	FBBPX	35	45.5	36	319	33.2	40 4169/42	4	
F826	1325000285510	20.25	18.75	7.5		59	1.6	25	WDN BOX		FUZE, BOMB NOSE M155	WP1A	37.5	46	35.5	1044	35.4	16 4116/57	1	
F826	1325000285513	17	12	12.75		47	1.5	24	WDN BOX		FUZE, BOMB NOSE M155	WP1A	38.25	51	53.5	1765	60.4	36 4116/57A	1	
F830	1325004785924	15.375	12.375	14.5625		50	1.6	12	MET BOX	2428771	FUZE, BOMB NOSE M904E3	WP1A	37.125	46.125	49.25	1424	48.8	27 4116/57B	1	
F841	1325001484085	29.25	15.25	17.125		67	4.4	12	WDN BOX	SPI F00-148-4085	FUZE, BOMB TAIL FMU-54A/B	WP1B	45.75	58.5	39.75	902	61.6	12 4116/55G	1	
F841	1325006130484	27.5	13.5	14.5		86	3.1	12	WBD BOX		FUZE, BOMB TAIL FMU-54A/B	WP1B	42	55	49	1666	65.5	18 4116/55C	1	
F843	1325012224196	12	6.125	13.375		22	0.58	2	PA60		FUZE, FMU-143/B	WP	43	48	32.25	1262	39.2	56 8983670	1	
F847	1325010747645	18.5938	8.2969	14.5938		40	1.3	2	M548		FUZE, BOMB NOSE FMU-56B(D-1)/B	WP1	40.5	49.75	49	1602	57.1	36 4116/59	1	
F949	1325000285442	18.5	14.75	15.75		109	2.5	25	WDN BOX		FUZE, BOMB TAIL AN-M100A2	WP1A	37	47.25	49.75	2033	50.3	18 4116/55A	1	
F969	1325003011870	35.625	9.625	7.875		62	1.6	6	WDN BOX		FUZE, BOMB TAIL M172	WP1A	35.625	48.125	37	1312	36.7	20 4116/55E	1	
F971	1325000285475	47.375	9.625	7.875		73	2.1	6	WDN BOX		FUZE, BOMB TAIL M176	WP1A	38.5	47.375	44.875	1533	47.4	20 4116/55D	1	
F989	1325007562184	22.9375	9.6875	14.2188		39	1.8	15	WDN BOX		FUZE, BOMB TAIL M905	WP1A	38.75	45.875	34	698	35	16 4116/55	1	
FW76	6920010639864									CNU-242	GM, EVALUATION PHOENIX AEM-54A-3		168	38	30	2580	110.8	2	194	
FW77	6920010639865									CNU-242	GM, EVALUATION PHOENIX AEM-54A-1		168	38	30	2580	110.8	2	194	
FW78	6920010639866									CNU-242	GM, EVALUATION PHOENIX AEM-54A-2		168	38	30	2580	110.8	2	194	
FW92	1325010667965									CNU-203	COMPUTER CONTROL GROUP MAU-169A/B		94.375	34.25	24.125	868	45.2	4 724076	119	
FZ14	1330014594018	14.4375	12.5313	8.125		31	0.9	8	WBD BOX	7553347	GRENADE, DISCHARGER ANTI-RIOT IRRITANT CS 196A1	WP1	43.375	50.125	38	1577	47.8	48 4116/66E	1	
FZ15	1330014594032	14.4375	12.5313	8.125		31	0.9	8	WBD BOX	7553347	GRENADE, DISCHARGER ANTI-RIOT PRACTICE 197A1	WP1	43.375	50.125	38	1577	47.8	48 4116/66E	1	
FZ16	1330014847773	14.4375	12.5313	8.125		34	0.9	8	WBD BOX	7553347	GRENADE, LAUNCHER NON-LETHAL DISTRACTION M98	WP1	43.375	50.125	38	1721	47.8	48 4116/66E	1	
FZ17	1330014847775	14.4375	12.5313	8.125		34	0.9	8	WBD BOX	7553347	GRENADE, LAUNCHER NON-LETHAL BLUNT TRAUMA M99	WP1	43.375	50.125	38	1721	47.8	48 4116/66E	1	
G122	1325010618601	18.5938	8.2969	14.5938		40	1.3	2	M548		FUZE, BOMB DUMMY PROXIMITY FMU-113(D-2)/B	WP1	40.5	49.75	49	1602	57.1	36 4116/59	1	
G123	1325010620173	18.5938	8.2969	14.5938		40	1.3	2	M548		FUZE, BOMB DUMMY PROXIMITY FMU-113(D-3)/B	WP1	40.5	49.75	49	1602	57.1	36 4116/59	1	
G124	1325010616603	18.5938	8.2969	14.5938		40	1.3	2	M548		FUZE, BOMB DUMMY PROXIMITY FMU-113(D-5)/B	WP1	40.5	49.75	49	1602	57.1	36 4116/59	1	
G197	1325003833907	25.25	24	6.25		125	2.1	25	WDN BOX		IGNITER, BOMB WP AN-M23	MK3 MP	48	50.5	42.25	3104	60.3	24 WR-54/74	32	
G197	1325003833910	25.25	24	6.25		125	2.1	25	WDN BOX		IGNITER, BOMB WP AN-M23	MK3 MP	48	50.5	42.25	3104	60.3	24 WR-54/74	32	
G210	1325001276609	11.1875	29.0313	11.875		69	2.2	12	MK442		IGNITER, BOMB MK273 MOD 0	MK3 MP	40.25	51.375	39.25	1338	46.9	18 WR-54/114	32	
G210	1325010940694	11.1875	29.0313	11.875		69	2.2	12	MK442		IGNITER, BOMB MK273 MOD 0	MK3 MP	40.25	51.375	39.25	2254				

DODIC	NSN	PACK LEN	PACK WID	PACK HGT	PACK DIA	PACK WGT	PACK CUBE	RDS/ PACK	PACKAGE TYPE	PACKAGE DRAWING #	NOMENCLATURE	BASE TYPE	UNIT LOAD LEN	UNIT LOAD WID	UNIT LOAD HGT	UNIT LOAD WGT	UNIT LOAD CUBE	PKG/ UNIT LOAD	UNIT LOAD DRAWING	SECT. 2 INDEX #
G273	1325006841364	10.125	10.25	9		13	0.5	80	WDN BOX		LUG, BOMB SUSPENSION F/MK84 BOMB	WP1	41	50.625	41.5	1130	49.8	80	4116/54A	1
G495	1325012698006	49.5	14.125	12.5		94.5	5.1	1	CNU-317	793500	COMPUTER CONTROL GROUP, MAU-169E/B	MK3MP	49.5	42.375	41.875	950	50.8	9	6214415	177
G496	1325012585463	49.5	14.125	12.5		94.5	5.1	1	CNU-317	793500	COMPUTER CONTROL GROUP, MAU-169F/B	MK3MP	49.5	42.375	41.875	950	50.8	9	6214415	177
G803	1330009359283	26	9.75	11.25		32	1.7	32	WDN BOX		ADAPTER, GRENADE PROJECTION M1A2	WP1	40.5	52	50.5	1130	61.5	32	4116/67A	1
G805	1330000285829	17.0625	14.9375	15.2187		49	2.2	50	WDN BOX		ADAPTER, GRENADE PROJECTION CHEMICAL M2	WP1A	35.625	45.625	50.375	973	47.4	18	4116/67B	1
G806	1330001437120	17.0625	14.9375	15.2187		49	2.2	50	WDN BOX		ADAPTER, GRENADE PROJECTION CHEMICAL M2A1	WP1A	35.625	45.625	50.375	973	47.4	18	4116/67B	1
G811	1330001788515	18.0625	15.875	8.8438		68	1.5	50	WDN BOX		BODY, HAND GRENADE PRACTICE F/M69	WP1A	36.125	47.625	49.75	2111	49.5	30	4116/69A	1
G815	1330011245031	14.4375	12.5313	8.125		38	0.9	8	WBD BOX	7553347	GRENADE, LAUNCHER SMOKE SCREENING RP UK L8A3	WP1	43.375	50.125	38	1913	47.8	48	4116/66E	1
G826	1330011718869	12.0313	6.0938	7.5		23	0.3	4	M2A1		GRENADE, LAUNCHER SMOKE IR SCREENING M76	FBPBX	40	48	33.5	1615	37.2	63	4169/56	4
G826	1330011718869	12.0313	6.0938	7.5		23	0.3	4	M2A1		GRENADE, LAUNCHER SMOKE IR SCREENING M76	WBPBX	37.375	48.875	33.5	1787	35.4	72	4169/56	4
G837	1330000285877	16.5	12.75	7.625		68	0.9	3450	WDN BOX		CARTRIDGE, GRENADE CARBINE CAL. 30 M6	WP1A	38.25	49.5	36	2519	39.4	36	4116/68B	1
G837	1330000285877	17	9.75	8.625		53	0.8	2400	WDN BOX		CARTRIDGE, GRENADE CARBINE CAL. 30 M6	WP1	43.125	51	34.75	2478	44.2	45	4116/68C	1
G837	1330000285879	23.875	9.5	9.75		37	1.3	1600	WDN BOX		CARTRIDGE, GRENADE CARBINE CAL. 30 M6	WP1A	38	47.75	34.75	959	36.5	24	4116/68D	1
G837	1330000285883	11.875	9.5	9.75		27	0.6	900	WDN BOX		CARTRIDGE, GRENADE CARBINE CAL. 30 M6	WP1A	38	47.5	34.75	1368	36.3	48	4116/68E	1
G839	1330008924106	14.5	12.75	8.375		39	0.9	580	WBD BOX		CARTRIDGE, GRENADE RIFLE 7.62MM M64	WP1	43.5	51	39	1960	50.1	48	4116/68	1
G839	1330010774291	14.4375	12.5313	8.125		64.4	0.85	1320	WBD BOX	9362607	CARTRIDGE, GRENADE RIFLE 7.62MM M64	WP1	43.5	51	39	3163	50.1	48	4116/68	1
G841	1330001523709	14.4375	12.5312	8.125		57	0.9	2280	WBD BOX		CARTRIDGE, GRENADE RIFLE 5.56MM M195	WP1	43.5	51	39	2824	50.1	48	4116/68A	1
G841	1330007648435	14.4375	12.5312	8.125		61.6	0.9	2280	WBD BOX	12551963	CARTRIDGE, GRENADE RIFLE 5.56MM M195	WP1	43.5	51	39	2824	50.1	48	4116/68A	1
G841	1330009264011	14.4375	12.5312	8.125		57	0.9	2280	WBD BOX		CARTRIDGE, GRENADE RIFLE 5.56MM M195	WP1	43.5	51	39	2824	50.1	48	4116/68A	1
G850	1330005859362	18.75	17.25	18		59	3.4	6000	WDN BOX		CHARGE, PRACTICE HAND GRENADE F/M21 & MK2 & M30	WP1	41	54	40	820	51.2	12	4116/69	1
G870	1330000285851	26.125	16.5	11.2812		63	2.8	200	WDN BOX		FUZE, HAND GRENADE PRACTICE M205A1/M205A2	WP1A	35.25	52.25	50.625	1111	54	16	4116/71A	1
G872	1330000285853	26.125	16.5	11.2812		66	2.8	200	WDN BOX		FUZE, HAND GRENADE OFFENSIVE M206	WP1A	35.25	52.25	50.625	1159	54	16	4116/71A	1
G873	1330008623229	26.125	16.5	11.2812		57	2.8	200	WDN BOX		FUZE, HAND GRENADE PRACTICE M204A2	WP1A	35.25	52.25	50.625	1015	54	16	4116/71A	1
G874	1330002939516	17.625	17.625	15.875		73	2.9	280	PLY BOX	P13-10-80	FUZE, HAND GRENADE M201A1	WP1A	35.25	47.625	40.75	948	39.6	12	4116/71C	1
G877	1330001823570	26.375	18.1875	14.15625		90	3.9	360	WBD BOX	9251665	FUZE, HAND GRENADE M213	WP1	42.5	52.75	41.875	1167	54.3	12	4116/71	1
G877	1330001823590	26.375	18.1875	14.15625		90	3.9	360	WBD BOX		FUZE, HAND GRENADE M213	WP1	42.5	52.75	41.875	1167	54.3	12	4116/71	1
G877	1330015918976	26.375	18.1875	14.15625		90	3.9	336	WBD BOX	13023613	FUZE, HAND GRENADE M213 (WITH CONFIDENCE CLIP)	WP1	42.5	52.75	41.875	1167	54.3	12	4116/71	1
G877	1330015955043	26.375	18.1875	14.15625		90	3.9	336	WBD BOX	13023613	FUZE, HAND GRENADE M213	WP1	42.5	52.75	41.875	1167	54.3	12	4116/71	1
G878	1330001685502	26.375	18.1875	14.15625		90	3.9	360	WBD BOX	9251665	FUZE, HAND GRENADE PRACTICE M228	WP1	42.5	52.75	41.875	1167	54.3	12	4116/71	1
G878	1330015676575	26.375	18.1875	14.15625		90	3.9	336	WBD BOX	13023613	FUZE, HAND GRENADE PRACTICE M228, WITH CONFIDENCE CLIP	WP1	42.5	52.75	41.875	1167	54.3	12	4116/71	1
G878	1330015764241	26.375	18.1875	14.15625		98	3.9	360	WBD BOX	9251665	FUZE, HAND GRENADE PRACTICE M228, WITH CONFIDENCE CLIP RETROFIT	WP1	42.5	52.75	41.875	1263	54.3	12	4116/71	1
G881	1330001338244	18.9375	11.25	11.0625		51	1.4	30	WDN BOX		GRENADE, HAND FRAGMENTATION M67	WP1A	37.875	45.5	38.6875	1307	38.6	24	4116/65P	1
G883	1330011886024	18.9375	11.25	11.0625		52	1.4	30	WDN BOX		GRENADE, HAND FRAGMENTATION M67A1	WP1A	37.875	45.5	38.6875	1331	38.6	24	4116/65P	1
G884	1330006720194	16.375	13.375	7.625		30	1	16	WDN BOX		GRENADE, HAND RIOT CONTROL M7	WP1	40.125	49.125	51.25	1707	58.5	54	4116/65	1
G889	1330007825540	19.75	11.375	12.75		53	1.7	30	WDN BOX		GRENADE, HAND FRAGMENTATION M26A2	WP1A	39.5	51	51	1768	59.5	32	4116/65E	1
G890	1330000285832	17.75	16.25	7.5		57	1.3	25	WDN BOX		GRENADE, HAND FRAGMENTATION MK2	WP1A	35.5	48.75	50.5	2123	50.6	36	4116/65H	1
G890	1330000285837	17.75	16.25	7.5		60	1.3	25	WDN BOX		GRENADE, HAND FRAGMENTATION MK2 MOD 0	WP1A	35.5	48.75	50.5	2231	50.6	36	4116/65H	1
G890	1330000285839	19.75	11.375	12.75		53	1.7	30	WDN BOX		GRENADE, HAND FRAGMENTATION M26	WP1A	39.5	51	51	1768	59.5	32	4116/65E	1
G890	1330000285840	18.5	13.875	13		85	1.9	40	WDN BOX		GRENADE, HAND FRAGMENTATION M26	WP1	41.625	55.5	44.5	2382	59.5	27	4116/65K	1
G890	1330003011970	17.75	16.25	7.5		60	1.3	25	WDN BOX		GRENADE, HAND FRAGMENTATION MK2	WP1A	35.5	48.75	50.5	2231	50.6	36	4116/65H	1
G890	1330009261857	19.75	11.375	12.75		50	1.7	30	WDN BOX		GRENADE, HAND FRAGMENTATION M26A1	WP1A	39.5	51	51	1672	59.5	32	4116/65E	1
G895	1330009356092	22.375	14.25	6.75		42	1.2	24	WDN BOX		GRENADE, HAND ILLUMINATING MK1 MOD 2	WP1B	44.75	57	39.25	1777	57.9	40	4116/65M	1
G900	1330002198557	14.5	13	9		43	1	16	WDN BOX		GRENADE, HAND INCENDIARY TH3 AN-M14	WP1	43.5	52	41.5	2152	54.3	48	4116/65G	1
G910	1330000285844	25.75	13.5	6.875		37	1.4	50	WDN BOX		GRENADE, HAND OFFENSIVE MK3A1	WP1	40.5	51.5	39.875	1198	48.1	30	4116/65N	1
G910	1330000285845	25.75	13.5	6.875		54	1.4	50	WDN BOX		GRENADE, HAND OFFENSIVE MK3A1	WP1	40.5	51.5	39.875	1708	48.1	30	4116/65N	1
G910	1330000285896	25.75	13.5	6.875		54	1.4	50	WDN BOX		GRENADE, HAND OFFENSIVE MK3 SERIES	WP1	40.5	51.5	39.875	1708	48.1	30	4116/65N	1
G910	1330002034233	17.5	13.25	7.75		31	1	20	WDN BOX		GRENADE, HAND OFFENSIVE MK3A2	WP1	40	52.5	52	1762	63.2	54	4116/65D	1
G911	1330001436807	17.5	13.25	7.75		31	1	20	WDN BOX		GRENADE, HAND OFFENSIVE MK3A2	WP1	40	52.5	52	1762	63.2	54	4116/65D	1
G911	1330001942768	17.5	13.25	7.75		31	1	20	WDN BOX		GRENADE, HAND OFFENSIVE MK3A2	WP1	40	52.5	52	1762	63.2	54	4116/65D	1
G916	1330000285835	17.75	16.25	7.75		55	1.3	25	WDN BOX		GRENADE, HAND PRACTICE M21	WP1A	35.5	48.75	52	2051	52.1	36	4116/65F	1
G916	1330005455612	17.75	16.25	7.75		55	1.3	25	WDN BOX		GRENADE, HAND PRACTICE M21	WP1A	35.5	48.75	52	2051	52.1	36	4116/65F	1
G918	1330001339275	18	15	8		69	1.2	50	WDN BOX		GRENADE, HAND PRACTICE M69	WP1A	36	48	35.5	1729	35.5	24	4116/65I	1
G922	1330004776704	25	10.5	9.375		30	1.4	20	WDN BOX	D13-25-81	GRENADE, HAND RIOT CONTROL CS M47	WP1	42	50	43	1048	52.3	60	D13-25-75	1
G924	1330006456211	20.25	18.375	8.25		50	1.8	50	WDN BOX		GRENADE, HAND RIOT CONTROL CS-1 M25A2	WP1	40.5	49.5	42.25	1289	49	24	4116/65B	1
G929	1330007825515	20.25	18.375	8.25		50	1.8													

DODIC	NSN	PACK LEN	PACK WID	PACK HGT	PACK DIA	PACK WGT	PACK CUBE	RDS/ PACK	PACKAGE TYPE	PACKAGE DRAWING #	NOMENCLATURE	BASE TYPE	UNIT LOAD LEN	UNIT LOAD WID	UNIT LOAD HGT	UNIT LOAD WGT	UNIT LOAD CUBE	PKG/ UNIT LOAD	UNIT LOAD DRAWING	SECT. 2 INDEX #
G963	1330009650802	16.375	13.375	7.625		42	1	16	WDN BOX		GRENADE, HAND RIOT CONTROL CS M7A3	WP1	40.125	49.125	51.25	2355	58.5	54 4116/65	1	
G963	1330009650802	15.375	13.875	8.125		30	1	16	WDN BOX		GRENADE, HAND RIOT CONTROL CS M7A3	WP1A	41.625	46.125	46.125	1422	51.2	45 4116/65A	1	
G978	1330016004632	14.4375	12.5313	8.125		43.9	0.9	8	WBD BOX	7553347	GRENADE, LAUNCHER SMOKE SIMULANT SCREENING M82	WP1	43.375	50.125	38	2197	47.8	48 4116/66E	1	
G982	1330013800287	16.375	13.375	7.625		30	1	16	WDN BOX	D13-19-83	GRENADE, HAND SMOKE TEREPHTHALIC ACID (TA) M83	WP1	40.125	49.125	51.25	1707	58.5	54 4116/65	1	
G985	1330016170652	14.4375	12.5313	8.125		37	0.85	16	WBD BOX	13051604	GRENADE, HAND SMOKE TEREPHTHALIC ACID (TA) M83	WP1	43.375	50.125	38	1865	47.8	48 4116/65T	1	
G603	1330014499600	14.4375	12.5313	8.125		41	0.9	8	WBD BOX	7553347	GRENADE, LAUNCHER SMOKE SCREENING TA M90	WP1	43.375	50.125	38	2057	47.8	48 4116/66E	1	
GG09	1330014598141	17.5	11.5	8.125		29	0.9	12	WBD BOX	5581378	GRENADE, HAND NON-LETHAL STUN M84	WP1A	35	46	46.125	1233	43	40 4116/65R	1	
GG12	1330014938597	18.5938	9.5	14.5938		35	1.5	6	M592	10542565	GRENADE, RIFLE ENTRY MUNITION (GREM) XM100	WP1B	42	57	34.75	1021	48.1	24 4116/65Q	1	
GG16	1330015083729	17.625	17.625	15.875		73	2.9	280	PLY BOX	P13-10-80	FUZE, HAND GRENADE M201A1 MOD 2	WP1A	35.25	47.625	40.75	948	39.6	12 4116/71C	1	
GG17	1330015188785	17.5	11.5	8.125		29	0.9	12	WBD BOX	5581378	GRENADE, HAND PRACTICE M102	WP1A	35	46	46.125	1233	43	40 4116/65R	1	
GG19	1330015188781	14.4375	12.5312	8.125		27	0.9	24	WBD BOX	7553347	FUZE, GRENADE HAND NON-LETHAL (STUN) M240	WP1	43.375	50.125	38	1387	47.8	48 4116/71D	1	
GG25	1330015571954	14.4375	12.5313	8.125		37.1	0.85	12	WBD BOX	P13-19-1023	GRENADE, HAND SMOKE VISUAL RESTRICTED TERRAIN M106	WP1	43.375	50.125	38	1870	47.8	48 4116/65S	1	
GG37	1330016489824	15.75	14.5	7.4375		33	0.982	16	WDN BOX	13060862	GRENADE, HAND OFFENSIVE XM111	WP1A	37.25	47.25	49	1558	49.9	45 4116/65U	1	
GG38	1330016514358	17.125	14.9375	10.59375		70	1.568	50	WDN BOX	13059163	BODY, PRACTICE HAND GRENADE XM112	WP1	44.8125	51.375	37.25	1978	49.7	27 4116/65V	1	
GY25	1325011181606								CNU-335A		RETARDER FIN, BSU-49/B FOR MK82 BOMB		51.75	40.125	37.75	1038	45.4	12 SPI/TPO	103	
GY26	1325011295255								CNU-336A		RETARDER FIN, BSU-50/B FOR MK84 BOMB		51.75	40.125	37.75	539	45.4	2 SPI/TPO	103	
GY33	1325015266603	18.625	8.25	14.5		40	1.3	2	M548		PROXIMITY SENSOR, DSU-33C/B	MK3 MP	40.1875	49.625	35.125	1120	40.5	24 F013948480	1	
H050	1330009308945	19.5	18	11.25		80	2.3	8	WDN BOX		LAUNCHER AND GRENADES SMOKE HC AND WP M176	WP1	41.25	54	50.5	2041	65.1	24 4116/66	1	
H104	1340011223506								RP/C		ROCKET POD, 298MM M26 MLRS		166	41.5	33	5094	131.5	6 13027900	111	
H108	1340011490918								RP/C		ROCKET POD, PRACTICE 298MM M28 MLRS		166	41.5	33	5094	131.5	6 13031900	111	
H110	1340001320482	25.25	24	28		132	9.8	4	WBD BOX		ROCKET, 66MM INCENDIARY TPA M74	SK2	48	25.25	33	294	23.1	2 4138/70	2	
H110	1340001695413	25.25	24	28		132	9.8	4	WBD BOX		ROCKET, 66MM INCENDIARY TPA M74	SK2	48	25.25	33	294	23.1	2 4138/70	2	
H110	1340001695416	25.25	24	28		132	9.8	4	WBD BOX		ROCKET, 66MM INCENDIARY TPA M74	SK2	48	25.25	33	294	23.1	2 4138/70	2	
H116	1340010491882	72.8125	8.6875	9.5		138	3.5	4	WDN BOX		ROCKET, 2.75 INCH WITH WARHEAD M259 AND MOTOR MK40 MOD 0	WP1B	43.4375	72.8125	34	2164	62.2	15 4015/10C	3	
H154	1340013718611	48.5	12.25	9.375		132.5	3.2	3	WDN BOX	12624792	ROCKET, 2.75 INCH INFRARED FLARE WITH WARHEAD M278 AND FUZE M442 AND MOTOR MK66 MOD 2	WP1A	36.75	48.5	52.375	2061	54	15 4116/80P	1	
H161	1340000031102	62.8125	8.6875	9.5		127	3	4	WDN BOX		ROCKET, 2.75 INCH HE WITH WARHEAD M151 AND FUZE M440 AND MOTOR MK40 MOD 3	WP1	43.4375	62.8125	34	1988	53.7	15 4116/80C	1	
H163	1340011088851	66	8.5	9.5		142	3.1	4	WDN BOX		ROCKET, 2.75 INCH HE WITH WARHEAD M151 (HYDRA)	WP1	42.5	66	34	2215	55.2	15 4116/80N	1	
H163	1340012239188	66	8.5	9.5		142	3.1	4	WDN BOX		ROCKET, 2.75 INCH HE WITH WARHEAD M151 (HYDRA)	WP1	42.5	66	34	2215	55.2	15 4116/80N	1	
H163	1340013796215	70.75			9.25	147	3.5	4	PA151	12937856-1	ROCKET, 2.75 INCH HE WITH WARHEAD M151 AND MOTOR MK66 MOD 2	MP6	29.3125	70.75	43	2029	51.6	12 4231/61	75	
H163	1340013797246	70.75			9.25	147	3.5	4	PA151	12937856-1	ROCKET, 2.75 INCH HE WITH WARHEAD M151 AND FUZE M423 AND MOTOR MK66 MOD 1	MP6	29.3125	70.75	43	2029	51.6	12 4231/61	75	
H164	1340011102672	66	8.5	9.5		142	3.1	4	WDN BOX		ROCKET, 2.75 INCH HE WITH WARHEAD M151 (HYDRA)	WP1	42.5	66	34	2215	55.2	15 4116/80N	1	
H164	1340012239189	66	8.5	9.5		142	3.1	4	WDN BOX		ROCKET, 2.75 INCH HE WITH WARHEAD M151 (HYDRA)	WP1	42.5	66	34	2215	55.2	15 4116/80N	1	
H164	1340013796302	70.75			9.25	147	3.5	4	PA151	12937856-1	ROCKET, 2.75 INCH HE WITH WARHEAD M151 AND FUZE M433 AND MOTOR MK66 MOD 1	MP6	29.3125	70.75	43	2029	51.6	12 4231/61	75	
H164	1340013796484	70.75			9.25	147	3.5	4	PA151	12937856-1	ROCKET, 2.75 INCH HE W/WHD M151 (HYDRA)	MP6	29.3125	70.75	43	2029	51.6	12 4231/61	75	
H165	1340012691447	72.8125	8.6875	9.5		182	3.5	4	WDN BOX		ROCKET, 2.75 INCH HE WITH WARHEAD M261 AND MOTOR MK66-3	WP1B	43.4375	72.8125	34	2825	62.2	15 4116/80D	1	
H165	1340013797814	78.5	9.25	9.25		162	3.9	4	PA150	12937865	ROCKET, 2.75 INCH HE WITH WARHEAD M261 AND MOTOR MK66 MOD 3	MP7	29.3125	78.5	43	2384	57.3	12 4231/60	74	
H180	1340010261730	46.125	11.875	9.25		117	2.9	3	WDN BOX		ROCKET, 2.75 INCH HYDRA 70 ILLUMINATIO, WITH M257 WARHEAD AND MK 40 MOD 3 MOTOR	WP1A	35.625	46.125	51.75	1827	49.2	15 4116/80	1	
H181	1340012497721	48.5	12.25	9.375		132.5	3.2	3	WDN BOX	12624792	ROCKET, 2.75 INCH (HYDRA 70) ILLUMINATION WITH M257 WARHEAD AND MOTOR MK 66, MOD 1	WP1A	36.75	48.5	52.375	2061	54	15 4116/80P	1	
H182	1340012497720	48.5	12.25	9.375		132.5	3.2	3	WDN BOX	12624792	ROCKET, 2.75 INCH ILLUMINATION WITH M257 WARHEAD AND MOTOR MK66-2 (HYDRA-70)	WP1A	36.75	48.5	52.375	2061	54	15 4116/80P	1	
H183	1340012687175	48.5	12.25	9.375		132.5	3.2	3	WDN BOX	12624792	ROCKET, 2.75 INCH HYDRA 70 ILLUMINATION WITH M257 WARHEAD AND MOTOR MK 66 MOD 3	WP1A	36.75	48.5	52.375	2061	54	15 4116/80P	1	
H184	1340012894719	78.5	9.25	9.25		162	3.9	4	PA150	12937865	ROCKET, 2.75 INCH SMOKE SCREENING WITH WARHEAD M264 AND FUZE M439 AND MOTOR, ROCKET, MK 66 MOD 3	MP7	29.3125	78.5	43	2149	57.3	12 4231/60	74	
H185	1340013709666								RP/C		ROCKET POD, REDUCED RANGE PRACTICE 298MM M28A1 MLRS		166	41.5	33	5090	131.5	6 13031950	111	
H185	1340014849001								RP/C	13540620	ROCKET POD, REDUCED RANGE PRACTICE 298MM M28A2 MLRS		166	41.5	33	5020	131.5	6 13540620	111	
H186	1340013982159								RP/C		ROCKET POD, EXT RNG W/SUBMUN 298MM M26A1 MLRS		166	41.5	33	5090	131.5	6 13213750	111	
H186	1340014505876								RP/C		ROCKET POD, EXTENDED RANGE 298MM M26A2 MLRS		166	41.5	33	4990	131.5	6 13213732	111	
H309	1340012674223	48.5	12.25	9.375		142	3.2	6	WDN BOX	9357963	ROCKET MOTOR, 2.75 INCH MK66 MOD 3	WP1A	36.75	48.5	52.375	2201	54	15 4116/80M	1	
H365	1340007789485										ROCKET MOTOR, 762MM M66 (HONEST JOHN)								999	
H422	1340011047841	30.25	15.25	9.625		88	2.6	8	WDN BOX		IGNITER, ROCKET MOTOR MK296 MOD 0	WP1A	38.5	45.75	35.75	1125	36.4	12 4116/85	1	
H429	1340001024260	18.5	9.5	15		41	1.5	336	MK1		IGNITER, ROCKET MOTOR MK125 MOD 5	WP1A	37	47.5	50	1303	50.9	30 4116/85A	1	
H429	1340001024260	15.5	10.8125	14.75		39	1.4	336	MK8		IGNITER, ROCKET MOTOR MK125 MOD 5	WP1	43.25	48	49.25	1513	59.2	36 4116/85A	1	
H429	1340001024260	15.125	12.125	14.75		40	1.6	336	MK2		IGNITER, ROCKET MOTOR MK125 MOD 5	WP1A	36.375	45.5	49.25	1157	47.2	27 4116/85A	1	
H459	1340002237224	62.8125	8.6875	9.5		127	3	4	WDN BOX		RKT, 2.75 INCH APERS WITH FLECHETTE WARHEAD WDU-4A/A	WP1	43.4375	62.8125	34	1988	53.7	15 4116/80C	1	
H462	1340013095799	72.8125	8.6875	9.5		181	3.5	4	WDN BOX		ROCKET, 2.75 INCH FLECHETTE WITH WARHEAD M255E1 AND FUZE ROCKET M439 AND MOTOR MK66 MOD 2	WP1B	43.4375	72.8125	34	2810	62.2	15 4116/80D	1	
H463	1340011088849	72.8125	8.6875	9.5		182	3.5	4	WDN BOX		ROCKET, 2.75 INCH MP5M PRACTICE WITH WARHEAD M267 (HYDRA)	WP1B	43.4375	72.8125	34	2825	62.2	15 4116/80D	1	
H463	1340013796347	78.5	9.25	9.25		162	3.9	4	PA150	12937856-2	ROCKET, 2.75 INCH MP5M PRACTICE WITH WARHEAD M267 AND MOTOR MK66 MOD 1	SWP	29.5	78.5	43.5	2211	57.9	12 4326/60	159	
H463	13																			

DODIC	NSN	PACK LEN	PACK WID	PACK HGT	PACK DIA	PACK WGT	PACK CUBE	RDS/ PACK	PACKAGE TYPE	PACKAGE DRAWING #	NOMENCLATURE	BASE TYPE	UNIT LOAD LEN	UNIT LOAD WID	UNIT LOAD HGT	UNIT LOAD WGT	UNIT LOAD CUBE	PKG/ UNIT LOAD	UNIT LOAD DRAWING	SECT. 2 INDEX #
H464	1340012239187	72.8125	8.6875	9.5		182	3.5	4	WDN BOX		ROCKET, 2.75 INCH MP5M WITH WARHEAD M261 (HYDRA-70)	WP1B	43.4375	72.8125	34	2825	62.2	15	4116/80D	1
H464	1340013796350	78.5	9.25	9.25		162	3.9	4	PA150	12937865	ROCKET, 2.75 INCH MP5M HE WITH WARHEAD M261 AND MOTOR MK66 MOD 2	MP7	29.3125	78.5	43	2384	57.3	12	4231/60	74
H464	1340013797797	78.5	9.25	9.25		162	3.9	4	PA150	12937865	ROCKET, 2.75 INCH MP5M HE WITH WARHEAD M261 AND MOTOR MK66 MOD 1	MP7	29.3125	78.5	43	2384	57.3	12	4231/60	74
H470	1340009359250	62.8125	8.6875	9.5		127	3	4	WDN BOX		ROCKET, 2.75 INCH HE WITH WARHEAD M151 UNASSEMBLED	WP1	43.4375	62.8125	34	1988	53.7	15	4116/80C	1
H488	1340001437101	46.125	11.875	9.25		136	2.9	3	WDN BOX		ROCKET, 2.75 INCH HE WITH WARHEAD M229 UNASSEMBLED	WP1A	35.625	46.125	51.75	2112	49.2	15	4116/80	1
H488	1340001437106	72.8125	8.6875	9.5		201	3.5	4	WDN BOX		ROCKET, 2.75 INCH HE WITH WARHEAD M229 ASSEMBLED	WP1B	43.4375	72.8125	34	3109	62.2	15	*4116/80D	1
H488	1340001809909	72.8125	8.6875	9.5		184	3.5	4	WDN BOX		ROCKET, 2.75 INCH HE WITH WARHEAD M229 ASSEMBLED	WP1B	43.4375	72.8125	34	2855	62.2	15	4116/80D	1
H488	1340009356170	46.125	11.875	9.25		136	2.9	3	WDN BOX		ROCKET, 2.75 INCH HE WITH WARHEAD M229 UNASSEMBLED	WP1A	35.625	46.125	51.75	2112	49.2	15	4116/80	1
H489	1340001437099	62.8125	8.6875	9.5		107	3	3	WDN BOX		ROCKET, 2.75 INCH HE WITH WARHEAD M151 ASSEMBLED	WP1	43.4375	62.8125	34	1688	53.7	15	4116/80C	1
H489	1340001437100	62.8125	8.6875	9.5		127	3	4	WDN BOX		ROCKET, 2.75 INCH HE WITH WARHEAD M151 UNASSEMBLED	WP1	43.4375	62.8125	34	1988	53.7	15	4116/80C	1
H489	1340002237219	62.8125	8.6875	9.5		127	3	4	WDN BOX		ROCKET, 2.75 INCH HE WITH WARHEAD M151 ASSEMBLED	WP1	43.4375	62.8125	34	1988	53.7	15	4116/80C	1
H489	1340009356025	46.125	11.875	9.25		141	2.9	4	WDN BOX		ROCKET, 2.75 INCH HE WITH WARHEAD M151 UNASSEMBLED	WP1A	35.625	46.125	51.75	2187	49.2	15	4116/80	1
H490	1340001913306	62.8125	8.6875	9.5		127	3	4	WDN BOX		ROCKET, 2.75 INCH HE WITH WARHEAD M151 ASSEMBLED	WP1	43.4375	62.8125	34	1988	53.7	15	4116/80C	1
H490	1340007825852	46.125	11.875	9.25		141	2.9	4	WDN BOX		ROCKET, 2.75 INCH HE WITH WARHEAD M151 UNASSEMBLED	WP1A	35.625	46.125	51.75	2187	49.2	15	4116/80	1
H490	1340009261945	46.125	11.875	9.25		141	2.9	4	WDN BOX		ROCKET, 2.75 INCH HE WITH WARHEAD M151 UNASSEMBLED	WP1A	35.625	46.125	51.75	2187	49.2	15	4116/80	1
H490	1340009359252	46.125	11.875	9.25		141	2.9	4	WDN BOX		ROCKET, 2.75 INCH HE WITH WARHEAD M151 UNASSEMBLED	WP1A	35.625	46.125	51.75	2187	49.2	15	4116/80	1
H490	1340009359256	46.125	11.875	9.25		141	2.9	3	WDN BOX		ROCKET, 2.75 INCH HE WITH WARHEAD M151 ASSEMBLED	WP1A	35.625	46.125	51.75	2187	49.2	15	4116/80	1
H490	1340009359256	37.125	11.25	7.875		134	1.9	3	WDN BOX		ROCKET, 2.75 INCH HE WITH WARHEAD M151 ASSEMBLED	WP1A	37.125	46.5	52.75	3304	52.7	24	4116/80A	1
H490	1340009359257	46.125	11.875	9.25		141	2.9	3	WDN BOX		ROCKET, 2.75 INCH HE WITH WARHEAD M151 ASSEMBLED	WP1A	35.625	46.125	51.75	2187	49.2	15	4116/80	1
H490	1340009359257	62.8125	8.6875	9.5		107	3	3	WDN BOX		ROCKET, 2.75 INCH HE WITH WARHEAD M151 ASSEMBLED	WP1	43.4375	62.8125	34	1688	53.7	15	4116/80C	1
H519	1340001437107	46.125	11.875	9.25		141	2.9	4	WDN BOX		RKT, 2.75 INCH SMOKE WP WITH WARHEAD M156 UNASSEMBLED	WP1A	35.625	46.125	51.75	2187	49.2	15	4116/80	1
H519	1340001437107	46.25	11.875	9.3125		141	3	4	WDN BOX		RKT, 2.75 INCH SMOKE WP WITH WARHEAD M156 UNASSEMBLED	WP1A	35.625	46.5625	51.75	2188	49.7	15	4015/10	3
H519	1340004067327	62.8125	8.6875	9.5		141	3	4	WDN BOX		RKT, 2.75 INCH SMOKE WP WITH WARHEAD M156 ASSEMBLED	WP1	43.4375	62.8125	34	1988	53.7	15	4015/10A	3
H519	1340004067327	62.8125	8.6875	9.5		127	3	4	WDN BOX		RKT, 2.75 INCH SMOKE WP WITH WARHEAD M156 ASSEMBLED	WP1	43.4375	62.8125	34	1988	53.7	15	4116/80C	1
H519	1340009124548	46.25	11.875	9.3125		141	3	4	WDN BOX		RKT, 2.75 INCH SMOKE WP WITH WARHEAD M156 UNASSEMBLED	WP1A	35.625	46.5625	51.75	2188	49.7	15	4015/10	3
H519	1340009124548	62.8125	8.6875	9.5		127	3	4	WDN BOX		RKT, 2.75 INCH SMOKE WP WITH WARHEAD M156 UNASSEMBLED	WP1	43.4375	62.8125	34	1988	53.7	15	4116/80C	1
H520	UNAS UNAS	84.75	6	6		116	1.8	1	SRC		ROCKET, CHEMICAL FILLED 115MM GB M55	NSMP	30	84.75	22.5	1850	33.1	15	4577	64
H521	UNAS UNAS	84.75	6	6		116	1.8	1	SRC		ROCKET, CHEMICAL FILLED 115MM VX M55	NSMP	30	84.75	22.5	1850	33.1	15	4577	64
H533	1340009352062	46.125	11.875	9.25		136	2.9	0	WDN BOX		ROCKET, 2.75 INCH	WP1A	35.625	46.125	51.75	2112	49.2	15	4116/80	1
H534	1340001437115	72.8125	8.6875	9.5		134	3.5	4	WDN BOX		ROCKET, 2.75 INCH HE WITH WARHEAD M229 ASSEMBLED	WP1B	43.4375	72.8125	34	2104	62.2	15	*4116/80D	1
H534	1340009352064	46.125	11.875	9.25		136	2.9	3	WDN BOX		ROCKET, 2.75 INCH HE WITH WARHEAD M229 UNASSEMBLED	WP1A	35.625	46.125	51.75	2112	49.2	15	4116/80	1
H534	1340009356134	46.125	11.875	9.25		136	2.9	4	WDN BOX		ROCKET, 2.75 INCH HE WITH WARHEAD M229 ASSEMBLED	WP1A	35.625	46.125	51.75	2112	49.2	15	4116/80	1
H534	1340009356134	37.125	11.25	7.875		136	1.9	4	WDN BOX		ROCKET, 2.75 INCH HE WITH WARHEAD M229 ASSEMBLED	WP1A	37.125	46.5	52.75	3352	52.7	24	4116/80A	1
H553	1340009359285	33.5	31.125	13.75		118	8.3	15	WBD BOX		ROCKET, 66MM HEAT M72A2	SK10R2	41.25	33.5	36.875	398	29.5	3	4138/70A	2
H555	1340001437032	33.5	31.125	13.75		118	8.3	15	WBD BOX		ROCKET, 66MM HE M72A1	SK10R2	41.25	33.5	36.875	398	29.5	3	4138/70A	2
H555	1340007825846	33.5	31.125	13.75		118	8.3	15	WBD BOX		ROCKET, 66MM HE M72	SK10R2	41.25	33.5	36.875	398	29.5	3	4138/70A	2
H555	1340008921561	33.5	31.125	13.75		118	8.3	15	WBD BOX		ROCKET, 66MM HE M72	SK10R2	41.25	33.5	36.875	398	29.5	3	4138/70A	2
H555	1340009264086	33.5	31.125	13.75		118	8.3	15	WBD BOX		ROCKET, 66MM HE M72	SK10R2	41.25	33.5	36.875	398	29.5	3	4138/70A	2
H557	134000074889	33.5	31.125	13.75		118	8.3	15	WBD BOX		ROCKET, 66MM HE M72	SK10R2	41.25	33.5	36.875	398	29.5	3	4138/70A	2
H557	1340000214478	33.5	31.125	13.75		118	8.3	15	WBD BOX		ROCKET, 66MM HE M72A2	SK10R2	41.25	33.5	36.875	398	29.5	3	4138/70A	2
H557	1340000214480	33.5	31.125	13.75		118	8.3	15	WBD BOX		ROCKET, 66MM HE M72A2	SK10R2	41.25	33.5	36.875	398	29.5	3	4138/70A	2
H557	1340000214491	33.5	31.125	13.75		118	8.3	15	WBD BOX		ROCKET, 66MM HEAT M72A2	SK10R2	41.25	33.5	36.875	398	29.5	3	4138/70A	2
H557	1340010298012	33.5	31.125	13.75		118	8.3	15	WBD BOX		ROCKET, 66MM HEAT M72A2	SK10R2	41.25	33.5	36.875	398	29.5	3	4138/70A	2
H557	1340011162520	33.5	31.125	13.75		118	8.3	15	WBD BOX		ROCKET, 66MM HEAT M72	SK10R2	41.25	33.5	36.875	398	29.5	3	4138/70A	2
H557	1340011998683	33.5	31.125	13.75		146	8.3	15	WBD BOX		ROCKET, 66MM HEAT M72	SK10R2	41.25	33.5	36.875	480	29.5	3	4138/70A	2
H582	1340012699122	66	8.5	9.5		142	3.1	4	WDN BOX		ROCKET, 2.75 INCH HE WITH WARHEAD M151 AND FUZE M433 AND MOTOR MK66 MOD 3	WP1	42.5	66	34	2215	55.2	15	4116/80N	1
H582	1340013797798	70.75			9.25	147	3.5	4	PA151	12937856-1	ROCKET, 2.75 INCH HE W/WHD M151	MP6	29.3125	70.75	43	2029	51.6	12	4231/61	75
H583	1340012699123	66	8.5	9.5		142	3.1	4	WDN BOX		ROCKET, 2.75 WITH WARHEAD M151 AND FUZE M423 AND MOTOR MK66	WP1	42.5	66	34	2215	55.2	15	4116/80N	1
H583	1340013796277	70.75			9.25	147	3.5	4	PA151	12937856-1	ROCKET, 2.75 INCH HE WITH WARHEAD M151 AND MOTOR MK66 MOD 3	MP6	29.3125	70.75	43	2029	51.6	12	4231/61	75
H600	1340000286090	29.625	14.125	6.625		53	1.6	3	WDN BOX		ROCKET, 3.5 INCH HEAT M28A2	SK10R2	42.375	29.625	38.875	834	28.2	15	4138/78	2
H601	1340000286092	29.625	14.125	6.625		53	1.6	3	WDN BOX		ROCKET, 3.5 INCH PRACTICE M29A2	SK10R2	42.375	29.625	38.875	834	28.2	15	4138/78	2
H602	1340000286093	29.625	14.125	6.625		54	1.6	3	WDN BOX		ROCKET, 3.5 INCH SMOKE WP M30	WP1B	42.375	53	35.125	1393	45.7	24	4015/11	3
H602	1340002394085	29.625	14.125	6.625		54	1.6	3	WDN BOX		ROCKET, 3.5 INCH SMOKE WP M30	WP1B	42.375	53	35.125	1393	45.7	24	4015/11	3
H602	1340004715514	29.625																		

DODIC	NSN	PACK LEN	PACK WID	PACK HGT	PACK DIA	PACK WGT	PACK CUBE	RDS/ PACK	PACKAGE TYPE	PACKAGE DRAWING #	NOMENCLATURE	BASE TYPE	UNIT LOAD LEN	UNIT LOAD WID	UNIT LOAD HGT	UNIT LOAD WGT	UNIT LOAD CUBE	PKG/ UNIT LOAD	UNIT LOAD DRAWING	SECT. 2 INDEX #
H836	1340003095097	36.75	12.125	7.75		110	2	4	WDN BOX		WARHEAD, 2.75 INCH ROCKET HE FFAR MK1	WP1A	36.75	48.5	36.5	1831	37.6	16 4116/80E	1	
H837	134000388176	18.25	9.2969	12.75		110	1.3	14	MK12		WARHEAD, 2.75 INCH ROCKET HEAT FFAR MK5	WP1A	36.5	46.5	31	2271	30.4	20 4116/80K	1	
H837	134000388176	36.75	12.125	7.75		114	2	4	WDN BOX		WARHEAD, 2.75 INCH ROCKET HEAT FFAR MK5	WP1A	36.75	48.5	36.5	1895	37.6	16 4116/80E	1	
H837	1340003095068	15.1875	9.375	9.625		41	0.8	4	WDN BOX		WARHEAD, 2.75 INCH ROCKET HEAT FFAR MK5	WP1A	37.5	45.5625	45	2041	44.5	48 4116/80J	1	
H837	1340003095098	36.75	12.125	7.75		114	2	4	WDN BOX		WARHEAD, 2.75 INCH ROCKET HEAT FFAR MK5	WP1A	36.75	48.5	36.5	1895	37.6	16 4116/80E	1	
H841	1340007258380	20.75	8.25	9.125		58	0.9	4	WDN BOX		WARHEAD, 2.75 INCH ROCKET HE XM151	WP1	41.5	49.5	51.125	3570	60.8	60 4116/80B	1	
H842	1340002395923	46.25	11.875	9.25		178	2.9	12	WDN BOX		WARHEAD, 2.75 INCH ROCKET HE M151	WP1A	35.625	46.25	42.5	2208	40.5	12 4116/80L	1	
H842	1340007258382	20.75	8.25	9.125		59	0.9	4	WDN BOX		WARHEAD, 2.75 INCH ROCKET HE M151	WP1	41.5	49.5	51.125	3630	60.8	60 4116/80B	1	
H843	1340007259484	20.75	8.25	9.125		59	0.9	4	WDN BOX		WARHEAD, 2.75 INCH ROCKET HE M151	WP1	41.5	49.5	51.125	3630	60.8	60 4116/80B	1	
H849	1340007825849	20.8125	8.25	9.25		58	0.9	4	WDN BOX		WARHEAD, 2.75 INCH ROCKET SMOKE WP M156	WP1	41.625	49.5	51.75	3572	61.7	60 4015/10B	3	
H855	1340007825848	20.8125	8.25	9.25		58	0.9	4	WDN BOX		WARHEAD, 2.75 INCH ROCKET SMOKE WP M156	WP1	41.625	49.5	51.75	3572	61.7	60 4015/10B	3	
H872	1340012260717	20.75	8.25	9.125		59	0.9	4	WDN BOX		WARHEAD, 2.75 INCH ROCKET PRACTICE M274	WP1	41.5	49.5	51.125	3630	60.8	60 4116/80B	1	
H972	1340012382067	66	8.5	9.5		142	3.1	4	WDN BOX		ROCKET, 2.75 INCH SMOKE PRACTICE M274 (HYDRA)	WP1	42.5	66	34	2215	55.2	15 4116/80N	1	
H972	1340013797993	70.75	9.25	9.25		147	3.5	4	PA151	12937856-1	ROCKET, 2.75 INCH SMOKE PRACTICE WITH WARHEAD M274 AND MOTOR MK66 MOD 1	SWP	29.5	70.75	43.5	2010	52.6	12 4326/61	160	
H973	1340012382068	66	8.5	9.5		142	3.1	4	WDN BOX		ROCKET, 2.75 INCH PRACTICE (HYDRA-70)	WP1	42.5	66	34	2215	55.2	15 4116/80N	1	
H973	1340013798048	70.75	9.25	9.25		147	3.5	4	PA151	12937856-1	ROCKET, 2.75 INCH PRACTICE WITH WARHEAD M274 AND MOTOR MK66 MOD 2	SWP	29.5	70.75	43.5	2010	52.6	12 4326/61	160	
H974	1340012687174	72.8125	8.6875	9.5		182	3.5	4	WDN BOX		ROCKET, 2.75 INCH WITH WARHEAD PRACTICE M267 ANDFUZE ROCKET M439 AND MOTOR, MK 66 MOD 3	WP1B	43.4375	72.8125	34	2825	62.2	15 4116/80D	1	
H974	1340013797889	78.5	9.25	9.25		162	3.9	4	PA150	12937856-2	ROCKET, 2.75 INCH PRACTICE WITH WARHEAD M267 AND MOTOR MK66 MOD 3	SWP	29.5	78.5	43.5	2211	57.9	12 4326/60	159	
H975	1340012691446	66	8.5	9.5		142	3.1	4	WDN BOX		ROCKET, 2.75 INCH SMOKE PRACTICE M274 WITH MK66 MOD 3 MOTOR	WP1	42.5	66	34	2215	55.2	15 4116/80N	1	
H975	1340013797118	70.75	9.25	9.25		147	3.5	4	PA151	12937856-1	ROCKET, 2.75 INCH PRACTICE WITH WARHEAD M274 AND MOTOR MK66 MOD 3	SWP	29.5	70.75	43.5	2010	52.6	12 4326/61	160	
HA06	1340014433583	48.5	12.25	9.375		124	3.2	6	WDN BOX	12977529	WARHEAD, 2.75 INCH ROCKET FLARE M278 INFRARED ILLUMINATING WITH FUZE M442	WP1A	36.75	48.5	52.375	1933	54	15 4116/80Q	1	
HA07	1340014464096	48.5	12.25	9.375		142	3.2	6	WDN BOX	9357963	ROCKET MOTOR, 2.75 INCH MK66 MOD 4	WP1A	36.75	48.5	52.375	2201	54	15 4116/80M	1	
HA08	1340014435477	39.875				48	2	1	MET CNTR	TALLEY 52069	ROCKET AND LAUNCHER, 83MM HEDP XM141 SHOULDER-LAUNCHED MULTIPURPOSE ASSAULT WEAPON-DISPOSABLE (SMAW-D)	WP1	40	48.75	52.5	1375	59.2	25 4079/13	150	
HA09	1340014462902	72.8125	8.6875	9.5		184	3.5	4	WDN BOX		ROCKET, 2.75 INCH HE WITH WARHEAD M229 AND FUZE M423 AND MOTOR MK66 MOD 4	WP1B	43.7375	72.8125	34	2855	62.2	15 4116/80D	1	
HA10	1340014462905	48.5	12.25	9.375		132.5	3.2	3	WDN BOX	12624792	ROCKET, 2.75 INCH INFRARED FLARE WITH WARHEAD M278 AND FUZE M442 AND MOTOR MK66 MOD 4	WP1A	36.75	48.5	52.375	2061	54	15 4116/80P	1	
HA11	1340014462901	72.8125	8.6875	9.5		181	3.5	4	WDN BOX		ROCKET, 2.75 INCH FLECHETTE WITH WARHEAD M255A1 AND FUZE M439 AND MOTOR MK66 MOD 4	WP1B	43.7375	72.8125	34	2810	62.2	15 4116/80D	1	
HA11	1340015064651	78.5	9.25	9.25		162	3.9	4	PA150	12937865	ROCKET, 2.75 INCH FLECHETTE WITH WARHEAD M255A1 AND FUZE M439 AND ROCKET MOTOR MK66 MOD 4	MP7	29.3125	78.5	43	2384	57.3	12 4231/60	74	
HA12	1340014467380	70.75		9.25	154	3.5	4	PA151	12937856-1		ROCKET, 2.75 INCH HE WITH WARHEAD M151 AND FUZE M423 AND MOTOR MK66 MOD 4	MP6	29.3125	70.75	43	2113	51.6	12 4231/61	75	
HA12	1340014488889	66	8.5	9.5		142	3.1	4	WDN BOX		ROCKET, 2.75 INCH HE WITH WARHEAD M151 AND FUZE M423 AND MOTOR MK66 MOD 4	WP1	42.5	66	34	2215	55.2	15 4116/80N	1	
HA12	1340015994364	70	10.125	10.125		151.25	4.15	4	M643	13654226-1	ROCKET, 2.75 INCH HE WITH WARHEAD M151 AND FUZE M423 AND MOTOR MK66 MOD 4	MP	70	41	36.5	2117	60.6	12 4231/62	189	
HA13	1340014464094	70.75	9.25	9.25		147	3.5	4	PA151	12937856-1	ROCKET, 2.75 INCH PRACTICE WITH WARHEAD M274 AND SAFE AND ARMING DEVICE M423 AND ROCKET MOTOR MK66 MOD 4	SWP	29.5	70.75	43.5	2010	52.6	12 4326/61	160	
HA13	1340014464094	70.75		9.25	153	3.5	4	PA151	12937856-1		ROCKET, 2.75 INCH PRACTICE WITH WARHEAD M274 AND SAFE AND ARMING DEVICE M423 AND ROCKET MOTOR MK66 MOD 4	MP6	29.3125	70.75	43	2101	51.6	12 4231/61	75	
HA13	1340014491240	66	8.5	9.5		142	3.1	4	WDN BOX		ROCKET, 2.75 INCH PRACTICE WITH WARHEAD M274 AND SAFE AND ARMING DEVICE M423 AND ROCKET MOTOR MK66 MOD 4	WP1	42.5	66	34	2215	55.2	15 4116/80N	1	
HA13	1340015994908	70	10.125	10.125		150.5	4.15	4	M643	13654226-2	ROCKET, 2.75 INCH PRACTICE WITH WARHEAD M274 AND SAFE AND ARMING DEVICE M423 AND ROCKET MOTOR MK66 MOD 4	MP	70	41	36.5	2108	60.6	12 4231/62	189	
HA13	1340016286510	70	10.125	10.125		150.5	4.15	4	M643	13654226-4	ROCKET, 2.75 INCH PRACTICE WITH WARHEAD M274 AND SAFE AND ARMING DEVICE M423 AND ROCKET MOTOR MK66 MOD 4	MP	70	41	36.5	2108	60.6	12 4231/62	189	
HA14	1340014464095	78.5	9.25	9.25		162	3.9	4	PA150	12937865	ROCKET, 2.75 INCH HE WITH WARHEAD M261 AND FUZE M439 AND ROCKET MOTOR MK66 MOD 4	MP7	29.3125	78.5	43	2384	57.3	12 4231/60	74	
HA14	1340014488891	72.8125	8.6875	9.5		182	3.5	4	WDN BOX		ROCKET, 2.75 INCH HE WITH WARHEAD M261 AND FUZE M439 AND MOTOR MK66 MOD 4	WP1B	43.7375	72.8125	34	2825	62.2	15 4116/80D	1	
HA15	1340014464097	78.5	9.25	9.25		162	3.9	4	PA150	12937865	ROCKET, 2.75 INCH RED PHOSPHORUS SMOKE WITH WARHEAD M264 AND FUZE M439 AND MOTOR MK66 MOD 4	MP7	29.3125	78.5	43	2149	57.3	12 4231/60	74	
HA17	1340014487506	78.5	9.25	9.25		162	3.9	4	PA150	12937856-2	ROCKET, 2.75 INCH PRACTICE WITH WARHEAD M267 AND FUZE M439 AND MOTOR MK66 MOD 4	SWP	29.5	78.5	43.5	2211	57.9	12 4326/60	159	
HA17	1340014487507	72.8125	8.6875	9.5		182	3.5	4	WDN BOX		ROCKET, 2.75 INCH PRACTICE WITH WARHEAD M267 AND FUZE M439 AND MOTOR MK66 MOD 4	WP1B	43.7375	72.8125	34	2825	62.2	15 4116/80D	1	
HA18	1340014488890	48.5	12.25	9.375		132.5	3.2	3	WDN BOX	12624792	ROCKET, 2.75 INCH FLARE WITH WARHEAD M257 AND FUZE M442 AND MOTOR MK66 MOD 4	WP1A	36.75	48.5	52.375	2061	54	15 4116/80P	1	
HA22	1340014909695								RP/C	13540000	ROCKET POD, DPICM 298MM M30 GMLRS		166	41.5	33	5020	131.5	6 13540000	111	
HA37	1340015174757								RP/C	13540700	ROCKET POD, 298MM UNITARY M31 GMLRS		166	41.5	33	5093	131.5	6 13540700	111	
HA51	1340015435696								RP/C	13540701	ROCKET POD, 298MM UNITARY M31A1 GMLRS		166	41.5	33	5143	131.5	6 13540701	111	

DODIC	NSN	PACK LEN	PACK WID	PACK HGT	PACK DIA	PACK WGT	PACK CUBE	RDS/ PACK	PACKAGE TYPE	PACKAGE DRAWING #	NOMENCLATURE	BASE TYPE	UNIT LOAD LEN	UNIT LOAD WID	UNIT LOAD HGT	UNIT LOAD WGT	UNIT LOAD CUBE	PKG/ UNIT LOAD	UNIT LOAD DRAWING	SECT. 2 INDEX #	
JW52	1410012433838								MK607	DL26445309	MISSILE BODY, EXERCISE TM-84A-1B HARPOON		168	38	32.625	3389	120.5	2	OR-68/103	145	
JW52	1410012433854								MK607	DL26445309	MISSILE BODY, EXERCISE TM-84A-1 HARPOON		168	38	32.625	3389	120.5	2	OR-68/103	145	
JW52	1410012433856								MK607	DL26445309	MISSILE BODY, EXERCISE TM-84A-1 HARPOON		168	38	32.625	3389	120.5	2	OR-68/103	145	
JW52	1427010840139								MK607	DL26445309	MISSILE BODY, EXERCISE TM-84A-1B HARPOON		168	38	32.625		120.5	2	OR-68/103	145	
JW53	1427010840140								MK607	DL26445309	MISSILE BODY, EXERCISE TM-84A-1C HARPOON		168	38	32.625		120.5	2	OR-68/103	145	
JW54	1410010840414								MK607	DL26445309	MISSILE BODY, TRAINING TM-84A-1E HARPOON		168	38	32.625	2141	120.5	2	OR-68/103	145	
JW55	1427010840142								MK607	DL26445309	MISSILE BODY, TRAINING TM-84A-1D HARPOON		168	38	32.625		120.5	2	OR-68/103	145	
JW56	1410012433834								MK607	DL26445309	MISSILE BODY, EXERCISE TM-84A-1A HARPOON		168	38	32.625	3389	120.5	2	OR-68/103	145	
JW56	1410012433835								MK607	DL26445309	MISSILE BODY, EXERCISE TM-84A-1A HARPOON		168	38	32.625	3389	120.5	2	OR-68/103	145	
JW56	1410012433836								MK607	DL26445309	MISSILE BODY, EXERCISE TM-84A-1B HARPOON		168	38	32.625	3389	120.5	2	OR-68/103	145	
JW56	1410012433839								MK607	DL26445309	MISSILE BODY, EXERCISE TM-84A-1B HARPOON		168	38	32.625	3389	120.5	2	OR-68/103	145	
JW56	1410012433855								MK607	DL26445309	MISSILE BODY, EXERCISE TM-84A-1 HARPOON		168	38	32.625	3389	120.5	2	OR-68/103	145	
JW56	1410012433857								MK607	DL26445309	MISSILE BODY, EXERCISE TM-84A-1C HARPOON		168	38	32.625	3389	120.5	2	OR-68/103	145	
JW56	1427010840143								MK607	DL26445309	MISSILE BODY, EXERCISE TM-84A-1A HARPOON		168	38	32.625		120.5	2	OR-68/103	145	
JW57	1427010840144								MK607	DL26445309	MISSILE BODY, EXERCISE TM-84A-1A HARPOON		168	38	32.625		120.5	2	OR-68/103	145	
JW81	1420010955886								MK630	DL5165987	CAPSULE ASSEMBLY, AW99A F/HARPOON UGM-84A-1		271.875	44	39.25	2110	271.7	1	OR-68/54	152	
JW97	1410011105516								MK608	DL 2645308	BLAST TEST VEHICLE, ASROC RTM-84A-1C HARPOON		206.75	28.5	31.5	2500	107.4	1	OR-68/44	154	
JW98	1410011105517								MK632		BLAST TEST VEHICLE, F/HARPOON RTM-84A-2C		193.5	28	28.5	2216	89.4	1	OR-4/239	151	
K001	1345000285124	16.375	14.75	16.75		55	2.3	144	WDN BOX		ACTIVATOR, ANTI-TANK MINE M1	WP1	44.25	49.125	39	1068	49.1	18	4116/97	1	
K002	1345000285105	16.375	14.75	16.75		55	2.3	180	WDN BOX		ACTIVATOR, ANTI-TANK PRACTICE M1	WP1	44.25	49.125	39	1077	49.1	18	4116/97	1	
K010	1345006907338	13.25	11.25	14.875		50	1.3	20	WDN BOX		BURSTER, INCENDIARY M4	WP1A	39.25	46.125	50.5	1891	52.9	36	4116/93	1	
K020	1345003131398								CNU-79		MINE, DISPERSING SUBSYSTEM AIRCRAFT M56		116	31.375	31.25	1489	65.8	1	9256640	92	
K022	1345011608909										DISPENSER AND MINE, GROUND M131 (MOPMS)	WBPBX	34	52.5	48	1100	49.6	6	9349988	76	
K024	1345011629380										DISPENSER AND MINE, PRACTICE M136 (MOPMS)	WBPBX	34	52.5	48	1130	49.6	6	9349988	76	
K040	1345000285127	20.75	12.25		9	40	1.3	300	WDN BOX		CHARGE, SPOTTING FOR MINE AP PRACTICE M8	WP1	41.5	49	41.5	1367	48.8	32	4116/96C	1	
K042	1345012332030	59				6.875	85	1.3	2	PA113	9392425	MINE, CANISTER PRACTICE M88 (VOLCANO)	WP1	44.25	59	40	2741	60.4	30	4079/12	77
K042	1345012332030	59				6.875	88	1.5	2	PA113	9392425	MINE, CANISTER PRACTICE M88 (VOLCANO)	MP5	28.8125	59	40.5	1938	39.8	20	4231/81	78
K045	1345012332029	59				6.875	85	1	2	PA113	9392425	MINE, CANISTER HE M87 (VOLCANO)	WP1	44.25	59	40	2741	60.4	30	4079/12	77
K045	1345012332029	59				6.875	88	1.5	2	PA113	9392425	MINE, CANISTER HE M87 (VOLCANO)	MP5	28.8125	59	40.5	1938	39.8	20	4231/81	78
K050	1345000285078	16.125	14.75	13.25		45	1.8	144	WDN BOX	7548395	FUZE, MINE AT M603	WP1A	39.75	48.375	49.75	1289	55.4	27	4116/96	1	
K050	1345000285122	16.125	14.75	13.25		55	1.8	144	WDN BOX	7548395	FUZE, MINE M603	WP1A	39.75	48.375	49.75	1559	55.4	27	4116/96	1	
K051	1345000285130	16.125	14.75	13.25		62	1.8	180	WDN BOX	9347174	FUZE, MINE ANTI-TANK PRACTICE M604	WP1A	39.75	48.375	49.75	1748	55.4	27	4116/96	1	
K053	1345000285080	22.625	10.375	9.375		33	1.3	48	WDN BOX		FUZE, MINE COMBINATION M6A1 F/MINE AP M2	WP1A	37.5	45.5	36.625	864	36.2	24	4116/96A	1	
K054	1345000285079	22.625	10.375	9.375		33	1.3	48	WDN BOX		FUZE, MINE COMBINATION M7A1	WP1A	37.5	45.5	36.625	864	36.2	24	4116/96A	1	
K055	1345000285121	19.4375	12.1875	17.5938		66	2.4	180	WDN BOX		FUZE, MINE COMBINATION M10/M10A1	WP1A	38.875	48.75	40.625	1127	44.6	16	4116/96D	1	
K058	1345007175770	22.8125	13.4375	10.5		71	1.9	96	WDN BOX		FUZE, MINE COMBINATION M605 F/MINE AP M16	WP1B	42	53.75	51.125	2369	66.8	32	4116/96B	1	
K068	1345012288477	17.375	11.5	8.125		42	0.9	12	WBD BOX		FUZE, XM624 F/MINE AT M15	WP1A	35	46	46.125	1752	43	40	4116/96F	1	
K090	1345000285082	32	13.25	9.5		93	2.3	10	WDN BOX		MINE, AP M2 WITH M6A1 FUZE	SK1OR2	39.75	32	34.25	880	25.2	9	4138/87	2	
K090	1345000285083	32	13.25	9.5		93	2.3	10	WDN BOX		MINE, AP M2A1 WITH M6A1 FUZE	SK1OR2	39.75	32	34.25	880	25.2	9	4138/87	2	
K092	1345009650742	15.375	9.8125	8.25		39	0.7	4	WBD BOX		MINE, AP M16A2 WITH M605 FUZE	WP1	41.25	49.0625	36.25	2037	42.5	50	4116/95H	1	
K121	1345000285108	20	17.5625	8.9375		50	1.8	90	WDN BOX	8861849	MINE, AP M14	WP1	40	52.6875	50.1875	1588	61.2	30	4116/95S	1	
K121	1345000963093	20	17.5625	8.9375		50	1.8	90	WDN BOX	8861849	MINE, AP M14	WP1	40	52.6875	50.1875	1588	61.2	30	4116/95S	1	
K130	1345013489734								CNU-319		DISPENSER AND MINE, AIRCRAFT CBU-78(P-2)A/B		102.125	36.125	19.75	1515	42.2	2	1248AS100	91	
K131	1345013489737								CNU-319		DISPENSER AND MINE, AIRCRAFT CBU-78(P-1)A/B		102.125	36.125	19.75	1515	42.2	2	1248AS100	91	
K132	1345013587723								CNU-411		DISPENSER AND MINE, CBU-89 (D-4)/B		100	38.75	25.65	2012	57.5	2	8644300	79	
K133	1345013785528								CNU-319		DISPENSER AND MINE, AIRCRAFT CBU-78B/B GATOR		102.125	36.125	19.75	2493	42.2	2	1248AS100	91	
K139	1345004022226	15.125	10.5625	13.5		53.5	1.2	6	WBD BOX	8800900	MINE, APERS PRACTICE M68	WP1B	42.25	53.5	35.75	1826	46.8	32	4116/95A	1	
K139	1345004673621	23.875	16	12.25		62	2.7	6	WBD BOX		MINE, AP PRACTICE	WP1A	36.75	48	53.25	1187	54.4	18	4116/95C	1	
K143	1345001666378	15.125	10.5625	13.5		53	1.2	6	WBD BOX	8800900	MINE, APERS M18/T48 WITH ACCESSORIES	WP1B	42.25	53.5	35.75	1810	46.8	32	4116/95A	1	
K143	1345007106946	15.125	10.5625	13.5		53.5	1.2	6	WBD BOX	8800900	MINE, APERS M18A1 W/FIRING DEVICE M57	WP1B	42.25	53.5	35.75	1826	46.8	32	4116/95A	1	
K145	1345009263950	15.125	10.5625	13.5		40	1.2	6	WBD BOX	8800900	MINE, APERS M18A1 W/O FIRING DEVICE	WP1B	42.25	53.5	35.75	1394	46.8	32	4116/95A	1	
K146	1345006789822	21.25	12.5	9.75		60	1.5	18	WDN BOX		MINE, AP M26 BOUNDING	WP1	42.5	50	44.5	2007	54.7	32	4116/95L	1	
K151	1345010763497	27.375	14	15.125		210	3.4	40	MET BOX		MINE, APERS HE M74 (GEMSS)	WP1	43	55.75	23.125	1441	32.1	6	4116/95M	1	
K151	1345010763497	27.375	13.75	13.375		183	2.9	40	MET BOX		MINE, APERS HE M74 (GEMSS)	SK2	42.25	29.375	35.5	1222	25.5	6	4138/89	2	
K152	1345012435089	14.625	12.8125	11.9375		50	1.3	24	WDN BOX		MINE, APERS M86 PURSUIT DETERRENT MUNITIONS	WP1	43.875	51.25	53.25	2491	69.3	48	4116/95N	1	
K170	1345000285103	23.375	11.75	9.5		77	1.5	12	WDN BOX		MINE, ANTI-TANK LIGHT M7A2	WP1A	38	46.75	40.75	1920	41.9	24	4116/95	1	
K180	1345000285118	18	15	7.5		49	1.2	1	WDN BOX		MINE, ANT-TANK HEAVY M15	WP1A	37.5	45.5	41.5	1540	41	30	4116/95B	1	
K180	1345001732715	18	15	7.5		49	1.2	1	WDN BOX		MINE, AT HEAVY M15	WP1A	37.5	45.5	41.5	1540	41	30	4116/95B	1	
K180	1345011423441	18	15	7.5		49	1.2	1	WDN BOX		MINE, AT HEAVY M15	WP1A	37.5	45.5	41.5	1540	41	30	4116/95B	1	
K181	1345007294263	27.9375	12.8125	14.2187		90	2.9	4	WBD BOX		MINE, ANTI-TANK HEAVY M21	SK2	38.4375	27.9375	33.4375	573	20.8	6	4138/86B	2	
K182	1345007825513	28.125	13.875	10.75		55	2.4	2	WDN BOX		MINE, ANTI-TANK LIGHT M24	SK1OR2	41.625	28.125	38	531	25.7	9	4138/86	2	
K183	1345001823147	32.6875	22.875	12.5938		70	5.4	1	WDN BOX		MINE, AT LIGHT M66	WP1A	37.75	45.75	38.25	488	38.2	6	4116/95P	1	
K184	1345010784104	27.375	14	15.125		230	3.4	40	MET BOX		MINE, AT M75 (GEMSS)	WP1	43	55.75	23.125	1561	32.1	6	4116/95M	1	
K184	1345010784104	27.375	13.75	13.375		219	2.9	40	MET BOX		MINE, AT M75 (GEMSS)	SK2	42.25	29.375	35.5	1438	25.5	6	4138/89	2	

DODIC	NSN	PACK LEN	PACK WID	PACK HGT	PACK DIA	PACK WGT	PACK CUBE	RDS/PACK	PACKAGE TYPE	PACKAGE DRAWING #	NOMENCLATURE	BASE TYPE	UNIT LOAD LEN	UNIT LOAD WID	UNIT LOAD HGT	UNIT LOAD WGT	UNIT LOAD CUBE	PKG/UNIT LOAD	UNIT LOAD DRAWING	SECT. 2 INDEX #
K250	1345003241425	16.25	10.625	16		72	1.6	2	WDN BOX		MINE, ANTI-TANK HEAVY M19	WP1	42.5	48.75	53.5	2679	64.1	36 4116/95D	1	
K250	1345003488646	16.25	10.625	16		72	1.6	2	WDN BOX		MINE, ANTI-TANK HEAVY M19	WP1	42.5	48.75	53.5	2679	64.1	36 4116/95D	1	
K250	1345008499768	32.125	16.125	13		124	3.9	4	WBD BOX		MINE, ANTI-TANK HEAVY M19	SK2	48.375	32.125	31	790	27.9	6 4138/86A	2	
K250	1345010548874	32.125	16.125	13		124	3.9	4	WBD BOX		MINE, HEAT HEAVY M19	SK2	48.375	32.125	31	790	27.9	6 4138/86A	2	
K272	1345000285106	16.125	13.75	13.5		63	1.7	1200	WDN BOX		BOOSTER, ANTI-TANK MINE M120	WP1	41.25	48.375	46	1788	53.1	27 4116/98A	1	
K273	1345000285125	15	13.375	11.5		72	1.3	144	WDN BOX		ARMING PLUG, AT MINE M4/M4B1	WP1	40.125	48	39	2065	43.5	27 4116/94	1	
K290	1345011446444								CNU-327		DISPENSER AND MINE, CBU-89/B		100.125	40.125	23.75	2012	55.2	2 793560	125	
K290	1345011446444								CNU-411		DISPENSER AND MINE, CBU-89/B		100	38.75	25.65	1840	57.5	2 8644300	79	
K290	1345012250685								CNU-327		DISPENSER AND MINE, CBU-89/B		100.125	40.125	23.75	2012	55.2	2 793560	125	
K291	1345011610661								CNU-327		DISPENSER AND MINE, CBU-89(T-2)/B		100.125	40.125	23.75	2012	55.2	2 793560	125	
K292	1345011624297								CNU-327		DISPENSER AND MINE, CBU-89(T-4)/B		100.125	40.125	23.75	2012	55.2	2 793560	125	
K293	1345011624296								CNU-327		DISPENSER AND MINE, CBU-89(T-1)/B		100.125	40.125	23.75	2012	55.2	2 793560	125	
K294	1345011840267								CNU-327		DISPENSER AND MINE, CBU-89(D-2)/B		100.125	40.125	23.75	2012	55.2	2 793560	125	
K295	1345013415162								CNU-319		DISPENSER AND MINE, AIRCRAFT CBU-78/B GATOR		102.125	36.125	19.75	1519	42.2	2 1248AS100	91	
K296	1345013489739								CNU-319		DISPENSER AND MINE, AIRCRAFT CBU-78(P-1)/B		102.125	36.125	19.75	1534	42.2	2 1248AS100	91	
K297	1345013489736								CNU-319		DISPENSER AND MINE, AIRCRAFT CBU-78(P-2)/B		102.125	36.125	19.75	1537	42.2	2 1248AS100	91	
K299	1345012939001								CNU-411		DISPENSER AND MINE, CBU-89A/B		100	38.75	25.65	1930	57.5	2 8644300	79	
K301	1345013415160								CNU-319		DISPENSER AND MINE, AIRCRAFT CBU-78A/B GATOR		102.125	36.125	19.75	1512	42.2	2 1248AS100	91	
K511	1365013801678	15.875	14.625	15.325		48	2.1	1	WDN BOX		SMOKE POT, PRACTICE FLOATING TEREPHTHALIC ACID (TA) M8	WP1	43.875	49.125	51.625	1405	64.4	27 4116/99C	1	
K511	1365017178618	17.125	16.25	18.25		51	2.94	1	PLY BOX	P36-1-300-20	SMOKE POT, PRACTICE FLOATING TEREPHTHALIC ACID (TA) M8	WP1A	37.25	48.75	42	715	44.1	12 4116/99E	1	
K532	1365002839046									X116-6-276	DIPERSER, RIOT CONTROL CR M36								1	
K532	1365011476013	9	7.5	9		8	0.4	12	WDN BOX		DISPENSER & RIOT CONTROL AGENT, CR M36	WP1A	37.5	46.5	23.5	481	23.7	50 4116/102	1	
K532	UNAS UNAS	10.325	7.25	8.625		10	0.4	12	WDN BOX		DISPENSER & RIOT CONTROL AGENT, CR M36	WP1	43.125	51.875	20	587	25.9	50 4116/102B	1	
K758	1365010723688									MIL-R-61447	RIOT CONTROL AGENT, CR								1	
K765	1365006908656	20.5	17	11.25		45	3.5	2500	WDN BOX		RIOT CONTROL AGENT, CS CAPSULES	WP1	41	51	50.5	1168	61.1	24 4116/102C	1	
K766	1365009356016	37.25	13	19.75		55	5.5	5	WDN BOX		RIOT CONTROL AGENT, CS-2	WP1	40.25	52	45	564	54.5	8 4116/102A	1	
K768	1365009261914	37.25	13	19.75		48	5.5	5	WDN BOX		RIOT CONTROL AGENT, CS-1	WP1	40.25	52	45	499	54.5	8 4116/102A	1	
K865	1365002198512	20.75	7.75	10.5		54	1	3	WDN BOX		SMOKE POT, HC M1 (5-8 MIN BURN)	WP1	41.5	52.5	52	3329	65.6	60 4116/99D	1	
K866	1365005985207	12	12	13.125		47	1.1	1	PLY BOX		SMOKE POT, HC M5 (10-20 MIN BURN)	WP1A	36	48	44.875	1765	44.9	36 4116/99	1	
K867	1365005985220	15.875	14.625	15.325		48	2.1	1	WDN BOX		SMOKE POT, FLOATING HC M4A2	WP1	43.875	49.125	51.625	1405	64.4	27 4116/99C	1	
K867	1365010961455	18.125	16.625	17.625		50	3.1	1	WDN BOX		SMOKE POT, FLOATING HC M4A2	WP1A	36.25	49.875	40.75	670	42.6	12 4116/99A	1	
K867	1365010961455			15.5	13.875	48	1.4	1	STL DRUM		SMOKE POT, FLOATING HC M4A2	WP1	43.375	48	52.5	1470	63.3	27 4116/117	1	
K870	1365008331712			14	12.5	37	0.9	1	MET DRUM		SMOKE POT, FLOATING SGF2 AN-M7	WP1A	39	51.5	34.5	1029	40.1	24 4116/99B	1	
K873	1365000253284			14	12.5	37	0	1	MET DRUM		SMOKE POT, FLOATING AN-M7	WP1A	39	51.5	34.5	1029	40.1	24 4116/99B	1	
K885	1365000253279	24.75	14.25	9.625		45	2	200	WDN BOX		FUZE, SMOKE POT MECHANICAL M208	WP1	42.75	49.5	34.375	897	42.1	18 4116/100	1	
K885	1365015648799	26.375	18.1875	14.15625		98	3.9	360	WBD BOX	9251665	FUZE, SMOKE POT MECHANICAL M208	WP1	42.5	52.75	41.875	1263	54.3	12 4116/71	1	
K886	1365000253280	18	14.75	10.625		83	1.6	300	WDN BOX		FUZE, SMOKE POT ELECTRIC M209	WP1B	42.5	54	35	2078	46.5	24 4116/100A	1	
K886	1365000253280	17.25	14.125	9.25		79	1.3	300	WBD BOX		FUZE, SMOKE POT ELECTRIC M209	WP1	42.375	53.25	33.25	2245	43.4	27 4116/100A	1	
K910	1365002773030	20	18.25	9.75		52	2.1	6	WDN BOX		THICKENING COMPOUND, FUEL M1 5-1/4 LB CAN	WP1A	36.5	45.5	34.75	722	33.4	12 4116/101	1	
KY70	1325015484634	18.625	8.25	14.5		40	1.3	2	M548		PROXIMITY SENSOR, DSU-33D/B	MK3 MP	40.1875	49.625	35.125	1120	40.5	24 F013948480	1	
KY71	1325015486644	18.625	8.25	14.5		40	1.3	2	M548		PROXIMITY SENSOR, DUMMY DSU-33D(D-2)/B	MK3 MP	40.1875	49.625	35.125	1120	40.5	24 F013948480	1	
KY72	1325015485980	18.625	8.25	14.5		40	1.3	2	M548		PROXIMITY SENSOR, CUTAWAY DUMMY DSU-33D(D-5)/B	MK3 MP	40.1875	49.625	35.125	1120	40.5	24 F013948480	1	
L116	1370003197560	25	22.3125	17.5937		128	5.7	240	WDN BOX		SIGNAL KIT, PERSONNEL DISTRESS RED XM185	WP1	44.625	50	40.75	1109	52.6	8 4116/105C	1	
L116	1370009216172	25	22.3125	17.5937		128	5.7	240	WDN BOX		SIGNAL KIT, PERSONNEL DISTRESS RED XM185	WP1	44.625	50	40.6875	1109	52.5	8 4116/105	1	
L117	1370009269387	25	22.3125	17.5937		128	5.7	240	WDN BOX		SIGNAL KIT, PERSONNEL DISTRESS GREEN/RED/WHITE M186	WP1	44.625	50	40.6875	1109	52.5	8 4116/105	1	
L118	1370008669788	15.4375	12.4375	14.75		64	1.6	102	MK2		SIGNAL KIT, PERSONNEL DISTRESS RED MK79 MOD 0	WP1A	37.375	46.375	49.75	1800	49.9	27 4116/105B	1	
L118	1370012303974	15.4375	12.4375	14.75		64	1.6	102	MK2		SIGNAL KIT, PERSONNEL DISTRESS RED MK79 MOD 2	WP1A	37.375	46.375	49.75	1800	49.9	27 4116/105B	1	
L119	1370004907362	34.75	21.375	13		90	5.6	100	WDN BOX		SIGNAL KIT, PERSONNEL DISTRESS AP-25S-5A	WP1	42.75	52	40.25	807	51.8	8 4116/105A	1	
L119	1370004907362	34.75	21.375	13		90	5.588	200	WDN BOX	SPI F00-490-7362	SIGNAL KIT, PERSONNEL DISTRESS AP-25S-5A	WP1A	36.5	45.75	44.5	647	43	6 4116/105E	1	
L119	1370015234694	34.75	21.375	13		90	5.6	100	WDN BOX		SIGNAL KIT, PERSONNEL DISTRESS AP-25S-5B	WP1	42.75	52	40.25	807	51.8	8 4116/105A	1	
L119	1370015234694	34.75	21.375	13		90	5.588	200	WDN BOX	SPI F00-490-7362	SIGNAL KIT, PERSONNEL DISTRESS AP-25S-5B	WP1A	36.5	45.75	44.5	647	43	6 4116/105E	1	
L125	1370001155447	42.5	18.75	4.75		56	2.2	5	WDN BOX		TARGET, FALSE SUBMARINE MK2-1 W/18 INCREMENT	WP1	42.5	56.25	38.75	1262	53.6	21 4116/163	1	
L131	1370012303973	15.4375	12.4375	14.75		64	1.6	102	MK2		SIGNAL KIT, PERSONNEL DISTRESS VARI-COLORED MK135	WP1A	37.375	46.375	49.75	1800	49.9	27 4116/105B	1	
L132	1370012112564	15.4375	12.4375	14.75		64	1.6	102	MK2		SIGNAL KIT, PERSONNEL DISTRESS	WP1A	37.375	46.375	49.75	1800	49.9	27 4116/105B	1	
L133	1370012112565	15.4375	12.4375	14.75		64	1.6	102	MK2		SIGNAL KIT, ILLUMINATION, MK142 MOD 0	WP1A	37.375	46.375	49.75	1800	49.9	27 4116/105B	1	
L135	1370000285923	20.25	11.75	11.5		66	1.6	40	WDN BOX		CARTRIDGE, PHOTOFLASH M112A1 1 SECOND DELAY	WP1A	40.5	47	40	1655	44.1	24 4116/106	1	
L135	1370003226382	20.25	11.75	11.5		75	1.6	40	WDN BOX		CARTRIDGE, PHOTOFLASH M112 1 SECOND DELAY	WP1A	40.5	47	40	1655	44.1	24 4116/106	1	
L136	1370000285924	20.25	11.75	11.5		75	1.6	40	WDN BOX		CARTRIDGE, PHOTOFLASH M112 2 SECOND DELAY	WP1A	40.5	47	40	1871	44.1	24 4116/106	1	
L139	1370009010605	17.875	12.25	12.0313		75	1.5	12	WDN BOX		CARTRIDGE, PHOTOFLASH M123A1 2 SECOND DELAY	WP1A	35.75	49	53.625	2472	54.4	32 4116/106A	1	
L140	1370009010604	17.875	12.25	12.0313		75	1.5	12	WDN BOX		CARTRIDGE, PHOTOFLASH M123A1 4 SECOND DELAY	WP1A	35.75	49	53.625	2472	54.4	32 4116/106A	1	
L141	1370009010603	17.875	12.25	12.0313		75	1.5	12	WDN BOX		CARTRIDGE, PHOTOFLASH M123A1 6 SECOND DELAY	WP1A	35.75	49	53.625	2472	54.4	32 4116/106A	1	
L144	1370004296158	19.5	8.25	11.125		40	1	10	WDN BOX	SPI 00-429-6158	CARTRIDGE, PHOTOFLASH M123A1	WP1A	39	49.5	50	1998	55.9	48 4116/106B	1	
L145	1370004296159	16.1875	9.25	10.25		55	0.9	26	WDN BOX	SPI 00-429-6159	CARTRIDGE, PHOTOFLASH PRACTICE M112A1	WP1	41	48.5	51.75	3395	59.6	60 4116/106C	1	
L170	1370004907363	34.75	21.375	13		60	5.6	200	WDN BOX		SIGNAL, ILLUMINATION GROUND RED STAR	WP1	42.75	52	40.25	567	51.8	8 4116/105A	1	
L170	1370004907363	34.75	21.375	13		90	5.588	200	WDN BOX	SPI F00-490-7362	SIGNAL, ILLUMINATION GROUND RED STAR	WP1A</								

DODIC	NSN	PACK LEN	PACK WID	PACK HGT	PACK DIA	PACK WGT	PACK CUBE	RDS/ PACK	PACKAGE TYPE	PACKAGE DRAWING #	NOMENCLATURE	BASE TYPE	UNIT LOAD LEN	UNIT LOAD WID	UNIT LOAD HGT	UNIT LOAD WGT	UNIT LOAD CUBE	PKG/ UNIT LOAD	UNIT LOAD DRAWING	SECT. 2 INDEX #
L172	1370004907365	34.75	21.375	13		60	5.6	200	WDN BOX		SIGNAL, ILLUMINATION GROUND WHITE STAR	WP1	42.75	52	40.25	567	51.8	8	4116/105A	1
L172	1370004907365	34.75	21.375	13		60	5.588	100	WDN BOX		SIGNAL, ILLUMINATION GROUND WHITE STAR	WP1A	36.5	45.75	44.5	467	43	6	4116/105E	1
L190	137000384980	18.5	9.5	15		60	1.5	24	MET BOX		SIGNAL, ILLUM MARINE GREEN STAR MK1 MOD 0	WP1A	37	47.5	35.25	1272	35.9	20	4116/107G	1
L192	137000384981	18.5	9.5	15		69	1.5	24	MET BOX		SIGNAL, ILLUMINATION MARINE YELLOW STAR MK1 MOD 0	WP1A	37	47.5	35.25	1452	35.9	20	4116/107G	1
L193	137000384982	18.5	9.5	15		69	1.5	24	MET BOX		SIGNAL, ILLUMINATION MARINE RED STAR MK1 MOD 1	WP1A	37	47.5	35.25	1452	35.9	20	4116/107G	1
L201	137000384966	23.75	12	16.3125		87	2.7	50	WDN BOX		SIGNAL, SMOKE MARINE RED MK2 MOD 0	WP1A	36	47.5	38.125	1113	37.7	12	4116/107M	1
L201	137000384972	23.75	12	16.3125		105	2.7	50	WDN BOX		SIGNAL, SMOKE MARINE RED MK2 MOD 1	WP1A	36	47.5	38.125	1329	37.7	12	4116/107M	1
L201	137000384977	18.5	9.5	15		69	1.5	24	MET BOX		SIGNAL, SMOKE MARINE RED MK2 MOD 1	WP1A	37	47.5	35.25	1452	35.9	20	4116/107G	1
L201	137000929959	23.75	12	16.3125		120	2.7	50	WDN BOX		SIGNAL, SMOKE MARINE RED MK2 MOD 1	WP1A	36	47.5	38.125	1509	37.7	12	4116/107M	1
L201	1370007070580	18.5	9.5	15		69	1.5	24	MET BOX		SIGNAL, SMOKE MARINE RED MK2 MOD 1	WP1A	37	47.5	35.25	1452	35.9	20	4116/107G	1
L225	1370005298552	19.375	11.25	11.875		50	1.5	80	WDN BOX		SIGNAL, ILLUMINATION AIRCRAFT RED-RED DOUBLE STAR M37A1	WP1A	38.75	47.5	50.5	1672	53.8	32	4116/107A	1
L225	1370006182401	19.375	11.25	11.875		50	1.5	80	WDN BOX		SIGNAL, ILLUMINATION AIRCRAFT RED-RED DOUBLE STAR M37A2	WP1A	38.75	47.5	50.5	1672	53.8	32	4116/107A	1
L226	1370006185786	19.375	11.25	11.875		53	1.5	80	WDN BOX		SIGNAL, ILLUMINATION AIRCRAFT YELLOW-YELLOW DOUBLE STAR M38A2	WP1A	38.75	47.5	50.5	1768	53.8	32	4116/107A	1
L227	137000285949	19.375	11.25	11.875		53	1.5	80	WDN BOX		SIGNAL, ILLUMINATION AIRCRAFT GREEN-GREEN DOUBLE STAR M39A1	WP1A	38.75	47.5	50.5	1768	53.8	32	4116/107A	1
L227	1370005295855	19.375	11.25	11.875		53	1.5	80	WDN BOX		SIGNAL, ILLUM AIRCRAFT GRN-GRN DBL STAR M39A1	WP1A	38.75	47.5	50.5	1768	53.8	32	4116/107A	1
L227	1370006185784	19.375	11.25	11.875		53	1.5	80	WDN BOX		SIGNAL, ILLUMINATION AIRCRAFT GREEN-GREEN DOUBLE STAR M39A2	WP1A	38.75	47.5	50.5	1768	53.8	32	4116/107A	1
L227	1370008014014	19.375	11.25	11.875		53	1.5	80	WDN BOX		SIGNAL, ILLUMINATION AIRCRAFT GREEN-GREEN DOUBLE STAR M39A2	WP1A	38.75	47.5	50.5	1768	53.8	32	4116/107A	1
L228	1370000285961	19.375	11.25	11.875		53	1.5	80	WDN BOX		SIGNAL, ILLUMINATION AIRCRAFT RED-YELLOW DOUBLE STAR M40A1	WP1A	38.75	47.5	50.5	1768	53.8	32	4116/107A	1
L228	1370005419628	19.375	11.25	11.875		53	1.5	80	WDN BOX		SIGNAL, ILLUMINATION AIRCRAFT RED-YELLOW DOUBLE STAR M40A2	WP1A	38.75	47.5	50.5	1768	53.8	32	4116/107A	1
L228	1370006182403	19.375	11.25	11.875		53	1.5	80	WDN BOX		SIGNAL, ILLUMINATION AIRCRAFT RED-YELLOW DOUBLE STAR M40A2	WP1A	38.75	47.5	50.5	1768	53.8	32	4116/107A	1
L228	1370006203390	19.375	11.25	11.875		53	1.5	80	WDN BOX		SIGNAL, ILLUMINATION AIRCRAFT RED-YELLOW DOUBLE STAR M40A2	WP1A	38.75	47.5	50.5	1768	53.8	32	4116/107A	1
L229	1370000285953	19.375	11.25	11.875		53	1.5	80	WDN BOX		SIGNAL, ILLUMINATION AIRCRAFT RED-GREEN DOUBLE STAR M41	WP1A	38.75	47.5	50.5	1768	53.8	32	4116/107A	1
L229	1370000285955	19.375	11.25	11.875		53	1.5	80	WDN BOX		SIGNAL, ILLUMINATION AIRCRAFT RED-GREEN DOUBLE STAR M41A1	WP1A	38.75	47.5	50.5	1768	53.8	32	4116/107A	1
L229	1370005408500	19.375	11.25	11.875		53	1.5	80	WDN BOX		SIGNAL, ILLUMINATION AIRCRAFT RED-GREEN DOUBLE STAR M41A2	WP1A	38.75	47.5	50.5	1768	53.8	32	4116/107A	1
L229	1370005419629	19.375	11.25	11.875		53	1.5	80	WDN BOX		SIGNAL, ILLUMINATION AIRCRAFT RED-GREEN DOUBLE STAR M41A1	WP1A	38.75	47.5	50.5	1768	53.8	32	4116/107A	1
L230	1370005408505	19.375	11.25	11.875		53	1.5	80	WDN BOX		SIGNAL, ILLUMINATION AIRCRAFT GREEN-YELLOW DOUBLE STAR M42A2	WP1A	38.75	47.5	50.5	1768	53.8	32	4116/107A	1
L230	1370006185789	19.375	11.25	11.875		53	1.5	80	WDN BOX		SIGNAL, ILLUMINATION AIRCRAFT GREEN-YELLOW DOUBLE STAR M42A2	WP1A	38.75	47.5	50.5	1768	53.8	32	4116/107A	1
L231	1370000285970	19.375	11.25	11.875		50	1.5	80	WDN BOX		SIGNAL, ILLUMINATION AIRCRAFT RED STAR M43A1	WP1A	38.75	47.5	50.5	1672	53.8	32	4116/107A	1
L231	1370006185790	19.375	11.25	11.875		50	1.5	80	WDN BOX		SIGNAL, ILLUMINATION AIRCRAFT RED STAR M43A2	WP1A	38.75	47.5	50.5	1672	53.8	32	4116/107A	1
L232	1370000285974	19.375	11.25	11.875		51	1.5	80	WDN BOX		SIGNAL, ILLUMINATION AIRCRAFT YELLOW STAR M44A1	WP1A	38.75	47.5	50.5	1704	53.8	32	4116/107A	1
L232	1370006185791	19.375	11.25	11.875		51	1.5	80	WDN BOX		SIGNAL, ILLUMINATION AIRCRAFT YELLOW STAR M44A2	WP1A	38.75	47.5	50.5	1704	53.8	32	4116/107A	1
L233	1370000286597	19.375	11.25	11.875		51	1.5	80	WDN BOX		SIGNAL, ILLUMINATION AIRCRAFT GREEN STAR M45A1	WP1A	38.75	47.5	50.5	1704	53.8	32	4116/107A	1
L233	1370006182402	19.375	11.25	11.875		51	1.5	80	WDN BOX		SIGNAL, ILLUMINATION AIRCRAFT GREEN STAR M45A2	WP1A	38.75	47.5	50.5	1704	53.8	32	4116/107A	1
L234	1370006185793	19.375	11.25	11.875		53	1.5	80	WDN BOX		SIGNAL, ILLUMINATION AIRCRAFT RED-YLW DBL STAR M53A2	WP1A	38.75	47.5	50.5	1768	53.8	32	4116/107A	1
L235	1370000285978	19.375	11.25	11.875		53	1.5	80	WDN BOX		SIGNAL, ILLUMINATION AIRCRAFT RED-RED DOUBLE STAR M54A1	WP1A	38.75	47.5	50.5	1672	53.8	32	4116/107A	1
L235	1370006185794	19.375	11.25	11.875		53	1.5	80	WDN BOX		SIGNAL, ILLUMINATION AIRCRAFT RED-RED DOUBLE STAR M54A2	WP1A	38.75	47.5	50.5	1672	53.8	32	4116/107A	1
L236	1370006185774	19.375	11.25	11.875		53	1.5	80	WDN BOX		SIGNAL, ILLUMINATION AIRCRAFT GREEN-RED DOUBLE STAR M55A2	WP1A	38.75	47.5	50.5	1672	53.8	32	4116/107A	1
L237	1370000285984	19.375	11.25	11.875		53	1.5	80	WDN BOX		SIGNAL, ILLUMINATION AIRCRAFT GREEN-GREEN DOUBLE STAR M56	WP1A	38.75	47.5	50.5	1672	53.8	32	4116/107A	1
L237	1370006185775	19.375	11.25	11.875		53	1.5	80	WDN BOX		SIGNAL, ILLUMINATION AIRCRAFT GREEN-GREEN DOUBLE STAR M56A2	WP1A	38.75	47.5	50.5	1672	53.8	32	4116/107A	1
L237	1370008000409	19.375	11.25	11.875		53	1.5	80	WDN BOX		SIGNAL, ILLUMINATION AIRCRAFT GREEN-GREEN DOUBLE STAR M56	WP1A	38.75	47.5	50.5	1672	53.8	32	4116/107A	1
L237	1370008000410	19.375	11.25	11.875		53	1.5	80	WDN BOX		SIGNAL, ILLUMINATION AIRCRAFT GREEN-GREEN DOUBLE STAR M56A1	WP1A	38.75	47.5	50.5	1672	53.8	32	4116/107A	1
L238	1370006185776	19.375	11.25	11.875		53	1.5	80	WDN BOX		SIGNAL, ILLUMINATION AIRCRAFT RED-RED DOUBLE STAR M57A2	WP1A	38.75	47.5	50.5	1672	53.8	32	4116/107A	1
L239	1370000285985	19.375	11.25	11.875		53	1.5	80	WDN BOX		SIGNAL, ILLUMINATION AIRCRAFT GREEN-RED DOUBLE STAR M58A1	WP1A	38.75	47.5	50.5	1672	53.8	32	4116/107A	1
L239	1370006185777	19.375	11.25	11.875		53	1.5	80	WDN BOX		SIGNAL, ILLUMINATION AIRCRAFT GREEN-RED DOUBLE STAR M58A2	WP1A	38.75	47.5	50.5	1672	53.8	32	4116/107A	1
L239	1370006185778	19.375	11.25	11.875		53	1.5	80	WDN BOX		SIGNAL, ILLUM AIRCRAFT GRN-RED DOUBLE STAR M58	WP1A	38.75	47.5	50.5	1672	53.8	32	4116/107A	1
L272	1370001645286	18.625	8.25	14.5		50	1.3	20	M548		SIGNAL, SMOKE AND ILLUMINATION MARINE YELLOW MK99 MOD 0	WP1	40.5	49.75	49	1962	57.1	36	4116/107N	1
L273	1370000952962	18.625	8.25	14.5		50	1.3	20	M548		SIGNAL, SMOKE & ILLUM MARINE YELLOW MK99 MOD 1	WP1	40.5	49.75	49	1962	57.1	36	4116/107N	1
L273	1370003644747	18.625	8.25	14.5		50	1.3	20	M548		SIGNAL, SMOKE AND ILLUMINATION MARINE YELLOW MK99 MOD 1	WP1	40.5	49.75	49	1962	57.1	36	4116/107N	1
L275	1370000929955	8.875	6.75	6.3125		15	0.2	12	MET CAN		SIGNAL, SMOKE AND ILLUMINATION MARINE ORANGE-RED MK13 MOD 0	WP1A	35.5	45.875	11.875	458	11.2	25	4116/107V	1
L275	1370001153432	26.5	19	9		102	2.6	108	WDN BOX		SIGNAL, SMOKE AND ILLUMINATION MARINE ORANGE-RED MK13 MOD 0	WP1B	42.5	53	50.5	2224	65.8	20	4116/107D	1
L275	1370003095027	21.5	19.75	6.5		55	1.6	100	WDN BOX		SIGNAL, SMOKE AND ILLUMINATION MARINE ORANGE/RED MK13 MOD 0	WP1A	39.5	46	38	1202	40	20	4116/107T	1
L275	1370003095028	29.5	22.3125	7.625		93	2.9	108	WDN BOX		SIGNAL, SMOKE AND ILLUMINATION MARINE ORANGE/RED MK13 MOD 0	WP1B	44.625	59	51.25	2330	78.1	24	4116/107H	1
L275	1370005672817	14.5	12.75	8.75		36	0.9	36	WDN BOX		SIGNAL, SMOKE AND ILLUMINATION MARINE ORANGE/RED MK13 MOD 0	WP1	43.5	51	40.5	1816	52	48	4116/107U	1
L277	1370000963137	13.125	11.5625	12.9688		50	1.1	25	WDN BOX		SIGNAL, ILLUMINATION GROUND RED STAR M131	WP1A	39.375	46.25	44.5	1873	46.9	36		

DODIC	NSN	PACK LEN	PACK WID	PACK HGT	PACK DIA	PACK WGT	PACK CUBE	RDS/PACK	PACKAGE TYPE	PACKAGE DRAWING #	NOMENCLATURE	BASE TYPE	UNIT LOAD LEN	UNIT LOAD WID	UNIT LOAD HGT	UNIT LOAD WGT	UNIT LOAD CUBE	PKG/UNIT LOAD	UNIT LOAD DRAWING	SECT. 2 INDEX #
L283	1370011443561	14.5625	12.4375	8.125		40	0.9	36	WBD BOX		SIGNAL, SMOKE AND ILLUMINATION MARINE ORANGE/RED MK124 MOD 0	WP1	43.75	49.75	46.125	2488	58.1	60	4116/107S	1
L292	1370000929922	21.75	16.5	22.25		65	4.6	8	WDN BOX		SIGNAL, SMOKE AND ILLUMINATION AIRCRAFT WHITE-WHITE MK5 MOD 4	WP1	43.5	49.5	50	866	62.3	12	4116/107J	1
L305	1370001823408	14.875	13.375	13.25		55	1.5	36	WDN BOX		SIGNAL, ILLUMINATION GROUND GREEN STAR M195	WP1	40.125	53	50.125	2071	61.7	36	4116/107	1
L305	1370013426872	18.5938	8.2968	14.5938		55	1.3	24	M548	12900009	SIGNAL, ILLUMINATION GROUND GREEN STAR PARACHUTE M195	WP1	40.5	49.75	49	2143	57.1	36	4116/108C	1
L305	1370016547693	18.5938	8.2968	14.5938		55	1.3	24	M548	12900009	SIGNAL, ILLUMINATION GROUND GREEN STAR PARACHUTE M195	WP1	40.5	49.75	49	2143	57.1	36	4116/108C	1
L306	1370007562591	14.875	13.375	13.25		55	1.5	36	WDN BOX		SIGNAL, ILLUMINATION GROUND RED STAR CLUSTER M158	WP1	40.125	53	50.125	2071	61.7	36	4116/107	1
L306	1370013431966	18.5938	8.2968	14.5938		55	1.3	24	M548	12900009	SIGNAL, ILLUMINATION GROUND RED STAR CLUSTER M158	WP1	40.5	49.75	49	2143	57.1	36	4116/108C	1
L306	1370016242851	18.5938	8.2968	14.5938		55	1.3	24	M548	12900009	SIGNAL, ILLUMINATION GROUND RED STAR CLUSTER M158	WP1	40.5	49.75	49	2143	57.1	36	4116/108C	1
L307	1370007562588	14.875	13.375	13.25		55	1.5	36	WDN BOX		SIGNAL, ILLUMINATION GROUND WHITE STAR CLUSTER M159	WP1	40.125	53	50.125	2071	61.7	36	4116/107	1
L307	1370013454300	18.5938	8.2968	14.5938		55	1.3	24	M548	12900009	SIGNAL, ILLUMINATION GROUND WHITE STAR CLUSTER M159	WP1	40.5	49.75	49	2143	57.1	36	4116/108C	1
L307	1370016532854	18.5938	8.2968	14.5938		55	1.3	24	M548	12900009	SIGNAL, ILLUMINATION GROUND WHITE STAR CLUSTER M159	WP1	40.5	49.75	49	2143	57.1	36	4116/108C	1
L310	1370009650864	18.25	12.5	13.625		62	1.8	30	WDN BOX		SIGNAL, ILLUMINATION GROUND GREEN STAR PARA M19A1	WP1	41.25	50	42	1575	50.1	24	4116/107C	1
L311	1370006292336	14.875	13.375	13.25		55	1.5	36	WDN BOX		SIGNAL, ILLUMINATION GROUND RED STAR PARACHUTE M126A1	WP1	40.125	53	50.125	2071	61.7	36	4116/107	1
L311	1370013431965	18.5938	8.2968	14.5938		55	1.3	24	M548	12900009	SIGNAL, ILLUMINATION GROUND RED STAR PARA M126A1	WP1	40.5	49.75	49	2143	57.1	36	4116/108C	1
L311	1370016242860	18.5938	8.2968	14.5938		55	1.3	24	M548	12900009	SIGNAL, ILLUMINATION GROUND RED STAR PARACHUTE M126A1	WP1	40.5	49.75	49	2143	57.1	36	4116/108C	1
L312	1370007531859	14.875	13.375	13.25		55	1.5	36	WDN BOX		SIGNAL, ILLUMINATION GROUND WHITE STAR M127A1	WP1	40.125	53	50.125	2071	61.7	36	4116/107	1
L312	1370013415159	18.5938	8.2968	14.5938		55	1.3	24	M548	12900009	SIGNAL, ILLUMINATION GROUND WHITE STAR PARACHUTE M127A1	WP1	40.5	49.75	49	2143	57.1	36	4116/108C	1
L312	1370016529144	18.5938	8.2968	14.5938		55	1.3	24	M548	12900009	SIGNAL, ILLUMINATION GROUND WHITE STAR PARACHUTE M127A1	WP1	40.5	49.75	49	2143	57.1	36	4116/108C	1
L314	1370000963133	14.875	13.375	13.25		55	1.5	36	WDN BOX		SIGNAL, ILLUMINATION GROUND GREEN STAR CLUSTER M125	WP1	40.125	53	50.125	2071	61.7	36	*4116/107	1
L314	1370006292335	14.875	13.375	13.25		55	1.5	36	WDN BOX		SIGNAL, ILLUMINATION GROUND GREEN STAR CLUSTER M125A1	WP1	40.125	53	50.125	2071	61.7	36	4116/107	1
L314	1370013416282	18.5938	8.2968	14.5938		55	1.3	24	M548	12900009	SIGNAL, ILLUMINATION GROUND GREEN STAR CLUSTER M125A1	WP1	40.5	49.75	49	2143	57.1	36	4116/108C	1
L314	1370016522300	18.5938	8.2968	14.5938		55	1.3	24	M548	12900009	SIGNAL, ILLUMINATION GROUND GREEN STAR CLUSTER M125A1	WP1	40.5	49.75	49	2143	57.1	36	4116/108C	1
L318	1370000286001	18.25	12.5	13.75		57	1.8	30	WDN BOX		SIGNAL, SMOKE GROUND GREEN M65	WP1	41.25	50	42	1455	50.1	24	4116/108A	1
L322	1370000286000	18.25	12.5	13.75		55	1.8	30	WDN BOX		SIGNAL, SMOKE GROUND YELLOW M64	WP1	41.25	50	42	1407	50.1	24	4116/108A	1
L323	1370003011132	14.875	13.375	13.25		55	1.5	36	WDN BOX		SIGNAL, SMOKE GROUND RED PARACHUTE M129A1	WP1	40.125	53	50.125	2071	61.7	36	4116/107	1
L323	1370013423842	18.5938	8.2968	14.5938		55	1.3	24	M548	12900009	SIGNAL, SMOKE GROUND RED PARACHUTE M129A1	WP1	40.5	49.75	49	2143	57.1	36	4116/108C	1
L324	1370003011131	14.875	13.375	13.25		55	1.5	36	WDN BOX		SIGNAL, SMOKE GROUND GREEN PARACHUTE M128A1	WP1	40.125	53	50.125	2071	61.7	36	4116/107	1
L324	1370013416283	18.5938	8.2968	14.5938		55	1.3	24	M548	12900009	SIGNAL, SMOKE GROUND GREEN PARACHUTE M128A1	WP1	40.5	49.75	49	2143	57.1	36	4116/108C	1
L340	1370009261931	15.25	13.5	10.125		56	1.2	240	WDN BOX		SIGNAL, SMOKE GROUND WHITE M166	WP1	40.5	50.5	36	1768	42.6	30	4116/108	1
L341	1370009261930	15.25	13.5	10.125		56	1.2	240	WDN BOX		SIGNAL, SMOKE GROUND GREEN M167	WP1	40.5	50.5	36	1768	42.6	30	4116/108	1
L342	1370009261933	15.25	13.5	10.125		56	1.2	240	WDN BOX		SIGNAL, SMOKE GROUND RED M168	WP1	40.5	50.5	36	1768	42.6	30	4116/108	1
L343	1370009261932	15.25	13.5	10.125		56	1.2	240	WDN BOX		SIGNAL, SMOKE GROUND YELLOW M169	WP1	40.5	50	36	1768	42.2	30	4116/108	1
L366	1370000286007	19.375	11.875	11.8712		58	1.5	80	WDN BOX		SIMULATOR, PROJECTILE AIR BURST M74A1	WP1A	38.75	47.125	50.25	1928	53.1	32	4116/109	1
L367	1370010852601	22.125	10.875	9.5		55	1.3	150	WBD BOX	9344296	SIMULATOR, LAUNCHING AT GM AND ROCKET M22	WP1A	35.625	45.75	34	1100	32.1	18	4116/107F	1
L373	1370000285249	23	12.5	9.625		48	1.6	200	WDN BOX		SIMULATOR, PROJECTILE AIR BURST WITH WHITE SMOKE PUFF	WP1A	37.5	46	53.625	1514	53.5	30	4116/109A	1
L378	1370000285252	24.25	17.5	15.0625		68	3.7	2500	WDN BOX		SIMULATOR, DETONATION M80	WP1A	35	48.5	35.625	613	35	8	4116/103	1
L388	1370000285931	28.625	11.4375	6.9062		60	1.3	2	WDN BOX		FLARE, AIRCRAFT PARACHUTE YELLOW M8A1	SK1	45.75	28.625	33.375	1002	25.3	16	4138/101	2
L410	1370010482138	14.625	13.125	11.375		67	1.3	100	WBD BOX	9313716	FLARE, AIRCRAFT COUNTERMEASURE IR M206	WP1	43.875	52.5	39.625	2502	52.8	36	4116/115B	1
L411	1370002928411	43	16	8		91	3.2	2	WDN BOX	SPI F01-083-0323	FLARE, AIRCRAFT PARACHUTE WHITE LUU-2A/B	WP1	43	48	53.5	1726	63.9	2	4116/110L	1
L411	1370003510222	43	16	8		91	3.2	2	WDN BOX	SPI F01-083-0323	FLARE, AIRCRAFT PARACHUTE YELLOW PALE LUU 2/B	WP1	43	48	53.5	1726	63.9	2	4116/110L	1
L425	1370000285941	35.75	6.3125	7.2188		42	0.9	1	WDN BOX		FLARE, SURFACE AIRPORT M76	WP1A	35.75	45.75	41.625	1558	39.4	35	4116/110A	1
L429	1370010385111	18.875	16.875	11.75		62	2.2	60	WDN BOX	SPI F01-038-5111	FLARE, AIRCRAFT INFRARED MJU-7/B	WP1A	37.75	47	39.25	1188	45.1	18	4116/110F	1
L431	1370010830321	43	16	8		91	3.2	2	WDN BOX	SPI F01-083-0323	FLARE, AIRCRAFT PARACHUTE DUMMY LUU-2B(D-1)/B	WP1	43	48	53.5	1726	63.9	2	4116/110L	1
L432	1370005006878	43	16	8		91	3.2	2	WDN BOX	SPI F01-083-0323	FLARE, AIRCRAFT PARACHUTE DUMMY LUU-2A(D-1)/B	WP1	43	48	53.5	1726	63.9	2	4116/110L	1
L433	1370011878390	18.875	16.875	11.75		62	2.2	60	WDN BOX	SPI F01-038-5111	FLARE, AIRCRAFT MJU-7/B	WP1A	37.75	47	39.25	1188	45.1	18	4116/110F	1
L434	1370010736281	34.375	13	11.5		81	3	26	WDN BOX		FLARE, INFRARED COUNTERMEASURE, RR-119B/A	WP1A	35.875	46	44.5	1063	42.5	12	4116/110C	1
L440	1370010830323	43	16	8		91	3.2	2	WDN BOX	SPI F01-083-0323	FLARE, AIRCRAFT PARACHUTE WHITE LUU-2B/B	WP1	43	48	53.5	1726	63.9	2	4116/110L	1
L440	1370013313485	43	16	15		195	6	4	WDN BOX	SPI 01-331-3485	FLARE, AIRCRAFT PARACHUTE LUU-2B/B	WP1	43	48	50.5	1843	60.3	9	4116/110J	1
L440	1370014832406	43	16	15		195	6	4	WDN BOX	SPI 01-331-3485	FLARE, AIRCRAFT PARACHUTE LUU-2C/B	WP1	43	48	50.5	1843	60.3	9	4116/110J	1
L440	1370015379031	43	16	15		195	6	4	WDN BOX	SPI 01-331-3485	FLARE, AIRCRAFT PARACHUTE LUU-2D/B	WP1	43	48	50.5	1843	60.3	9	4116/110J	1
L443	1370013355053	43	16	15		195	6	4	WDN BOX	SPI 01-331-3485	FLARE, AIRCRAFT PARACHUTE LUU-4/B	WP1	43	48	50.5	1843	60.3	9	4116/110J	1
L461	1370012631602	20.5	16.375	11.75		80	2.3	24	WDN BOX	SPI012631602	FLARE, AIRCRAFT INFRARED MJU-10/B	WP1	49.125	41	40.75	1527	47.5	18	4116/110K	1
L463	1370012968395	18.875	16.875	11.75		81	2.2	60	WDN BOX	SPI F01-038-5111	FLARE, AIRCRAFT MJU-7A/B	WP1A	37.75	47	39.25	1782	45.1	18	4116/110F	1
L477	1370012080866	14.625	12.8125	8.5625		56	0.9	50	WDN BOX											

DODIC	NSN	PACK LEN	PACK WID	PACK HGT	PACK DIA	PACK WGT	PACK CUBE	RDS/PACK	PACKAGE TYPE	PACKAGE DRAWING #	NOMENCLATURE	BASE TYPE	UNIT LOAD LEN	UNIT LOAD WID	UNIT LOAD HGT	UNIT LOAD WGT	UNIT LOAD CUBE	PKG/UNIT LOAD	UNIT LOAD DRAWING	SECT. 2 INDEX #
L595	1370015981547	24.5	13.375	14		51	2.65	5	WDN BOX	13037512	SIMULATOR, PROJECTILE AIR BURST LIQUID M9	WP1	49	40.125	33.5	698	38.1	12 4116/109E	1	
L596	1370000285112	19.625	14.4375	10.9687		54	1.8	30	WDN BOX		SIMULATOR, FLASH ARTILLERY M110	WP1A	39.25	45.625	38.5	1060	39.9	18 4116/112	1	
L596	1370009351969	19.625	14.4375	10.9687		54	1.8	30	WDN BOX		SIMULATOR, FLASH ARTILLERY M110	WP1A	39.25	45.625	38.5	1060	39.9	18 4116/112	1	
L598	1370000285256	17.875	14.125	11.125		41	1.6	150	WBD BOX	8799712	SIMULATOR, BOOBY TRAP FLASH M117	WP1B	42.75	53.625	38.875	1205	51.6	27 4116/113	1	
L598	1370000285256	18.5	14.875	12.375		47	2	150	WDN BOX	8799712	SIMULATOR, BOOBY TRAP FLASH M117	WP1B	44.625	55.5	42.625	1367	61.1	27 4116/113	1	
L598	1370002839443	14.5	12.75	8.375		32	0.9	50	WBD BOX		SIMULATOR, EXPLOSIVE BOOBY TRAP FLASH M117	WP1	43.5	51	30.625	1240	39.3	36 4116/113C	1	
L598	1370015368393	20.0625	14.375	10.25		49	1.7	150	WBD BOX	13013057	SIMULATOR, BOOBY TRAP M117 FLASH WITH SAFETY CLIP	WP1	40.125	51.25	48.625	1582	59.3	30 4116/113D	1	
L599	1370000285257	18.5	14.875	12.37		47	2	150	WDN BOX	8799712	SIMULATOR, BOOBY TRAP ILLUM M118	WP1B	44.625	55.5	42.625	1367	61.1	27 4116/113	1	
L599	1370000285257	17.875	14.125	11.125		41	1.6	150	WBD BOX	8799712	SIMULATOR, BOOBY TRAP ILLUM M118	WP1B	42.75	53.625	38.875	1205	51.6	27 4116/113	1	
L599	1370015368398	20.0625	14.375	10.25		49	1.7	150	WBD BOX	13013057	SIMULATOR, BOOBY TRAP M118 ILLUMINATION WITH SAFETY CLIP	WP1	40.125	51.25	48.625	1582	59.3	30 4116/113D	1	
L600	1370000285255	18.5	13.5	10		49	1.4	150	WBD BOX	9354477	SIMULATOR, BOOBY TRAP WHISTLING M119	WP1	40.5	50	42.5	1559	49.8	30 4116/113B	1	
L600	1370015368400	20.0625	14.375	10.25		49	1.7	150	WBD BOX	13013057	SIMULATOR, BOOBY TRAP M119 WHISTLING WITH SAFETY CLIP	WP1	40.125	51.25	48.625	1582	59.3	30 4116/113D	1	
L601	1370005578460	23.125	13.0625	16.4375		56	2.87	150	WBD BOX	13023644	SIMULATOR, HAND GRENADE M116A1	WP1A	39.25	46.25	39.125	753	41.1	12 4116/114B	1	
L601	1370007528124	23	13.375	16.75		56	2.98	150	WDN BOX	12912950	SIMULATOR, HAND GRENADE M116A1	WP1	46	50.25	45.625	1256	61	18 4116/114	1	
L601	1370007528124	23.125	13.0625	16.4375		56	2.87	150	WBD BOX	13023644	SIMULATOR, HAND GRENADE M116A1	WP1A	39.25	46.25	39.125	753	41.1	12 4116/114B	1	
L602	1370010341397	22	15.875	21.0625		93	4.3	162	WDN BOX		SIMULATOR, FLASH ARTILLERY M21	WP1B	44	63.25	37.25	1212	60	12 4116/112A	1	
L602	1370011280418	22	15.875	21.0625		93	4.3	162	WDN BOX		SIMULATOR, FLASH ARTILLERY SOMM M21	WP1B	44	63.25	37.25	1212	60	12 4116/112A	1	
L605	1370004740270			35.1875	23.625	104	0	1	MET DRUM		SIMULATOR, ATOMIC EXPLOSION M142	SK2	25.25	49.5	41	311	29.7	2 4138/105	2	
L621	1370000099596	11.325	8.75	5.75		5	0.3	100	WDN BOX		STARTER, FIRE NP-3 M2	WP1A	35	45.5	40	553	36.9	96 4116/104A	1	
L621	1370002198566	21.375	10.5	8.25		35	1.1	500	WDN BOX		STARTER, FIRE NP-3 M2	WP1	42.75	52.5	38.5	1488	50	40 4116/104	1	
L630	1370011122800			13.625	11.5	45	0	1	PAIL		SIMULATOR, PROJECTILE AIRBURST LIQUID XM11	WP1A	36	47.5	34.25	1205	33.9	24 4116/116	1	
L630	1370011122800	30	13.25	11.625		28	2.7	15	WDN BOX		SIMULATOR, PROJECTILE AIRBURST LIQUID XM11	WP1B	42	60	52	808	75.8	24 4116/116	1	
L660	1370001045614	43	16	8		91	3.2	2	WDN BOX	SPI F01-083-0323	FLARE, TARGET MARKING RED LUU-1/B	WP1	43	48	53.5	1726	63.9	2 4116/110L	1	
L660	1370013356075	43	16	15		195	6	4	WDN BOX	SPI 01-331-3485	FLARE, TARGET MARKING RED LUU-1/B	WP1	43	48	50.5	1843	60.3	9 4116/110J	1	
L661	1370013351590	43	16	8		91	3.2	2	WDN BOX	SPI F01-083-0323	FLARE, TARGET MARKING GREEN LUU-5/B	WP1	43	48	53.5	1726	63.9	2 4116/110L	1	
L661	1370013356074	43	16	15		195	6	4	WDN BOX	SPI 01-331-3485	FLARE, TARGET MARKING GREEN LUU-5/B	WP1	43	48	50.5	1843	60.3	9 4116/110J	1	
L709	1370013445849	22	15.875	21.0625		93	4.3	162	WDN BOX		SIMULATOR, TARGET HIT M25	WP1B	44	63.25	37.25	1212	60	12 4116/112A	1	
L720	1370013525723	23.25	17.9375	16.3125		117	3.9	60	WDN BOX		SIMULATOR, TARGET KILL XM26	WP1A	35.875	48.9375	52	1475	52.8	12 4116/114A	1	
LA06	1370015683114	18.5938	8.2969	14.5938		39	1.3	300	M548	13023584	SIMULATOR, PYROTECHNIC MAIN TANK GUN M30	WP1	40.875	49.75	34.75	1073	40.9	24 4116/109C	1	
LA07	1370015683120	18.5938	8.2969	14.5938		40	1.3	300	M548	13023590	SIMULATOR, PYROTECHNIC DIRECT/INDIRECT FIRE CUE (DIFCUE) WITH STARS M31A1	WP1	40.875	49.75	34.75	1097	40.9	24 4116/109C	1	
LA14	1370014601684	14.625	13.125	11.375		78.5	1.3	72	WBD BOX	12988808	DECOY, INFRARED COUNTERMEASURE M211 WITH DECAL	WP1	43.875	52.5	39.625	2916	52.8	36 4116/115B	1	
LA14	1370015349804	14.625	13.125	11.375		78.5	1.3	72	WBD BOX	12988808-1	DECOY, INFRARED COUNTERMEASURE M211 WITHOUT DECAL	WP1	43.875	52.5	39.625	2916	52.8	36 4116/115B	1	
LA15	1370014601687	14.625	13.125	11.375		77	1.3	100	WBD BOX	12988845-6	FLARE, AIRCRAFT COUNTERMEASURE M212 WITH DECAL	WP1	43.875	52.5	39.625	2862	52.8	36 4116/115B	1	
LA15	1370015343060	14.625	13.125	11.375		77	1.3	100	WBD BOX	12988845-7	FLARE, AIRCRAFT COUNTERMEASURE M212 WITHOUT DECAL	WP1	43.875	52.5	39.625	2862	52.8	36 4116/115B	1	
LA19	1370014686077	14.625	13.125	11.375		72	1.3	72	WBD BOX	9313718	FLARE, INFRARED COUNTERMEASURE DECOY MJU-50/B	WP1	43.875	52.5	39.625	2682	52.8	36 4116/115B	1	
LA20	1370014686076	14.625	13.125	11.375		70	1.3		WBD BOX	9313718	FLARE, INFRARED COUNTERMEASURE DECOY MJU-51/B	WP1	43.875	52.5	39.625	2610	52.8	36 4116/115B	1	
LA21	1370015031455	12	6.09	10.31		22	0.44	18	PA19	SPI F01-038-5111	FLARE, INFRARED COUNTERMEASURE MJU-53/B	WP1	42.625	50	27.125	1387	33.5	56 4116/110N	1	
LA29	1370015379304	43	16	15		195	6	4	WDN BOX	SPI 01-331-3485	FLARE, AIRCRAFT PARACHUTE LUU-198/B	WP1	43	48	50.5	1843	60.3	9 4116/110J	1	
LA30	1370014959793	14.625	13.125	11.375		59	1.3		WBD BOX	9313718	FLARE, INFRARED COUNTERMEASURE MJU-47/B	WP1	43.875	52.5	39.625	2214	52.8	36 4116/115B	1	
LA31	1370014959790	14.625	13.125	11.375		59	1.3		WBD BOX	9313718	FLARE, INFRARED COUNTERMEASURE MJU-48/B	WP1	43.875	52.5	39.625	3657	52.8	36 4116/115B	1	
LA36	1370016585870	12	6.09	10.31		22	0.44	18	PA19	TD119534-01	FLARE, INFRARED COUNTERMEASURE MJU-62A/B 1X28 DL-231	WP1	42.625	50	27.125	1387	33.5	56 4116/110N	1	
LA43	1370015230965	12	6.09	10.31		29.8	0.44	30	PA19		DECOY, INFRARED COUNTERMEASURE, MJU-64/B	MK3 MP	42.75	49	26.25	1822	31.8	56 MS-1323/410	1	
LA43	1370015230965	12	6.09	10.31		29.8	0.44	30	PA19	3864AS100	DECOY, INFRARED COUNTERMEASURE MJU-64/B	WP1	42.625	50	27.125	1824	33.5	56 4116/110N	1	
LA45	1370017061081	20.25	11.25	11.5		35	1.52	216	WBD BOX		SIMULATOR, PROJECTILE AIRBURST EXPLOSIVE XM181	WP1	41	48	39.25	957	44.7	24 4116/114C	1	
LA47	1370017061115	20.25	11.25	11.5		35	1.52	216	WBD BOX		SIMULATOR, LAUNCHING ANTITANK GUIDED MISSILE AND ROCKET XM182	WP1	41	48	39.25	957	44.7	24 4116/114C	1	
LA53	1370015347733	20.25	11.25	11.5		35	1.52	216	WBD BOX	13106003-2	SIMULATOR, TARGET HIT WHITE STAR M35	WP1	41	48	39.25	957	44.7	24 4116/114C	1	
LA54	1370015349191	20.25	11.25	11.5		35	1.52	216	WBD BOX	13106003-3	SIMULATOR, HOSTILE FIRE M34	WP1	41	48	39.25	957	44.7	24 4116/114C	1	
LA59	1370015455650	18	15.3125	11.75		67	1.9	120	WDN BOX	13016100	FLARE, IR, AIRCRAFT, COUNTERMEASURE, XM216	WP1A	36	46	40.75	1278	39.1	18 4116/110M	1	
LA61	1370015515659	12	6.09	10.31		29.8	0.44	30	PA19	3952AS100	DECOY, INFRARED COUNTERMEASURE MJU-66/B	WP1	42.625	50	27.125	1824	33.5	56 4116/110N	1	
LA66	1370015759374	12	6.09	10.31		21	0.44	30	PA19	3976AS100	FLARE, INFRARED COUNTERMEASURE MJU-61A/B	WP1	42.625	50	27.125	1331	33.5	56 4116/110N	1	
LA67	1370015904428	12	6.09	10.31		21	0.44	30	PA19	800-024-06	FLARE, INFRARED COUNTERMEASURE MJU-71/B	WP1	42.625	50	27.125	1331	33.5	56 4116/110N	1	
LA71	1370016046463	20.25	11.25	11.5		39	1.52	216	WBD BOX	13106003-1	SIMULATOR, TARGET KILL XM175	WP1	41	48	39.25	1053	44.7	24 4116/114C	1	
LA76	1370016457400	12	6.09	10.31		38	0.44	50	PA19		FLARE, INFRARED COUNTERMEASURE MJU-73/B	WP1	42.625	50	27.125	2283	33.5	56 4116/110N	1	
LA77	1370016469354	22.125	10.875	9.5		55	1.3	150	WBD BOX	9344296	SIMULATOR, LAUNCHING AT GM AND ROCKET M22 WITH PERCHLORATE FREE FLASH COMPOSITION	WP1A	35.625	45.75	34	1100	32.1	18 4116/107F	1	
LA80	1370016515159	18.5938	8.2968	14.5938		55	1.3	24	M548	12900009	SIGNAL, ILLUMINATION GROUND RED STAR PARACHUTE M126A1	WP1	40.5	49.75	49	2143	57.1	36 4116/108C	1	
LA85	1370016703077	12	6.09	10.31		22	0.44	18	PA19		FLARE, INFRARED COUNTERMEASURE MJU-75/B	WP1	42.625	50	27.125	1387	33.5	56 4116/110N	1	
LA88	1370016776009	12	6.09	10.31		22	0.44		PA19	201825310	FLARE, IRCM 1X1 KINEMATIC MJU-76/B	WP1	42.625	50	27.125	1387	33.5	56 4116/110N	1	
LA90	1370016844571	12	6.09	10.31		22	0.44	30	PA19	4238AS100	FLARE, COUNTERMEASURE MJU-77/B	WP1	42.625	50	27.125	1387	33.5	56 4116/110N	1	
LA96	1370017087894	20.25	11.25	11.5		39	1.52	216	WBD BOX		SIMULATOR, SMOKE EFFECTS CHEMICAL AGENT SMOKE XM189	WP1	41	48	39.25	1053	44.7	24 4116/114C	1	
LA98	1370017108265	19.25	15.5	12		67	2.07	120	WDN BOX	13103077	CHAFF, COUNTERMEASURE XM20	WP1A	38.5	46.5	53.5	1680	55.4	24 4116/115F	1	
LW53	1370002499410	20	10	5</																

DODIC	NSN	PACK LEN	PACK WID	PACK HGT	PACK DIA	PACK WGT	PACK CUBE	RDS/ PACK	PACKAGE TYPE	PACKAGE DRAWING #	NOMENCLATURE	BASE TYPE	UNIT LOAD LEN	UNIT LOAD WID	UNIT LOAD HGT	UNIT LOAD WGT	UNIT LOAD CUBE	PKG/ UNIT LOAD	UNIT LOAD DRAWING	SECT. 2 INDEX #
LY15	1370004926920	11	11	10		8	0.7		4 FB BOX		FLARE KIT, DISPENSER	WPBXP	40.75	55.75	40	609	52.6	60 4169/115	4	
M020	1375007819066	14.4375	12.5313	8.125		31	0.9		12 WBD BOX		CHARGE, DEMOLITION SHAPED RDX MK45 MOD 0	WP1	43.3125	50.125	46.125	1948	58	60 4116/120M	1	
M023	1375007247040	13.75	11.5625	8		47	0.7		30 WBD BOX	8876127	CHARGE, DEMO BLOCK COMP C-4 1-1/4 LB M112	WP1	41.25	48	40.1875	2630	46	54 4116/120A	1	
M023	1375013893854	13.75	11.5625	8		47	0.7		30 WBD BOX	8876127	CHARGE, DEMOLITION BLOCK COMP C-4 1-1/4 LB M112	WP1	41.25	48	40.1875	2630	46	54 4116/120A	1	
M024	1375007285941	17.625	13.875	8		53	1.1		20 WBD BOX		CHARGE, DEMOLITION BLOCK PETN 2 LB M118	WP1A	35.25	48	33.25	1343	32.6	24 4116/120F	1	
M024	1375013993718	17.625	13.875	8		53	1.1		20 WBD BOX		CHARGE, DEMOLITION BLOCK PETN 2 LB M118	WP1A	35.25	48	33.25	1343	32.6	24 4116/120F	1	
M025	1375004516859								MET CNTR		CHARGE, DEMOLITION FLEXIBLE LINEAR (MICLIC) HE M58/M58A1		94.75	54	25	3000	74	1 8845322	82	
M025	1375009650869								MET CNTR		CHARGE, DEMOLITION FLEXIBLE LINEAR (MICLIC) HE M58		94.75	54	25	3000	74	1 8845322	82	
M026	1375000285247	65.625	15.3125	7		176	4.2		1 WDN BOX	SW020	DEMOLITION KIT, BANGALORE TORPEDO M1A1	SK1OR2	30.625	65.625	33.75	1455	39.3	8 4138/117	2	
M028	1375009261948	65.625	15.3125	8.125		198	4.7		1 WDN BOX		DEMOLITION KIT, BANGALORE TORPEDO M1A2	SK1OR2	30.625	65.625	33.75	1631	39.3	8 4138/117	2	
M029	1375009094227	31	31	4		50	2.2		20 WDN BOX		CHARGE, DEMOLITION SHAPED FLEXIBLE PETN	SK2	31	31	37.875	425	21.1	8 4138/115	2	
M029	1375010276251	31	31	4		50	2.2		20 WDN BOX		CHARGE, DEMOLITION SHAPED FLEXIBLE PETN	SK2	31	31	37.875	425	21.1	8 4138/115	2	
M030	1375005801377	18	16.625	9.75		84	1.7		192 WDN BOX		CHARGE, DEMOLITION BLOCK TNT 1/4 LB	WP1A	36	49.875	44.5	2087	46.2	24 4116/120B	1	
M030	1375009269394	18	16.625	9.75		84	1.7		192 WDN BOX		CHARGE, DEMOLITION BLOCK TNT 1/4 LB	WP1A	36	49.875	44.5	2087	0	24 4116/120B	1	
M031	1375000285140	22.5	11.25	9.625		69	1.4		100 WDN BOX		CHARGE, DEMOLITION BLOCK TNT 1/2 LB	WP1A	38.5	45.5	39.25	1788	39.8	24 4116/120	1	
M031	1375009269316	22.5	11.25	9.625		66	1.4		96 WDN BOX		CHARGE, DEMOLITION BLOCK TNT 1/2 LB	WP1A	38.5	45.5	39.25	1704	39.8	24 4116/120	1	
M032	1375000285142	22.5	11.25	9.625		71	1.4		48 WDN BOX		CHARGE, DEMOLITION BLOCK TNT 1 LB	WP1A	38.5	45.5	39.25	1776	39.8	24 4116/120	1	
M032	1375009356139	22.5	11.25	9.625		72	1.4		48 WDN BOX		CHARGE, DEMOLITION BLOCK TNT 1 LB	WP1A	38.5	45.5	39.25	1788	39.8	24 4116/120	1	
M034	1375000285147	22.5	11.25	9.625		72	1.4		8 WDN BOX		CHARGE, DEMOLITION BLOCK TNT 8 LB	WP1A	38.5	45.5	39.25	1788	39.8	24 4116/120	1	
M035	1375000285133	21.125	14.375	7.375		61	1.3		2 WDN BOX		CHARGE, DEMOLITION CHAIN 75-25 TETRYTOL 8 X 2-1/2 LB M1	WP1	24.25	51.625	34.25	1796	24.8	28 4116/120J	1	
M036	1375000285135	21.125	14.375	7.375		57	1.3		16 WDN BOX		CHARGE, DEMOLITION BLOCK 75-25 TETRYTOL 2-1/2 LB M2	WP1	42.25	51.625	34.25	1684	43.2	28 4116/120J	1	
M037	1375000285136	13.5	10	10.25		44	0.8		16 WDN BOX		CHARGE, DEMOLITION BLOCK COMP C-3 2-1/4 LB M3	WP1	40	54	36.25	2200	45.3	48 4116/120E	1	
M038	1375000285148	17.25	13.375	11.75		75	1.6		24 WDN BOX		CHARGE, DEMOLITION BLOCK COMP C-4 2-1/2 LB M5A1	WP1	40.125	51.75	52.5	2795	63.1	36 4116/120L	1	
M039	1375000285145	27.4375	8.75	9.75		59	1.4		1 WDN BOX		CHARGE, DEMOLITION CRATERING AMMONIUM NITRATE 40 LB	WP1B	43.75	54.625	34.75	1868	48.1	30 4116/120N	1	
M039	1375000285146	27.4375	8.75	9.75		59	1.4		1 WDN BOX		CHARGE, DEMOLITION CRATERING AMMONIUM NITRATE 40 LB	WP1B	43.75	54.625	34.75	1868	48.1	30 4116/120N	1	
M039	1375012506029	26.2813			8.406	59	0.9		1 M18		CHARGE, DEMOLITION CRATERING COMP H-6 40 LB	WP1	42	52.5625	47.5	3508	60.7	50 4079/11	80	
M039	1375012506029	26.2813			8.406	59	0.9		1 M18		CHARGE, DEMOLITION CRATERING COMP H-6 40 LB	WP1	44	52.5625	49	3180	65.6	50 4079/11	80	
M039	1375012506029	26.2813			8.406	59	0.9		1 M18		CHARGE, DEMOLITION CRATERING COMP H-6 40 LB	WP1	42	52.5625	47.5	3194	62.9	50 4079/11	80	
M039	1375013789669	26.2813			8.406	59	0.9		1 M18		CHARGE, DEMOLITION CRATERING COMP H-6 40 LB	WP1	42	52.5625	47.5	3508	60.7	50 4079/11	80	
M039	1375013789669	26.2813			8.406	59	0.9		1 M18		CHARGE, DEMOLITION CRATERING COMP H-6 40 LB	WP1	44	52.5625	49	3180	65.6	50 4079/11	80	
M039	1375013789669	26.2813			8.406	59	0.9		1 M18		CHARGE, DEMOLITION CRATERING COMP H-6 40 LB	WP1	42	52.5625	47.5	3194	62.9	50 4079/11	80	
M046	1375009309493	48	40	5		116	5.6		1 WDN BOX		CHARGE, DEMO FLEX LINEAR COMP A 50 LB MK8-3	WP1	40	48	40.5	897	45	7 4116/120W	1	
M060	1375009264108	20	18.5	14		115	3		3 WBD BOX		CHARGE, DEMOLITION ROLL COMP H-6 25 LB M186	WP1B	42	55.5	45.5	2169	61.4	18 4116/120K	1	
M060	1375013993720	20	18.5	14		115	3		3 WBD BOX		CHARGE, DEMOLITION ROLL COMP H-6 25 LB M186	WP1B	42	55.5	45.5	2169	61.4	18 4116/120K	1	
M072	1375004534908	12.0313	6.0938	7.5		12	0.3		12 M2A1		CHARGE, DEMOLITION PRAC SHAPED SOAP FILLER	WP1	43.5	48.75	13	437	16	28 4116/125A	1	
M078	1375001809474	25.25	14.125	9.375		80	1.9		30 WDN BOX		CAP, BLASTING ELECTRIC M4	WP1	42.375	50.5	52.375	2489	64.9	30 4116/121B	1	
M091	1375000562799	35.75	20.625	10.3125		76	4.4		500 WDN BOX	2128449	CAP, BLASTING ELECTRIC NO. 11 DELAY	WP1	41.25	51.5625	41.25	848	50.8	10 4116/121H	1	
M092	1375000562800	35.75	20.625	10.3125		76	4.4		500 WDN BOX	2128449	CAP, BLASTING ELECTRIC NO. 12 DELAY	WP1	41.25	51.5625	41.25	848	50.8	10 4116/121H	1	
M093	1375000562801	35.75	20.625	10.3125		76	4.4		500 WDN BOX	2128449	CAP, BLASTING ELECTRIC NO. 13 DELAY	WP1	41.25	51.5625	41.25	848	50.8	10 4116/121H	1	
M094	1375000562802	35.75	20.625	10.3125		76	4.4		500 WDN BOX	2128449	CAP, BLASTING ELECTRIC NO. 14 DELAY	WP1	41.25	51.5625	41.25	848	50.8	10 4116/121H	1	
M095	1375000562803	35.75	20.625	10.3125		76	4.4		500 WDN BOX	2128449	CAP, BLASTING ELECTRIC NO. 15 DELAY	WP1	41.25	51.5625	41.25	848	50.8	10 4116/121H	1	
M098	1375006218370	11	7.25	6		4	0.3		100 FB BOX		CAP, BLASTING PRACTICE-ELECTRIC	WPBXP	36.75	44.25	40	555	37.6	108 4169/121	4	
M098	1375006218370	11	7.25	6		4	0.3		100 FB BOX		CAP, BLASTING PRACTICE-ELECTRIC	FBPBP	35	45.5	37	489	34.1	90 4169/121	4	
M098	1375007838040	17.5	11.5	8.125		30	0.9		192 WBD BOX		CAP, BLASTING PRACTICE-ELECTRIC	WP1A	35	46	46.125	1276	43	40 4116/121G	1	
M101	1375005298517	35.75	20.625	10.3125		76	4.4		500 WDN BOX	2128449	CAP, BLASTING ELECTRIC NO. 1 DELAY	WP1	41.25	51.5625	41.25	848	50.8	10 4116/121H	1	
M102	1375005298518	35.75	20.625	10.3125		76	4.4		500 WDN BOX	2128449	CAP, BLASTING ELECTRIC NO. 2 DELAY	WP1	41.25	51.5625	41.25	848	50.8	10 4116/121H	1	
M103	1375005298515	35.75	20.625	10.3125		76	4.4		500 WDN BOX	2128449	CAP, BLASTING ELECTRIC NO. 3 DELAY	WP1	41.25	51.5625	41.25	848	50.8	10 4116/121H	1	
M104	1375005298520	35.75	20.625	10.3125		76	4.4		500 WDN BOX	2128449	CAP, BLASTING ELECTRIC NO. 4 DELAY	WP1	41.25	51.5625	41.25	848	50.8	10 4116/121H	1	
M107	1375005298519	35.75	20.625	10.3125		76	4.4		500 WDN BOX	2128449	CAP, BLASTING ELECTRIC NO. 5 DELAY	WP1	41.25	51.5625	41.25	848	50.8	10 4116/121H	1	
M108	1375005298521	35.75	20.625	10.3125		76	4.4		500 WDN BOX	2128449	CAP, BLASTING ELECTRIC NO. 6 DELAY	WP1	41.25	51.5625	41.25	848	50.8	10 4116/121H	1	
M109	1375000285211	18	13.375	12		58	1.7		500 WDN BOX		CAP, BLASTING ELECTRIC NO. 6 NO DELAY	WP1	40.125	54	41.5	1653	52	27 4116/121J	1	
M117	1375005298522	35.75	20.625	10.3125		76	4.4		500 WDN BOX	2128449	CAP, BLASTING ELECTRIC NO. 7 DELAY	WP1	41.25	51.5625	41.25	848	50.8	10 4116/121H	1	
M118	1375005298523	35.75	20.625	10.3125		76	4.4		500 WDN BOX	2128449	CAP, BLASTING ELECTRIC NO. 8 DELAY	WP1	41.25	51.5625	41.25	848	50.8	10 4116/121H	1	
M128	1375005298516	35.75	20.625	10.3125		76	4.4		500 WDN BOX	2128449	CAP, BLASTING ELECTRIC NO. 9 DELAY	WP1	41.25	51.5625	41.25	848	50.8	10 4116/121H	1	
M129	1375005165634	35.75	20.625	10.3125		76	4.4		500 WDN BOX	2128449	CAP, BLASTING ELECTRIC NO. 10 DELAY	WP1	41.25	51.5625	41.25	848	50.8	10 4116/121H	1	
M130	1375000285224	28.25	15.25	11.875		77	3		500 WDN BOX		CAP, BLASTING ELECTRIC M6	WP1A	35.625	45.75	33.75	762	31.8	9 4116/121K	1	

DODIC	NSN	PACK LEN	PACK WID	PACK HGT	PACK DIA	PACK WGT	PACK CUBE	RDS/PACK	PACKAGE TYPE	PACKAGE DRAWING #	NOMENCLATURE	BASE TYPE	UNIT LOAD LEN	UNIT LOAD WID	UNIT LOAD HGT	UNIT LOAD WGT	UNIT LOAD CUBE	PKG/UNIT LOAD	UNIT LOAD DRAWING	SECT. 2 INDEX #
M131	1375011932976	16.325	11.25	11.75		25	1.2	480	WDN BOX		CAP, BLASTING NON-ELECTRIC M7	WP1A	35.25	49.125	39.25	746	39.3	27 4116/121A	1	
M131	1375013151335	17.5	11.5	8.25		32	1	40	WBD BOX	5581378	CAP, BLASTING NON-ELECTRIC M7 IMPROVED PACK	WP1B	42.75	57.5	40.5	1721	57.6	50 4116/121Q	1	
M155	1377003442369	21.75	18.5	11.5		166	2.7	300	WBD BOX		FASTENER UNIT, POWDER ACTUATED TOOL	WP1A	37	45.75	40	2088	39.2	12 4116/149	1	
M162	1377003644680									2518426	CARTRIDGE, IMPULSE FOR CH-46A HEL									1
M174	1385006050253								M19A1	2128447	CARTRIDGE, .50 CAL BLANK ELECTRICALLY INITIATED									1
M187	1377005169924	20.125	18.625	17.625		79	3.8	5	WDN BOX		CARTRIDGE, IMPULSE ARD 446-1	WP1	40.25	52.875	42.75	1034	52.7	12 4116/151A	1	
M189	1377005859291	20.125	18.625	17.625		94	3.8	5	WDN BOX		CARTRIDGE, IMPULSE ARD 863-1	WP1	40.25	52.875	42.75	1214	52.7	12 4116/151A	1	
M241	1375000285171	16.75	15.125	16.625		64	2.4	50	WDN BOX		DESTRUCTOR, EXPLOSIVE UNIVERSAL M10	WP1	45.375	50.25	38.75	1239	51.1	18 4116/122	1	
M308	1377009581048	15.625	13.5	13.5		60	1.6	2000	WDN BOX		CARTRIDGE, DELAY M252 20 SECOND	WP1	40.5	54	52.375	2249	66.3	36 4116/145	1	
M420	1375000285237	33.9375	10.5937	10.5937		66	2.2	3	WDN BOX		CHARGE, DEMOLITION SHAPED COMP B 15 LB M2A3	WP1B	42.375	53	39.5	1422	51.3	20 4116/120X	1	
M420	1375000285237	33.875	9.75	10.625		66	2	3	WDN BOX		CHARGE, DEMOLITION SHAPED COMP B 15 LB M2A3	SK1	48.75	33.875	37.625	1037	36	15 4138/115A	2	
M420	1375005297698	33.9375	10.5937	10.5937		66	2.2	3	WDN BOX		CHARGE, DEMOLITION SHAPED PENTOLITE 15 LB M2A3	WP1B	42.375	53	39.5	1422	51.3	20 4116/120X	1	
M420	1375009263939	33.9375	10.5937	10.5937		66	2.2	3	WDN BOX		CHARGE, DEMOLITION SHAPED COMP B 15 LB M2A3	WP1B	42.375	53	39.5	1382	51.3	20 4116/120X	1	
M420	1375009351924	33.9375	10.5937	10.5937		66	2.2	3	WDN BOX		CHARGE, DEMOLITION SHAPED PENTOLITE 15 LB M2A3	WP1B	42.375	53	39.5	1422	51.3	20 4116/120X	1	
M420	1375010237994	22.25	20.75	17.25		104	4.6	4	WDN BOX		CHARGE, DEMOLITION SHAPED COMP B 15 LB M2A4	WP1	41.5	48	40	942	46.1	8 4116/120H	1	
M421	1375000285241	20.5	11.625	13.125		65	1.8	1	WDN BOX		CHARGE, DEMOLITION SHAPED COMP B M3	WP1	41	52.5	40.375	1647	50.3	24 4116/120D	1	
M421	1375000866991	20.5	11.625	13.125		65	1.8	1	WDN BOX		CHARGE, DEMOLITION SHAPED COMP B M3A1	WP1	41	52.5	40.375	1647	50.3	24 4116/120D	1	
M445	1375000285169	25.5	18.375	19.25		121	5.2	1	WDN BOX		DEMOLITION KIT, PROJECTED CHARGE AP M1	WP1A	38.5	51	42.25	1038	48	8 4116/125	1	
M445	1375007527745	25.5	18.375	19.25		121	5.2	1	WDN BOX		DEMOLITION KIT, PROJECTED CHARGE AP M1A1	WP1A	38.5	51	42.25	1038	48	8 4116/125	1	
M448	1375007294375	24.5	13	11		62	2	200	WDN BOX	8825213	DETONATOR, PERCUSSION 8 SECOND DELAY M2A1	WP1A	39	49	38.5	1188	42.6	18 4116/126	1	
M450	1375007294378	24.5	13	11		62	2	200	WDN BOX	8825213	DETONATOR, PERCUSSION 15 SECOND DELAY M1A2	WP1A	39	49	38.5	1188	42.6	18 4116/126	1	
M455	1375000285161	26	24.75	14.625		111	5.4	50	WDN BOX		CORD, DETONATING PETN 100 FT SPOOL	WP1	43.875	49.5	31.5	750	39.6	6 4116/127C	1	
M455	1375000285161	21	14.75	18.375		111	3.3	50	WDN BOX		CORD, DETONATING PETN 100 FT SPOOL	WP1	42	55.125	49.75	2084	66.7	18 4116/127D	1	
M455	1375000285163	26	24.75	14.625		105	5.4	8	WDN BOX		CORD, DETONATING PETN 500 FT SPOOL	WP1	43.875	49.5	31.5	714	39.6	6 4116/127C	1	
M455	1375000285164	10.125	10	10		16	0.6	1	WDN BOX		CORD, DETONATING PETN 1000 FT SPOOL	WP1	40	50.625	35.5	1049	41.6	60 4116/127E	1	
M455	1375000285166	26	24.75	14.625		110	5.4	8	WDN BOX		CORD, DETONATING PETN 1500 FT SPOOL	WP1	43.875	49.5	31.5	744	39.6	6 4116/127C	1	
M455	1375005297702	26	24.75	14.625		105	5.4	6	WDN BOX		CORD, DETONATING PETN 1000 FT SPOOL	WP1	43.875	49.5	31.5	714	39.6	6 4116/127C	1	
M456	1375000285168	26	24.75	14.625		161	5.4	8	WDN BOX		CORD, DETONATING FLEXIBLE PETN 500 FT SPOOL	WP1	43.875	49.5	31.5	1050	39.6	6 4116/127C	1	
M456	1375000285168	26	24.75	14.625		100	5.4	4000	WBD BOX		CORD, DETONATING FLEXIBLE PETN 500 FT SPOOL	WP1	43.875	49.5	31.5	685	39.6	6 4116/127K	1	
M456	1375001809356	36	11	12		77	2.8	3	WDN BOX		CORD, DETONATING FLEXIBLE PETN 1000 FT SPOOL	WP1	44	48	41.5	1322	50.7	16 4116/127B	1	
M456	1375001809356	33	11.5	12.5		82	2.74	3	WDN BOX	13042071	CORD, DETONATING FLEXIBLE PETN 1000 FT SPOOL	WP1A	37.5	46	38.5	1057	38.4	12 4116/127M	1	
M456	1375001809410	25	12.5	12.5		117	2.3	8	WDN BOX		CORD, DETONATING FLEXIBLE PETN 500 FT SPOOL	WP1A	37.5	50	43	2179	46.7	18 4116/127A	1	
M456	1375002040851	36	11	12		77	2.8	3	WDN BOX		CORD, DETONATING FLEXIBLE PETN 1000 FT SPOOL	WP1	44	48	41.5	1322	50.7	16 4116/127B	1	
M456	1375002040851	33.375	11.75	11.25		77	2.6	3	WDN BOX		CORD, DETONATING FLEXIBLE PETN 1000 FT SPOOL	WP1A	35.25	46	38.875	1008	36.5	12 4116/127G	1	
M456	1375003102677	26	24.75	14.625		105	5.4	8	WDN BOX		CORD, DETONATING FLEXIBLE PETN 500 FT SPOOL	WP1	43.875	49.5	31.5	714	39.6	6 4116/127C	1	
M456	1375010830699	30	16	14		84	3.9	2	WDN BOX		CORD, DETONATING FLEXIBLE PETN 1000 FT SPOOL	WP1B	42	60	53.5	1611	78	18 4116/127H	1	
M456	1375010830700	30	16	14		84	3.9	2	WDN BOX		CORD, DETONATING FLEXIBLE PETN 500 FT SPOOL	WP1B	42	60	53.5	1611	78	18 4116/127H	1	
M457	1375003102678	29.75	15.25	17.4375		113	4.6	2	WDN BOX		CORD, DETONATING PETN 1000 FT SPOOL	WP1B	45.75	59.5	40.375	1452	63.6	12 4116/127J	1	
M458	1375006218373	23.5	13.5	13.5		105	2.5	6	WDN BOX	8825213	CORD, DET REINFORCED DUMMY 1000 FT SPOOL	WP1A	40.5	47	32.5	1331	35.8	12 4116/127	1	
M458	1375006218373	33	11.5	12.5		82	2.74	3	WDN BOX	13042071	CORD, DET REINFORCED DUMMY 1000 FT SPOOL	WP1A	37.5	46	38.5	1057	38.4	12 4116/127M	1	
M485	1375006539754	34.875	24.125	18.375		162	8.9	48	WDN BOX		CUTTER, HE MK3 MOD 1	WP1A	36.75	48.25	40.375	716	41.4	4 4116/147	1	
M486	1375000930103	12.5	10	12.125		70	0.9	4	MET BOX		CUTTER, HE MK1 MOD 1	WP1	40	50	29.75	2328	34.4	32 4116/147A	1	
M500	1377000600885	15.75	12.875	9.625		50	1.1	80	WDN BOX	8863435	CUTTER, CARTRIDGE ACTUATED M21	WP1	40	51.5	37	1704	44.1	32 4116/146	1	
M500	1377003067922	17.375	11.5	8.125		35	0.9	40	WBD BOX		CUTTER, CARTRIDGE ACTUATED M21	WP1A	35	46	21.75	630	20.3	16 4116/146C	1	
M500	1377016227025	16.125	13.5	9.5625		50	1.204	80	WDN BOX	13102831	CUTTER, CARTRIDGE ACTUATED DEVICE M21	WP1	40.5	48.375	43.75	1888	49.6	36 4116/146D	1	
M504	1377000285412	17.5	12.75	9.5		53	1.2	100	WDN BOX		CUTTER, CARTRIDGE ACTUATED M2	WP1A	38	51	40.5	1768	45.4	32 4116/146B	1	
M504	1377000600886	15.75	14	9		50	1.1	80	WDN BOX		CUTTER, CARTRIDGE ACTUATED M22	WP1A	36	47.25	33.5	1270	33	24 4116/146A	1	
M540	1375000285173	20.5	18.875	11		59	2.5	50	WDN BOX		DETONATOR KIT, CONCUSSION M1	WP1A	37.75	46.5	49.5	1055	50.3	16 4116/124	1	
M591	1375007249613	20.625	15.1875	9.5625		117	1.7	100	WDN BOX		DYNAMITE, MILITARY M1	WP1A	41.25	45.5	43.75	2879	47.5	24 4116/133	1	
M598	1375008348884	28.5	19.5	3		55	1	1	WDN BOX		DESTROYER, CRYPTOGRAPHIC EQUIPMENT INCENDIARY TH4 M1A1	SK10R2	39	28.5	38.75	1246	24.9	22 4138/122	2	
M606	1375004607985	29.25	16.75	6.875		40	1.9	1	WDN BOX		DESTROYER, CRYPTOGRAPHIC EQUIPMENT TH4 M1A2	WP1	41.25	50.25	34.75	804	41.7	18 4116/123A	1	
M616	1375008143419	16.125	14.125	8.75		56	1.2	450	WDN BOX		FIRING DEVICE, DEMOLITION 6-14 MIN DELAY M1	WP1A	35	48.375	47.875	2088	46.9	36 4116/128B	1	
M619	1375008137154	16.125	14.125	8.75		56	1.2	450	WDN BOX		FIRING DEVICE, DEMOLITION 12-32 MIN DELAY M1	WP1A	35	48.375	47.875	2088	46.9	36 4116/128B	1	
M620	1375000285196	14.25	10.125	7.875		19	0.7	120	WDN BOX		FIRING DEVICE, DEMOLITION 45-115 MIN DELAY WHITE M1	WP1	42.75	50.625	37	1229	46.3	60 4116/128	1	
M621	1375000285197	14.25	10.125	7.875		19	0.7	120	WDN BOX		FIRING DEVICE, DEMOLITION 100-280 MIN DELAY M1	WP1	42.75	50.625	37	1229	46.3	60 4116/128	1	
M622	1375000285198	14.25	10.125	7.875		19	0.7	120	WDN BOX		FIRING DEVICE, DEMOLITION 210-570 MIN DELAY YELLOW M1	WP1	42.75	50.625	37	1229	46.3	60 4116/128	1	
M622	1375008284881	23.875	10.5	10		48	1.5	300	WDN BOX		FIRING DEVICE, DEMOLITION 210-570 MIN DELAY M1	WP1	42	48						

DODIC	NSN	PACK LEN	PACK WID	PACK HGT	PACK DIA	PACK WGT	PACK CUBE	RDS/ PACK	PACKAGE TYPE	PACKAGE DRAWING #	NOMENCLATURE	BASE TYPE	UNIT LOAD LEN	UNIT LOAD WID	UNIT LOAD HGT	UNIT LOAD WGT	UNIT LOAD CUBE	PKG/ UNIT LOAD	UNIT LOAD DRAWING	SECT. 2 INDEX #
M714	1377001172795	8.375	8.375	14.625		23	0.6	20	FB BOX		INITIATOR, M114	WPBXP	34.25	42.625	36.25	1031	30.6	40 4169/136	4	
M756	1375000285245	16.125	11.1875	12.375		57	1.3	2	WDN BOX	8883618	CHG ASSEMBLY, DEMO CHAIN C-4 M37	WP1A	37.125	48.375	50.25	2127	52.2	36 4116/120G	1	
M757	1375009263985	16.125	11.1875	12.375		57	1.3	2	WDN BOX	8883618	CHG ASSEMBLY, DEMO COMP C-4 8 X 2-1/2 LB M183	WP1A	37.125	48.375	50.25	2127	52.2	36 4116/120G	1	
M757	1375013980060	16.125	11.1875	12.375		57	1.3	2	WDN BOX	8883618	CHARGE ASSEMBLY, DEMOLITION COMP C-4 8 X 2-1/2 LB M183	WP1A	37.125	48.375	50.25	2127	52.2	36 4116/120G	1	
M765	1375000285193	37	18.5	10		63	4	2500	WDN BOX		IGNITER, TIME BLASTING FUSE M1	SK10R2	37	37	35.75	407	28.3	6 4138/121	2	
M766	1375000285200	22.9375	11.75	7.8125		50	1.2	250	WDN BOX		IGNITER, TIME BLASTING FUSE M2	WP1A	35.25	45.875	36.75	1270	34.4	24 4116/131A	1	
M766	1375002839452	14.4375	12.5313	8.125		27.34	0.8	60	WBD BOX	2128182	IGNITER, TIME BLASTING FUSE M2/M60	WP1	43.375	50.125	38	1401	47.8	48 4116/131B	1	
M766	1375005299032	22.3125	12.5	8.0625		47	1.3	250	WDN BOX		IGNITER, TIME BLASTING FUSE M2	WP1A	37.5	46.125	45.875	1500	45.9	30 4116/131C	1	
M766	1375006911671	21.1875	11.625	12.75		63	1.8	300	WDN BOX	8822125	IGNITER, TIME BLASTING FUSE M60	WP1	42.375	51	52	2104	65	32 4116/131	1	
M784	1375004337778	22.75	8.125	11.1875		25	1.2	1	PLY BOX		CHARGE, DEMOLITION PRACTICE MK3 MOD 1	WP1	44.75	48.75	51	1290	64.4	48 4116/120R	1	
M784	1375004337778	19	9.625	6.875		51	0.7	1	WDN BOX		CHARGE, DEMOLITION PRACTICE MK3 MOD 1	WP1A	38	48.125	39.625	2622	41.9	50 4116/120P	1	
M792	1375008347297	26.75	16.125	18.8125		67	4.7	2	WDN BOX		CHG ASSEMBLY, DEMO COMP C-4 10 X 2 LB MK138	WP1	40.625	53.5	37.75	649	47.5	8 4116/120T	1	
M792	1375008347297	32	16	8.375		67	2.5	2	WDN BOX		CHG ASSEMBLY, DEMO COMP C-4 10 X 2 LB MK138	SK2	48	32	46.875	1043	41.7	15 4138/115B	2	
M810	1375000285202	19	10	9		24	1	5000	WDN BOX		PRIMER, PERCUSSION CAP M3	WP1	41	54	35.5	990	45.5	36 4116/132	1	
M810	1375000285203	18.0625	11.4375	9.6562		36	1.2	10000	WDN BOX		PRIMER, PERCUSSION CAP M3	WP1A	38.625	45.75	41.625	1208	42.6	32 4116/132A	1	
M810	1375004131550	17.5	11.9375	7.9375		33	1	3600	WBD BOX		PRIMER, PERCUSSION CAP M2/M3	WP1A	35	47.75	37.25	1127	36	32 4116/132B	1	
M810	1375005298661	18.0625	11.4375	9.6562		36	1.2	5000	WDN BOX		PRIMER, PERCUSSION CAP M2	WP1A	38.625	45.75	41.625	1208	42.6	32 4116/132A	1	
M814	1375000780450	0	0	34.5		275	0	1	MET DRUM		DOCUMENT DESTROYER, EMERGENCY INCENDIARY M4	SPSK2	50.5	25.75	41	660	30.9	2 4138/123	2	
M832	1375010041083	14.625	12.75	9.125		26	1	4	WBD BOX		CHARGE, DEMO SHAPED COMP H-6 1-1/2 LB MK74 MOD 1	WP1	43.875	51	51.125	1649	66.2	60 4116/135	1	
M836	1375007073044	20.5	8.75	6.5		10	0.7	100	WDN BOX		CAP, BLASTING ELECTRIC	WP1	41	52.5	38	688	47.3	60 4116/121F	1	
M877	1377007203595	8.25	8.25	14.5		3	0.6	1	FB BOX		THRUSTER, CARTRIDGE ACTUATED M11	WP1B	42	54	34.5	334	45.3	60 4116/150	1	
M913	1375000088895								MET CNTR		CHARGE, DEMOLITION FLEXIBLE LINEAR (MICLIC) HE M58A1		94.75	54	25	3000	74	1 8845322	82	
M913	1375011138983								MET CNTR		CHARGE, DEMOLITION FLEXIBLE LINEAR (MICLIC) HE M58A2		94.75	54	25	3000	74	1 8845322	82	
M913	1375011334189								MET CNTR		CHARGE, DEMOLITION FLEXIBLE LINEAR (MICLIC) HE M58A3		83.25	53.75	24.75	2900	64.1	1 2128451	83	
M913	1375011900665								MET CNTR		CHARGE, DEMOLITION FLEXIBLE LINEAR (MICLIC) HE M58A2		94.75	54	25	3000	74	1 8845322	82	
M913	1375012375933								MET CNTR		CHARGE, DEMOLITION FLEXIBLE LINEAR (MICLIC) HE M58A4		83.25	53.75	24.75	2900	64.1	1 2128451	83	
M913	1375012870719								MET CNTR		CHARGE, DEMOLITION FLEXIBLE LINEAR (MICLIC) HE M58A4		83.25	53.75	24.75	2900	64.1	1 2128451	83	
M913	1375013267215								MET CNTR		CHARGE, DEMOLITION FLEXIBLE LINEAR (MICLIC) HE M58A4		83.25	53.75	24.75	2900	64.1	1 2128451	83	
M913	1375013269642								MET CNTR		CHARGE, DEMOLITION FLEXIBLE LINEAR (MICLIC) HE M58A4		83.25	53.75	24.75	3000	64.1	1 2128451	83	
M913	1375014716793								MET CNTR		CHARGE, DEMOLITION FLEXIBLE LINEAR (MICLIC) HE M58A4		94.75	54	25	3000	74		82	
M914	1375004916031								MET CNTR		CHARGE, DEMOLITION PRACTICE FLEXIBLE LINEAR (MICLIC) M68A1		94.75	54	25	3000	74	1 8845322	82	
M914	1375011256521								MET CNTR		CHARGE, DEMOLITION PRACTICE FLEXIBLE LINEAR (MICLIC) M68A2		83.25	53.75	24.75	2900	64.1	1 2128450	83	
M951	1376002354999	18.25	15.4375	16.1875		95	2.6	4	WDN BOX		TNT, GRANULES	WP1A	36.5	46.3125	37.875	1210	37.1	12 4116/140	1	
M957	1375010041085	14.4375	12.5313	8.125		26	0.9	2	WBD BOX		CHARGE, DEMOLITION SHAPED COMP H-6 MK47 MOD 0	WP1	43.3125	50.125	46.125	1648	58	60 4116/120M	1	
M965	1375001487159	46	13	22.125		147	7.7	1	WBD BOX		DEMOLITION KIT, CRATERING M180	WP1A	39	46	27.625	509	28.7	3 4116/136	1	
M975	1375002202054	17.625	17.625	6.875		47	1.2	140	PLY BOX		FUZE, CRYPTOGRAPHIC EQUIPMENT M210	WP1	41.25	52.875	40.75	1778	51.4	36 4116/123C	1	
M976	1375003163610		23	11.5		77		5	MET DRUM		CHARGE, DEMOLITION BLOCK COMP H-6 4 LB MK36	WP1A	36	47.5	30	1044	29.7	12 4116/120Q	1	
M977	1375003163636	26.375	13.3125	12.3125		65	2.5	2000	WDN BOX	USN 2114301	CORD, DETONATING PETN	WP1	40	52.75	42.5	1256	51.9	18 4116/127L	1	
M980	1375010360443	20.625	15.375	10.5		60	1.9	2	WDN BOX	3139754	CHARGE, DEMOLITION SHEET ROLL PETN 38 FT	WP1	41.25	48.375	47.5	1549	54.9	24 4116/120BB	1	
M981	1375010360444	20.625	15.375	10.5		60	1.9	2	WDN BOX	3139754	CHARGE, DEMOLITION SHEET ROLL PETN 25 FT	WP1	41.25	48.375	47.5	1549	54.9	24 4116/120BB	1	
M982	1375010360445	20.625	15.375	10.5		42	1.9	1	WDN BOX	3139754	CHARGE, DEMOLITION SHEET ROLL PETN 19 FT	WP1	41.25	48.375	47.5	1117	54.9	24 4116/120BB	1	
M983	1375010360446	20.625	15.375	10.5		42	1.9	1	WDN BOX	3139754	CHARGE, DEMOLITION SHEET ROLL PETN 15 FT	WP1	41.25	48.375	47.5	1117	54.9	24 4116/120BB	1	
M984	1375010360447	20.625	15.375	10.5		42	1.9	1	WDN BOX	3139754	CHARGE, DEMOLITION SHEET ROLL PETN 13 FT	WP1	41.25	48.375	47.5	1117	54.9	24 4116/120BB	1	
M985	1375010360448	20.625	15.375	10.5		42	1.9	1	WDN BOX	3139754	CHARGE, DEMOLITION SHEET ROLL PETN 11 FT	WP1	41.25	48.375	47.5	1117	54.9	24 4116/120BB	1	
M986	1375010360449	20.625	15.375	10.5		42	1.9	1	WDN BOX	3139754	CHARGE, DEMOLITION SHEET ROLL PETN 9 FT	WP1	41.25	48.375	47.5	1117	54.9	24 4116/120BB	1	
M992	1375006303074									X7459165	CHARGE, DEMOLITION PRACTICE M3									
M993	1375010386884	20.625	15.375	10.5		60	1.9	2	WDN BOX	3139754	CHARGE, DEMOLITION SHEET ROLL PETN 50 FT	WP1	41.25	48.375	47.5	1549	54.9	24 4116/120BB	1	
M994	1375010386885	20.625	15.375	10.5		60	1.9	2	WDN BOX	3139754	CHARGE, DEMOLITION SHEET ROLL PETN 76 FT	WP1	41.25	48.375	47.5	1549	54.9	24 4116/120BB	1	
M995	1375010683985	18.5	9.5	14.75		34	1.5	5	MK1 BOX	439182	CHARGE, DEMO RIGID LINEAR COMP H-6 MK86 MOD 0	MPMK12	37	47.5	34.5	760	35.1	20 6214235	1	
M996	1375010696671	12	6.09375	7.5		25	0.32	5	M2 BOX	5206228	CHARGE, DEMOLITION MK87 MOD 0 EOD CHARGE	MPMK3	44	51	38.75	2740	50.3	96 MS-1323-395	1	
M997	1375010683984	12	6.09375	7.5		18	0.32	5	M2 BOX	5206228	CHARGE, DEMOLITION MK 88 MOD 0	MPMK3	44	51	38.75	2068	50.3	96 MS-1323-395	1	
M998	1375010696672	18.5	9.5	15		34	1.5	5	MK1 BOX	439182	CHARGE, DEMO RIGID LINEAR COMP C-3 MK89 MOD 0	MPMK12	37	47.5	34.5	760	35.1	20 6214235	1	
MD66	1377010633165									SPI	CARTRIDGE, IMPULSE CCU-44/B									
MD73	1377010496365	23	20	11.5		60	3.1	2160	WDN BOX		CARTRIDGE, IMPULSE M796	WP1	40	48.25	40	828	44.7	12 4116/115E	1	
MG62	1377010378651	9.625	10.375	15.375		12	0.9	240	WDN BOX		CARTRIDGE, IMPULSE BBU-35/B	WP1A	38.5	46.125	47	649	48.3	48 4116/151B	1	
MH51	1377011593918										ENVIRONMENTAL PROTECTIVE COVER ASSEMBLY, HELLFIRE DEICING KIT									
MH92	1377011852622									MIL-STD-2073	FIRE EXTINGUISHER CARTRIDGE, CCU-90/A									
MJ21	1377012117211									MIL-STD-2073	CARTRIDGE, IMPULSE CCU-92/A									
ML02	1375010210606	25.5	11.5	24.5		40	4.2	1	PLY BOX		FIRING DEVICE, DEMOLITION M122	WP1								

DODIC	NSN	PACK LEN	PACK WID	PACK HGT	PACK DIA	PACK WGT	PACK CUBE	RDS/ PACK	PACKAGE TYPE	PACKAGE DRAWING #	NOMENCLATURE	BASE TYPE	UNIT LOAD LEN	UNIT LOAD WID	UNIT LOAD HGT	UNIT LOAD WGT	UNIT LOAD CUBE	PKG/ UNIT LOAD	UNIT LOAD DRAWING	SECT. 2 INDEX #
ML10	1375012995873	50.5	5.5	2.0625		14	0.3	3	WDN BOX		CHARGE, DEMOLITION SHAPED FLEXIBLE LINEAR COMP H-6 30 GRAINS/FT	WP1	40.25	50.5	30	1180	35.3	77 4116/119	1	
ML11	1375010829920	50.5	5.5	2.0625		14	0.3	6	WDN BOX		CHARGE, DEMOLITION SHAPED FLEXIBLE LINEAR COMP H-6 40 GRAIN/FT	WP1	40.25	50.5	30	1179	35.3	77 4116/119	1	
ML11	1375013003911	50.5	5.5	2.0625		14	0.3	6	WDN BOX		CHARGE, DEMOLITION SHAPED FLEXIBLE LINEAR COMP H-6 40 GRAINS/FT	WP1	40.25	50.5	30	1180	35.3	77 4116/119	1	
ML12	1375010832822	50.5	5.5	2.0625		15	0.3	6	WDN BOX		CHARGE, DEMOLITION SHAPED FLEXIBLE LINEAR COMP H-6 60 GRAIN/FT	WP1	40.25	50.5	30	1256	35.3	77 4116/119	1	
ML12	1375012995874	50.5	5.5	2.0625		15	0.3	3	WDN BOX		CHARGE, DEMOLITION SHAPED FLEXIBLE LINEAR COMP H-6 60 GRAINS/FT	WP1	40.25	50.5	30	1257	35.3	77 4116/119	1	
ML13	1375010829921	50.5	5.5	2.0625		16	0.3	6	WDN BOX		CHARGE, DEMOLITION SHAPED FLEXIBLE LINEAR COMP H-6 75 GRAIN/FT	WP1	40.25	50.5	30	1333	35.3	77 4116/119	1	
ML13	1375013005201	50.5	5.5	2.0625		16	0.3	6	WDN BOX		CHARGE, DEMOLITION SHAPED FLEXIBLE LINEAR COMP H-6 75 GRAINS/FT	WP1	40.25	50.5	30	1334	35.3	77 4116/119	1	
ML14	1375010829922	50.5	5.5	2.0625		15	0.3	5	WDN BOX		CHARGE, DEMOLITION SHAPED FLEXIBLE LINEAR COMP H-6 125 GRAIN/FT	WP1	40.25	50.5	30	1296	35.3	77 4116/119	1	
ML14	1375012994158	50.5	5.5	2.0625		16	0.3	6	WDN BOX		CHARGE, DEMOLITION SHAPED FLEXIBLE LINEAR COMP H-6 125 GRAINS/FT	WP1	40.25	50.5	30	1334	35.3	77 4116/119	1	
ML15	1375010829923	50.5	5.5	2.0625		21	0.3	5	WDN BOX		CHARGE, DEMOLITION SHAPED FLEXIBLE LINEAR COMP H-6 225 GRAIN/FT	WP1	40.25	50.5	30	1719	35.3	77 4116/119	1	
ML15	1375012994153	50.5	5.5	2.0625		18	0.3	3	WDN BOX		CHARGE, DEMOLITION SHAPED FLEXIBLE LINEAR COMP H-6 225 GRAINS/FT	WP1	40.25	50.5	30	1488	35.3	77 4116/119	1	
ML16	1375010829924	50.5	5.5	2.0625		21	0.3	5	WDN BOX		CHARGE, DEMOLITION SHAPED FLEXIBLE INEAR COMP H-6 300 GRAIN/FT	WP1	40.25	50.5	30	1719	35.3	77 4116/119	1	
ML16	1375012994154	50.5	5.5	2.0625		18	0.3	5	WDN BOX		CHARGE, DEMOLITION SHAPED FLEXIBLE LINEAR COMP H-6 300 GRAINS/FT	WP1	40.25	50.5	30	1488	35.3	77 4116/119	1	
ML17	1375010836325	50.5	5.5	2.0625		18	0.3	3	WDN BOX		CHARGE, DEMOLITION SHAPED FLEXIBLE LINEAR COMP H-6 400 GRAIN/FT	WP1	40.25	50.5	30	1488	35.3	77 4116/119	1	
ML17	1375012994156	50.5	5.5	2.0625		19	0.3	3	WDN BOX		CHARGE, DEMOLITION SHAPED FLEXIBLE LINEAR COMP H-6 400 GRAINS/FT	WP1	40.25	50.5	30	1565	35.3	77 4116/119	1	
ML18	1375010829925	50.5	5.5	2.0625		20	0.3	3	WDN BOX		CHARGE, DEMOLITION SHAPED FLEXIBLE LINEAR COMP H-6 500 GRAIN/FT	WP1	40.25	50.5	30	1624	35.3	77 4116/119	1	
ML18	1375012994157	50.5	5.5	2.0625		20	0.3	3	WDN BOX		CHARGE, DEMOLITION SHAPED FLEXIBLE LINEAR COMP H-6 500 GRAINS/FT	WP1	40.25	50.5	30	1642	35.3	77 4116/119	1	
ML19	1375010832821	50.5	5.5	2.0625		20	0.3	3	WDN BOX		CHARGE, DEMOLITION SHAPED FLEXIBLE LINEAR COMP H-6 600 GRAIN/FT	WP1	40.25	50.5	30	1624	35.3	77 4116/119	1	
ML19	1375012994155	50.5	5.5	2.0625		21	0.3	3	WDN BOX		CHARGE, DEMOLITION SHAPED FLEXIBLE LINEAR COMP H-6 600 GRAINS/FT	WP1	40.25	50.5	30	1719	35.3	77 4116/119	1	
ML25	1375011178612								0 MET CNTR		CHARGE, DEMOLITION FLEXIBLE EX LINEAR (MICLIC) HE M59		43.5	35.25	57.5	2520	51	1 6120618	106	
ML25	1375012366378								0 MET CNTR		CHARGE, DEMOLITION FLEXIBLE LINEAR (MICLIC) HE M59A1		43.5	35.25	57.5	2520	51	1 6120618	106	
ML25	1375012863590								MET CNTR		CHARGE, DEMOLITION FLEXIBLE LINEAR (MICLIC) HE M59A1		43.5	35.25	57.5	2450	51	1 6120618	106	
ML25	1375012915194								0 MET CNTR		CHARGE, DEMOLITION FLEXIBLE LINEAR (MICLIC) HE M59A1		43.5	35.25	57.5	2520	51	1 6120618	106	
ML25	1375013167905								0 MET CNTR		CHARGE, DEMOLITION FLEXIBLE LINEAR (MICLIC) HE COMP C-4 M59		43.5	35.25	57.5	2520	51	1 6120618	106	
ML25	1375013267214								0 MET CNTR		CHARGE, DEMOLITION FLEXIBLE LINEAR (MICLIC) HE M59A1		43.5	35.25	57.5	2520	51	1 6120618	106	
ML25	1375013267754								MET CNTR		CHARGE, DEMOLITION FLEXIBLE INEAR (MICLIC) HE M59		43.5	35.25	57.5	2520	51	1 6120618	106	
ML26	1375011178613								0 MET CNTR		CHARGE, DEMOLITION PRACTICE FLEXIBLE LINEAR (MICLIC) M69		43.5	35.25	57.5	2450	51	1 5532270	106	
ML45	1375014151229									X12972626	HOLDER, BLASTING CAP M9									1
ML47	1375014151232	42.75	19	14.25		60	6.7	60	WDN BOX	12983052	CAP, BLASTING NON-ELECTRIC M11 30 FT SHOCK TUBE EBCO CONTRACT NUMBER DAAE30-96-C-0081	WP1B	42.75	57	48.25	638	68.1	9 4116/121R	1	
ML49	1376006720265	18.5	15.25	7.375		59	1.2	55	FB BOX	7548645	TNT, 2, 4, 6-TRINITROTOLUENE RECLAIMED UNLIMITED CONFIRMATION	WP1A	37	45.75	50	2199	49	36 4177/1	81	
ML49	1376014791067	18.5	15.25	7.375		59	1.2	55	FB BOX	7548645	TNT, 2, 4, 6-TRINITROTOLUENE TYPE III RECLAIMED	WP1A	37	45.75	50	2199	49	36 4177/1	81	
ML51	1376006283333	19.5	12	11.25		61	1.5	1	WDN BOX		TNT, 2, 4, 6-TRINITROTOLUENE TYPE I COARSE FLAKE/CRYSTALLINE FORM	WP1A	39	48	39.25	1535	42.5	24 4116/139	1	
ML51	1376006283333	18.5	15.25	7.375		59	1.2	55	FB BOX	7548645	TNT, 2, 4, 6-TRINITROTOLUENE TYPE I COARSE FLAKE/CRYSTALLINE FORM	WP1A	37	45.75	50	2199	49	36 4177/1	81	
ML51	1376016929758	18.125	14.875	5.5		30	0.858	25	FB BOX	13102414	2,4,6-TRINITROTOLUENE (TNT) TYPE I, COARSE FLAKE/CRYSTALLINE FORM	WP1	40.75	49.125	44	1403	51	42 4116/139C	1	
ML82	1375004819666	21.125	10	8		48	1	10	FB BOX		FUZE, DEMO KIT ELECTRIC M1134	WPBPX	43	50.75	39	2074	49.3	40 4169/130	4	
ML82	1375004819666	21.125	10	8		48	1	10	FB BOX		FUZE, DEMO KIT ELECTRIC M1134	FBPBX	35	45.5	37	1264	24.1	24 4169/130	4	
ML82	1375011793670	21.125	10	8		48	1	10	FB BOX		FUZE, DEMO KIT ELECTRIC M1134A2	WPBPX	43	50.75	39	2074	49.3	40 4169/130	4	
ML82	1375011793670	21.125	10	8		48	1	10	FB BOX		FUZE, DEMO KIT ELECTRIC M1134A2	FBPBX	35	45.5	37	1264	34.1	24 4169/130	4	
ML91	1375012231413	38	13.25	4.5625		75	1.3	3	WDN BOX	9395787	TILE, ARMOR M2	WP1A	38	53	42.75	2479	49.8	32 4221	1	
ML92	1375012232918	38	13.25	4.5625		75	1.3	2	WDN BOX	9395787	TILE, ARMOR M1	WP1A	38	53	42.75	2479	49.8	32 4221	1	
ML93	1375012573981	17.125	12.875	15.625		118	2	3	WDN BOX		TILE, ARMOR M3	WP1A	38.625	46.875	39.75	2195	41.6	18 4221/2	1	
ML93	1375014107414	17.125	12.875	15.625		139	2	3	WDN BOX		TILE, ARMOR M3A1	WP1A	38.625	46.875	39.75	2573	41.6	18 4221/2	1	
ML94	1375012573982	23.625	15	14.75		90	3	9	WDN BOX		TILE, ARMOR M4	WP1A	44.25	47.25	50.5	1694	61.1	18 4221/3	1	
ML94	1375014107413	23.625	15	14.75		101	3	9	WDN BOX		TILE, ARMOR M4A1	WP1A	44.25	47.25	50.5	1892	61.1	18 4221/3	1	
ML95	1375012573983	17.25	14.5	18.75		108	2.7	1	WDN BOX	12590209	TILE, ARMOR M5	WP1	43.5	51.75	43	2033	56	18 4221/4	1	
ML95	1375014107416	17.25	14.5	18.75		122	2.7	1	WDN BOX	12590209	TILE, ARMOR M5A1	WP1	43.5	51.75	43	2285	56	18 4221/4	1	

DODIC	NSN	PACK LEN	PACK WID	PACK HGT	PACK DIA	PACK WGT	PACK CUBE	RDS/PACK	PACKAGE TYPE	PACKAGE DRAWING #	NOMENCLATURE	BASE TYPE	UNIT LOAD LEN	UNIT LOAD WID	UNIT LOAD HGT	UNIT LOAD WGT	UNIT LOAD CUBE	PKG/UNIT LOAD	UNIT LOAD DRAWING	SECT. 2 INDEX #	
ML95	1375015161642	17.25	14.5	18.75		128.5	2.7	1	WDN BOX	12590209	TILE, ARMOR M5A2	WP1	43.5	51.75	43	2402	56	18 4221/4	1		
ML95	1375015161642	17.1875	14.5	18.75		128.5	2.7	1	WDN BOX	12590209	TILE, ARMOR, M5A2 BRADLEY FIGHTING VEHICLE (BFV)	WP1	43.25	51.75	41.375	2308	53.6	16 4221/9	1		
ML95	1375015305628	17.25	14.4375	18.75		128.5	2.7	1	WDN BOX	12590209	TILE, ARMOR, M5A2 WITH LOW BURN RATE (LBR6) EXPLOSIVE	WP1	43.5	51.75	43	2402	56	18 4221/4	1		
ML96	1375012277818	45.25	16.125	5.625		115	2.4	1	WDN BOX		PARTS KIT, F/M1 ARMOR TILE	WP1	45.5	48.375	39.25	2156	50	18 4221/1	1		
ML97	1375012277819	45.25	16.125	5.625		112	2.4	1	WDN BOX		PARTS KIT, F/M2 ARMOR TILE	WP1	45.5	48.375	39.25	2102	50	18 4221/1	1		
ML98	1375012573984	20.25	9.875	14.75		85	1.7	2	WDN BOX	12590330	TILE, ARMOR M6	WP1	40.5	49.375	49.75	2640	57.6	30 4221/5	1		
ML98	1375014107415	20.25	9.875	14.75		85	1.7	2	WDN BOX	12590330	TILE, ARMOR M6A1	WP1	40.5	49.375	49.75	2640	57.6	30 4221/5	1		
ML98	1375014107415	20.25	9.8125	14.75		85	1.7	2	WDN BOX	12590330	TILE, ARMOR M6A1	WP1	43.25	51.75	41.375	2308	53.6	16 4221/9	1		
ML98	1375015305630	20.25	9.875	14.75		85	1.7	2	WDN BOX	12590330	TILE, ARMOR, M6A1 WITH LOW BURN RATE (LBR6) EXPLOSIVE	WP1	40.5	49.375	49.75	2640	57.6	30 4221/5	1		
ML99	1375012573985	36.25	9.875	14.75		123	3.1	4	WDN BOX	12590323	TILE, ARMOR M7	WP1A	36.25	49.375	35	1303	36.3	10 4221/6	1		
ML99	1375014107417	36.25	9.875	14.75		128	3.1	4	WDN BOX	12590323	TILE, ARMOR M7A1	WP1A	36.25	49.375	35	1353	36.3	10 4221/6	1		
ML99	1375014107417	36.1875	9.8125	14.75		128.5	3.03	4	WDN BOX	12590323	TILE, ARMOR M7A1	WP1	43.25	51.75	41.375	2308	53.6	16 4221/9	1		
ML99	1375015305633	36.25	9.875	14.75		128	3.1	4	WDN BOX	12590323	TILE, ARMOR M7A1 WITH LOW BURN RATE (LBR6) EXPLOSIVE	WP1A	36.25	49.375	35	1353	36.3	10 4221/6	1		
MM15	1375013801350	14.625	12.8125	11.9375		77	1.3	16	WBD BOX		SELECTABLE LIGHTWEIGHT ATTACK MUNITION (SLAM), M2	WP1A	35.875	45.5	44	2169	41.6	27 4116/95Q	1		
MM16	1375013801378	14.625	12.8125	11.9375		77	1.3	16	WBD BOX		DEMOLITION ATTACK MUNITION (DAM), M3	WP1A	35.875	45.5	44	2169	41.6	27 4116/95Q	1		
MM41	1375013188571	75.875	5.5	2		16	5.7	6	WDN BOX		CHARGE, DEMOLITION FLEXIBLE LINEAR SHAPED COMP H-6	WP1B	44	75.875	43.5	2540	84	152 4116/119A	120		
MM42	1375013189821	75.875	5.5	2		17	5.7	6	WDN BOX		CHARGE, DEMOLITION FLEXIBLE LINEAR SHAPED COMP H-6	WP1B	44	75.875	43.5	2692	84	152 4116/119A	120		
MM43	1375013190940	75.875	5.5	2		18	5.7	6	WDN BOX		CHARGE, DEMOLITION FLEXIBLE LINEAR SHAPED COMP H-6	WP1B	44	75.875	43.5	2844	84	152 4116/119A	120		
MM44	1375013189822	75.875	5.5	2		19	5.7	6	WDN BOX		CHARGE, DEMOLITION FLEXIBLE LINEAR SHAPED COMP H-6	WP1B	44	75.875	43.5	2996	84	152 4116/119A	120		
MM45	1375013190941	75.875	5.5	2		20	5.7	6	WDN BOX		CHARGE, DEMOLITION FLEXIBLE LINEAR SHAPED COMP H-6	WP1B	44	75.875	43.5	3148	84	152 4116/119A	120		
MM46	1375013180754	75.875	5.5	2		22	5.7	3	WDN BOX		CHARGE, DEMOLITION FLEXIBLE LINEAR SHAPED COMP H-6	WP1B	44	75.875	43.5	3452	84	152 4116/119A	120		
MM47	1375013180753	75.875	5.5	2		23	5.7	3	WDN BOX		CHARGE, DEMOLITION FLEXIBLE LINEAR SHAPED COMP H-6	WP1B	44	75.875	43.5	3604	84	152 4116/119A	120		
MM48	1375013199184	75.875	5.5	2		26	5.7	3	WDN BOX		CHARGE, DEMOLITION FLEXIBLE LINEAR SHAPED COMP H-6	WP1B	44	75.875	43.5	4060	84	152 4116/119A	120		
MM50	1375013256826	14.5	12.75	8.125		55	0.9	12	WBD BOX	9392513	CHARGE, DEMOLITION SHAPED CLIPPED M221	WP1	43.5	51	38	2729	48.8	48 4116/120EE	1		
MN01	1375011927411	35	12.75	10.5		80	2.7	1	WDN BOX		CANINE EXPLOSIVE SCENT KIT	WP1A	35	51	47.5	1352	49.1	16 4116/138	1		
MN02	1375014151230	40	20	37		192	17.1	48	pre 1999	X12972628	CAP, BLASTING NON-ELECTRIC M12 500 FT SHOCK TUBE MDI EBCO CONTRACT NUMBER DAAE30-97-C-1082								1		
MN03	1375014151231	40	20	37		192	17.1	24	pre 1999	X12972629	CAP, BLASTING NON-ELECTRIC M13 1000 FT SHOCK TUBE MDI DAAE30-99-C-1099								1		
MN06	1375014151233									X12972630	CAP, BLASTING NON-ELECTRIC DELAY M14 DAAE21-94-C-0086									1	
MN06	1375014827380	25.875	13.75	12.25		26	2.52	40		QAA-1424D	CAP, BLASTING NON-ELECTRIC 5 MINUTE TIME FUSE BLASTING DELAY M14	WP1	41.25	51.75	54.5	712	67.3	24 4116/121U	1		
MN06	1375014827380	25.875	13.75	12.25		26	2.52	40		QAA-1424B	CAP, BLASTING NON-ELECTRIC 5 MINUTE TIME FUSE BLASTING DELAY M14	WP1	41.25	51.75	54.5	712	67.3	24 4116/121U	1		
MN06	1375015675534	25.875	13.75	12.25		26	2.52	40			CAP, BLASTING NON-ELECTRIC 5 MINUTE TIME FUSE BLASTING DELAY M14	WP1	41.25	51.75	54.5	712	67.3	24 4116/121U	1		
MN07	1375014472049	25.25	23.75	14.75		64	5.12	60	WDN BOX	13097387	CAP, BLASTING NON-ELECTRIC 25 AND 200 MILLISECOND DELAY 70 FT SHOCK TUBE M15	WP1	44.25	50.5	53	856	68.5	12 4116/121X	1		
MN08	1375014151235	21.5	12	14.5		63	2.2	300	WDN BOX	12977193	IGNITER, TIME BLASTING FUSE M81	WP1	43.5	48	48.5	1601	58.6	24 4116/131D	1		
MN08	1375014420939	14.4375	12.5313	8.125		27.34	0.8	60	WBD BOX	2128182	IGNITER, TIME BLASTING FUSE M81	WP1	43.375	50.125	38	1401	47.8	48 4116/131B	1		
MN08	1375015550128	14.4375	12.5313	8.125		29.5	0.8	90	WBD BOX	13019661	IGNITER, TIME BLASTING FUSE WITH SHOCK TUBE CAPABILITY M81	WP1	43.375	50.125	38	1507	47.8	48 4116/131B	1		
MN08	1375016086852	21.5	12	14.5		70	2.2	360	WDN BOX	12977193	IGNITER, TIME BLASTING FUSE M81	WP1	43.5	48	48.5	1769	58.6	24 4116/131D	1		
MN11	1375013407890	14.625	12.8125	11.9375		52	1.3	48	WBD BOX		FIRING DEVICE, DEMOLITION 5 MIN-30 DAY DELAY M147	WP1	43.875	51.25	53.25	2587	69.3	48 4116/95N	1		
MN26	1375014293510	38			7.5	40	1.2	2	PA103A1	12960798	FIGHTING POSITION EXCAVATOR (FPE), M300	WP1A	38	48	36.25	1082	38.3	24 4079/14	144		
MN27	1375014293509	38			7.5	35	1.2	4	PA103A1	12960798	FIGHTING POSITION EXCAVATOR RELOAD KIT, M301	WP1A	38	48	36.25	962	38.3	24 4079/14	144		
MN28	1375014305014	14.625	12.8125	11.9375		77	1.3	16	WBD BOX		SELECTABLE LIGHTWEIGHT ATTACK MUNITION (SLAM) M4	WP1A	35.875	45.5	44	2169	41.6	27 4116/95Q	1		
MN33	1375014459546	26.375	13.3125	12.3125		68	2.5	800	WDN BOX	USN 2114301	CORD, DETONATING HEAVY LOAD PETN 200 GRAINS/FT	WP1	40	52.75	42.5	1311	51.9	18 4116/127L	1		
MN34	1375014460346	26.375	13.3125	12.3125		58	2.5	1000	WDN BOX	USN 2114301	CORD, DETONATING HEAVY LOAD PETN 100 GRAINS/FT	WP1	40	52.75	42.5	1131	51.9	18 4116/127L	1		
MN35	1375014128813									12972432-2	CAP, BLASTING PRACTICE M12 500 FT SHOCK TUBE									1	
MN36	1375014120163									12972435-2	CAP, BLASTING PRACTICE M11 30 FT SHOCK TUBE										1
MN37	1375014116346	20.5	10.125	5.875		8	0.71	60	FBD BOX	13042767	DUMMY CAP, BLASTING NON-ELECTRIC M32 5 MIN DELAY	WP1	41	48	40.75	538	46.4	48 4116/121W	1		
MN39	1375014499601	42.75	13.625	14		4.72	66	60	WDN BOX	12997521	CAP, BLASTING NON-ELECTRIC 10 FT SHOCK TUBE M16	WP1	40.875	48.75	47.5	736	54.8	9 4116/121T	1		
MN41	1375014499602	43.875	16	16		103	6.5	40	WDN BOX	12997517	CAP, BLASTING NON-ELECTRIC 20 MINUTE TIME FUSE DELAY M18	WP1	43.875	48	53.5	1015	65.2	9 4116/121S	1		
MN42	1375014537834								WDN BOX		ARMOR TILE, BRADLEY COMBINATION	WP1A	46.875	38.625	52.375	2052	54.9	17 4221/8	1		
MN43	1375014537835								WDN BOX		ARMOR TILE, BRADLEY COMBINATION VEJICLE SET	WP1A	46.875	38.625	52.375	2209	54.9	17 4221/8	1		
MN52	1375014609000	18.59	10.59	14.59		34.6	1.66	8	CNU-405	7223944	DETONATOR, NON-ELECTRIC DUAL MK154 MOD 0	MK3 MP	40.25	53.125	34	817	42.1	20 6214102	1		
MN75	1375014702399	24.5	12.25	10.75		22	0.88	120	FBD BOX	13096807	DUMMY BOOSTER, DEMOLITION CHARGE NON-ELECTRIC 30 FT INERT DETONATING CORD M652	WP1	42.75	49	48.5	692	58.8	24 4116/127N	1		
MN75	1375017084844	24.5	12.25	10.75		15	0.88	75	FBD BOX	13096807	DUMMY BOOSTER, DEMOLITION CHARGE NON-ELECTRIC 30 FT INERT DETONATING CORD M652	WP1	42.75	49	48.5	524	58.8	24 4116/127N	1		
MN79	1375014261376	44.1	30.2	15.7		230	12.1	1	MTL BOX	87012A5000	ANTI-PERSONNEL OBSTACLE BREACHING SYSTEM (APOBS), MK7 MOD 1	WP	44	30	42.5	640	32.47	2 87012A0000	1		
MN79	1375015084975	44.1	30.2	15.7		230	12.1	1	MTL BOX	87012A5000	ANTI-PERSONNEL OBSTACLE BREACHING SYSTEM (APOBS), MK7 MOD 2	WP	44	30	42.5	640	32.47	2 87012A0000	1		
MN80	1375014820476	17	13.375	9.375		23	1.3		WBD BOX	11753416	RECEIVER, RADIO FIRING DEVICE NON-ELECTRIC BLASTING CAP ACTUATING M17 (RAMS)	WP1	40.125	51	43	1782	50.9	36 4116/129B	1		
MN88	1375014946945	44	16.38	17.38		126	7.25	40	WDN BOX	13023565	CAP, BLASTING NON-ELECTRIC M21 WITH 500 FT. MINITUBE	WP1	44	4							

DODIC	NSN	PACK LEN	PACK WID	PACK HGT	PACK DIA	PACK WGT	PACK CUBE	RDS/PACK	PACKAGE TYPE	PACKAGE DRAWING #	NOMENCLATURE	BASE TYPE	UNIT LOAD LEN	UNIT LOAD WID	UNIT LOAD HGT	UNIT LOAD WGT	UNIT LOAD CUBE	PKG/UNIT LOAD	UNIT LOAD DRAWING	SECT. 2 INDEX #
MN92	1375015161625	17.26	16.67	16.16		158.5	2.69	3	WDN BOX	13004396	TILE, ARMOR, M3A2 BRADLEY FIGHTING VEHICLE (BFV)	WP1	43.25	51.75	41.375	2308	53.6	16	4221/9	1
MN92	1375015161625	17.25	16.6875	16.1875		159	2.7	2	WDN BOX	13004396	TILE, ARMOR, M3A2 BRADLEY FIGHTING VEHICLE (BFV)	WP1A	36	48.625	38.875	1993	38.9	12	4221/23	1
MN92	1375015305625	17.25	16.6875	16.1875		159	2.7	2	WDN BOX	13004396	TILE, ARMOR, M3A2 BRADLEY FIGHTING VEHICLE (BFV)	WP1A	36	48.625	38.875	1993	38.9	12	4221/23	1
MN93	1375015161623	21.1875	16.6875	16.1875		154	3.3	2	WDN BOX	13004393	TILE, ARMOR, M4A2 BRADLEY FIGHTING VEHICLE (BFV)	WP1A	35.625	48.875	21.6875	722	21.9	4	4221/10	1
MN93	1375015161623	21.1875	16.6875	16.1875		154	3.3	2	WDN BOX	13004393	TILE, ARMOR, M4A2 BRADLEY FIGHTING VEHICLE (BFV)	WP1	42.375	50.125	37.875	1934	46.6	12	4221/24	1
MN93	1375015305627	21.1875	16.6875	16.1875		154	3.3	2	WDN BOX	13004393	TILE, ARMOR, M4A2 BRADLEY FIGHTING VEHICLE (BFV)	WP1	42.375	50.125	37.875	1934	46.6	12	4221/24	1
MN95	1375015179435			14.75	24.375	88	5.1	2	MET DRUM	MS27683	DEMOLITION KIT, RAPID WALL BREACHING TACTICAL M322	SKII	26	50.25	33.5	426	25.3	4	4138/117A	2
MP02	1375015179437			14.75	24.375	88	5.1	2	MET DRUM	MS27683	DEMOLITION KIT, BLASTING PRACTICE M323	SKII	26	50.25	33.5	426	25.3	4	4138/117A	2
MP03	1375015287226	35.75	13.125	7		90	1.9	1	WDN BOX	13010551	DEMOLITION KIT, BANGALORE TORPEDO 2.5 FT M1A3	WP1A	35.75	52.5	40.5	1873	44	20	4116/125B	1
MP05	1375015234531	19.875	13.375	14.75		98	2.3	1	WDN BOX	13005869-1	TILE, ARMOR STRYKER ADD-ON ARMOR (AOA) LOWER GLACIS MODULE M23 FOR TACTICAL PACK	PB	38.625	48.5	36.25	1046	39.3	2	4221/14	1
MP05	1375015234531	20.75	13.75	9.25		58	1.5	1	WDN BOX	13005869-2	TILE, ARMOR STRYKER ADD-ON ARMOR (AOA) LOWER GLACIS MODULE M23 FOR SPARE PART PACK	WP1B	43.75	55	42.5	1989	59.2	32	4221/18	1
MP06	1375015234526	18.625	11.5	13.75		85	1.7	2	FB BOX	13005866-1	TILE ARMOR STRYKER ADD-ON ARMOR (AOA) SMALL MODULE M24 FOR TACTICAL PACK	PB	38.625	48.5	48.25	1965	52.3	3	4221/11	1
MP06	1375015234526	18.625	11.5	13.75		85	1.7	2	FB BOX	13005866-1	TILE ARMOR STRYKER ADD-ON ARMOR (AOA) SMALL MODULE M24 FOR TACTICAL PACK	PB	38.625	48.5	48.25	1950	52.3	2	4221/12	1
MP06	1375015234526	13.625	12.75	15.5		58	1.5	1	WDN BOX	13005869-3	TILE, ARMOR STRYKER ADD-ON ARMOR (AOA) SMALL MODULE M24 FOR SPARE PART PACK	WP1	40.875	51	36.5	1494	44	24	4221/22	1
MP07	1375015289600	18.625	11.5	13.75		70	1.7	1	FB BOX	13005866-1	TILE, ARMOR STRYKER ADD-ON ARMOR (AOA) LARGE MODULE M22 FOR TACTICAL PACK	PB	38.625	48.5	48.25	1965	52.3	21	4221/11	1
MP07	1375015289600	18.625	11.5	13.75		70	1.7	1	FB BOX	13005866-1	TILE, ARMOR STRYKER ADD-ON ARMOR (AOA) LARGE MODULE M22 FOR TACTICAL PACK	PB	38.625	48.5	48.25	1950	52.3	22	4221/12	1
MP07	1375015289600	18.625	11.5	13.75		70	1.7	1	FB BOX	13005866-1	TILE, ARMOR STRYKER ADD-ON ARMOR (AOA) LARGE MODULE M22 FOR TACTICAL PACK	PB	38.625	48.5	36.25	1116	39.3	9	4221/13	1
MP07	1375015289600	18.625	11.5	13.75		70	1.7	1	FB BOX	13005866-1	TILE, ARMOR STRYKER ADD-ON ARMOR (AOA) LARGE MODULE M22 FOR TACTICAL PACK	PB	38.625	48.5	36.25	1046	39.3	3	4221/14	1
MP07	1375015289600	20.375	12.75	15.5		89	2.3	1	WDN BOX	13005869-4	TILE, ARMOR STRYKER ADD-ON ARMOR (AOA) LARGE MODULE M22 FOR SPARE PART PACK	WP1	41.5	51	36.5	1536	44.7	16	4221/21	1
MP08	1375015289604	18.625	11.5	13.75		70	1.7	1	FB BOX	13005866-1	TILE, ARMOR STRYKER ADD-ON ARMOR (AOA) LARGE REAR LOWER MODULE M30 FOR TACTICAL PACK	PB	38.625	48.5	36.25	1116	39.3	2	4221/13	1
MP08	1375015289604	20.375	12.75	15.5		89	2.3	1	WDN BOX	13005869-4	TILE, ARMOR STRYKER ADD-ON ARMOR (AOA) LARGE REAR LOWER MODULE M30 FOR SPARE PART PACK	WP1	41.5	51	36.5	1536	44.7	16	4221/21	1
MP09	1375015289607	18.625	11.5	13.75		70	1.7	1	FB BOX	13005866-1	TILE, ARMOR STRYKER ADD-ON ARMOR (AOA) LARGE UPPER LOWER MODULE M29 FOR TACTICAL PACK	PB	38.625	48.5	36.25	1116	39.3	2	4221/13	1
MP09	1375015289607	20.375	12.75	15.5		89	2.3	1	WDN BOX	13005869-4	TILE, ARMOR STRYKER ADD-ON ARMOR (AOA) LARGE UPPER LOWER MODULE M29 FOR SPARE PART PACK	WP1	41.5	51	36.5	1536	44.7	16	4221/21	1
MP10	1375015234519	18.625	11.5	13.75		70	1.7	1	FB BOX	13005866-1	TILE, ARMOR STRYKER ADD-ON ARMOR (AOA) LARGE FRONT BUMPER MODULE M31 FOR TACTICAL PACK	PB	38.625	48.5	36.25	1046	39.3	5	4221/14	1
MP10	1375015234519	20.375	12.75	15.5		89	2.3	1	WDN BOX	13005869-4	TILE, ARMOR STRYKER ADD-ON ARMOR (AOA) LARGE FRONT BUMPER MODULE M31 FOR SPARE PART PACK	WP1	41.5	51	36.5	1536	44.7	16	4221/21	1
MP12	1375015379275	9.125	13.375	14.5625		50	1	8	WBD BOX	13010273	SELECTABLE LIGHTWEIGHT ATTACK MUNITION (SLAM), M4A1	WP1B	45.625	53.5	49.25	3104	69.6	60	4116/95T	1
MP15	1375015419503	16.8438	14.0313	8.4375		71	1.2	1	FB BOX	13009491	ARMOR TILE, ABRAMS M19 QUANTITY 30	PB	35.125	43.5	48.875	2325	43.2	30	4221/16	1
MP15	1375015419564	20	15.75	11.1875		95	2.1	1	WDN BOX	13009492	ARMOR TILE, ABRAMS M19 SPARE PARTS	WP1	40	48.75	39.125	1809	44.2	18	4221/17	1
MP15	1375015643373	16.8438	14.0313	8.4375		68	1.2	1	FB BOX	13009488	ARMOR TILE, ABRAMS M19 QUANTITY 31	PB	35.75	44.25	51.75	2393	47.4	31	4221/27	1
MP22	1375015571600	21.125	17	5.25		38	1.1	1	FB BOX	13018658	TILE ARMOR, ABRAMS REACTIVE ARMOR TILE II (ARAT II) XM32	PB	35.125	43.5	48.875	1375	43.2	31	4221/25	1
MP22	1375015571607	24.625	18.875	8.1875		59	2.2	1	WDN BOX	13018660	TILE ARMOR, ABRAMS REACTIVE ARMOR TILE II (ARAT II) XM32 SPARE PARTS	WP1A	37.75	49.25	46.4375	1253	50	20	4221/26	1
MP24	1375015703100	9.625	13.375	9.375		14.9	0.7	2	WBD BOX	11754206	DEVICE, FIRING RECEIVER, XM40 FOR MAGNETO-INDUCTIVE REMOTE ACTIVATION MUNITION SYSTEM (MI-RAMS) (NON-ELECTRIC BLASTING CAP ACTUATED)	WP1	40.125	48.125	43	991	48.1	60	4116/129D	1
MP25	1375015707596	20.125	13.875	11.125		98	1.8	1	FB BOX	13023043	TILE, ARMOR BRADLEY XM33	PB	29.5	42	51	1570	36.6	14	4221/28	1
MP25	1375015717842	23.75	15	14.25		122	2.94	1	WDN BOX	13203039	TILE, ARMOR BRADLEY XM33	WP1	42.75	48.25	35.5	1561	42.4	12	4221/29	1
MP39	1375015883633	20.5	14.125	10.875		103	1.82	1	FBD BX	13028590	TILE, ARMOR, BRADLEY, XM44	PB	43.25	30.5	52	1612	39.7	14		1
MP47	1375016004645	9.375	13.5	9.5		23.7	0.7	6	11753900		RECEIVER, RADIO FIRING DEVICE NON-ELECTRIC CAP ACTUATING, M17A1	WP1A	40.5	46.875	43.625	1498	47.8	60	4116/129E	1
MP56	1375016508648	21.5	12.625	14.1875		85.3	2.23	1	WDN BOX	13060546	CHARGE, DEMOLITION SHAPED 40 LB M3A2	WP1	41.75	50.5	48.125	2136	58.7	24	4116/120FF	1
MS89	1377011705260									P1377-4	CORD, DETONATING FCDC									1
MS91	1377011869900									P1377-4	CORD, DETONATING FCDC									1
MS92	1377011869901									P1377-4	CORD, DETONATING FCDC									1
MS94	1377011846112									P1377-1	CORD, DETONATING WCA									1
MS95	1377011846113									P1377-1	CORD, DETONATING WCA									1
MS96	1377011858908									P1377-1	CORD, DETONATING WCA									1
MS97	1377011874477									P1377-1	CORD, DETONATING WCA									1
MT06	1377012696496									P1377-6	INITIATOR, IAU-59/A									1
MT20	1377012633627									P1377-5	CARTRIDGE, AIRCRAFT FIRE EXTINGUISHER H-60									1
MU34	1377010733831									P1377-10	REFIRE KIT, CABLE AND CUTTER ASSEMBLY									1
MW29	1375009618499	33.875	14.375	15.875		56	4.5	200	WDN BOX		DELAY ELEMENT, DETONATING	WP1	43.125	48	39.375	589	47.2	9	4116/137	1
MW37	1375004383920	11.875	9.75	9.75		9	0.7	6	M19		DRIVER, POWDER ACTUATED MK22 MOD 0	WBPBX	39.75	48.75	36.25	569	40.7	48	4169/124	4

DODIC	NSN	PACK LEN	PACK WID	PACK HGT	PACK DIA	PACK WGT	PACK CUBE	RDS/ PACK	PACKAGE TYPE	PACKAGE DRAWING #	NOMENCLATURE	BASE TYPE	UNIT LOAD LEN	UNIT LOAD WID	UNIT LOAD HGT	UNIT LOAD WGT	UNIT LOAD CUBE	PKG/ UNIT LOAD	UNIT LOAD DRAWING	SECT. 2 INDEX #
MW37	1375004383920	11.875	9.75	9.75		9	0.7	6	M19		DRIVER, POWDER ACTUATED MK22 MOD 0	FBPBX	42	53	36.25	590	46.7	48	4169/124	4
MW52	1375001475897	42.375	9.6875	11.5625		100	2.7	1	MET BOX	2499824	CHARGE, DEMOLITION SHEET MK57 MOD 0	WP1	42.375	48.4375	40.1875	1589	47.8	15	4116/120V	1
MW53	1375001475896	13.25	11	3.625		16	0.3	16	WDN BOX		CHARGE, DEMOLITION SHEET MK56 MOD 0	WP1B	44	53	38.125	2403	51.5	144	4116/120U	1
MW56	1375001757133	17.5	13.75	12		28	1.7	24	WDN BOX		SAFETY AND ARMING DEVICE, MK39 MOD 0	WP1	41.25	52.5	41.5	843	52	27	4116/128G	1
MW84	1375010140587	51	43	4.5		137	5.7	1	WDN BOX	7082043	CHARGE KIT, DEMOLITION TUBULAR MK75 MOD 0 SWIMMERS WEAPONS SYSTEM	WP1	43	51	41	1182	52.3	8	4116/120DD	1
MW84	1375015655339	51	43	4.5		137	5.7	1	WDN BOX	7082043	CHARGE KIT, DEMOLITION TUBULAR (SWS) MK75 MOD 0 WITH TAGGANT	WP1	43	51	41	1182	52.3	8	4116/120DD	1
MW85	1375010143356	19.325	13.325	14.75		16	2.2	4	FB BOX		CHARGE ACCESSORY KIT, DEMO TUBULAR MK29 MOD 0	WBPBX	40.875	58.875	36.5	441	50.8	18	4169/128	4
MW85	1375010143356	19.325	13.325	14.75		16	2.2	4	FB BOX		CHARGE ACCESSORY KIT, DEMO TUBULAR MK29 MOD 0	FBPBX	40	48	47.125	430	52.4	18	4169/128	4
MY57	1376007721370									IMR 4064	PROPELLANT, 1 POUND CAN IMR 4064									1
MY77	1375011805779									TOVEK 100	EXPLOSIVE, WATER GEL TOVEK 100									1
M206	6920015182412			14.75	24.375	88	5.1	2	MET DRUM	MS27683	DEMOLITION KIT, TRAINING M324	SKII	26	50.25	33.5	426	25.3	4	4318/117A	2
N200	1390003012070	14.875	13.625	8		92	0.9	20	WDN BOX		FUZE, PD CONCRETE PIERCING M78	WP1	40.875	48	35.25	3401	40	36	4116/156N	1
N236	1390008817635	14.625	12.8125	8.5625		56	0.9	16	WBD BOX		FUZE, POINT DETONATING M508 WITH BOOSTER	WP1	43.875	51.25	31.25	2103	40.7	36	*4116/156	1
N248	1390008892104	14.625	12.8125	8.5625		55	0.9	16	WBD BOX	12960853	FUZE, MT W/O BOOSTER M565	WP1	43.875	51.25	31.25	2069	40.7	36	4116/156	1
N248	1390009935691	14.625	12.8125	8.5625		55	0.9	16	WBD BOX	12960853	FUZE, MT W/O BOOSTER M565	WP1	43.875	51.25	31.25	2069	40.7	36	4116/156	1
N250	1390004518695	21.625	15.625	5.5		98	1.1	48	WDN BOX		FUZE, MT W/O BOOSTER MK342 MOD 1	WP1	43.25	48.375	38.5	3632	46.6	36	4116/156V	1
N260	1390002288383	18.875	17.5	7.25		62	1.4	200	WDN BOX		FUZE, PIBD M509A2	WP1A	37.75	52.5	41.75	1931	47.9	30	4116/156C	1
N260	1390010510898	18.875	17.5	7.25		62	1.4	200	WDN BOX		FUZE, PIBD M509A1	WP1A	37.75	52.5	41.75	1931	47.9	30	4116/156C	1
N260	1390010933671	18.875	17.5	7.25		62	1.4	200	WDN BOX		FUZE, PIBD M509A2	WP1A	37.75	52.5	41.75	1931	47.9	30	4116/156C	1
N265	1390008572989	14.3125	10.5625	11.2188		66	1	40	WDN BOX		FUZE, BASE DETONATING M91A2	WP1B	42.25	57.25	39.1563	3266	54.8	48	4116/156U	1
N266	1390010545109	14.875	10.9375	12.0938		78	1.1	40	WDN BOX		FUZE, BD M62A2	WP1	43.75	48.375	50.125	3834	61.4	48	4116/156T	1
N275	1390000284908	16.75	9.75	8.875		49	0.8	15	WDN BOX	9281170	FUZE, MTSQ M500 W/BOOSTER	WP1A	39	50.25	49.875	3018	56.6	60	4116/156B	1
N275	1390000284909	18	15.875	9.125		49	1.5	25	WDN BOX		FUZE, MTSQ M500 W/BOOSTER	WP1A	36	47.625	51.125	1541	50.7	30	4116/156A	1
N275	1390000284910	18.5	10.875	15.75		101	1.8	30	WDN BOX		FUZE, MTSQ M500 W/BOOSTER	WP1A	37	47.5	49	2495	49.8	24	4116/156J	1
N275	1390000284911	16.75	9.75	8.875		49	0.8	15	WDN BOX	9281170	FUZE, MTSQ M500A1 W/BOOSTER	WP1A	39	50.25	49.875	3018	56.6	60	4116/156B	1
N275	1390000284912	18.5	10.875	15.75		91	1.8	30	WDN BOX		FUZE, MTSQ M500 W/BOOSTER	WP1A	37	47.5	49	2255	49.8	24	4116/156J	1
N276	1390000284913	18.5	13.875	12.875		85	1.9	40	WDN BOX		FUZE, MTSQ M501 W/O BOOSTER	WP1A	37	51.5	47.125	2112	52	24	4116/156L	1
N276	1390000284914	18	15.875	9.125		70	1.5	25	WDN BOX		FUZE, MTSQ M501 W/O BOOSTER	WP1A	36	47.625	51.125	2171	50.7	30	4116/156A	1
N276	1390000284915	16.75	12.625	12.25		82	1.5	40	WDN BOX		FUZE, MTSQ M501 W/O BOOSTER	WP1	40.125	49	39	2081	44.4	24	4116/156M	1
N276	1390000284916	18.5	13.875	12.875		85	1.9	40	WDN BOX		FUZE, MTSQ M501 W/O BOOSTER	WP1A	37	51.5	47.125	2112	52	24	4116/156L	1
N276	1390003050868	18.5	13.875	12.875		80	1.9	26	WDN BOX		FUZE, MTSQ W/O BOOSTER M501A1	WP1A	37	51.5	47.125	1992	52	24	4116/156L	1
N276	1390008924897	14.625	12.8125	8.5625		53	0.9	16	WBD BOX	12960853	FUZE, MTSQ W/O BOOSTER M501A1	WP1	43.875	51.25	31.25	1997	40.7	36	4116/156	1
N276	1390009356140	14.625	12.8125	8.5625		44	0.9	16	WBD BOX	12960853	FUZE, MTSQ W/O BOOSTER M501A1	WP1	43.875	51.25	31.25	1673	40.7	36	4116/156	1
N276	1390009356141	14.625	12.8125	8.5625		44	0.9	16	WBD BOX	12960853	FUZE, MTSQ W/O BOOSTER M501	WP1	43.875	51.25	31.25	1673	40.7	36	4116/156	1
N276	1390009356144	14.625	12.8125	8.5625		44	0.9	16	WBD BOX	12960853	FUZE, MTSQ W/O BOOSTER M501	WP1	43.875	51.25	31.25	1673	40.7	36	4116/156	1
N277	1390000284498	16.75	9.75	8.875		50	0.8	15	WDN BOX	9281170	FUZE, MTSQ W/BOOSTER M502/M502A1	WP1A	39	50.25	49.875	3076	56.6	60	4116/156B	1
N278	1390008892044	14.625	12.8125	8.5625		56	0.9	16	WBD BOX	12960853	FUZE, MTSQ W/BOOSTER M564	WP1	43.875	51.25	31.25	2105	40.7	36	4116/156	1
N278	1390010326130	14.625	12.8125	8.5625		56	0.9	16	WBD BOX	12960853	FUZE, MTSQ W/BOOSTER M564	WP1	43.875	51.25	31.25	2105	40.7	36	4116/156	1
N280	1390000601928	14.625	12.8125	8.5625		54	0.9	16	WBD BOX		FUZE, MTSQ W/BOOSTER M520	WP1	43.875	51.25	31.25	2031	40.7	36	*4116/156	1
N280	1390008924089	18.5	13.875	12.875		80	1.9	26	WDN BOX		FUZE, MTSQ W/BOOSTER M520A1	WP1A	37	51.5	47.125	1992	52	24	4116/156L	1
N280	1390008924264	14.625	12.8125	8.5625		56	0.9	16	WBD BOX	12960853	FUZE, MTSQ W/BOOSTER M520A1	WP1	43.875	51.25	31.25	2105	40.7	36	4116/156	1
N282	1390008143422	14.625	12.8125	8.5625		56	0.9	16	WBD BOX	12960853	FUZE, MTSQ W/O BOOSTER M548	WP1	43.875	51.25	31.25	2105	40.7	36	4116/156	1
N282	1390008924193	16.75	9.75	8.875		50	0.8	15	WDN BOX	9281170	FUZE, MTSQ W/O BOOSTER M548	WP1A	39	50.25	49.875	3076	56.6	60	4116/156B	1
N282	1390008924193	14.625	12.8125	8.5625		56	0.9	16	WBD BOX	12960853	FUZE, MTSQ W/O BOOSTER M548	WP1	43.875	51.25	31.25	2105	40.7	36	4116/156	1
N283	1390009841123	14.625	12.8125	8.5625		46	0.9	16	WBD BOX		FUZE, MTSQ W/O BOOSTER M562	WP1	43.875	51.25	31.25	1743	40.7	36	*4116/156	1
N285	1390008050692	14.625	12.8125	8.5625		45	0.9	16	WBD BOX	12960853	FUZE, MTSQ W/O BOOSTER M577	WP1	43.875	51.25	31.25	1709	40.7	36	4116/156	1
N285	1390011588194	14.625	12.8125	8.5625		45	0.9	16	WBD BOX	12960853	FUZE, MTSQ W/O BOOSTER M577A1	WP1	43.875	51.25	31.25	1709	40.7	36	4116/156	1
N285	1390012474013	14.625	12.8125	8.5625		45	0.9	16	WBD BOX	12960853	FUZE, MTSQ W/O BOOSTER M577A1	WP1	43.875	51.25	31.25	1709	40.7	36	4116/156	1
N286	1390001695864	14.625	12.8125	8.5625		46	0.9	16	WBD BOX	12960853	FUZE, MTSQ W/BOOSTER M582	WP1	43.875	51.25	31.25	1745	40.7	36	4116/156	1
N286	1390011588193	14.625	12.8125	8.5625		46	0.9	16	WBD BOX	12960853	FUZE, MTSQ W/BOOSTER M582A1	WP1	43.875	51.25	31.25	1745	40.7	36	4116/156	1
N286	1390011598044	14.625	12.8125	8.5625		46	0.9	16	WBD BOX	12960853	FUZE, MTSQ W/BOOSTER M582	WP1	43.875	51.25	31.25	1745	40.7	36	4116/156	1
N286	1390012474012	14.625	12.8125	8.5625		46	0.9	16	WBD BOX	12960853	FUZE, MTSQ W/BOOSTER M582A1	WP1	43.875	51.25	31.25	1745	40.7	36	4116/156	1
N287	1390010466802	14.625	12.8125	8.5625		56	0.9	16	WBD BOX	12960853	FUZE, MTSQ W/O BOOSTER M564	WP1	43.875	51.25	31.25	2105	40.7	36	4116/156	1
N288	1390010508897	24.5	14.5	11.125		78	2.3	120	WDN BOX		FUZE, MULTI-OPTION W/BOOSTER M734	WP1	43.5	49	38.875	1492	48	18	4116/157D	

DODIC	NSN	PACK LEN	PACK WID	PACK HGT	PACK DIA	PACK WGT	PACK CUBE	RDS/PACK	PACKAGE TYPE	PACKAGE DRAWING #	NOMENCLATURE	BASE TYPE	UNIT LOAD LEN	UNIT LOAD WID	UNIT LOAD HGT	UNIT LOAD WGT	UNIT LOAD CUBE	PKG/UNIT LOAD	UNIT LOAD DRAWING	SECT. 2 INDEX #
N311	1390008924898	14.625	12.8125	8.5625		59	0.9	16	WBD BOX	12960853	FUZE, PD W/BOOSTER M572	WP1	43.875	51.25	31.25	2213	40.7	36 4116/156	1	
N312	1390006824718	22.5	15.3125	12.375		70	2.5	96	WDN BOX		FUZE, PD W/BOOSTER M525	WP1A	37.125	46.5	51.5	1352	51.4	18 4116/156H	1	
N313	1390009352029	22.5	15.3125	12.375		70	2.5	96	WDN BOX		FUZE, PD W/BOOSTER M527B1	WP1A	37.125	46.5	51.5	1352	51.4	18 4116/156H	1	
N318	1390000284898	18	15.875	13.125		105	2.2	50	WDN BOX		FUZE, POINT DETONATING M48A3 0.05-S	WP1A	36	47.625	44.875	1961	44.5	18 4116/156H	1	
N318	1390009351952	14.625	12.8125	8.5625		45	0.9	16	WBD BOX	12960853	FUZE, PD W/O BOOSTER M48A3	WP1	43.875	51.25	31.25	1709	40.7	36 4116/156	1	
N319	1390000284892	16.75	9.75	8.875		50	0.8	15	WDN BOX	9281170	FUZE, POINT DETONATING W/BOOSTER M51A5	WP1A	39	50.25	49.875	3076	56.6	60 4116/156B	1	
N319	1390000284901	14.625	12.8125	8.5625		56	0.9	16	WBD BOX	12960853	FUZE, POINT DETONATING M51A5 W/BOOSTER	WP1	43.875	51.25	31.25	2105	40.7	36 4116/156	1	
N319	1390000284903	16.75	9.75	8.875		52	0.8	15	WDN BOX	9281170	FUZE, POINT DETONATING M51A5 W/BOOSTER	WP1A	39	50.25	49.875	3196	56.6	60 4116/156B	1	
N319	1390000284905	18.5	10.875	15.75		97	1.8	30	WDN BOX		FUZE, POINT DETONATING M51A5 W/BOOSTER	WP1A	37	47.5	49	2399	49.8	24 4116/156J	1	
N319	1390003241417	18	16	9		89	1.5	28	WDN BOX		FUZE, PD W/BOOSTER M51A5	WP1A	36	48	41.5	2206	41.5	24 4116/156P	1	
N319	1390003241418	17.875	16	7.75		82	1.3	25	WDN BOX		FUZE, PD W/BOOSTER M51A5	WP1A	35.75	48	52	3023	51.6	36 4116/156Q	1	
N319	1390008924153	14.625	12.8125	8.5625		56	0.9	16	WBD BOX	12960853	FUZE, PD W/BOOSTER M51A5	WP1	43.875	51.25	31.25	2105	40.7	36 4116/156	1	
N323	1390008140266	14.625	12.8125	8.5625		56	0.9	16	WBD BOX	12960853	FUZE, PD W/O BOOSTER M535	WP1	43.875	51.25	31.25	2105	40.7	36 4116/156	1	
N326	1390009630668	16.75	9.75	8.875		50	0.8	15	WDN BOX	9281170	FUZE, PD W/BOOSTER M508	WP1A	39	50.25	49.875	3076	56.6	60 4116/156B	1	
N329	1390009787764	14.625	12.8125	8.5625		45	0.9	16	WBD BOX	12960853	FUZE, PD W/BOOSTER M519	WP1	43.875	51.25	31.25	1709	40.7	36 4116/156	1	
N330	1390009263973	14.625	12.8125	8.5625		56	0.9	16	WBD BOX	12960853	FUZE, PD CONCRETE PIERCING NON-DELAY W/BOOSTER M78	WP1	43.875	51.25	31.25	2105	40.7	36 4116/156	1	
N331	1390003241419	15.375	13.5	8		77	1	20	WDN BOX		FUZE, PD CONCRETE PIERCING DELAY W/BOOSTER M78	WP1A	40.5	46.125	45.5	3537	49.2	45 4116/156K	1	
N331	1390006767837	14.625	12.8125	8.5625		56	0.9	16	WBD BOX	12960853	FUZE, PD CONCRETE PIERCING DELAY M78A1	WP1	43.875	51.25	31.25	2105	40.7	36 4116/156	1	
N331	1390009263932	14.625	12.8125	8.5625		56	0.9	16	WBD BOX	12960853	FUZE, PD CONCRETE PIERCING DELAY M78A1	WP1	43.875	51.25	31.25	2105	40.7	36 4116/156	1	
N331	1390009359145	15.375	13.5	8		77	1	20	WDN BOX		FUZE, PD CONCRETE PIERCING DELAY M78A1	WP1A	40.5	46.125	45.5	3537	49.2	45 4116/156K	1	
N334	1390001823029	15.125	11.25	14.75		65	1.5	40	WBD BOX		FUZE, PD DELAY W/O BOOSTER M567	WP1A	35.25	45.5	49.75	1847	46.2	27 4116/156W	1	
N334	1390013480214	14.625	12.8125	8.5625		43	0.9	16	WBD BOX	12960853	FUZE, PD DELAY W/O BOOSTER M567/M567E8	WP1	43.875	51.25	31.25	1637	40.7	36 4116/156	1	
N335	1390001875392	14.625	12.8125	8.5625		56	0.9	16	WBD BOX	12960853	FUZE, PD W/BOOSTER M557	WP1	43.875	51.25	31.25	2105	40.7	36 4116/156	1	
N335	139000892014	18	15.875	9.125		98	1.5	25	WDN BOX		FUZE, PD W/BOOSTER M557	WP1A	36	47.625	51.125	3011	50.7	30 4116/156A	1	
N335	1390008924302	14.625	12.8125	8.5625		56	0.9	16	WBD BOX	12960853	FUZE, PD W/BOOSTER M557	WP1	43.875	51.25	31.25	2105	40.7	36 4116/156	1	
N335	1390010804171	14.625	12.8125	8.5625		56	0.9	16	WBD BOX	12960853	FUZE, PD W/BOOSTER NON-PROPAGATING PACK M557	WP1	43.875	51.25	31.25	2105	40.7	36 4116/156	1	
N340	1390005747705	14.625	12.8125	8.5625		46	0.9	16	WBD BOX	12960853	FUZE, PD W/BOOSTER M739	WP1	43.875	51.25	31.25	1745	40.7	36 4116/156	1	
N340	1390010809447	14.625	12.8125	8.5625		46	0.9	16	WBD BOX	12960853	FUZE, PD W/BOOSTER NON-PROPAGATING PACK M739	WP1	43.875	51.25	31.25	1745	40.7	36 4116/156	1	
N340	1390011327481	14.625	12.8125	8.5625		46	0.9	16	WBD BOX	12960853	FUZE, PD W/O BOOSTER M739A1	WP1	43.875	51.25	31.25	1745	40.7	36 4116/156	1	
N342	1390011247584	24.5	14.5	11.125		78	2.3	120	WDN BOX		FUZE, PD W/BOOSTER M935	WP1	43.5	49	38.875	1492	48	18 4116/157D	1	
N342	1390012689155	18.5938	8.2969	14.5938		71	1.3	72	M548		FUZE, PD W/BOOSTER M935	WP1	40.5	49.75	49	2720	57.1	36 4116/157E	1	
N384	1390004718665	19.375	17.625	6.75		65	1.3	24	WDN BOX		FUZE, TIME W/O BOOSTER M84A1	WP1A	38.75	52.875	52.75	2801	62.5	42 4116/155	1	
N386	1390004256265	14.625	12.8125	8.5625		45	0.9	16	WBD BOX	12960853	FUZE, MT W/O BOOSTER M592	WP1	43.875	51.25	31.25	1709	40.7	36 4116/156	1	
N402	1390007649124	14.625	12.8125	8.5625		42	0.9	16	WBD BOX	12960853	FUZE, PROXIMITY M532	WP1	43.875	51.25	31.25	1601	40.7	36 4116/156	1	
N411	1390003050867	15.25	12	14.5		97	1.5	25	MET BOX		FUZE, PROXIMITY M514A1	WP1A	36	45.75	49	2691	46.7	27 4116/157A	1	
N411	1390003094966	15.25	12	14.5		68	1.5	12	MET BOX		FUZE, PROXIMITY M514	WP1A	36	45.75	49	1887	46.7	27 4116/157A	1	
N411	1390003094973	15.25	12	14.5		63	1.5	12	MET BOX		FUZE, PROXIMITY M514B1	WP1A	36	45.75	49	1752	46.7	27 4116/157A	1	
N411	1390003094974	15.25	12	14.5		68	1.5	12	MET BOX		FUZE, PROXIMITY M514A1	WP1A	36	45.75	49	1887	46.7	27 4116/157A	1	
N411	1390003241421	15.25	12	14.5		98	1.5	25	MET BOX		FUZE, PROXIMITY M514B1	WP1A	36	45.75	49	2718	46.7	27 4116/157A	1	
N412	1390003011094	15.25	12	14.5		98	1.5	25	MET BOX		FUZE, PROXIMITY M513	WP1A	36	45.75	49	2718	46.7	27 4116/157A	1	
N412	1390003050866	15.25	12	14.5		97	1.5	25	MET BOX		FUZE, PROXIMITY M513A1	WP1A	36	45.75	49	2670	46.7	27 4116/157A	1	
N412	1390003094272	15.25	12	14.5		63	1.5	0	MET BOX		FUZE, PROXIMITY M513A1	WP1A	36	45.75	49	1752	46.7	27 4116/157A	1	
N412	1390003094965	15.25	12	14.5		68	1.5	12	MET BOX		FUZE, PROXIMITY M513	WP1A	36	45.75	49	1887	46.7	27 4116/157A	1	
N412	1390003094971	15.25	12	14.5		63	1.5	12	MET BOX		FUZE, PROXIMITY M513B1	WP1A	36	45.75	49	1752	46.7	27 4116/157A	1	
N412	1390003094972	15.25	12	14.5		63	1.5	12	MET BOX		FUZE, PROXIMITY M513A1	WP1A	36	45.75	49	1752	46.7	27 4116/157A	1	
N412	1390005922211	14.625	12.8125	11.9375		63	1.3	16	WBD BOX		FUZE, PROXIMITY M513B1	WP1	43.875	51.25	53.25	3112	69.3	48 *4116/157B	1	
N412	1390006926896	15.25	12	14.5		97	1.5	25	MET BOX		FUZE, PROXIMITY M513A1	WP1A	36	45.75	49	2670	46.7	27 4116/157A	1	
N417	1390001929559	19.0625	12.25	8.375		46	1.1	24	WBD BOX		FUZE, PROXIMITY M517	WP1	40.375	49	39	1590	44.7	32 4116/157C	1	
N417	1390003241420	17.5	13.125	9.75		48	1.3	20	WDN BOX		FUZE, PROXIMITY M517	WP1	40	48.75	40.5	1528	45.7	30 4116/157	1	
N459	1390011623841	14.625	12.8125	8.5625		50	0.9	16	WBD BOX		FUZE, PROXIMITY M732A1	WP1	43.875	51.25	31.25	1880	40.7	36 *4116/156	1	
N462	1390009359246	14.625	12.8125	11.9375		63	1.3	16	WBD BOX		FUZE, PROXIMITY M514A1	WP1	43.875	51.25	53.25	3114	69.3	48 4116/157B	1	
N463	1390001823132	14.625	12.8125	11.9375		63	1.3	16	WBD BOX		FUZE, PROXIMITY M728	WP1	43.875	51.25	53.25	3114	69.3	48 4116/157B	1	
N464	1390010200096	14.625	12.8125	8.5625		50	0.9	16	WBD BOX	8861213	FUZE, PROXIMITY M732	WP1	43.875	51.25	31.25	1890	40.7	36 4116/156G	1	
N464	1390011375444	14.625	12.8125	8.5625		50	0.9	16	WBD BOX	8861213	FUZE, PROXIMITY M732	WP1	43.875	51.25	31.25	1890	40.7	36 4116/156G	1	
N464	1390012021710	14.625	12.8125	8.5625		50	0.9	16	WBD BOX	8861213	FUZE, PROXIMITY M732	WP1	43.875	51.25	31.25	1890	40.7	36 4116/156G	1	
N477	139000926405																			

DODIC	NSN	PACK LEN	PACK WID	PACK HGT	PACK DIA	PACK WGT	PACK CUBE	RDS/ PACK	PACKAGE TYPE	PACKAGE DRAWING #	NOMENCLATURE	BASE TYPE	UNIT LOAD LEN	UNIT LOAD WID	UNIT LOAD HGT	UNIT LOAD WGT	UNIT LOAD CUBE	PKG/ UNIT LOAD	UNIT LOAD DRAWING	SECT. 2 INDEX #
N531	1390008251382	21.375	10	9.7812		82	14.5	500	WDN BOX		PRIMER, PERCUSSION M1B1A2	WP1	42.75	50	44.625	3368	55.2	40 4116/158F	1	
N531	1390008572967	21.375	10	9.7812		82	14.5	500	WDN BOX		PRIMER, PERCUSSION M1A2	WP1	42.75	50	44.625	3368	55.2	40 4116/158F	1	
N532	1390008287449	25	12.8125	11.0312		55	2	1000	WDN BOX		PRIMER, PERCUSSION M71A1/M71E1	WP1A	38.5	50	38.625	1062	43	18 4116/158C	1	
N532	1390009359232	25	12.8125	11.0312		55	2	1000	WDN BOX		PRIMER, PERCUSSION M71A2	WP1A	38.5	50	38.625	1062	43	18 4116/158C	1	
N533	1390010545137	14.625	12.8125	8.5625		50	0.9	11648	WBD BOX		PRIMER, PERCUSSION M92A1	WP1	43.875	51.25	31.25	1887	40.7	36 4116/159A	1	
N547	1390002288416	23.75	16.6875	10.2188		85	2.3	45	WDN BOX		PRIMER, ELECTRIC M80A1	WP1	40.875	50.125	53	2129	62.8	24 4116/159B	1	
N552	1390009356049	26.25	15.375	7.25		64	1.7	45	WDN BOX		PRIMER, ELECTRIC M83	WP1	43.5	52.5	36.25	1622	47.9	24 4116/159	1	
N555	1390010545135	20.75	16.6875	10.2188		73	2	45	WDN BOX		PRIMER, ELECTRIC M120	WP1	41.5	50.125	36.125	1399	43.5	18 4116/159C	1	
N558	1390008572955	17.25	12.625	9.75		86	1.2	200	WDN BOX		PRIMER, PERCUSSION M60A1	WP1A	39	51.75	30.75	2134	35.9	24 4116/158D	1	
N589	1390009800494	14.625	12.8125	8.5625		65	0.9	11648	WBD BOX		PRIMER, ELECTRIC M52A3B1	WP1	43.875	51.25	31.25	2427	40.7	36 4116/159A	1	
N600	1390010624574	14.625	12.8125	8.5625		56	0.9	16	WBD BOX		FUZE, ELECTRONIC TIME M587	WP1	43.875	51.25	31.25	2103	40.7	36 *4116/156	1	
N601	1390010683936	14.625	12.8125	8.5625		49	0.9	16	WBD BOX	8861213	FUZE, ELECTRONIC TIME M724	WP1	43.875	51.25	31.25	1853	40.7	36 4116/156S	1	
N634	1390000701022	14.1875	12.375	11.125		92	1.1	120	WDN BOX		BOOSTER, FUZE M125A1	WP1	42.625	49.5	38.875	3400	47.5	36 4116/160	1	
N658	1390012409257	18.5938	8.2969	14.5938		71	1.3	72	M548		FUZE, PD M936	WP1	40.5	49.75	49	2720	57.1	36 4116/157E	1	
N660	1390012590661	18.5938	8.2969	14.5938		66	1.3	72	M548		FUZE, PD W/BOOSTER M745	WP1	40.5	49.75	49	2540	57.1	36 4116/157E	1	
N660	1390013592887	24.5	14.5	11.125		78	2.3	120	WDN BOX		FUZE, W/BOOSTER M745	WP1	43.5	49	38.875	1492	48	18 4116/157D	1	
N664	1390013840604	23.125	14.0625	12.3125		58	2.3	80	WDN BOX	12598355	FUZE, PD PRACTICE M751	WP1	42.1875	49.25	51.75	1481	62.2	24 4116/156X	1	
N700	1390011230006	15.75	9.4375	8		75	0.7	450	WDN BOX		IGNITER, ELECTRIC PRIMER M63	WP1A	37.75	47.25	37.5	3675	38.7	48 4116/159D	1	
NA02	1390013996878	23.125	14.0625	12.3125		58	2.3	80	WDN BOX	12598355	FUZE, PD PRACTICE M775	WP1	42.1875	49.25	51.75	1481	62.2	24 4116/156X	1	
NA04	1390014138330	23.125	14.0625	12.3125		58	2.3	80	WDN BOX	12598355	FUZE, PD PRACTICE M779	WP1	42.1875	49.25	51.75	1481	62.2	24 4116/156X	1	
NA06	1390014193289	18.5938	8.2969	14.5938		66	1.3	72	M548		FUZE, MULTI-OPTION M734A1 LOADED ASSEMBLY	WP1	40.5	49.75	49	2540	57.1	36 4116/157E	1	
NA08	1390014362308	14.625	12.8125	8.5625		47	0.9	16	WBD BOX	12960853	FUZE, MULTI-OPTION FOR ARTILLERY (MOFA) W/BOOSTER M773	WP1	43.875	51.25	31.25	1781	40.7	36 4116/156	1	
NA09	1390014620699	14.625	12.8125	8.5625		53	0.9	16	WBD BOX	12960853	FUZE, MOFA M782	WP1	43.875	51.25	31.25	1997	40.7	36 4116/156	1	
NA10	1390014620661	14.625	12.8125	8.5625		45	0.9	16	WBD BOX	12960853	FUZE, MTSQ M577A1	WP1	43.875	51.25	31.25	1709	40.7	36 4116/156	1	
NA13	1390014641535	23.125	14.0625	12.3125		58	2.3	80	WDN BOX	12598355	FUZE, PD PRACTICE M781	WP1	42.1875	49.25	51.75	1481	62.2	24 4116/156X	1	
NA15	1390014742262	14.625	12.8125	8.5625		42	0.9	16	WBD BOX	8861213	FUZE, ELECTRONIC TIME M767A1	WP1	43.875	51.25	31.25	1601	40.7	36 4116/156S	1	
NA16	1390014742272	14.625	12.8125	8.5625		40	0.9	16	WBD BOX	8861213	FUZE, ELECTRONIC TIME M767A1	WP1	43.875	51.25	31.25	1529	40.7	36 4116/156S	1	
NA17	1390014742268	14.625	12.8125	8.5625		40	0.9	16	WBD BOX	8861213	FUZE, ELECTRONIC TIME M762A1	WP1	43.875	51.25	31.25	1529	40.7	36 4116/156S	1	
NA18	1390014826009	14.625	12.8125	8.5625		54	0.9	16	WBD BOX	12960853	FUZE, PROXIMITY FMU-160/B	WP1	43.875	51.25	31.25	2033	40.7	36 4116/156	1	
NA19	1390014834698	18.5938	8.2969	14.5938		66	1.3	72	M548		FUZE, POINT DETONATING W/BOOSTER M783	WP1	40.5	49.75	49	2540	57.1	36 4116/157E	1	
NA23	1390015013343	18.5938	8.2969	14.5938		66	1.3	72	M548		FUZE, MULTI-OPTION M734A1	WP1	40.5	49.75	49	2540	57.1	36 4116/157E	1	
NA28	1390015790413	14.3438	5.75	13.875		28.3	0.66	3	PA125	28079585	FUZE, MULTIOPTION PRECISION GUIDANCE KIT (PGK) XM1156	WP1	44.5	51.75	33.25	1651	44.3	54 4116/157F	1	
NA29	1390016170269	14.3438	5.75	13.875		28.3	0.66	3	PA125	28079585	FUZE, MULTIOPTION PRECISION GUIDANCE KIT (PGK) M1156	WP1	44.5	51.75	33.25	1651	44.3	54 4116/157F	1	
NA35	1390016756755	14.4375	12.5625	8.125		33.73	0.9	200	WBD BOX	13101863	PRIMER, PERCUSSION M82A1	WP1	43.3125	50.25	38	1723	47.9	48 4116/158G	1	
NA36	1390016802062	14.3438	5.75	13.875		29.6	0.66	3	PA125	28079585	FUZE, MULTIOPTION PRECISION GUIDANCE KIT (PGK) M1156	WP1	44.5	51.75	33.25	1721	44.3	54 4116/157F	1	
NA37	1390016906310	14.3438	5.75	13.875		28.6	0.66	3	PA125	28079585	FUZE, MULTIOPTION PRECISION GUIDANCE KIT (PGK) M1156A1	WP1	44.5	51.75	33.25	1667	44.3	54 4116/157F	1	
NW90	6920010042270								CNU-242		GM, TRAINING PHOENIX ATM-54A-2		168	38	30	2775	110.8	2	194	
OY01	1325014630555	49.5	13.8125	12.5		141	4.95	1	CNU-371	817352-10	GUIDANCE CONTROL SECTION, WGU-36B/B	MK3 MP	41.4375	49.5	41.5	1375	48.7	9 6214084	191	
OY02	1325014630562								CNU-373	817218-30	AIRFOIL GROUP, BSG-92A/B		64.25	44	38.5	836	63	2	167	
PA31	1410001256760								CNU-445		GM, SURFACE ATTACK AGM-65B MAVERICK		108.875	28.1875	29.5	1120	52.4	1 879475	126	
PA33	1410002381486								CNU-445		GM, SURFACE ATTACK AGM-65A MAVERICK		108.875	28.1875	29.5	1120	52.4	1 879475	126	
PA37	1410000011644								CNU-167		GM, SURFACE ATTACK SHRIKE AGM-45B-3		140.25	36	25	1804	73.1	3 2603480	149	
PA39	1410011900634								CNU-449		GM, SURFACE ATTACK AGM-45B-4 SHRIKE		145.5	42.125	18.375	2200	65.2	4 879599	112	
PA42	1410002721814								CNU-242		GM, TACTICAL PHOENIX AIM-54A		168	38	30	2550	110.8	2	194	
PA44	1410009308358	125	17.875	19		280	24.7	1	M570	11508877-1	GM, INTERCEPT AERIAL MIM-72A CHAPARRAL	SKID	36	128.25	44.625	1402	119.2	4 5235	134	
PA45	1410001508932	52.5	15	14.75		116	6.7	1	M555	10399055	GM, SURFACE ATTACK MGM-51C SHILLELAGH	WP1	45	52.5	51	1187	70.5	9 5225	132	
PA45	1410008787219	52.5	15	14.75		116	6.7	1	M555		GM, SURFACE ATTACK MGM-51C SHILLELAGH	WP1	45	52.5	51	1187	70.5	9 5225	132	
PA45	1410009304724	52.5	15	14.75		116	6.7	1	M555		GM, SURFACE ATTACK MGM-51B SHILLELAGH	WP1	45	52.5	51	1187	70.5	9 5225	132	
PA45	1410009990857	52.5	15	14.75		116	6.7	1	M555		GM, SURFACE ATTACK MGM-51A SHILLELAGH	WP1	45	52.5	51	1187	70.5	9 5225	132	
PA46	1410001508940	52.5	15	14.75		116	6.7	1	M555		GM, PRACTICE MGM-51C-1 SHILLELAGH	WP1	45	52.5	51	1187	70.5	9 5225	132	
PA46	1410009304722	52.5	15	14.75		116	6.7	1	M555		GM, PRACTICE MGM-51B SHILLELAGH	WP1	45	52.5	51	1187	70.5	9 5225	132	
PA46	1410009990132	52.5	15	14.75		116	6.7	1	M555		GM, PRACTICE MGM-51A SHILLELAGH	WP1	45	52.5	51	1187	70.5	9 5225	132	
PA46	1410018787218	52.5	15	14.75		116	6.7	1	M555		GM, PRACTICE MGM-51 SHILLELAGH	WP1	45	52.5	51	1187	70.5	9 5225	132	
PA49	1410010876343								CANISTER		GM, INTERCEPT PATRIOT		234	42.375	38.75	3750	222.4	1 10272897	165	
PA50	1410004275484								CNU-242		GM, TACTICAL PHOENIX AIM-54A		168	38	30	2550	110.8	2	194	
PA51	1410004275486								CNU-242		GM, TACTICAL PHOENIX AIM-54A		168	38	30	2550	110.8	2	194	
PA52	1410004275493								CNU-242		GM, TACTICAL PHOENIX AIM-54A		168	38	30	2550	110.8	2	194	
PA53</																				

DODIC	NSN	PACK LEN	PACK WID	PACK HGT	PACK DIA	PACK WGT	PACK CUBE	RDS/ PACK	PACKAGE TYPE	PACKAGE DRAWING #	NOMENCLATURE	BASE TYPE	UNIT LOAD LEN	UNIT LOAD WID	UNIT LOAD HGT	UNIT LOAD WGT	UNIT LOAD CUBE	PKG/ UNIT LOAD	UNIT LOAD DRAWING	SECT. 2 INDEX #
PA65	1410004275545								CNU-242		GM, TACTICAL PHOENIX AIM-54A		168	38	30	2550	110.8	2		194
PA66	1410000871521	58.25	11.625	11.625		83	4.6	1	WBD BOX	10189999	GM, SURF ATTACK BGM-71A STANDARD RANGE TOW	WP1	48	58.25	39.75	1079	64.3	12	5229	133
PA66	1410000871521	58.25	11.625	11.625		83	4.6	1	WBD BOX	10189999	GM, SURF ATTACK BGM-71A STANDARD RANGE TOW	WP1A	35.25	58.25	51.25	1064	60.9	12	5229	133
PA75	1410011372921								M611		GUIDED MISSILE, INTERCEPT AERIAL MIM-23C HAWK		216	29.875	41.25	3351	149.5	1	11569363	999
PA79	1410011264662	76	14.875	16		185	10.5	1	METAL	13155079	GM, SURFACE ATTACK AGM-114A TACTICAL HELLFIRE	WP	44.375	76	53	1749	103.4	9	5250	137
PA80	1410010396153								MK608	DL 2645308	GUIDED MISSILE, TACTICAL ASROC RGM-84A-1 HARPOON		206.75	28.5	31.5	2500	107.4	1	OR-68/44	154
PA80	1410012386264								MK608	DL 2645308	GUIDED MISSILE, TACTICAL ASROC RGM-84A-1 HARPOON		206.75	28.5	31.5	2482	107.4	1	OR-68/44	154
PA84	1410010386237								MK632		GUIDED MISSILE, SURFACE ATTACK TARTAR AGM-84A-2 HARPOON		193.5	28	28.5	2210	89.4	1	OR-4/239	151
PA84	1410012386275								MK632		GUIDED MISSILE, SURFACE ATTACK TARTAR RGM-84A-2 HARPOON		193.5	28	28.5	2210	89.4	1	OR-4/239	151
PA96	1410010392949								MK630	DL5165987	GUIDED MISSILE, TACTICAL ENCAPSULATED UGM-84A-1 HARPOON		271.875	44	39.25	3667	271.7	1	OR-68/54	152
PA96	1410012571366								MK630	DL5165987	GUIDED MISSILE, TACTICAL ENCAPSULATED UGM-84A-1 HARPOON		271.875	44	39.25	3667	271.7	1	OR-68/54	152
PB01	1410012530224								MK607	DL26445309	GM, SURFACE ATTACK TACTICAL AGM-84A-1 HARPOON		168	38	32.625	3389	120.5	2	OR-68/103	145
PB01	1410012530225								MK607	DL26445309	GM, SURFACE ATTACK TACTICAL AGM-84A-1 HARPOON		168	38	32.625	3389	120.5	2	OR-68/103	145
PB05	1410010851349								MK608	DL 2645308	GUIDED MISSILE, PRACTICE ASROC RTM-84A-1 HARPOON		206.75	28.5	31.5	2482	107.4	1	OR-68/44	154
PB05	1410012419604								MK608	DL 2645308	GUIDED MISSILE, EXERCISE ASROC RTM-84A-1 HARPOON		206.75	28.5	31.5	3389	107.4	1	OR-68/44	154
PB06	1410010851350								MK608	DL 2645308	GUIDED MISSILE, TRAINING ASROC RTM-84A-1A HARPOON		206.75	28.5	31.5	2482	107.4	1	OR-68/44	154
PB07	1410010851351								MK632		GUIDED MISSILE, PRACTICE TARTAR AGM-84A-2 HARPOON		193.5	28	28.5	2210	89.4	1	OR-4/239	151
PB07	1410012415844								MK632		GUIDED MISSILE, PRACTICE TARTAR RTM-84A-2 HARPOON		193.5	28	28.5	2210	89.4	1	OR-4/239	151
PB14	1410012590685								MK630	DL5165987	GUIDED MISSILE, EXERCISE ENCAPSULATED UTM-84A-1 HARPOON		271.875	44	39.25	3667	271.7	1	OR-68/54	152
PB16	1410012530243								MK607	DL26445309	GM, SURFACE ATTACK EXERCISE ATM-84A-1 HARPOON		168	38	32.625	3389	120.5	2	OR-68/103	145
PB16	1410012530245								MK607	DL26445309	GM, SURFACE ATTACK EXERCISE ATM-84A-1 HARPOON		168	38	32.625	3389	120.5	2	OR-68/103	145
PB17	1410010851358								MK607	DL26445309	GM, SURFACE ATTACK TRAINING ATM-84A-1A HARPOON		168	38	32.625	3360	120.5	2	OR-68/103	145
PB18	1410000871527	58.25	11.625	11.625		83	4.6	1	WBD BOX	10190149	GM, SURF ATTACK PRAC BGM-71A STD RANGE TOW	WP1	48	58.25	39.75	1079	64.3	12	5229	133
PB18	1410000871527	58.25	11.625	11.625		83	4.6	1	WBD BOX	10190149	GM, SURF ATTACK PRAC BGM-71A STD RANGE TOW	WP1A	35.25	58.25	51.25	1064	60.9	12	5229	133
PB22	1410000871520	58.25	11.625	11.625		87	4.6	1	WBD BOX		GM, TELEMETRY BEM-71A TOW	WP1A	35.25	58.25	51.25	1112	60.9	12	5229	133
PB22	1410000871520	58.25	11.625	11.625		87	4.6	1	WBD BOX		GM, TELEMETRY BEM-71A TOW	WP1	48	58.25	39.75	1127	64.3	12	5229	133
PB24	1410011688663								CNU-355		GM, SURFACE ATTACK AGM-88A HARM		180	35	22.625	2400	82.5	2	808183-10	110
PB26	1410011334129								MK607	DL26445309	GM, SURFACE ATTACK TACTICAL AGM-84C-1 HARPOON		168	38	32.625	3389	120.5	2	OR-68/103	145
PB26	1410012530231								MK607	DL26445309	GM, SURFACE ATTACK TACTICAL AGM-84C-1 HARPOON		168	38	32.625	3389	120.5	2	OR-68/103	145
PB27	1410011334128								MK608	DL 2645308	GUIDED MISSILE, TACTICAL ASROC RGM-84C-1 HARPOON		206.75	28.5	31.5	2482	107.4	1	OR-68/44	154
PB27	1410012386269								MK608	DL 2645308	GUIDED MISSILE, TACTICAL ASROC RGM-84C-1 HARPOON		206.75	28.5	31.5	2482	107.4	1	OR-68/44	154
PB28	1410011334130								MK632		GUIDED MISSILE, SURFACE ATTACK TARTAR RGM-84C-2 HARPOON		193.5	28	28.5	2210	89.4	1	OR-4/239	151
PB28	1410012386280								MK632		GUIDED MISSILE, SURFACE ATTACK TARTAR RGM-84C-2 HARPOON		193.5	28	28.5	2210	89.4	1	OR-4/239	151
PB29	1410011334134								MK607	DL26445309	GM, SURFACE ATTACK EXERCISE ATM-84C-1 HARPOON		168	38	32.625	3360	120.5	2	OR-68/103	145
PB29	1410012530251								MK607	DL26445309	GM, SURFACE ATTACK EXERCISE ATM-84C-1 HARPOON		168	38	32.625	3389	120.5	2	OR-68/103	145
PB31	1410011334133								MK608	DL 2645308	GUIDED MISSILE, EXERCISE ASROC RTM-84C-1 HARPOON		206.75	28.5	31.5	2482	107.4	1	OR-68/44	154
PB31	1410012428854								MK608	DL 2645308	GUIDED MISSILE, EXERCISE ASROC RTM-84C-1 HARPOON		206.75	28.5	31.5	2482	107.4	1	OR-68/44	154
PB33	1410011334131								MK632		GUIDED MISSILE, PRACTICE TARTAR RTM-84C-2 HARPOON		193.5	28	28.5	2210	89.4	1	OR-4/239	151
PB35	1410011356894								CNU-242		GM, TACTICAL PHOENIX AIM-54C		168	38	30	2580	110.8	2		194
PB36	1410011356896								CNU-242		GM, TACTICAL PHOENIX AIM-54C		168	38	30	2580	110.8	2		194
PB37	1410011356897								CNU-242		GM, TACTICAL PHOENIX AIM-54C		168	38	30	2580	110.8	2		194
PB38	1410011356895								CNU-242		GM, TACTICAL PHOENIX AIM-54C		168	38	30	2580	110.8	2		194
PB39	1410011367566								CNU-242		GM, TACTICAL PHOENIX AIM-54C		168	38	30	2160	110.8	2		194
PB40	1410011356898								CNU-242		GM, TACTICAL PHOENIX AIM-54C		168	38	30	2580	110.8	2		194
PB41	1410011356899								CNU-242		GM, TACTICAL PHOENIX AIM-54C		168	38	30	2580	110.8	2		194
PB42	1410011356900								CNU-242		GM, TACTICAL PHOENIX AIM-54C		168	38	30	2580	110.8	2		194
PB43	1410011356901								CNU-242		GM, TACTICAL PHOENIX AIM-54C		168	38	30	2580	110.8	2		194
PB44	1410011356902								CNU-242		GM, TACTICAL PHOENIX AIM-54C		168	38	30	2580	110.8	2		194
PB45	1410011356903								CNU-242		GM, TACTICAL PHOENIX AIM-54C		168	38	30	2580	110.8	2		194
PB46	1410011356904								CNU-242		GM, TACTICAL PHOENIX AIM-54C		168	38	30	2580	110.8	2		194
PB47	1410011356905								CNU-242		GM, TACTICAL PHOENIX AIM-54C		168	38	30	2580	110.8	2		194
PB48	1410011356906								CNU-242		GM, TACTICAL PHOENIX AIM-54C		168	38	30	2580	110.8	2		194
PB49	1410011356907								CNU-242		GM, TACTICAL PHOENIX AIM-54C		168	38	30	2580	110.8	2		194
PB50	1410011367565								CNU-242		GM, TACTICAL PHOENIX AIM-54C		168	38	30	2580	110.8	2		194
PB51	1410011356908								CNU-242		GM, TACTICAL PHOENIX AIM-54C		168	38	30	2580	110.8	2		194
PB52	1410011352771								CNU-310		GM, INTERCEPT AERIAL AIM-9L SIDEWINDER		138.25	42	17.75	1380	59.7	4	785041-10	117
PB53	1410011375971								CNU-310		GM, INTERCEPT AERIAL AIM-9E-2 SIDEWINDER		138.25	42	17.75	1380	59.7	4	785041-10	117
PB54	1410011375972								CNU-310		GM, INTERCEPT AERIAL AIM-9P-3 SIDEWINDER		138.25	42	17.75	1322	59.7	4	785041-10	117
PB59	1410011391743								MK630	DL5165987	GUIDED MISSILE, TACTICAL ENCAPSULATED UGM-84C-1 HARPOON		271.875	44	39.25	3667	271.7	1	OR-68/54	152
PB59	1410012571369								MK630	DL5165987	GUIDED MISSILE, TACTICAL ENCAPSULATED UGM-84C-1 HARPOON		271.875	44	39.25	3667	271.7	1	OR-68/54	152
PB64	1410011391745								MK630	DL5165987	GUIDED MISSILE, EXERCISE ENCAPSULATED UTM-84C-1 HARPOON		271.875	44	39.25	3614	271.7	1	OR-68/54	152
PB64	141001																			

DODIC	NSN	PACK LEN	PACK WID	PACK HGT	PACK DIA	PACK WGT	PACK CUBE	RDS/ PACK	PACKAGE TYPE	PACKAGE DRAWING #	NOMENCLATURE	BASE TYPE	UNIT LOAD LEN	UNIT LOAD WID	UNIT LOAD HGT	UNIT LOAD WGT	UNIT LOAD CUBE	PKG/ UNIT LOAD	UNIT LOAD DRAWING	SECT. 2 INDEX #
PB84	1410011693113								MK607	DL26445309	GM, SURFACE ATTACK TACTICAL AGM-84C-1 HARPOON		168	38	32.625	3389	120.5	2	OR-68/103	145
PB84	1410012530230								MK607	DL26445309	GM, SURFACE ATTACK TACTICAL AGM-84C-1 HARPOON		168	38	32.625	3389	120.5	2	OR-68/103	145
PB85	1410011687566								MK607	DL26445309	GM, SURFACE ATTACK EXERCISE ATM-84A-1 HARPOON		168	38	32.625	3359	120.5	2	OR-68/103	145
PB85	1410012530244								MK607	DL26445309	GM, SURFACE ATTACK EXERCISE ATM-84A-1 HARPOON		168	38	32.625	3389	120.5	2	OR-68/103	145
PB85	1410012530246								MK607	DL26445309	GM, SURFACE ATTACK EXERCISE ATM-84A-1 HARPOON		168	38	32.625	3389	120.5	2	OR-68/103	145
PB87	1410011680339								MK607	DL26445309	GM, SURFACE ATTACK EXERCISE ATM-84C-1 HARPOON		168	38	32.625	3389	120.5	2	OR-68/103	145
PB87	1410012530252								MK607	DL26445309	GM, SURFACE ATTACK EXERCISE ATM-84C-1 HARPOON		168	38	32.625	3389	120.5	2	OR-68/103	145
PB91	1410010072507	58.25	11.625	11.625		89	4.6	1	WBD BOX	11500160	GM, SURFACE ATTACK BGM-71A1 EXT RANGE TOW	WP1	48	58.25	39.75	1151	64.3	12	5229	133
PB91	1410010072507	58.25	11.625	11.625		89	4.6	1	WBD BOX	11500160	GM, SURFACE ATTACK BGM-71A1 EXT RANGE TOW	WP1A	35.25	58.25	51.25	1136	60.9	12	5229	133
PB92	1410011068514	58.25	11.625	11.625		89	4.6	1	WBD BOX	13060893	GM, SURFACE ATTACK BGM-71C ITOW	WP1	48	58.25	39.75	1151	64.3	12	5229	133
PB92	1410011068514	58.25	11.625	11.625		89	4.6	1	WBD BOX	13060893	GM, SURFACE ATTACK BGM-71C ITOW	WP1A	35.25	58.25	51.25	1136	60.9	12	5229	133
PB93	1410011352092	58.25	11.625	11.625		93	4.6	1	WBD BOX	13194422	GM, SURFACE ATTACK BGM-71D TOW-2	WP1	48	58.25	39.75	1199	64.3	12	5229	133
PB93	1410011352092	58.25	11.625	11.625		93	4.6	1	WBD BOX	13194422	GM, SURFACE ATTACK BGM-71D TOW-2	WP1A	35.25	58.25	51.25	1184	60.9	12	5229	133
PB94	1410011391512	58.25	11.625	11.625		89	4.6	1	WBD BOX	13100906	GM, SURFACE ATTACK BGM-71A2 STD RANGE TOW	WP1	48	58.25	39.75	1151	64.3	12	5229	133
PB94	1410011391512	58.25	11.625	11.625		89	4.6	1	WBD BOX	13100906	GM, SURFACE ATTACK BGM-71A2 STD RANGE TOW	WP1A	35.25	58.25	51.25	1136	60.9	12	5229	133
PB95	1410010072508	58.25	11.625	11.625		89	4.6	1	WBD BOX	11500162	GM, PRACTICE BGM-71A1 EXTENDED RANGE TOW	WP1	48	58.25	39.75	1151	64.3	12	5229	133
PB95	1410010072508	58.25	11.625	11.625		89	4.6	1	WBD BOX	11500162	GM, PRACTICE BGM-71A1 EXTENDED RANGE TOW	WP1A	35.25	58.25	51.25	1136	60.9	12	5229	133
PB96	1410011379976	58.25	11.625	11.625		89	4.6	1	WBD BOX	13100908	GM, PRACTICE BGM-71A2 STANDARD RANGE TOW	WP1	48	58.25	39.75	1151	64.3	12	5229	133
PB96	1410011379976	58.25	11.625	11.625		89	4.6	1	WBD BOX	13100908	GM, PRACTICE BGM-71A2 STANDARD RANGE TOW	WP1A	35.25	58.25	51.25	1136	60.9	12	5229	133
PB97	1410011816032	58.25	11.625	11.625		89	4.6	1	WBD BOX	13100902	GM, SURFACE ATTACK BGM-71A3 EXT RANGE TOW	WP1	48	58.25	39.75	1151	64.3	12	5229	133
PB97	1410011816032	58.25	11.625	11.625		89	4.6	1	WBD BOX	13100902	GM, SURFACE ATTACK BGM-71A3 EXT RANGE TOW	WP1A	35.25	58.25	51.25	1136	60.9	12	5229	133
PB98	1410011806790	58.25	11.625	11.625		89	4.6	1	WBD BOX	13100900	GM, SURFACE ATTACK BGM-71C1 ITOW	WP1	48	58.25	39.75	1151	64.3	12	5229	133
PB98	1410011806790	58.25	11.625	11.625		89	4.6	1	WBD BOX	13100900	GM, SURFACE ATTACK BGM-71C1 ITOW	WP1A	35.25	58.25	51.25	1136	60.9	12	5229	133
PB99	1410011806791	58.25	11.625	11.625		89	4.6	1	WBD BOX	13100904	GM, PRACTICE BGM-71A3 EXTENDED RANGE TOW	WP1	48	58.25	39.75	1151	64.3	12	5229	133
PB99	1410011806791	58.25	11.625	11.625		89	4.6	1	WBD BOX	13100904	GM, PRACTICE BGM-71A3 EXTENDED RANGE TOW	WP1A	35.25	58.25	51.25	1136	60.9	12	5229	133
PC01	1410012530235								MK607	DL26445309	GM, SURFACE ATTACK TACTICAL AGM-84D-1 HARPOON		168	38	32.625	3389	120.5	2	OR-68/103	145
PC01	1410012530236								MK607	DL26445309	GM, SURFACE ATTACK TACTICAL AGM-84D-1 HARPOON		168	38	32.625	3389	120.5	2	OR-68/103	145
PC01	1410012530241								MK607	DL26445309	GM, SURFACE ATTACK TACTICAL AGM-84D-1 HARPOON		168	38	32.625	3389	120.5	2	OR-68/103	145
PC01	1410012530242								MK607	DL26445309	GM, SURFACE ATTACK TACTICAL AGM-84D-1 HARPOON		168	38	32.625	3389	120.5	2	OR-68/103	145
PC02	1410011818547								MK608	DL 2645308	GUIDED MISSILE, TACTICAL ASROC RGM-84D-1 HARPOON		206.75	28.5	31.5	2482	107.4	1	OR-68/44	154
PC02	1410012386270								MK608	DL 2645308	GUIDED MISSILE, TACTICAL ASROC RGM-84D-1 HARPOON		206.75	28.5	31.5	2482	107.4	1	OR-68/44	154
PC02	1410012386271								MK608	DL 2645308	GUIDED MISSILE, TACTICAL ASROC RGM-84D-1 HARPOON		206.75	28.5	31.5	2482	107.4	1	OR-68/44	154
PC02	1410012386272								MK608	DL 2645308	GUIDED MISSILE, TACTICAL ASROC RGM-84D-1 HARPOON		206.75	28.5	31.5	2482	107.4	1	OR-68/44	154
PC03	1410011818548								MK632		GUIDED MISSILE, SURFACE ATTACK TARTAR RGM-84D-2 HARPOON		193.5	28	28.5	2210	89.4	1	OR-4/239	151
PC03	1410012386283								MK632		GUIDED MISSILE, SURFACE ATTACK TARTAR RGM-84D-2 HARPOON		193.5	28	28.5	2210	89.4	1	OR-4/239	151
PC03	1410012386284								MK632		GUIDED MISSILE, SURFACE ATTACK TARTAR RGM-84D-2 HARPOON		193.5	28	28.5	2210	89.4	1	OR-4/239	151
PC03	1410012386285								MK632		GUIDED MISSILE, SURFACE ATTACK TARTAR RGM-84D-2 HARPOON		193.5	28	28.5	2210	89.4	1	OR-4/239	151
PC04	1410011818549								MK630	DL5165987	GUIDED MISSILE, TACTICAL ENCAPSULATED UGM-84D-1 HARPOON		271.875	44	39.25	3667	271.7	1	OR-68/54	152
PC04	1410012571372								MK630	DL5165987	GUIDED MISSILE, TACTICAL ENCAPSULATED UGM-84D-1 HARPOON		271.875	44	39.25	3667	271.7	1	OR-68/54	152
PC04	1410012571373								MK630	DL5165987	GUIDED MISSILE, TACTICAL ENCAPSULATED UGM-84D-1 HARPOON		271.875	44	39.25	3667	271.7	1	OR-68/54	152
PC04	1410012571374								MK630	DL5165987	GUIDED MISSILE, TACTICAL ENCAPSULATED UGM-84D-1 HARPOON		271.875	44	39.25	3667	271.7	1	OR-68/54	152
PC06	1410011978996								CNU-434	1596A5206	GM, SIDEARM 1 AGM-122/A		134	36.25	19.75	1387	52	4		195
PC07	1410011739990								M611		GUIDED MISSILE, INTERCEPT AERIAL MIM-23E HAWK		216	29.875	41.25	3351	149.5	1	13038230	999
PC08	1410002343266								M611		GUIDED MISSILE, INTERCEPT AERIAL, MIM-23B-5, IMP HAWK		216	29.875	41.25	3351	149.5	1	10288855	999
PC10	1410011926037								CNU-449		GM, SURFACE ATTACK AGM-45A-3B SHRIKE		145.5	42.125	18.375	2200	65.2	4	879599	112
PC12	1410011900629								CNU-449		GM, SURFACE ATTACK AGM-45A-4 SHRIKE		145.5	42.125	18.375	2200	65.2	4	879599	112
PC13	1410011900630								CNU-449		GM, SURFACE ATTACK AGM-45A-6 SHRIKE		145.5	42.125	18.375	2200	65.2	4	879599	112
PC15	1410011900632								CNU-449		GM, TACTICAL AGM-45B-3 SHRIKE		145.5	42.125	18.375	2200	65.2	4	879599	112
PC17	1410011900635								CNU-449		GM, SURFACE ATTACK AGM-45B-6 SHRIKE		145.5	42.125	18.375	2200	65.2	4	879599	112
PC19	1410011502863	125	17.875	19		315	24.7	1	M570	11508877-7	GM, INTERCEPT AERIAL MIM-72F CHAPARRAL	SKID	36	128.25	44.625	1542	119.2	4	5235	134
PC20	1410004211632	125	17.875	19		280	24.7	1	M570	11508877-2	GM, INTERCEPT AERIAL MIM-72B CHAPARRAL	SKID	36	128.25	44.625	1402	119.2	4	5235	134
PC21	1410005556185	125	17.875	19		315	24.7	1	M570	11508877-3	GM, INTERCEPT AERIAL MIM-72C CHAPARRAL	SKID	36	128.25	44.625	1542	119.2	4	5235	134
PC22	1410010953248	125	17.875	19		315	24.7	1	M570	11508877-6	GM, INTERCEPT AERIAL MIM-72E CHAPARRAL	SKID	36	128.25	44.625	1542	119.2	4	5235	134
PC23	1410012057186	125	17.875	19		315	24.7	1	M570		GM, INTERCEPT AERIAL MIM-72G CHAPARRAL	SKID	36	128.25	44.625	1542	119.2	4	5235	134
PC24	1410012163775	125	17.875	19		280	24.7	1	M570		GM, INTERCEPT AERIAL MIM-72H CHAPARRAL	SKID	36	128.25	44.625	1402	119.2	4	5235	134
PC27	1410012834765								MK724-0	OR-68/148	GUIDED MISSILE, AIR TACTICAL AGM-84E-1 SLAM		186	37.625	30.25	3800	122.5	2	OR-68/148	183
PC28	1410012869689								CANISTER		GM, INTERCEPT AERIAL MIM-104C PATRIOT		234	42.375	38.75	3750	222.4	1		165
PC29	1410012057066								CANISTER		GM, INTERCEPT AERIAL MIM-104A PATRIOT		234	42.375	38.75	3750	222.4	1	11463080	165
PC30	1410012223942								CNU-242		GM, TACTICAL PHOENIX AIM-54C		168	38	30	3115	110.8	2		194
PC31	1410012223943								CNU-242		GM, TACTICAL PHOENIX AIM-54C		168	38	30	3115	110.8	2		194
PC32	1410012223944								CNU-242		GM, TACTICAL PHOENIX AIM-54C		168	38	30	3115	110.8	2		194
PC33	1410012223945								CNU-242		GM, TACTICAL PHOENIX AIM-54C		168	38	30	3115	110.8	2		194
PC34	1410012223964								CNU-242		GM, TACTICAL PHOENIX AIM-54C		168	38	30	3115	110.8	2		194
PC35	1410012223947								CNU-242		GM, TACTICAL PHOENIX AIM-54C		168	38	30	3115	110.8	2		194
PC36	1410012223948								CNU-242		GM, TACTICAL PHOENIX AIM-54C		168	38	30	3115	110.8	2		194
PC3																				

DODIC	NSN	PACK LEN	PACK WID	PACK HGT	PACK DIA	PACK WGT	PACK CUBE	RDS/ PACK	PACKAGE TYPE	PACKAGE DRAWING #	NOMENCLATURE	BASE TYPE	UNIT LOAD LEN	UNIT LOAD WID	UNIT LOAD HGT	UNIT LOAD WGT	UNIT LOAD CUBE	PKG/ UNIT LOAD	UNIT LOAD DRAWING	SECT. 2 INDEX #
PC41	1410012223953								CNU-242		GM, TACTICAL PHOENIX AIM-54C		168	38	30	3115	110.8	2		194
PC42	1410012223954								CNU-242		GM, TACTICAL PHOENIX AIM-54C		168	38	30	3115	110.8	2		194
PC43	1410012247449								CNU-242		GM, TACTICAL PHOENIX AIM-54C		168	38	30	3115	110.8	2		194
PC44	1410012223955								CNU-242		GM, TACTICAL PHOENIX AIM-54C		168	38	30	3115	110.8	2		194
PC45	1410012223956								CNU-242		GM, TACTICAL PHOENIX AIM-54C		168	38	30	3115	110.8	2		194
PC46	1410012223957								CNU-242		GM, TACTICAL PHOENIX AIM-54C		168	38	30	3115	110.8	2		194
PC48	1410013013317								CNU-431		GM, INTERCEPT AERIAL AIM-120A AMRAAM		174	38.125	18.9375	1973	72.7	4	8644140	142
PC49	1410012676685								CANISTER		GM, INTERCEPT AERIAL MIM-104B PATRIOT		234	42.375	38.75	3750	222.4	1	11461859	165
PC50	1410011812268								MK607	DL26445309	GM, SURFACE ATTACK EXERCISE ATM-84D-1 HARPOON		168	38	32.625	3389	120.5	2	OR-68/103	145
PC50	1410012530257								MK607	DL26445309	GM, SURFACE ATTACK EXERCISE ATM-84D-1 HARPOON		168	38	32.625	3389	120.5	2	OR-68/103	145
PC50	1410012530262								MK607	DL26445309	GM, SURFACE ATTACK EXERCISE ATM-84D-1 HARPOON		168	38	32.625	3389	120.5	2	OR-68/103	145
PC50	1410012530263								MK607	DL26445309	GM, SURFACE ATTACK EXERCISE ATM-84D-1 HARPOON		168	38	32.625	3389	120.5	2	OR-68/103	145
PC52	1410011818550								MK608	DL 2645308	GUIDED MISSILE, EXERCISE ASROC RTM-84D-1 HARPOON		206.75	28.5	31.5	2482	107.4	1	OR-68/44	154
PC52	1410012419612								MK608	DL 2645308	GUIDED MISSILE, EXERCISE ASROC RTM-84D-1 HARPOON		206.75	28.5	31.5	2482	107.4	1	OR-68/44	154
PC52	1410012419613								MK608	DL 2645308	GUIDED MISSILE, EXERCISE ASROC RTM-84D-1 HARPOON		206.75	28.5	31.5	2482	107.4	1	OR-68/44	154
PC52	1410012419614								MK608	DL 2645308	GUIDED MISSILE, EXERCISE ASROC RTM-84D-1 HARPOON		206.75	28.5	31.5	2482	107.4	1	OR-68/44	154
PC54	1410011818552								MK632		GUIDED MISSILE, PRACTICE TARTAR RTM-84D-2 HARPOON		193.5	28	28.5	2210	89.4	1	OR-4/239	151
PC54	1410012415849								MK632		GUIDED MISSILE, PRACTICE TARTAR RTM-84D-2 HARPOON		193.5	28	28.5	2210	89.4	1	OR-4/239	151
PC54	1410012415850								MK632		GUIDED MISSILE, PRACTICE TARTAR RTM-84D-2 HARPOON		193.5	28	28.5	2210	89.4	1	OR-4/239	151
PC54	1410012415851								MK632		GUIDED MISSILE, PRACTICE TARTAR RTM-84D-2 HARPOON		193.5	28	28.5	2210	89.4	1	OR-4/239	151
PC56	1410011818556								MK630	DL5165987	GUIDED MISSILE, EXERCISE ENCAPSULATED UTM-84D-1 HARPOON		271.875	44	39.25	3477	271.7	1	OR-68/54	152
PC56	1410012571378								MK630	DL5165987	GUIDED MISSILE, EXERCISE ENCAPSULATED UTM-84D-1 HARPOON		271.875	44	39.25	3477	271.7	1	OR-68/54	152
PC56	1410012571385								MK630	DL5165987	GUIDED MISSILE, EXERCISE ENCAPSULATED UTM-84D-1 HARPOON		271.875	44	39.25	3477	271.7	1	OR-68/54	152
PC56	1410012571386								MK630	DL5165987	GUIDED MISSILE, EXERCISE ENCAPSULATED UTM-84D-1 HARPOON		271.875	44	39.25	3477	271.7	1	OR-68/54	152
PC67	1410012304014								CNU-242		GM, TACTICAL PHOENIX AIM-54C		168	38	30	2970	110.8	2		194
PC68	1410012304015								CNU-242		GM, TACTICAL PHOENIX AIM-54C		168	38	30	2970	110.8	2		194
PC69	1410012304016								CNU-242		GM, TACTICAL PHOENIX AIM-54C		168	38	30	2970	110.8	2		194
PC70	1410012304017								CNU-242		GM, TACTICAL PHOENIX AIM-54C		168	38	30	2970	110.8	2		194
PC71	1410012304018								CNU-242		GM, TACTICAL PHOENIX AIM-54C		168	38	30	2970	110.8	2		194
PC72	1410012304019								CNU-242		GM, TACTICAL PHOENIX AIM-54C		168	38	30	2970	110.8	2		194
PC73	1410012304020								CNU-242		GM, TACTICAL PHOENIX AIM-54C		168	38	30	2970	110.8	2		194
PC74	1410012304021								CNU-242		GM, TACTICAL PHOENIX AIM-54C		168	38	30	2970	110.8	2		194
PC75	1410012304022								CNU-242		GM, TACTICAL PHOENIX AIM-54C		168	38	30	2970	110.8	2		194
PC76	1410012304023								CNU-242		GM, TACTICAL PHOENIX AIM-54C		168	38	30	2970	110.8	2		194
PC77	1410012304024								CNU-242		GM, TACTICAL PHOENIX AIM-54C		168	38	30	2970	110.8	2		194
PC78	1410012304025								CNU-242		GM, TACTICAL PHOENIX AIM-54C		168	38	30	2970	110.8	2		194
PC79	1410012309086								CNU-242		GM, TACTICAL PHOENIX AIM-54C		168	38	30	2970	110.8	2		194
PC80	1410012304026								CNU-242		GM, TACTICAL PHOENIX AIM-54C		168	38	30	2970	110.8	2		194
PC81	1410012304027								CNU-242		GM, TACTICAL PHOENIX AIM-54C SEALED		168	38	30	2970	110.8	2		194
PC82	1410012304028								CNU-242		GM, TACTICAL PHOENIX AIM-54C SEALED		168	38	30	2970	110.8	2		194
PC83	1410012304029								CNU-242		GM, TACTICAL PHOENIX AIM-54C SEALED		168	38	30	2970	110.8	2		194
PC88	1410012381319								MK694		GUIDED MISSILE, TACTICAL THICKWALL RGM-84A-5 HARPOON		217	41	42.5	6001	218.8	1	OR-4/339	153
PC88	1410012381320								MK694		GUIDED MISSILE, TACTICAL THICKWALL RGM-84A-5 HARPOON		217	41	42.5	6001	218.8	1	OR-4/339	153
PC89	1410012381325								MK694		GUIDED MISSILE, TACTICAL THICKWALL RGM-84C-5 HARPOON		217	41	42.5	6001	218.8	1	OR-4/339	153
PC89	1410012381326								MK694		GUIDED MISSILE, TACTICAL THICKWALL RGM-84C-5 HARPOON		217	41	42.5	6001	218.8	1	OR-4/339	153
PC90	1410012381327								MK694		GUIDED MISSILE, TACTICAL THICKWALL RGM-84D-5 HARPOON		217	41	42.5	6001	218.8	1	OR-4/339	153
PC90	1410012381328								MK694		GUIDED MISSILE, TACTICAL THICKWALL RGM-84D-5 HARPOON		217	41	42.5	6001	218.8	1	OR-4/339	153
PC90	1410012381331								MK694		GUIDED MISSILE, TACTICAL THICKWALL RGM-84D-5 HARPOON		217	41	42.5	6001	218.8	1	OR-4/339	153
PC90	1410012381332								MK694		GUIDED MISSILE, TACTICAL THICKWALL RGM-84D-5 HARPOON		217	41	42.5	6001	218.8	1	OR-4/339	153
PC91	1410012279468	76	14.875	16		189	10.5	1	METAL	13155079	GM, SURFACE ATTACK AGM-114B HELLFIRE	WP	43.875	76	36	1234	69.5	6	6214039	137
PC93	1410012424880								CNU-355		GM, SURFACE ATTACK AGM-88A HARM		180	35	22.625	2600	82.5	2	808183-10	110
PC96	1410012300168								CNU-449		GM, SURFACE ATTACK AGM-45A-2 SHRIKE		145.5	42.125	18.375	2200	65.2	4	879599	112
PC97	1410012305083								CNU-449		GM, SURFACE ATTACK AGM-45A-3 SHRIKE		145.5	42.125	18.375	2200	65.2	4	879599	112
PC98	1410012300169								CNU-449		GM, SURFACE ATTACK AGM-45A-9 SHRIKE		145.5	42.125	18.375	2200	65.2	4	879599	112
PC99	1410012300170								CNU-449		GM, SURFACE ATTACK AGM-45A-9A SHRIKE		145.5	42.125	18.375	2200	65.2	4	879599	112
PC99	1410012300170								CNU-167		GM, SURFACE ATTACK SHRIKE AGM-45A-9A		140.25	36	25	1885	73.1	3	2603480	149
PD01	1410012419607								MK694		GUIDED MISSILE, EXERCISE THICKWALL RTM-84A-5 HARPOON		217	41	42.5	5800	218.8	1	OR-4/339	153
PD01	1410012453943								MK694		GUIDED MISSILE, EXERCISE THICKWALL RTM-84A-5 HARPOON		217	41	42.5	5800	218.8	1	OR-4/339	153
PD03	1410012419606								MK694		GUIDED MISSILE, EXERCISE THICKWALL RTM-84C-1 HARPOON		217	41	42.5	5800	218.8	1	OR-4/339	153
PD03	1410012428858								MK694		GUIDED MISSILE, EXERCISE THICKWALL RTM-84C-5 HARPOON		217	41	42.5	5800	218.8	1	OR-4/339	153
PD05	1410012419615								MK694		GUIDED MISSILE, EXERCISE THICKWALL RTM-84D-5 HARPOON		217	41	42.5	5800	218.8	1	OR-4/339	153
PD05	1410012419616								MK694		GUIDED MISSILE, EXERCISE THICKWALL RTM-84D-5 HARPOON		217	41	42.5	5800	218.8	1	OR-4/339	153
PD05	1410012419617								MK694		GUIDED MISSILE, EXERCISE THICKWALL RTM-84D-5 HARPOON		217	41	42.5	5800	218.8	1	OR-4/339	153
PD25	1410012374695	65.5625	13	13.375		86	6.8	1	ALUM		GM, PRACTICE STINGER	WP1	42	67.0625	45.625	952	73.8	9	5239	131
PD39	1410012530247								MK607	DL26445309	GM, SURFACE ATTACK EXERCISE ATM-84A-1 HARPOON		168	38	32.625	3389	120.5	2	OR-68/103	145
PD39	1410012530249								MK607	DL26445309	GM, SURFACE ATTACK EXERCISE ATM-84A-1 HARPOON		168	38	32.625	3389	120.5	2	OR-68/103	145
PD40	1410012530248								MK607	DL26445309	GM, SURFACE ATTACK EXERCISE ATM-84A-1 HARPOON		168	38	32.625	3389	120.5	2	OR-68/103	145
PD40	1410012530250								MK607	DL26445309	GM, SURFACE ATTACK EXERCISE ATM-84A-1 HARPOON		168	38	32.625	3389	120.5	2	OR-68/103	145
PD41	1410012530253								MK607	DL26445309	GM, SURFACE ATTACK EXERCISE ATM-84C-1 HARPOON		168	38	32.625	3389	120.5	2	OR-68/103	145

DODIC	NSN	PACK LEN	PACK WID	PACK HGT	PACK DIA	PACK WGT	PACK CUBE	RDS/ PACK	PACKAGE TYPE	PACKAGE DRAWING #	NOMENCLATURE	BASE TYPE	UNIT LOAD LEN	UNIT LOAD WID	UNIT LOAD HGT	UNIT LOAD WGT	UNIT LOAD CUBE	PKG/ UNIT LOAD	UNIT LOAD DRAWING	SECT. 2 INDEX #
PD41	1410012530254								MK607	DL26445309	GM, SURFACE ATTACK EXERCISE ATM-84C-1 HARPOON		168	38	32.625	3389	120.5	2	OR-68/103	145
PD42	1410012530255								MK607	DL26445309	GM, SURFACE ATTACK EXERCISE ATM-84C-1 HARPOON		168	38	32.625	3389	120.5	2	OR-68/103	145
PD42	1410012530256								MK607	DL26445309	GM, SURFACE ATTACK EXERCISE ATM-84C-1 HARPOON		168	38	32.625	3389	120.5	2	OR-68/103	145
PD43	1410012530258								MK607	DL26445309	GM, SURFACE ATTACK EXERCISE ATM-84D-1 HARPOON		168	38	32.625	3389	120.5	2	OR-68/103	145
PD43	1410012530259								MK607	DL26445309	GM, SURFACE ATTACK EXERCISE ATM-84D-1 HARPOON		168	38	32.625	3389	120.5	2	OR-68/103	145
PD44	1410012530260								MK607	DL26445309	GM, SURFACE ATTACK EXERCISE ATM-84D-1 HARPOON		168	38	32.625	3389	120.5	2	OR-68/103	145
PD44	1410012530261								MK607	DL26445309	GM, SURFACE ATTACK EXERCISE ATM-84D-1 HARPOON		168	38	32.625	3389	120.5	2	OR-68/103	145
PD45	1410012419605								MK608	DL 2645308	GUIDED MISSILE, EXERCISE ASROC RTM-84A-1 HARPOON		206.75	28.5	31.5	2482	107.4	1	OR-68/44	154
PD45	1410012433894								MK608	DL 2645308	GUIDED MISSILE, EXERCISE ASROC RTM-84A-1 HARPOON		206.75	28.5	31.5	2482	107.4	1	OR-68/44	154
PD46	1410012419611								MK608	DL 2645308	GUIDED MISSILE, EXERCISE ASROC RTM-84C-1 HARPOON		206.75	28.5	31.5	2482	107.4	1	OR-68/44	154
PD46	1410012428855								MK608	DL 2645308	GUIDED MISSILE, EXERCISE ASROC RTM-84C-1 HARPOON		206.75	28.5	31.5	2482	107.4	1	OR-68/44	154
PD47	1410012428856								MK608	DL 2645308	GUIDED MISSILE, EXERCISE ASROC RTM-84D-1 HARPOON		206.75	28.5	31.5	2482	107.4	1	OR-68/44	154
PD47	1410012428857								MK608	DL 2645308	GUIDED MISSILE, EXERCISE ASROC RTM-84D-1 HARPOON		206.75	28.5	31.5	2482	107.4	1	OR-68/44	154
PD50	1410012556342								MK607	DL26445309	GM, SURFACE ATTACK EXERCISE ATM-84D-1 HARPOON		168	38	32.625	3389	120.5	2	OR-68/103	145
PD50	1410012574968								MK607	DL26445309	GM, SURFACE ATTACK EXERCISE ATM-84D-1 HARPOON		168	38	32.625	3389	120.5	2	OR-68/103	145
PD51	1410012415847								MK632		GUIDED MISSILE, PRACTICE TARTAR RTM-84C-2 HARPOON		193.5	28	28.5	2210	89.4	1	OR-4/239	151
PD51	1410012415848								MK632		GUIDED MISSILE, PRACTICE TARTAR RTM-84C-2 HARPOON		193.5	28	28.5	2210	89.4	1	OR-4/239	151
PD52	1410012415852								MK632		GUIDED MISSILE, PRACTICE TARTAR RTM-84D-2 HARPOON		193.5	28	28.5	2210	89.4	1	OR-4/239	151
PD52	1410012415853								MK632		GUIDED MISSILE, PRACTICE TARTAR RTM-84D-2 HARPOON		193.5	28	28.5	2210	89.4	1	OR-4/239	151
PD53	1410012415845								MK632		GUIDED MISSILE, PRACTICE TARTAR RTM-84A-2 HARPOON		193.5	28	28.5	2210	89.4	1	OR-4/239	151
PD53	1410012415846								MK632		GUIDED MISSILE, PRACTICE TARTAR RTM-84A-2 HARPOON		193.5	28	28.5	2210	89.4	1	OR-4/239	151
PD54	1410012438846								MK694		GUIDED MISSILE, EXERCISE THICKWALL RTM-84C-5 HARPOON		217	41	42.5	5800	218.8	1	OR-4/339	153
PD54	1410012453944								MK694		GUIDED MISSILE, EXERCISE THICKWALL RTM-84D-5 HARPOON		217	41	42.5	5800	218.8	1	OR-4/339	153
PD56	1410012300175								CNU-449		GM, SURFACE ATTACK AGM-45B-2 SHRIKE		145.5	42.125	18.375	2200	65.2	4	879599	112
PD57	1410012305084								CNU-449		GM, SURFACE ATTACK AGM-45B-3B SHRIKE		145.5	42.125	18.375	2200	65.2	4	879599	112
PD58	1410012300172								CNU-449		GM, SURFACE ATTACK AGM-45B-9 SHRIKE		145.5	42.125	18.375	2200	65.2	4	879599	112
PD59	1410012300173								CNU-449		GM, SURFACE ATTACK AGM-45B-9A SHRIKE		145.5	42.125	18.375	2200	65.2	4	879599	112
PD61	1410012445628								CNU-445		GM, SURFACE ATTACK AGM-65G MAVERICK		108.875	28.1875	29.5	1120	52.4	1	879475	126
PD62	1410012299948	58.25	11.625	11.625		97	4.6	1	WBD BOX	13218444	GM, SURFACE ATTACK BGM-71E TOW-2A	WP1	48	58.25	39.75	1247	64.3	12	5229	133
PD62	1410012299948	58.25	11.625	11.625		97	4.6	1	WBD BOX	13218444	GM, SURFACE ATTACK BGM-71E TOW-2A	WP1A	35.25	58.25	51.25	1232	60.9	12	5229	133
PD63	1410012538073								CNU-447		GM, SURFACE ATTACK AGM-65F MAVERICK		108.875	28.1875	29.5	1019	52.4	1	879475	126
PD64	1410012470635								CNU-355		GM, SURFACE ATTACK AGM-88B HARM		180	35	22.625	2600	82.5	2	808183-10	110
PD65	1410012470636								CNU-355		GM, SURFACE ATTACK AGM-88B HARM		180	35	22.625	2600	82.5	2	808183-10	110
PD66	1410012470637								CNU-355		GM, SURFACE ATTACK AGM-88B HARM		180	35	22.625	2600	82.5	2	808183-10	110
PD67	1410012470638								CNU-355		GM, SURFACE ATTACK AGM-88B HARM		180	35	22.625	2600	82.5	2	808183-10	110
PD68	1410011920293	76	14.875	16		185	10.5	1	METAL	13155079	GM, SURFACE ATTACK AGM-114C MIN SMK HELLFIRE	WP	44.375	76	53	1749	103.4	9	5250	137
PD75	1410012530226								MK607	DL26445309	GM, SURFACE ATTACK TACTICAL AGM-84A-1 HARPOON		168	38	32.625	3389	120.5	2	OR-68/103	145
PD75	1410012530228								MK607	DL26445309	GM, SURFACE ATTACK TACTICAL AGM-84A-1 HARPOON		168	38	32.625	3389	120.5	2	OR-68/103	145
PD76	1410012530227								MK607	DL26445309	GM, SURFACE ATTACK TACTICAL AGM-84A-1 HARPOON		168	38	32.625	3389	120.5	2	OR-68/103	145
PD76	1410012530229								MK607	DL26445309	GM, SURFACE ATTACK TACTICAL AGM-84A-1 HARPOON		168	38	32.625	3389	120.5	2	OR-68/103	145
PD77	1410012565400								MK607	DL26445309	GM, SURFACE ATTACK TACTICAL AGM-84C-1 HARPOON		168	38	32.625	3389	120.5	2	OR-68/103	145
PD77	1410012565401								MK607	DL26445309	GM, SURFACE ATTACK TACTICAL AGM-84C-1 HARPOON		168	38	32.625	3389	120.5	2	OR-68/103	145
PD78	1410012530233								MK607	DL26445309	GM, SURFACE ATTACK TACTICAL AGM-84C-1 HARPOON		168	38	32.625	3389	120.5	2	OR-68/103	145
PD78	1410012530234								MK607	DL26445309	GM, SURFACE ATTACK TACTICAL AGM-84C-1 HARPOON		168	38	32.625	3389	120.5	2	OR-68/103	145
PD79	1410012530239								MK607	DL26445309	GM, SURFACE ATTACK TACTICAL AGM-84D-1 HARPOON		168	38	32.625	3389	120.5	2	OR-68/103	145
PD79	1410012530240								MK607	DL26445309	GM, SURFACE ATTACK TACTICAL AGM-84D-1 HARPOON		168	38	32.625	3389	120.5	2	OR-68/103	145
PD80	1410012530237								MK607	DL26445309	GM, SURFACE ATTACK TACTICAL AGM-84D-1 HARPOON		168	38	32.625	3389	120.5	2	OR-68/103	145
PD80	1410012530238								MK607	DL26445309	GM, SURFACE ATTACK TACTICAL AGM-84D-1 HARPOON		168	38	32.625	3389	120.5	2	OR-68/103	145
PD81	1410012386265								MK608	DL 2645308	GUIDED MISSILE, TACTICAL ASROC RGM-84A-1 HARPOON		206.75	28.5	31.5	2482	107.4	1	OR-68/44	154
PD81	1410012386266								MK608	DL 2645308	GUIDED MISSILE, TACTICAL ASROC RGM-84A-1 HARPOON		206.75	28.5	31.5	2482	107.4	1	OR-68/44	154
PD82	1410012386267								MK608	DL 2645308	GUIDED MISSILE, TACTICAL ASROC RGM-84C-1 HARPOON		206.75	28.5	31.5	2482	107.4	1	OR-68/44	154
PD82	1410012386268								MK608	DL 2645308	GUIDED MISSILE, TACTICAL ASROC RGM-84C-1 HARPOON		206.75	28.5	31.5	2482	107.4	1	OR-68/44	154
PD83	1410012386273								MK608	DL 2645308	GUIDED MISSILE, TACTICAL ASROC RGM-84D-1 HARPOON		206.75	28.5	31.5	2482	107.4	1	OR-68/44	154
PD83	1410012386274								MK608	DL 2645308	GUIDED MISSILE, TACTICAL ASROC RGM-84D-1 HARPOON		206.75	28.5	31.5	2482	107.4	1	OR-68/44	154
PD84	1410012556341								MK607	DL26445309	GM, SURFACE ATTACK TACTICAL AGM-84D-1 HARPOON		168	38	32.625	3389	120.5	2	OR-68/103	145
PD84	1410012580443								MK607	DL26445309	GM, SURFACE ATTACK TACTICAL AGM-84D-1 HARPOON		168	38	32.625	3605	120.5	2	OR-68/103	145
PD85	1410012386278								MK632		GUIDED MISSILE, SURFACE ATTACK TARTAR RGM-84C-2 HARPOON		193.5	28	28.5	2210	89.4	1	OR-4/239	151
PD85	1410012386279								MK632		GUIDED MISSILE, SURFACE ATTACK TARTAR RGM-84C-2 HARPOON		193.5	28	28.5	2210	89.4	1	OR-4/239	151
PD86	1410012386281								MK632		GUIDED MISSILE, SURFACE ATTACK TARTAR RGM-84D-2 HARPOON		193.5	28	28.5	2210	89.4	1	OR-4/239	151
PD86	1410012386282								MK632		GUIDED MISSILE, SURFACE ATTACK TARTAR RGM-84D-2 HARPOON		193.5	28	28.5	2210	89.4	1	OR-4/239	151
PD87	1410012386276								MK632		GUIDED MISSILE, SURFACE ATTACK TARTAR RGM-84A-2 HARPOON		193.5	28	28.5	2210	89.4	1	OR-4/239	151
PD87	1410012386277								MK632		GUIDED MISSILE, SURFACE ATTACK TARTAR RGM-84A-2 HARPOON		193.5	28	28.5	2210	89.4	1	OR-4/239	151
PD88	1410012381323								MK694		GUIDED MISSILE, TACTICAL THICKWALL RGM-84C-5 HARPOON		217	41	42.5	6001	218.8	1	OR-4/339	153
PD88	1410012381324								MK694		GUIDED MISSILE, TACTICAL THICKWALL RGM-84C-5 HARPOON		217	41	42.5	6001	218.8	1	OR-4/339	153
PD89	1410012381329								MK694		GUIDED MISSILE, TACTICAL THICKWALL RGM-84D-5 HARPOON		217	41	42.5	6001	218.8	1	OR-4/339	153
PD89	1410012381330								MK694		GUIDED MISSILE, TACTICAL THICKWALL RGM-84D-5 HARPOON		217	41	42.5	6001	218.8	1	OR-4/339	153
PD90	1410012381321								MK694		GUIDED MISSILE, TACTICAL THICKWALL RGM-84A-5 HARPOON		217	41	42.5	6001	218.8	1	OR-4/339	153
PD90	1410012381322								MK694		GUIDED MISSILE, TACTICAL THICKWALL RGM-84A-5 HARPOON		217	41	4					

DODIC	NSN	PACK LEN	PACK WID	PACK HGT	PACK DIA	PACK WGT	PACK CUBE	RDS/ PACK	PACKAGE TYPE	PACKAGE DRAWING #	NOMENCLATURE	BASE TYPE	UNIT LOAD LEN	UNIT LOAD WID	UNIT LOAD HGT	UNIT LOAD WGT	UNIT LOAD CUBE	PKG/ UNIT LOAD	UNIT LOAD DRAWING	SECT. 2 INDEX #
PD91	1410012571368								MK630	DL5165987	GUIDED MISSILE, TACTICAL ENCAPSULATED UGM-84C-1 HARPOON		271.875	44	39.25	3667	271.7	1	OR-68/54	152
PD92	1410012571370								MK630	DL5165987	GUIDED MISSILE, TACTICAL ENCAPSULATED UGM-84D-1 HARPOON		271.875	44	39.25	3667	271.7	1	OR-68/54	152
PD93	1410012571371								MK630	DL5165987	GUIDED MISSILE, TACTICAL ENCAPSULATED UGM-84D-1 HARPOON		271.875	44	39.25	3667	271.7	1	OR-68/54	152
PD93	1410012571375								MK630	DL5165987	GUIDED MISSILE, TACTICAL ENCAPSULATED UGM-84A-1 HARPOON		271.875	44	39.25	3667	271.7	1	OR-68/54	152
PD93	1410012571376								MK630	DL5165987	GUIDED MISSILE, TACTICAL ENCAPSULATED UGM-84A-1 HARPOON		271.875	44	39.25	3667	271.7	1	OR-68/54	152
PD94	1410012584856								MK607	DL26445309	GM, SURFACE ATTACK TACTICAL AGM-84D-1 HARPOON		168	38	32.625	3389	120.5	2	OR-68/103	145
PD94	1410012584857								MK607	DL26445309	GM, SURFACE ATTACK TACTICAL AGM-84D-1 HARPOON		168	38	32.625	3389	120.5	2	OR-68/103	145
PD94	1410012584860								MK607	DL26445309	GM, SURFACE ATTACK TACTICAL AGM-84D-1 HARPOON		168	38	32.625	3389	120.5	2	OR-68/103	145
PD94	1410012590684								MK607	DL26445309	GM, SURFACE ATTACK TACTICAL AGM-84D-1 HARPOON		168	38	32.625	3389	120.5	2	OR-68/103	145
PD95	1410012584858								MK607	DL26445309	GM, SURFACE ATTACK TACTICAL AGM-84D-1 HARPOON		168	38	32.625	3389	120.5	2	OR-68/103	145
PD95	1410012584859								MK607	DL26445309	GM, SURFACE ATTACK TACTICAL AGM-84D-1 HARPOON		168	38	32.625	3389	120.5	2	OR-68/103	145
PD95	1410012584861								MK607	DL26445309	GM, SURFACE ATTACK TACTICAL AGM-84D-1 HARPOON		168	38	32.625	3389	120.5	2	OR-68/103	145
PD95	1410012584862								MK607	DL26445309	GM, SURFACE ATTACK TACTICAL AGM-84D-1 HARPOON		168	38	32.625	3605	120.5	2	OR-68/103	145
PD96	1410012580444								MK607	DL26445309	GM, SURFACE ATTACK TACTICAL AGM-84A-1 HARPOON		168	38	32.625	3605	120.5	2	OR-68/103	145
PD96	1410012580446								MK607	DL26445309	GM, SURFACE ATTACK TACTICAL AGM-84A-1 HARPOON		168	38	32.625	3605	120.5	2	OR-68/103	145
PD97	1410012580445								MK607	DL26445309	GM, SURFACE ATTACK TACTICAL AGM-84A-1 HARPOON		168	38	32.625	3605	120.5	2	OR-68/103	145
PD97	1410012580447								MK607	DL26445309	GM, SURFACE ATTACK TACTICAL AGM-84A-1 HARPOON		168	38	32.625	3605	120.5	2	OR-68/103	145
PE01	1410012580439								MK607	DL26445309	GM, SURFACE ATTACK TACTICAL AGM-84D-1 HARPOON		168	38	32.625	3605	120.5	2	OR-68/103	145
PE01	1410012580440								MK607	DL26445309	GM, SURFACE ATTACK TACTICAL AGM-84D-1 HARPOON		168	38	32.625	3605	120.5	2	OR-68/103	145
PE02	1410012580441								MK607	DL26445309	GM, SURFACE ATTACK TACTICAL AGM-84D-1 HARPOON		168	38	32.625	3605	120.5	2	OR-68/103	145
PE02	1410012580442								MK607	DL26445309	GM, SURFACE ATTACK TACTICAL AGM-84D-1 HARPOON		168	38	32.625	3389	120.5	2	OR-68/103	145
PE03	1410012576493	58.25	11.625	11.625		89	4.6	1	WBD BOX	13296259	GM, SURFACE ATTACK BGM-71A2A STD RANGE TOW	WP1	48	58.25	39.75	1151	64.3	12	5229	133
PE03	1410012576493	58.25	11.625	11.625		89	4.6	1	WBD BOX	13296259	GM, SURFACE ATTACK BGM-71A2A STD RANGE TOW	WP1A	35.25	58.25	51.25	1136	60.9	12	5229	133
PE04	1410012577584	58.25	11.625	11.625		89	4.6	1	WBD BOX	13296261	GM, SURFACE ATTACK BGM-71A3A EXT RANGE TOW	WP1	48	58.25	39.75	1151	64.3	12	5229	133
PE04	1410012577584	58.25	11.625	11.625		89	4.6	1	WBD BOX	13296261	GM, SURFACE ATTACK BGM-71A3A EXT RANGE TOW	WP1A	35.25	58.25	51.25	1136	60.9	12	5229	133
PE05	1410012577583	58.25	11.625	11.625		87	4.6	1	WBD BOX	13296263	GM, SURFACE ATTACK BGM-71C1A I. TOW	WP1	48	58.25	39.75	1127	64.3	12	5229	133
PE05	1410012577583	58.25	11.625	11.625		87	4.6	1	WBD BOX	13296263	GM, SURFACE ATTACK BGM-71C1A I. TOW	WP1A	35.25	58.25	51.25	1112	60.9	12	5229	133
PE06	1410012638069								MK608	DL 2645308	GUIDED MISSILE, TACTICAL ASROC RGM-84D-1 HARPOON		206.75	28.5	31.5	2482	107.4	1	OR-68/44	154
PE06	1410012638070								MK608	DL 2645308	GUIDED MISSILE, TACTICAL ASROC RGM-84D-1 HARPOON		206.75	28.5	31.5	2482	107.4	1	OR-68/44	154
PE06	1410012638071								MK608	DL 2645308	GUIDED MISSILE, TACTICAL ASROC RGM-84D-1 HARPOON		206.75	28.5	31.5	2482	107.4	1	OR-68/44	154
PE06	1410012638072								MK608	DL 2645308	GUIDED MISSILE, TACTICAL ASROC RGM-84D-1 HARPOON		206.75	28.5	31.5	2482	107.4	1	OR-68/44	154
PE07	1410012625022								MK632		GUIDED MISSILE, SURFACE ATTACK TARTAR RGM-84D-2 HARPOON		193.5	28	28.5	2210	89.4	1	OR-4/239	151
PE07	1410012625023								MK632		GUIDED MISSILE, SURFACE ATTACK TARTAR RGM-84D-2 HARPOON		193.5	28	28.5	2210	89.4	1	OR-4/239	151
PE07	1410012625024								MK632		GUIDED MISSILE, SURFACE ATTACK TARTAR RGM-84D-2 HARPOON		193.5	28	28.5	2210	89.4	1	OR-4/239	151
PE07	1410012625025								MK632		GUIDED MISSILE, SURFACE ATTACK TARTAR RGM-84D-2 HARPOON		193.5	28	28.5	2210	89.4	1	OR-4/239	151
PE10	1410012621321								MK694		GUIDED MISSILE, EXERCISE THICKWALL RTM-84D-5 HARPOON		217	41	42.5	5800	218.8	1	OR-4/339	153
PE10	1410012621322								MK694		GUIDED MISSILE, EXERCISE THICKWALL RTM-84D-5 HARPOON		217	41	42.5	6001	218.8	1	OR-4/339	153
PE10	1410012621323								MK694		GUIDED MISSILE, EXERCISE THICKWALL RTM-84D-5 HARPOON		217	41	42.5	5800	218.8	1	OR-4/339	153
PE10	1410012625026								MK694		GUIDED MISSILE, TACTICAL THICKWALL RGM-84D-5 HARPOON		217	41	42.5	5800	218.8	1	OR-4/339	153
PE11	1410012632917								MK630	DL5165987	GUIDED MISSILE, TACTICAL ENCAPSULATED UGM-84D-1 HARPOON		271.875	44	39.25	3667	271.7	1	OR-68/54	152
PE11	1410012632918								MK630	DL5165987	GUIDED MISSILE, TACTICAL ENCAPSULATED UGM-84D-1 HARPOON		271.875	44	39.25	3667	271.7	1	OR-68/54	152
PE12	1410012632915								MK632		GUIDED MISSILE, SURFACE ATTACK TARTAR RGM-84A2 HARPOON		193.5	28	28.5	2210	89.4	1	OR-4/239	151
PE12	1410012632916								MK632		GUIDED MISSILE, SURFACE ATTACK TARTAR RGM-84A2 HARPOON		193.5	28	28.5	2210	89.4	1	OR-4/239	151
PE13	1410012632913								MK632		GUIDED MISSILE, SURFACE ATTACK TARTAR RGM-84D2 HARPOON		193.5	28	28.5	2210	89.4	1	OR-4/239	151
PE13	1410012632914								MK632		GUIDED MISSILE, SURFACE ATTACK TARTAR RGM-84D2 HARPOON		193.5	28	28.5	2210	89.4	1	OR-4/239	151
PE13	1410012632914								MK632		GUIDED MISSILE, SURFACE ATTACK TARTAR RGM-84D2 HARPOON		193.5	28	28.5	2210	89.4	1	OR-4/239	151
PE14	1410012632911								MK632		GUIDED MISSILE, SURFACE ATTACK TARTAR RGM-84D2 HARPOON		193.5	28	28.5	2210	89.4	1	OR-4/239	151
PE14	1410012632912								MK632		GUIDED MISSILE, SURFACE ATTACK TARTAR RGM-84D2 HARPOON		193.5	28	28.5	2210	89.4	1	OR-4/239	151
PE15	1410012632909								MK632		GUIDED MISSILE, SURFACE ATTACK TARTAR RGM-84D2 HARPOON		193.5	28	28.5	2210	89.4	1	OR-4/239	151
PE15	1410012635910								MK632		GUIDED MISSILE, SURFACE ATTACK TARTAR RGM-84D-2 HARPOON		193.5	28	28.5	2210	89.4	1	OR-4/239	151
PE16	1410012629155								MK608	DL 2645308	GUIDED MISSILE, TACTICAL ASROC RGM-84A-1 HARPOON		206.75	28.5	31.5	2482	107.4	1	OR-68/44	154
PE16	1410012638068								MK608	DL 2645308	GUIDED MISSILE, TACTICAL ASROC RGM-84A-1 HARPOON		206.75	28.5	31.5	2654	107.4	1	OR-68/44	154
PE17	1410012629153								MK608	DL 2645308	GUIDED MISSILE, TACTICAL ASROC RGM-84D-1 HARPOON		206.75	28.5	31.5	2482	107.4	1	OR-68/44	154
PE17	1410012629154								MK608	DL 2645308	GUIDED MISSILE, TACTICAL ASROC RGM-84D-1 HARPOON		206.75	28.5	31.5	2482	107.4	1	OR-68/44	154
PE18	1410012629152								MK608	DL 2645308	GUIDED MISSILE, TACTICAL ASROC RGM-84D-1 HARPOON		206.75	28.5	31.5	2482	107.4	1	OR-68/44	154
PE18	1410012638067								MK608	DL 2645308	GUIDED MISSILE, TACTICAL CAP/CAN BGM-84D-1 HARPOON		206.75	28.5	31.5	2654	107.4	1	OR-68/44	154
PE19	1410012629150								MK608	DL 2645308	GUIDED MISSILE, TACTICAL ASROC RGM-84D-1 HARPOON		206.75	28.5	31.5	2482	107.4	1	OR-68/44	154
PE19	1410012629151								MK608	DL 2645308	GUIDED MISSILE, TACTICAL ASROC RGM-84D-1 HARPOON		206.75	28.5	31.5	2482	107.4	1	OR-68/44	154
PE28	1410012645468								MK694		GUIDED MISSILE, TACTICAL THICKWALL RGM-84A-5 HARPOON		217	41	42.5	5800	218.8	1	OR-4/339	153
PE29	1410012645469								MK694		GUIDED MISSILE, TACTICAL THICKWALL RGM-84A-5 HARPOON		217	41	42.5	5800	218.8	1	OR-4/339	153
PE29	1410012645470								MK694		GUIDED MISSILE, TACTICAL THICKWALL RGM-84D-5 HARPOON		217	41	42.5	5800	218.8	1	OR-4/339	153
PE29	1410012645473								MK694		GUIDED MISSILE, TACTICAL THICKWALL RGM-84D-5 HARPOON		217	41	42.5	5800	218.8	1	OR-4/339	153
PE30	1410012645474								MK694		GUIDED MISSILE, TACTICAL THICKWALL RGM-84D-5 HARPOON		217	41	42.5	5800	218.8	1	OR-4/339	153
PE30	1410012656664								MK694		GUIDED MISSILE, TACTICAL THICKWALL HARPOON RGM-84D-5		217	41	42.5	5800	218.8	1	OR-4/339	153
PE31	1410012645477								MK694		GUIDED MISSILE, TACTICAL THICKWALL RGM-84D-5 HARPOON		217	41	42.5	5800	218.8	1	OR-4/339	153
PE31	1410012645478								MK694		GUIDED MISSILE, TACTICAL THICKWALL RGM-84D-5 HARPOON		217	41	42.5	5800	218.8	1	OR-4/339	153
PE32	1410012645471								MK630	DL5165987	GUIDED MISSILE, TACTICAL ENCAPSULATED UGM-84A-1 HARPOON</									

DODIC	NSN	PACK LEN	PACK WID	PACK HGT	PACK DIA	PACK WGT	PACK CUBE	RDS/ PACK	PACKAGE TYPE	PACKAGE DRAWING #	NOMENCLATURE	BASE TYPE	UNIT LOAD LEN	UNIT LOAD WID	UNIT LOAD HGT	UNIT LOAD WGT	UNIT LOAD CUBE	PKG/ UNIT LOAD	UNIT LOAD DRAWING	SECT. 2 INDEX #
PE34	1410012645481								MK630	DL5165987	GUIDED MISSILE, TACTICAL ENCAPSULATED UGM-84D-1 HARPOON		271.875	44	39.25	3667	271.7	1	OR-68/54	152
PE34	1410012645482								MK630	DL5165987	GUIDED MISSILE, TACTICAL ENCAPSULATED UGM-84D-1 HARPOON		271.875	44	39.25	3667	271.7	1	OR-68/54	152
PE35	1410012645483								MK630	DL5165987	GUIDED MISSILE, TACTICAL ENCAPSULATED UGM-84D-1 HARPOON		271.875	44	39.25	3667	271.7	1	OR-68/54	152
PE35	1410012645484								MK630	DL5165987	GUIDED MISSILE, TACTICAL ENCAPSULATED UGM-84D-1 HARPOON		271.875	44	39.25	3667	271.7	1	OR-68/54	152
PE38	1410012821261								MK607	DL26445309	GM, SURFACE ATTACK TACTICAL AGM-84D-1 HARPOON		168	38	32.625	3389	120.5	2	OR-68/103	145
PE38	1410012821262								MK607	DL26445309	GM, SURFACE ATTACK TACTICAL AGM-84D-1 HARPOON		168	38	32.625	3389	120.5	2	OR-68/103	145
PE39	1410012821259								MK607	DL26445309	GM, SURFACE ATTACK TACTICAL AGM-84D-1 HARPOON		168	38	32.625	3389	120.5	2	OR-68/103	145
PE39	1410012821260								MK607	DL26445309	GM, SURFACE ATTACK TACTICAL AGM-84D-1 HARPOON		168	38	32.625	3389	120.5	2	OR-68/103	145
PE40	1410012821263								MK607	DL26445309	GM, SURFACE ATTACK EXERCISE ATM-84D-1 HARPOON		168	38	32.625	3389	120.5	2	OR-68/103	145
PE40	1410012828344								MK607	DL26445309	GM, SURFACE ATTACK EXERCISE ATM-84D-1 HARPOON		168	38	32.625	3389	120.5	2	OR-68/103	145
PE41	1410012821264								MK607	DL26445309	GM, SURFACE ATTACK EXERCISE ATM-84D-1 HARPOON		168	38	32.625	3389	120.5	2	OR-68/103	145
PE41	1410012821265								MK607	DL26445309	GM, SURFACE ATTACK EXERCISE ATM-84D-1 HARPOON		168	38	32.625	3389	120.5	2	OR-68/103	145
PE48	1410013173205								CNU-355		GM, TRAINING CATM-88B HARM		180	35	22.625	2600	82.5	2	808183-10	110
PE49	1410013180759								CNU-355		GM, TRAINING CATM-88B HARM		180	35	22.625	2600	82.5	2	808183-10	110
PE50	1410012419618								MK694		GUIDED MISSILE, EXERCISE THICKWALL RTM-84D-5 HARPOON		217	41	42.5	5800	218.8	1	OR-4/339	153
PE50	1410012419619								MK694		GUIDED MISSILE, EXERCISE THICKWALL RTM-84D-5 HARPOON		217	41	42.5	5800	218.8	1	OR-4/339	153
PE51	1410012419608								MK694		GUIDED MISSILE, EXERCISE THICKWALL RTM-84A-5 HARPOON		217	41	42.5	5800	218.8	1	OR-4/339	153
PE51	1410012419609								MK694		GUIDED MISSILE, EXERCISE THICKWALL RTM-84A-5 HARPOON		217	41	42.5	5800	218.8	1	OR-4/339	153
PE52	1410012571381								MK630	DL5165987	GUIDED MISSILE, EXERCISE ENCAPSULATED UTM-84C-1 HARPOON		271.875	44	39.25	3667	271.7	1	OR-68/54	152
PE52	1410012571382								MK630	DL5165987	GUIDED MISSILE, EXERCISE ENCAPSULATED UTM-84C-1 HARPOON		271.875	44	39.25	3667	271.7	1	OR-68/54	152
PE53	1410012571383								MK630	DL5165987	GUIDED MISSILE, EXERCISE ENCAPSULATED UTM-84D-1 HARPOON		271.875	44	39.25	3667	271.7	1	OR-68/54	152
PE53	1410012571384								MK630	DL5165987	GUIDED MISSILE, EXERCISE ENCAPSULATED UTM-84D-1 HARPOON		271.875	44	39.25	3667	271.7	1	OR-68/54	152
PE54	1410012571379								MK630	DL5165987	GUIDED MISSILE, EXERCISE ENCAPSULATED UTM-84A-1 HARPOON		271.875	44	39.25	3667	271.7	1	OR-68/54	152
PE54	1410012571380								MK630	DL5165987	GUIDED MISSILE, EXERCISE ENCAPSULATED UTM-84A-1 HARPOON		271.875	44	39.25	3667	271.7	1	OR-68/54	152
PE55	1410012574982								MK607	DL26445309	GM, SURFACE ATTACK EXERCISE ATM-84D-1 HARPOON		168	38	32.625	3389	120.5	2	OR-68/103	145
PE55	1410012574983								MK607	DL26445309	GM, SURFACE ATTACK EXERCISE ATM-84D-1 HARPOON		168	38	32.625	3389	120.5	2	OR-68/103	145
PE55	1410012574984								MK607	DL26445309	GM, SURFACE ATTACK EXERCISE ATM-84D-1 HARPOON		168	38	32.625	3389	120.5	2	OR-68/103	145
PE55	1410012574985								MK607	DL26445309	GM, SURFACE ATTACK EXERCISE ATM-84D-1 HARPOON		168	38	32.625	3389	120.5	2	OR-68/103	145
PE56	1410012574978								MK607	DL26445309	GM, SURFACE ATTACK EXERCISE ATM-84D-1 HARPOON		168	38	32.625	3389	120.5	2	OR-68/103	145
PE56	1410012574979								MK607	DL26445309	GM, SURFACE ATTACK EXERCISE ATM-84D-1 HARPOON		168	38	32.625	3389	120.5	2	OR-68/103	145
PE56	1410012574980								MK607	DL26445309	GM, SURFACE ATTACK EXERCISE ATM-84D-1 HARPOON		168	38	32.625	3389	120.5	2	OR-68/103	145
PE56	1410012574981								MK607	DL26445309	GM, SURFACE ATTACK EXERCISE ATM-84D-1 HARPOON		168	38	32.625	3389	120.5	2	OR-68/103	145
PE57	1410012574969								MK607	DL26445309	GM, SURFACE ATTACK EXERCISE ATM-84A-1 HARPOON		168	38	32.625	3605	120.5	2	OR-68/103	145
PE57	1410012574970								MK607	DL26445309	GM, SURFACE ATTACK EXERCISE ATM-84A-1 HARPOON		168	38	32.625	3605	120.5	2	OR-68/103	145
PE58	1410012580448								MK607	DL26445309	GM, SURFACE ATTACK TACTICAL AGM-84A-1 HARPOON		168	38	32.625	3605	120.5	2	OR-68/103	145
PE58	1410012590686								MK607	DL26445309	GM, SURFACE ATTACK EXERCISE ATM-84A-1 HARPOON		168	38	32.625	3605	120.5	2	OR-68/103	145
PE61	1410012574974								MK607	DL26445309	GM, SURFACE ATTACK EXERCISE ATM-84D-1 HARPOON		168	38	32.625	3605	120.5	2	OR-68/103	145
PE61	1410012574975								MK607	DL26445309	GM, SURFACE ATTACK EXERCISE ATM-84D-1 HARPOON		168	38	32.625	3605	120.5	2	OR-68/103	145
PE62	1410012574976								MK607	DL26445309	GM, SURFACE ATTACK EXERCISE ATM-84D-1 HARPOON		168	38	32.625	3605	120.5	2	OR-68/103	145
PE62	1410012574977								MK607	DL26445309	GM, SURFACE ATTACK EXERCISE ATM-84D-1 HARPOON		168	38	32.625	3605	120.5	2	OR-68/103	145
PE63	1410012576494	58.25	11.625	11.625		89	4.6	1	WBD BOX	13296260	GM, PRACTICE BTM-71A2A STANDARD RANGE TOW	WP1	48	58.25	39.75	1151	64.3	12	5229	133
PE63	1410012576494	58.25	11.625	11.625		89	4.6	1	WBD BOX	13296260	GM, PRACTICE BTM-71A2A STANDARD RANGE TOW	WP1A	35.25	58.25	51.25	1136	60.9	12	5229	133
PE64	1410012577585	58.25	11.625	11.625		89	4.6	1	WBD BOX	13296262	GM, PRACTICE BTM-71A3A EXTENDED RANGE TOW	WP1	48	58.25	39.75	1151	64.3	12	5229	133
PE64	1410012577585	58.25	11.625	11.625		89	4.6	1	WBD BOX	13296261	GM, PRACTICE BTM-71A3A EXTENDED RANGE TOW	WP1A	35.25	58.25	51.25	1136	60.9	12	5229	133
PE65	1410012638092								MK608	DL 2645308	GUIDED MISSILE, EXERCISE ASROC RTM-84D-1 HARPOON		206.75	28.5	31.5	2482	107.4	1	OR-68/44	154
PE65	1410012638093								MK608	DL 2645308	GUIDED MISSILE, EXERCISE ASROC RTM-84D-1 HARPOON		206.75	28.5	31.5	2482	107.4	1	OR-68/44	154
PE65	1410012638094								MK608	DL 2645308	GUIDED MISSILE, EXERCISE ASROC RTM-84D-1 HARPOON		206.75	28.5	31.5	2482	107.4	1	OR-68/44	154
PE65	1410012638095								MK608	DL 2645308	GUIDED MISSILE, EXERCISE ASROC RTM-84D-1 HARPOON		206.75	28.5	31.5	2482	107.4	1	OR-68/44	154
PE66	1410012638096								MK632		GUIDED MISSILE, PRACTICE TARTAR RTM-84D2 HARPOON		193.5	28	28.5	2210	89.4	1	OR-4/239	151
PE66	1410012638097								MK632		GUIDED MISSILE, PRACTICE TARTAR RTM-84D2 HARPOON		193.5	28	28.5	2210	89.4	1	OR-4/239	151
PE66	1410012638098								MK632		GUIDED MISSILE, PRACTICE TARTAR RTM-84D2 HARPOON		193.5	28	28.5	2210	89.4	1	OR-4/239	151
PE66	1410012638099								MK632		GUIDED MISSILE, PRACTICE TARTAR RTM-84D2 HARPOON		193.5	28	28.5	2210	89.4	1	OR-4/239	151
PE69	1410012615517								MK694		GUIDED MISSILE, EXERCISE THICKWALL RTM-84D-5 HARPOON		217	41	42.5	5800	218.8	1	OR-4/339	153
PE69	1410012615518								MK694		GUIDED MISSILE, EXERCISE THICKWALL RTM-84D-5 HARPOON		217	41	42.5	5800	218.8	1	OR-4/339	153
PE69	1410012615519								MK694		GUIDED MISSILE, EXERCISE THICKWALL RTM-84D-5 HARPOON		217	41	42.5	5800	218.8	1	OR-4/339	153
PE69	1410012615520								MK694		GUIDED MISSILE, EXERCISE THICKWALL RTM-84D-5 HARPOON		217	41	42.5	5800	218.8	1	OR-4/339	153
PE70	1410012625027								MK630	DL5165987	GUIDED MISSILE, EXERCISE ENCAPSULATED UTM-84D-1 HARPOON		271.875	44	39.25	3667	271.7	1	OR-68/54	152
PE70	1410012625028								MK630	DL5165987	GUIDED MISSILE, EXERCISE ENCAPSULATED UTM-84D-1 HARPOON		271.875	44	39.25	3667	271.7	1	OR-68/54	152
PE71	1410012638073								MK632		GUIDED MISSILE, PRACTICE TARTAR RTM-84A2 HARPOON		193.5	28	28.5	2210	89.4	1	OR-4/239	151
PE71	1410012638074								MK632		GUIDED MISSILE, PRACTICE TARTAR RTM-84A2 HARPOON		193.5	28	28.5	2210	89.4	1	OR-4/239	151
PE72	1410012638075								MK632		GUIDED MISSILE, PRACTICE TARTAR RTM-84D2 HARPOON		193.5	28	28.5	2210	89.4	1	OR-4/239	151
PE72	1410012638076								MK632		GUIDED MISSILE, PRACTICE TARTAR RTM-84D2 HARPOON		193.5	28	28.5	2210	89.4	1	OR-4/239	151
PE73	1410012638077								MK632		GUIDED MISSILE, PRACTICE TARTAR RTM-84A2 HARPOON		193.5	28	28.5	2210	89.4	1	OR-4/239	151
PE73	1410012638078								MK632		GUIDED MISSILE, PRACTICE TARTAR RTM-84A2 HARPOON		193.5	28	28.5	2210	89.4	1	OR-4/239	151
PE74	1410012638081								MK632		GUIDED MISSILE, PRACTICE TARTAR RTM-84A2 HARPOON		193.5	28	28.5	2210	89.4	1	OR-4/239	151
PE74	1410012638082								MK632		GUIDED MISSILE, PRACTICE TARTAR RTM-84A2 HARPOON		193.5	28	28.5	2210	89.4	1	OR-4/239	151
PE75	1410012638083								MK608	DL 2645308	GUIDED MISSILE, EXERCISE ASROC RTM-84A-1 HARPOON		206.75	28.5	31.5	2654	107.4	1	OR-68/	

DODIC	NSN	PACK LEN	PACK WID	PACK HGT	PACK DIA	PACK WGT	PACK CUBE	RDS/ PACK	PACKAGE TYPE	PACKAGE DRAWING #	NOMENCLATURE	BASE TYPE	UNIT LOAD LEN	UNIT LOAD WID	UNIT LOAD HGT	UNIT LOAD WGT	UNIT LOAD CUBE	PKG/ UNIT LOAD	UNIT LOAD DRAWING	SECT. 2 INDEX #
PL42	1427014163186	67.25	13.125	10.5		77	5.4	1	WBD BOX		GM, INTERCEPT AERIAL FIM-92E STINGER	WP	39.375	67.25	36.5	749	55.9	9 5239	131	
PL47	1427014398639								GMLA		GM AND LAUNCH ASSEMBLY, M39A3 BAT ATACMS BLOCK II		166	41.5	33.75	4985	134.6	1 13330600	123	
PL53	1427014537226	59.25	15.25	15		70	7.8	1	MET CYL	13305300	GUIDED MISSILE, ANTI-TANK FGM-148B JAVELIN	WP1B	45.75	59.25	36.25	549	56.9	6 5266	113	
PL64	1427014758172	55.5	15.2	18.11		96	8.84	1	PLASTIC	13303015	GUIDED MISSILE, ANTI-TANK FGM-148C JAVELIN	WP1B	45.625	55.5	41	695	60.1	6 5270	158	
PL65	1427014808516								GMLA		GM AND LAUNCH ASSEMBLY, SURFACE ATTACK M48 ATACMS BLOCK IA UNITARY		166	41.5	33.75	4682	134.6	1 13330001	123	
PL70	1427014941457								GMLA		GM AND LAUNCH ASSEMBLY, SURFACE ATTACK ATACMS		166	41.5	32.625	5000	129.7	1 13294080	123	
PL72	1427015010371							4	CANISTER	13506000-2	GM, INTERCEPT-AERIAL XM91E1 PATRIOT PAC-3		221.75	42.25	39	4399	209.2	1	178	
PL81	1427000000195								GMLA		MISSILE LAUNCH POD ASSEMBLY, M39 ATACMS BLOCK I		166	41.5	32.625	5105	129.7	1 13288685	123	
PL81	1427012743904								GMLA		MISSILE LAUNCH POD ASSEMBLY, SURFACE ATTACK M39 ATACMS BLOCK I		166	41.5	32.625	4814	129.7	1 13288001	123	
PL81	1427013863113								GMLA		MISSILE LAUNCH POD ASSEMBLY, SURFACE ATTACK M39 ATACMS BLOCK I		166	41.5	32.625	5111	129.7	1 13288692	123	
PL83	1427013289065	67.25	13.125	10.5		77	5.4	1	WBD BOX		GM, INTERCEPT AERIAL STINGER-BASIC FIM-92A	WP	39.375	67.25	36.5	749	55.9	9 5239	131	
PL84	1427013289064	65.5625	13	13.375		85	6.8	1	ALUM		GM, INTERCEPT AERIAL FIM-92A STINGER-BASIC	WP1	42	67.0625	45.625	943	73.8	9 5239	131	
PL85	1427011197620	56	17	12.75		147	7.2	1	MONOPAK		EJECT MOTOR GROUP, APN 13049350 STINGER	WP1	40.75	57.75	43.75	1080	59.6	6 5263	1	
PL86	1427013253159	67.5	13.125	10.5		77	5.4	1	WBD BOX		GM, INTERCEPT AERIAL FIM-92D STINGER-RMP	WP	39.375	67.25	36.5	749	55.9	9 5239	131	
PL86	1427013567047	67.25	13.125	10.5		76	5.4	1	WBD BOX		GM, INTERCEPT AERIAL FIM-92D STINGER-RMP	WP	39.375	67.25	36.5	740	55.9	9 5239	131	
PL87	1427012567048	65.5625	13	13.375		90	6.8	1	ALUM		GM, INTER AERIAL STINGER-RMP/SDAF/US FIM-92D	WP1	42	67.0625	45.625	988	73.8	9 5239	131	
PL87	1427013253160	65.5625	13	13.375		87	6.8	1	ALUM		GM, INTER AERIAL FIM-92D STINGER-RMP/SDAF/US	WP1	42	67.0625	45.625	961	73.8	9 5239	131	
PL88	1427013253161	65.5625	13	13.375		85	6.8	1	ALUM		GM, INTERCEPT AERIAL FIM-92D STINGER-RMP	WP1	42	67.0625	45.625	943	73.8	9 5239	131	
PL89	1427013253158	67.5	13.125	10.5		79	5.4	1	WBD BOX		GM, INTER AERIAL FIM-92D STINGER-RMP/SDAF/US	WP	39.375	67.25	36.5	767	55.9	9 5239	131	
PL90	1427010249967	67.25	13.125	10.5		79	5.4	1	WBD BOX	11508762	GM, INTERCEPT AERIAL FIM-92A STINGER-BASIC	WP	39.375	67.25	36.5	767	55.9	9 5239	131	
PL91	1427012124998	67.25	13.125	10.5		79	5.4	1	WBD BOX	13223713	GM, INTERCEPT AERIAL FIM-92B STINGER-POST	WP	39.375	67.25	36.5	767	55.9	9 5239	131	
PL92	1427012192902	65.5625	13	13.375		87	6.8	1	ALUM		GM, INTERCEPT AERIAL FIM-92B STINGER-POST	WP1	42	67.0625	45.625	961	73.8	9 5239	131	
PL93	1427012197116	65.5625	13	13.375		87	6.8	1	ALUM		GM, INTERCEPT AERIAL FIM-92A STINGER-BASIC	WP1	42	67.0625	45.625	961	73.8	9 5239	131	
PL94	1427012308783	67.5	13.125	10.5		79	5.4	1	WBD BOX	13252011	GM, INTERCEPT AERIAL FIM-92C STINGER-RMP	WP	39.375	67.25	36.5	767	55.9	9 5239	131	
PL95	1427012308784	65.5625	13	13.375		87	6.8	1	ALUM	13252012	GM, INTERCEPT AERIAL FIM-92C STINGER-RMP	WP1	42	67.0625	45.625	961	73.8	9 5239	131	
PL96	1427012873262	67.5	13.125	10.5		77	5.4	1	WBD BOX		GM, INTERCEPT AERIAL FIM-92C STINGER-RMP	WP	39.375	67.25	36.5	749	55.9	9 5239	131	
PL97	1427013020665	67.5	13.125	10.5		76	5.4	1	WBD BOX		GM, INTERCEPT AERIAL FIM-92C STINGER-RMP	WP	39.375	67.25	36.5	740	55.9	9 5239	131	
PM75	1427015112143										GUIDED MISSILE AND LAUNCH ASSEMBLY, ARMY TACTICAL MISSILE SYSTEM (ATACMS), BLOCK 1A UNITARY, SURFACE ATTACK, M57		166	41.5	32.625	5000	129.7	1 13330130	123	
PM79	1427015223326							4	CANISTER	13604000-4	CANISTER ASSEMBLY, GUIDED MISSILE M91F1 PATRIOT PAC-3		221.75	42.25	39	4399	209.2	1	178	
PM80	1427012731228	47.5	16	16		67	7	1	WBD BOX		GM, SURFACE ATTACK HEAT DRAGON II	SWP	47.5	80	69	1454	151.7	20 5218	121	
PM80	1427014064172	47.5	16	16		67	7	1	WBD BOX		GM, SURFACE ATTACK HEAT MK1 MOD 0 DRAGON II	SWP	47.5	80	69	1454	151.7	20 5218	121	
PM89	1427015238822							4	CANISTER	13604000	CANISTER ASSEMBLY, GUIDED MISSILE XM91E2 PATRIOT PAC-3		221.75	42.25	39	4399	209.2	1	178	
PM90	1427013046067	65.5625	13	13.375		85	6.8	1	ALUM		GM, INTERCEPT AERIAL FIM-92C STINGER-RMP	WP1	42	67.0625	45.625	943	73.8	9 5239	131	
PM93	1427015289582	55.5	15.2	18.11		96	8.84	1	PLASTIC	13303015	GUIDED MISSILE, SURFACE ATTACK, JAVELIN BLOCK I, FGM-148E, PACKED IN HDPE CONTAINER	WP1B	45.625	55.5	41	695	60.1	6 5270	158	
PMA0	1427015320256							4	CANISTER	13604000-2	CANISTER ASSEMBLY, GUIDED MISSILE XM91E3 PATRIOT PAC-3		221.75	42.25	39	4399	209.2	1	178	
PT42	1420012580331	49.5	14.125	12.5		110	5.1	1	CNU-317	793500	CONTROL SECTION, GUIDED BOMB WCU-10A/B F/AGM-123 SKIPPER	MK3MP	49.5	42.375	41.875	1089	50.8	9 6214415	177	
PU03	1410013247752								MK724-0	OR-68/148	TRAINER, INERT AGM-84E SLAM		186	37.625	30.25	3800	122.5	2 OR-68/148	183	
PU07	1410013798244	58.25	11.625	11.625		87	4.6	1	WBD BOX		GM, SURFACE ATTACK TOW	WP1	48	58.25	39.75	1127	64.3	12 5229	133	
PU07	1410013798244	58.25	11.625	11.625		87	4.6	1	WBD BOX		GM, SURFACE ATTACK TOW	WP1A	35.25	58.25	51.25	1112	60.9	12 5229	133	
PU08	1410013798253	58.25	11.625	11.625		87	4.6	1	WBD BOX		GM, SURFACE ATTACK BGM-71E-6B TOW-2A	WP1	48	58.25	39.75	1127	64.3	12 5229	133	
PU08	1410013798253	58.25	11.625	11.625		87	4.6	1	WBD BOX		GM, SURFACE ATTACK BGM-71E-6B TOW-2A	WP1A	35.25	58.25	51.25	1112	60.9	12 5229	133	
PU09	1410013438924	58.25	11.625	11.625		87	4.6	1	WBD BOX		GM, PRACTICE BTM-71E-2B TOW-2A	WP1	48	58.25	39.75	1127	64.3	12 5229	133	
PU09	1410013438924	58.25	11.625	11.625		87	4.6	1	WBD BOX		GM, PRACTICE BTM-71E-2B TOW-2A	WP1A	35.25	58.25	51.25	1112	60.9	12 5229	133	
PU16	1410013798260	58.25	11.625	11.625		87	4.6	1	WBD BOX		GM, SURFACE ATTACK BGM-71E-5B TOW-2A	WP1	48	58.25	39.75	1127	64.3	12 5229	133	
PU16	1410013798260	58.25	11.625	11.625		87	4.6	1	WBD BOX		GM, SURFACE ATTACK BGM-71E-5B TOW-2A	WP1A	35.25	58.25	51.25	1112	60.9	12 5229	133	
PU16	1410013798260	58.9375	11	11		105	4.1	1	CNU-553		GM, SURFACE ATTACK BGM-71E-5B TOW-2A	MP4	45.5	59.9375	38.4375	1542	61.2	12 5268	138	
PU22	1410013675555								CNU-242		GM, TACTICAL PHOENIX ATM-54C		168	38	30	3115	110.8	2	194	
PU23	1410013675556								CNU-242		GM, TACTICAL PHOENIX ATM-54C		168	38	30	3115	110.8	2	194	
PU24	1420013675557								CNU-242		GM, TACTICAL PHOENIX ATM-54C		168	38	30	3115	110.8	2	194	
PU25	1410013675558								CNU-242		GM, TACTICAL PHOENIX ATM-54C		168	38	30	3115	110.8	2	194	
PU26	1410013705008								CNU-242		GM, AIR TRAINING PHOENIX ATM-54		168	38	30	3115	110.8	2	194	
PU30	1410013692505								CNU-310		GM, INTERCEPT AERIAL AIM-9S-2 SIDEWINDER		138.25	42	17.75	1380	59.7	4 785041-10	117	
PU38	1410013748206								CNU-496	9018070	GUIDED MISSILE, SURFACE ATTACK AGM-142A HAVE NAP		221.313	26.625	38.75	4400	182	1	188	
PU41	1410013878436								CANISTER		GM, INTERCEPT AERIAL MIM-104D PATRIOT		234	42.375	38.75	3750	222.4	1 11470139	165	
PU45	1410013750438								CNU-431		GM, INTERCEPT AERIAL AIM-120A AMRAAM		174	38.125	18.9375	2000	72.7	4 8644140	142	
PU46	1410013750439								CNU-431		GM, INTERCEPT AERIAL AIM-120A AMRAAM		174	38.125	18.9375	2000	72.7	4 8644140	142	
PU50	1410013794896								CNU-431		GM, INTERCEPT AERIAL TACTICAL AIM-120B AMRAAM		174	38.125	18.9375	2000	72.7	4 8644140	142	
PU52	1410013954613								MK724-0	OR-68/148	GUIDED MISSILE, AIR TACTICAL AGM-84E-1C SLAM		186	37.625	30.25	3800	122.5	2 OR-68/148	183	
PU53	1410013954614										MISSILE BODY, SLAM ATM-84E-1D INERT		186	37.625	30.25	3800	122.5	2 OR-68/148	183	
PU54	1410013954615																			

DODIC	NSN	PACK LEN	PACK WID	PACK HGT	PACK DIA	PACK WGT	PACK CUBE	RDS/ PACK	PACKAGE TYPE	PACKAGE DRAWING #	NOMENCLATURE	BASE TYPE	UNIT LOAD LEN	UNIT LOAD WID	UNIT LOAD HGT	UNIT LOAD WGT	UNIT LOAD CUBE	PKG/ UNIT LOAD	UNIT LOAD DRAWING	SECT. 2 INDEX #
PU66	1410013985541								MK630	DL5165987	CAPSULE ASSEMBLY, EXERCISE UTM-84G-1 HARPOON		271.875	44	39.25	3667	271.7	1	OR-68/54	152
PU67	1410014069251	58.25	11.625	11.625		87	4.6	1	WBD BOX		GM, SURFACE ATTACK BGM-71C-3B ITOW	WP1	48	58.25	39.75	1127	64.3	12	5229	133
PU67	1410014069251	58.25	11.625	11.625		87	4.6	1	WBD BOX		GM, SURFACE ATTACK BGM-71C-3B ITOW	WP1A	35.25	58.25	51.25	1112	60.9	12	5229	133
PU68	1410014069252	58.25	11.625	11.625		87	4.6	1	WBD BOX		GM, SURFACE ATTACK BGM-71A-5B BASIC TOW	WP1	48	58.25	39.75	1127	64.3	12	5229	133
PU68	1410014069252	58.25	11.625	11.625		87	4.6	1	WBD BOX		GM, SURFACE ATTACK BGM-71A-5B BASIC TOW	WP1A	35.25	58.25	51.25	1112	60.9	12	5229	133
PU69	1410013992400								CNU-431		GM, INTERCEPT AERIAL AIM-120C AMRAAM		174	38.125	18.9375	2000	72.7	4	8644140	142
PU69	1410015038135								CNU-415A		GM, INTERCEPT AERIAL AUR AIM-120C-3 AMRAAM		157.375	36	19.875	2187	65.2	4	6214480	184
PU72	1410014124435	76	14.875	16		188.8	10.5	1	METAL	13155079	GM, SURFACE ATTACK AGM-114K2 HELLFIRE II	WP	44.375	76	53	1783	103.4	9	5250	137
PU73	1410014138959								CNU-431		GM, INTERCEPT AERIAL TELEMETRY JAIM-120C AMRAAM		174	38.125	18.9375	2000	72.7	4	8644140	142
PU74	1410014138960								CNU-431		GM, INTERCEPT AERIAL JAIM-120B AMRAAM		174	38.125	18.9375	2000	72.7	4	8644140	142
PU76	1410014221054	76	14.875	16		188.8	10.5	1	METAL	13155079	GM, SURFACE ATTACK AGM-114K1 HELLFIRE II	WP	44.375	76	53	1783	103.4	9	5250	137
PU77	1410014254469	76	14.875	16		188.8	10.5	1	METAL	13155079	GM, SURFACE ATTACK AGM-114K3 HELLFIRE II	WP	44.375	76	53	1783	103.4	9	5250	137
PV01	1410013018515	58.25	11.625	11.625		87	4.6	1	WBD BOX		GM, SURFACE ATTACK BGM-71D1B TOW 2	WP1	48	58.25	39.75	1127	64.3	12	5229	133
PV01	1410013018515	58.25	11.625	11.625		87	4.6	1	WBD BOX		GM, SURFACE ATTACK BGM-71D1B TOW 2	WP1A	35.25	58.25	51.25	1112	60.9	12	5229	133
PV02	1410013035172	58.25	11.625	11.625		87	4.6	1	WBD BOX		GM, PRACTICE BGM-71D1B TOW 2	WP1	48	58.25	39.75	1127	64.3	12	5229	133
PV02	1410013035172	58.25	11.625	11.625		87	4.6	1	WBD BOX		GM, PRACTICE BGM-71D1B TOW 2	WP1A	35.25	58.25	51.25	1112	60.9	12	5229	133
PV03	1410013098303	58.25	11.625	11.625		87	4.6	1	WBD BOX		GM, SURFACE ATTACK BGM-71C-2B ITOW	WP1	48	58.25	39.75	1127	64.3	12	5229	133
PV03	1410013098303	58.25	11.625	11.625		87	4.6	1	WBD BOX		GM, SURFACE ATTACK BGM-71C-2B ITOW	WP1A	35.25	58.25	51.25	1112	60.9	12	5229	133
PV04	1410013098301	58.25	11.625	11.625		87	4.6	1	WBD BOX		GM, PRACTICE BGM-71A-2B TOW	WP1	48	58.25	39.75	1127	64.3	12	5229	133
PV04	1410013098301	58.25	11.625	11.625		87	4.6	1	WBD BOX		GM, PRACTICE BGM-71A-2B TOW	WP1A	35.25	58.25	51.25	1112	60.9	12	5229	133
PV05	1410013098302	58.25	11.625	11.625		87	4.6	1	WBD BOX		GM, PRACTICE BGM-71A-1B EXTENDED RANGE TOW	WP1	48	58.25	39.75	1127	64.3	12	5229	133
PV05	1410013098302	58.25	11.625	11.625		87	4.6	1	WBD BOX		GM, PRACTICE BGM-71A-1B EXTENDED RANGE TOW	WP1A	35.25	58.25	51.25	1112	60.9	12	5229	133
PV18	1410013225333	58.25	11.625	11.625		87	4.6	1	WBD BOX		GUIDED MISSILE, PRACTICE BGM-71F TOW 2B	WP1	48	58.25	39.75	1127	64.3	12	5229	133
PV18	1410013225333	58.25	11.625	11.625		87	4.6	1	WBD BOX		GUIDED MISSILE, PRACTICE BGM-71F TOW 2B	WP1A	35.25	58.25	51.25	1112	60.9	12	5229	133
PV20	1410013207531								CNU-431		GM, INTERCEPT AERIAL AIM-120 AMRAAM		174	38.125	18.9375	1973	72.7	4	8644140	142
PV26	1410013135366	58.25	11.625	11.625		87	4.6	1	WBD BOX		GM, PRACTICE BGM-71D-3B TOW 2	WP1	48	58.25	39.75	1127	64.3	12	5229	133
PV26	1410013135366	58.25	11.625	11.625		87	4.6	1	WBD BOX		GM, PRACTICE BGM-71D-3B TOW 2	WP1A	35.25	58.25	51.25	1112	60.9	12	5229	133
PV29	1410013322471	84	14.875	16		203	11.6	1	METAL	133349586	GM, SURFACE ATTACK AGM-114F IMPROVED HELLFIRE	WP	44.375	84	53	1921	114.3	9	5250	137
PV30	1410013810715	76	14.875	16		188.8	10.5	1	METAL	13155079	GM, SURFACE ATTACK AGM-114K HELLFIRE II	WP	44.375	76	53	1783	103.4	9	5250	137
PV39	1410013135364	58.25	11.625	11.625		87	4.6	1	WBD BOX		GM, PRACTICE BGM-71A-3B EXTENDED RANGE TOW	WP1	48	58.25	39.75	1127	64.3	12	5229	133
PV39	1410013135364	58.25	11.625	11.625		87	4.6	1	WBD BOX		GM, PRACTICE BGM-71A-3B EXTENDED RANGE TOW	WP1A	35.25	58.25	51.25	1112	60.9	12	5229	133
PV40	1410013058889								CNU-434	1596AS206	GM, TRAINING SIDEARM 1 CATM-122/A		134	36.25	19.75	1286	52	4		195
PV45	1410013135365	58.25	11.625	11.625		87	4.6	1	WBD BOX		GM, SURFACE ATTACK BGM-71C-3B TOW 2A	WP1	48	58.25	39.75	1127	64.3	12	5229	133
PV45	1410013135365	58.25	11.625	11.625		87	4.6	1	WBD BOX		GM, SURFACE ATTACK BGM-71C-3B TOW 2A	WP1A	35.25	58.25	51.25	1112	60.9	12	5229	133
PV47	1410013135367	58.25	11.625	11.625		87	4.6	1	WBD BOX		GM, SURFACE ATTACK BGM-71C4B I. TOW	WP1	48	58.25	39.75	1127	64.3	12	5229	133
PV47	1410013135367	58.25	11.625	11.625		87	4.6	1	WBD BOX		GM, SURFACE ATTACK BGM-71C4B I. TOW	WP1A	35.25	58.25	51.25	1112	60.9	12	5229	133
PV49	1410013155010								CNU-242		GM, TACTICAL PHOENIX AIM-54C		168	38	30	3062	110.8	2		194
PV50	1410013155675								CNU-242		GM, TACTICAL PHOENIX AIM-54CX		168	38	30	2062	110.8	2		194
PV51	1410013155676								CNU-242		GM, TACTICAL PHOENIX AIM-54C		168	38	30	2062	110.8	2		194
PV52	1410013155677								CNU-242		GM, TACTICAL PHOENIX AIM-54C		168	38	30	2062	110.8	2		194
PV53	1410013155678								CNU-242		GM, TACTICAL PHOENIX AIM-54C		168	38	30	2062	110.8	2		194
PV54	1410013156185								CNU-242		GM, TACTICAL PHOENIX AIM-54C		168	38	30	2062	110.8	2		194
PV55	1410013156186								CNU-242		GM, TACTICAL PHOENIX AIM-54C		168	38	30	2062	110.8	2		194
PV56	1410013156996								CNU-242		GM, TACTICAL PHOENIX AIM-54C		168	38	30	2062	110.8	2		194
PV57	1410013156997								CNU-242		GM, TACTICAL PHOENIX AIM-54C		168	38	30	2062	110.8	2		194
PV58	1410013156998								CNU-242		GM, TACTICAL PHOENIX AIM-54C		168	38	30	2062	110.8	2		194
PV59	1410013156999								CNU-242		GM, TACTICAL PHOENIX AIM-54C		168	38	30	2062	110.8	2		194
PV60	1410013156995								CNU-242		GM, TACTICAL PHOENIX AIM-54C		168	38	30	2062	110.8	2		194
PV61	1410013158144								CNU-242		GM, TACTICAL PHOENIX AIM-54C		168	38	30	2062	110.8	2		194
PV62	1410013158145								CNU-242		GM, TACTICAL PHOENIX AIM-54C		168	38	30	2062	110.8	2		194
PV63	1410013158420								CNU-242		GM, TACTICAL PHOENIX AIM-54C		168	38	30	2062	110.8	2		194
PV64	1410013158421								CNU-242		GM, TACTICAL PHOENIX AIM-54C		168	38	30	2062	110.8	2		194
PV65	1410013158422								CNU-242		GM, TACTICAL PHOENIX AIM-54C		168	38	30	2062	110.8	2		194
PV68	1410013083789								CNU-305		GM, SURFACE ATTACK AIM-7M SPARROW		180	45	21	2855	98.5	4	778460-10	115
PV69	1410013083788								CNU-305		GM, SURFACE ATTACK AIM-7M SPARROW		180	45	21	2855	98.5	4	778460-10	115
PV77	1410013315483								CNU-310		GM, INTERCEPT AERIAL AIM-9M-7 SIDEWINDER		138.25	42	17.75	1380	59.7	4	785041-10	117
PV82	1410013702289	58.25	11.625	11.625		87	4.6	1	WBD BOX		GUIDED MISSILE, SURFACE ATTACK BGM-71F-1 TOW 2B	WP1	48	58.25	39.75	1127	64.3	12	5229	133
PV82	1410013702289	58.25	11.625	11.625		87	4.6	1	WBD BOX		GUIDED MISSILE, SURFACE ATTACK BGM-71F-1 TOW 2B	WP1A	35.25	58.25	51.25	1112	60.9	12	5229	133
PV82	1410015468531	58.25	11.625	11.625							GUIDED MISSILE, SURFACE ATTACK, BGM-71F-1, TOW 2B							5229	133	
PV83	1410013702288	58.25	1																	

DODIC	NSN	PACK LEN	PACK WID	PACK HGT	PACK DIA	PACK WGT	PACK CUBE	RDS/ PACK	PACKAGE TYPE	PACKAGE DRAWING #	NOMENCLATURE	BASE TYPE	UNIT LOAD LEN	UNIT LOAD WID	UNIT LOAD HGT	UNIT LOAD WGT	UNIT LOAD CUBE	PKG/ UNIT LOAD	UNIT LOAD DRAWING	SECT. 2 INDEX #	
PV96	1410013638190								MK724-0	OR-68/148	GUIDED MISSILE, TRAINER CATM-84E-1AC/O SLAM		186	37.625	30.25	3800	122.5	2	OR-68/148	183	
PV97	1410013613486								MK724-1	OR-68/168	GUIDED MISSILE, AIR TACTICAL AGM-84E-1 SLAM		186	37.625	30.25	3800	122.5	2	OR-68/148	183	
PY15	6920012547577								CNU-447		CAPTIVE AIR TRAINING MISSILE, MAVERICK IMAGING INFRARED CATM-65F		108.875	28.1875	29.5	1019	52.4	1	879475	126	
PY78	6920013014619								CNU-431		GM, TRAINING CATM-120A AMRAAM		174	38.125	18.9375	2000	72.7	4	8644140	142	
QL61	6920016537366								CNU-710	8411078	GM, TRAINING JSOW CAPTIVE AIR CATM-154C-1		171.625	30.75	31.5	2120	96.2	1		196	
QL64	6920016574134								CNU-710	8411078	GM, TRAINING JSOW CAPTIVE AIR CAPTIVE FLIGHT CATM-154C-1		171.625	30.75	31.5	2095	96.2	1		196	
SP02	1377013567841									MIL-STD-2073	CORD ASSEMBLY, DETONATING									1	
SP03	1377013567842									MIL-STD-2073	CORD ASSEMBLY, DETONATING									1	
SQ20	1377014257579	22	11	11		57	1.5	1	PA160	12908176	WIDE AREA MUNITION (WAM), M93	ACV286	44	56.5	41.5	2078	59.7	30	4231/100	136	
TS01	1346015383120	18.5938	8.2969	14.5938		42	1.3	12	M548	7258943	LAUNCHER AND GRENADE ASSEMBLY, MINIATURE GRENADE LAUNCHER (MGL) XM8 - SPIDER	WP1	40.5	49.75	34.5	1146	40	24	4116/92	1	
TS02	1346015383141	18.5938	8.2969	14.5938		31	1.3	20	M548	7258943	LAUNCHER AND LINE ASSEMBLY, EXTENDED RANGE TRIPLINE SENSOR (ERTS) XM9 - SPIDER	WP1	40.5	49.75	34.5	882	40	24	4116/92	1	
TS04	1346015383145			18.5	11.5	31	1.42	2	STL PAIL	28073001-001	MUNITION CONTROL UNIT (MCA), XM10	WP1	40.25	48.25	42.625	963	47.9	24	4116/92B	1	
TS05	1346015837504	24	24	12.625		150	4.21	1	ALUM CON	312-103364	MUNITION AND DISPENSING MODULE, SCORPION XM500	SK2	48	24	43.25	950	28.9	6	4138/118	2	
TS09	1346016065980				11.125	11.8125	17	0.89	1	STL PAIL	13042513	MUNITION KIT, CONTROL UNIT XM332	WP1	40.25	49.5	38.625	818	44.5	36	4116/92C	1
TS11	1346016947184	23.125	23	19.875		85	6.12	1	PLAS BOX		DISPENSING MODULE KITE, MUNITION STANDOFF ACTIVATED VOLCANO XM343	SKII	48	24.5	44.75	406	30.5	4	4138/85	1	
TY01	1410014418514								CNU-578		GM, SURFACE ATTACK AGM-130A-9		170	37	49.25	4960	179.3	1	9531330	161	
TY02	1410014419101								CNU-578		GM, SURFACE ATTACK AGM-130A-10		170	37	49.25	4960	179.3	1	9531330	161	
TY03	1410014420168								CNU-578		GM, SURFACE ATTACK AGM-130C-9		170	37	49.25	4960	179.3	1	9531330	161	
TY04	1410014419091								CNU-578		GM, SURFACE ATTACK AGM-130C-10		170	37	49.25	4960	179.3	1	9531330	161	
V215	1337009216237								CNU-248		ROCKET MOTOR, MK39 MOD 2 F/AGM45 (SHRIKE)		60	18.5	23.125	301	14.9	1	776013	148	
V216	1337008044368								CNU-248		ROCKET MOTOR, MK39 MOD 4 F/AGM45A (SHRIKE)		60	18.5	23.125	337	14.9	1	776013	148	
V217	1337009154482								CNU-248		ROCKET MOTOR, MK39 MOD 3 F/AGM45A (SHRIKE)		60	18.5	23.125	328	14.9	1	776013	148	
V319	1337001830945								CNU-248		ROCKET MOTOR, MK39 MOD 7 F/AGM45A (SHRIKE)		60	18.5	23.125	325	14.9	1	776013	148	
V322	1337001868540								CNU-248		ROCKET MOTOR, MK78 MOD 0 F/AGM45B (SHRIKE)		60	18.5	23.125	325	14.9	1	776013	148	
V334	1337009374726								CNU-248		ROCKET MOTOR, MK53 MOD 1 F/AGM45A (SHRIKE)		60	18.5	23.125	322	14.9	1	776013	148	
V511	1337010926246	81	13.625	13.625		160	8.7			11508881-2	ROCKET MOTOR, 5 INCH M121 CHAPARRAL SMOKELESS		60	18.5	23.125	322	14.9	1	776013	999	
V879	1337010652388								CNU-248		ROCKET MOTOR, MK53 MOD 2 F/AGM45A (SHRIKE)		60	18.5	23.125	322	14.9	1	776013	148	
WA97	1346014642606	15.125	10.5625	13.5		34	1.2	6	WBD BOX	8800900	MUNITION, CROWD CONTROL MODULAR (MCCM) NON-LETHAL M5	WP1B	42.25	53.5	35.75	1202	46.8	32	4116/95A	1	
WF06	1410014600089								CNU-578		GM, SURFACE ATTACK AGM-130C-11		170	37	49.25	4960	179.3	1	9531330	161	
WF07	1410014600671								CNU-578		GM, SURFACE ATTACK AGM-130C-12		170	37	49.25	4960	179.3	1	9531330	161	
WF12	1410014626500								CNU-575		GM, TACTICAL AGM-154A NAVY JSOW		179.75	31	31	2217	100	1	3181AS3000	164	
WF15	1410014649031										GM, SURFACE ATTACK, BLAST FRAGMENTATION WARHEAD, AGM-114M, HELLFIRE								5250	137	
WF17	1410014649035	76	14.875	16		195.8	10.5	1	METAL	13155079	GM, SURFACE ATTACK AGM-114M-3 HELLFIRE	WP	44.375	76	53	1846	103.4	9	5250	137	
WF25	1410014654863								CNU-671		GM, TACTICAL AGM-154B NAVY JSOW		170.5	31	31.75	2132	97.1	1	4283067-1	174	
WF26	1410014654873								CNU-575		GM, TACTICAL AGM-154B NAVY JSOW		179.75	31	31	2217	100	1	3181AS3000	164	
WF33	1427014708411							4	CANISTER	13506000	GM, INTERCEPT-AERIAL XM91 PATRIOT PAC-3		221.75	42.25	39	4399	209.2	1		178	
WF37	1410014730281	58.25	11.625	11.625		96	4.6	1	WBD BOX		GUIDED MISSILE, SURFACE ATTACK, TOW 2B GEN I, BGM-71F-1A	WP1	48	58.25	39.75	1235	64.3	12	5229	133	
WF37	1410014730281	58.25	11.625	11.625		96	4.6	1	WBD BOX		GUIDED MISSILE, SURFACE ATTACK, TOW 2B GEN I, BGM-71F-1A	WP1A	35.25	58.25	51.25	1220	60.9	12	5229	133	
WF41	1410014722071								CNU-431V2		GM, INTERCEPT AERIAL AIM-120C-5 AMRAAM		174	38.125	18.9375	2000	72.7	4	8644140	142	
WF41	1410014722071								CNU-415B		GM, INTERCEPT AERIAL AIM-120C-5 AMRAAM		157.375	36	19.875	2118	65.2	4	6214480	184	
WF41	1410015038148								CNU-415		GM, INTERCEPT AERIAL AIM-120C-5 AMRAAM		157.375	36	19.875	2219	65.2	4	6214480	184	
WF47	1410014770138							1	CNU-614	79601200	GM, SURFACE ATTACK AGM-158A JASSM		180	39	37	3370	150.3	1		166	
WF48	1410014778105								CNU-415B		GM, INTERCEPT AERIAL TELEMETRY AIM-120C-5		157.375	36	19.875	2219	65.2	4	6214480	184	
WF51	1410014822271								CNU-415B		GM, INTERCEPT AERIAL AIM-120C-6 AMRAAM		157.375	36	19.875	2118	65.2	4	6214480	184	
WF51	1410015038153								CNU-415A		GM, INTERCEPT AERIAL AUR AIM-120C-6 AMRAAM		157.375	36	19.875	2219	65.2	4	6214480	184	
WF52	1410014827553								CNU-415B		GM, INTERCEPT AERIAL TELEMETRY AIM-120C-6 AMRAAM		157.375	36	19.875	2219	65.2	4	6214480	184	
WF77	1410014917972								CNU-609		GM, TACTICAL AIM-9X SIDEWINDER		138.25	42	22.125	1386	74.3	4	2215440-2	176	
WF77	1410015197188								CNU-609		GM, TACTICAL AIM-9X SIDEWINDER		138.25	42	22.125	1390	74.3	4	2215440-2	176	
WF78	1410014917980								CNU-609		GM, SPECIAL AIR TRAINING AIM-9X NATM SIDEWINDER		138.25	42	22.125	1386	74.3	4	2215440-2	176	
WF78	1410015197386								CNU-609		GM, SPECIAL AIR TRAINING AIM-9X NATM SIDEWINDER		138.25	42	22.125	1386	74.3	4	2215440-2	176	
WF79	1410014917978								CNU-609		GM, SPECIAL AIR TRAINING AIM-9X NATM SIDEWINDER		138.25	42	22.125	1386	74.3	4	2215440-2	176	
WF79	1410015197394								CNU-609		GM, SPECIAL AIR TRAINING AIM-9X NATM SIDEWINDER		138.25	42	22.125	1386	74.3	4	2215440-2	176	
WF81	1410014937454								CANISTER		GM, INTERCEPT AERIAL MIM-104E PATRIOT		234	42.375	38.75	3750	222.4	1	11480246	165	
WF87	1410015006969								CNU-575		GM, TACTICAL AGM-154A EXPLOSIVE ATMOSPHERE COMPLIANT JSOW		170.5	31	31.75	1873	100	1	3181AS3000	164	
WF87	1410015356664								CNU-672		GM, TACTICAL AGM-154A NAVY JSOW		170.5	31	31.75	2135	97.1	1	4283068-1	174	
WF89	1410015023515								CNU-415B		GM, INTERCEPT AERIAL AIM-120C-7 AMRAAM		157.375	36	19.875	2219	65.2	4	6214480	184	
WF92	1410015033450								CNU-431		GM, INTERCEPT AERIAL TELEMETRY JAIMS AIM-120C-7		174	38.125	18.9375	2000	72.7	4	8644140	142	
WF92	1410015033450								CNU-415B		GM, INTERCEPT AERIAL TELEMETRY JAIMS AIM-120C-7		157.375	36	19.875	2219	65.2	4	6214480	184	
WF93	1410015036776	58.25	11.625	11.625		97	4.6	1	WBD BOX		GUIDED MISSILE, SURFACE ATTACK, TOW 2B AERO, BGM-71F-3	WP1A	35.25	58.25	51.25	1247	60.9	12	5229	133	
WF93	1410015036776	58.25	11.625	11.625		97	4.6	1	WBD BOX		GUIDED MISSILE, SURFACE ATTACK, TOW 2B AERO, BGM-71F-3	WP1	48	58.25	39.75	1232	64.3	12	5229	133	
WF94	1410015036774																				

DODIC	NSN	PACK LEN	PACK WID	PACK HGT	PACK DIA	PACK WGT	PACK CUBE	RDS/ PACK	PACKAGE TYPE	PACKAGE DRAWING #	NOMENCLATURE	BASE TYPE	UNIT LOAD LEN	UNIT LOAD WID	UNIT LOAD HGT	UNIT LOAD WGT	UNIT LOAD CUBE	PKG/ UNIT LOAD	UNIT LOAD DRAWING	SECT. 2 INDEX #
WF96	1410015044781	76	14.875	16		192	10.5	1	METAL	13155079	GM, SURFACE ATTACK METAL AUGMENTED CHARGE AGM-114N HELLFIRE	WP	43.875	76	36	1252	103.4	9	6214039	137
WF97	1410015054144	84	14.875	16		200	10.5	1	METAL	13349586	GM, SURFACE ATTACK AGM-114L-5 LONGBOW HELLFIRE	WP	44.375	84	53	1884	114.3	9	5250	137
WG02	1410015112655	58.25	11.625	11.625		97	4.6	1	WBD BOX		GUIDED MISSILE, SURFACE ATTACK, GEN 2 TOW 2B AERO, BGM-71F-6	WP1A	35.25	58.25	51.25	1247	60.9	12	5229	133
WG02	1410015112655	58.25	11.625	11.625		97	4.6	1	WBD BOX		GUIDED MISSILE, SURFACE ATTACK, GEN 2 TOW 2B AERO, BGM-71F-6	WP1	48	58.25	39.75	1232	64.3	12	5229	133
WG03	1410015138504								MK607	DL26445309	GM, SURFACE ATTACK AIR TACTICAL AGM-84D-1 HARPOON		168	38	32.625	3389	120.5	2	OR-68/103	145
WG04	1410015138507								MK607	DL26445309	GM, SURFACE ATTACK AIR TACTICAL AGM-84D-1 HARPOON		168	38	32.625	3389	120.5	2	OR-68/103	145
WG07	1410015138559								MK694		THICK WALL MISSILE/CANISTER ASSEMBLY, TACTICAL RGM-84D-5 HARPOON		217	41	42.5	5800	218.8	1	OR-4/339	153
WG08	1410015138563								MK694		THICK WALL MISSILE/CANISTER ASSEMBLY, HARPOON, TACTICAL, RGM-84D-5		217	41	42.5	5800	218.8	1	OR-4/339	153
WG09	1410015152982								CNU-575		GM, TACTICAL AGM-154C NAVY JSOW		170.5	31	31.75	2132	100	1	3181A53000	164
WG09	1410015339792								CNU-672		GM, TACTICAL AGM-154C NAVY JSOW		170.5	31	31.75	2488	97.1	1	4283068-1	174
WH57	1410015289851								CNU-683	2280133	GM, MINIATURE AIR LAUNCHED DECOY ADM-160		123.125	45.875	26.625	1185	87	2		182
WH61	1410015939661								CNU-710	8411078	GM, SURFACE ATTACK JSOW AGM-154C		171.625	30.75	31.5	2095	96.2	1		196
WH65	1410015499403	76	14.875	16		192	10.5	1	METAL	13155079	GM, SURFACE ATTACK METAL AUGMENTED CHARGE WARHEAD AGM-114N-5 HELLFIRE	WP	44.375	76	53	1812	103.4	9	5250	137
WJ03	1410015939677								CNU-710	8411078	GM, SURFACE ATTACK JSOW AGM-154C-1		171.625	30.75	31.5	2095	96.2	1		196
WJ20	1410001587390								CNU-447		GM, SURFACE ATTACK AGM-65E2 LASER MAVERICK		108.875	28.1875	29.5	1107	52.4	1	879475	126
WJ41	1410016062328								CNU-710	8411078	GM, SURFACE ATTACK JSOW AGM-154C-1		171.625	30.75	31.5	2095	96.2	1		196
WL03	1410016892703							1	CNU-614	79601200-002	GUIDED MISSILE, JOINT AIR-TO-SURFACE STANDOFF MISSILE (JASSM), AGM-158A W/ITIK AND FTS		180	39	37		150.3	1		166
WL04	1410016892708							1	CNU-614	79601200-002	GUIDED MISSILE, JOINT AIR-TO-SURFACE STANDOFF MISSILE (JASSM), AGM-158A-2 W/ITIK AND FTS		180	39	37		150.3	1		166
WL05	1410016892706							1	CNU-614	79601200-002	GUIDED MISSILE, JOINT AIR-TO-SURFACE STANDOFF MISSILE (JASSM), AGM-158A-3 W/ITIK AND FTS		180	39	37		150.3	1		166
YW51	1410012515777								MK607	DL26445309	MISSILE BODY, TACTICAL GM-84C-1A HARPOON		168	38	32.625	3389	120.5	2	OR-68/103	145
YW51	1410012515778								MK607	DL26445309	MISSILE BODY, TACTICAL GM-84C-1A HARPOON		168	38	32.625	3389	120.5	2	OR-68/103	145
YW51	1410012515803								MK607	DL26445309	MISSILE BODY, TACTICAL GM-84C-1 HARPOON		168	38	32.625	3389	120.5	2	OR-68/103	145
YW51	1410012515804								MK607	DL26445309	MISSILE BODY, TACTICAL GM-84C-1 HARPOON		168	38	32.625	3389	120.5	2	OR-68/103	145
YW52	1410011328126								MK607	DL26445309	MISSILE BODY, TACTICAL GM-84C-1 HARPOON		168	38	32.625	3389	120.5	2	OR-68/103	145
YW52	1410011328127								MK607	DL26445309	MISSILE BODY, TACTICAL GM-84C-1A HARPOON		168	38	32.625	3389	120.5	2	OR-68/103	145
YW52	1410012515776								MK607	DL26445309	MISSILE BODY, TACTICAL GM-84C-1A HARPOON		168	38	32.625	3389	120.5	2	OR-68/103	145
YW52	1410012515802								MK607	DL26445309	MISSILE BODY, TACTICAL GM-84C-1 HARPOON		168	38	32.625	3389	120.5	2	OR-68/103	145
YW53	1410012433841								MK607	DL26445309	MISSILE BODY, EXERCISE TM-84C-1 HARPOON		168	38	32.625	3389	120.5	2	OR-68/103	145
YW53	1410012433842								MK607	DL26445309	MISSILE BODY, EXERCISE TM-84C-1 HARPOON		168	38	32.625	3389	120.5	2	OR-68/103	145
YW53	1410012433844								MK607	DL26445309	MISSILE BODY, EXERCISE TM-84C-1B HARPOON		168	38	32.625	3389	120.5	2	OR-68/103	145
YW53	1410012433845								MK607	DL26445309	MISSILE BODY, EXERCISE TM-84C-1B HARPOON		168	38	32.625	3389	120.5	2	OR-68/103	145
YW55	1410012433840								MK607	DL26445309	MISSILE BODY, EXERCISE TM-84C-1 HARPOON		168	38	32.625	3389	120.5	2	OR-68/103	145
YW55	1410012433843								MK607	DL26445309	MISSILE BODY, EXERCISE TM-84C-1 HARPOON		168	38	32.625	3389	120.5	2	OR-68/103	145
YW55	1410012433846								MK607	DL26445309	MISSILE BODY, EXERCISE TM-84C-1B HARPOON		168	38	32.625	3389	120.5	2	OR-68/103	145
YW55	1410012446076								MK607	DL26445309	MISSILE BODY, EXERCISE TM-84C-1B HARPOON		168	38	32.625	3389	120.5	2	OR-68/103	145
YW64	1375010812758									X5206374	TORCH EXPLOSIVE MK2 MOD 0									1
ZW87	1420003932614								CNU-242		ARMAMENT SECTION, F2U-27/B TACTICAL FOR PHOENIX AI		168	38	30		110.8	2		194

Section 2 Introduction

Section 2 Data Information.

Section 2 contains a listing of all the drawings related to the items defined by a particular index number (the last column of Section 1). The entries are sorted in numeric ascending order by index number. Only approved, distributed drawings are listed in this section. AMC 19-48 series drawings, Navy WR and MS drawings, and Air Force TPO and SPI drawings are included in this section. This is in no way a complete listing of drawings; refer to AMC drawing 19-48-75-5, the “Index of U.S. Army Unitization, Storage and Outloading Drawings for Ammunition and Components” for additional drawings.

Many of the unitization, storage, and outloading drawings listed within this index are numbered “19-48-****-*****”, where 19-48 indicates the series of the drawing, the first set of asterisks indicate the drawing number, and the second set of asterisks indicate the file number. The file number can be further used to identify the type of drawing listed. See table 1 and table 2 at right for explanation of the numeric and alphabetic file number designators, respectively. Two letter codes at the beginning of the file number describe special types of drawings, for example, “CB” indicates chemical munitions drawings, and “SP” indicates special project drawings, such as Air Force items. For example:

Class	Division	Drawing	File
19	48	4115	5PA1002

Under “File” in the example above, the number “5” indicates a carloading drawing; the letter “P” identifies the commodity as being palletized or unitized, the letter “A” further identifies the commodity as being in boxes and the number “1002” identifies the specific drawing in a numerical sequence.

Drawings listed in **red text** indicate drawings new since the last CAPULDI publication.

Table 1. Numeric Designators

Designator	Magazine or Type of Loading
1	Igloo or Arch-Type Magazine
2	Standard Above-Ground Magazine
3	Box Type Magazine
4	Corbetta Magazine
5	Carloading (Rail)
6	Smokeless Powder Magazine
7	Smokeless Powder Magazine w/o center posts
8	HE (high explosives) Magazine
10	Warehouse
11	Truckloading
12	Storehouse, Liquid Propellant, Group II
13	Storehouse, Liquid Propellant, Group I
14	Stradley Magazine
15	Trailer or Container on Flatcar (TOFC or COFC)
16	Portable Container Filling
17	Tactical Vehicle
18	Shiplading
20	Overpack or Unitization
21	Outdoor Storage
22	Steel-Arch or Oval-Arch Magazine

Table 2. Numeric Designators

Designator	Package or Type of Munition
A	Boxed
B	Bomb
C	Crated
D	Bundled
E	Separate Loading Projectiles
F	Metal Drums
H	Portable Container
J	Metal Container with Skids
K	Plastic Container
M	Mixed or Metal Packages
N	Fiberboard Drums
P	Palletized or Unitized
Q	All Types of Packages/Ammunition

<u>INDEX NUMBER</u>	<u>DRAWING TYPE</u>	<u>DRAWING NUMBER</u>
1	6' Open Top ISO Container:	19-48-4187-15PA1007
	6' Open Top ISO - Mixed:	19-48-4190-15PM1006
	Basic Unitization Procedures:	19-48-4116-20PA1002
	Boxcar:	19-48-4115-5PA1002
	Boxcar - Loose:	19-48-1634-5A29
	CROP:	19-48-4906-CA17Q7
	Dromedary:	19-48-4252-11Q1000
	End Opening ISO Container:	19-48-4153-15PA1002
	End Opening ISO Container TyGard:	19-48-4372-15PA1015
	End Opening ISO - Mixed Loads:	19-48-4189-15PM1005
	European Boxcar:	19-48-4288-5PA1006
	Index of Appendices:	19-48-4116/0-20PA1002
	Korean Gondola:	19-48-4253-5PQ1000
	Korean Covered Flat:	19-48-4369-5PA1007
	MILVAN:	19-48-4166-15PA1003
	On-Depot Movement:	19-48-4306-5-11Q1000
	Side Opening ISO Container:	19-48-4267-15PA1009
	Storage:	19-48-4118-1-2-3-4-14-22PA1002
	Storage - Loose:	19-48-4005-1-2-3-4-14-22A1000
	Storage of Small Quantities/Lots:	19-48-4146-1-2-3-4-14-22Q1000
	Tactical Vehicle - PLS - Highway:	19-48-4903-CA17Q2
	Tactical Vehicle - Steel Strap:	19-48-4900-CA17Q1
	Tactical Vehicle - Unit Basic Load:	19-48-4901/5-CA17Q2
	Tactical Vehicle - Web Strap:	19-48-4901/4-CA17Q2
	TOFC, Van, Palla-Gard:	19-48-4182-15PA1006
	TOFC, Van Trailer, BHD:	19-48-4036-15PA1000
	TOFC, Van Trailer, BHD - Loose:	19-48-4037-15A1000
TOFC, Van Trailer, Mech:	19-48-4028-15P1	
TOFC, Van Trailer, Mech - Loose:	19-48-4048-11-15A1000	
Van Trailer:	19-48-4117-11PA1003	
Van Trailer - Loose:	19-48-4013-11A1001	

<u>INDEX NUMBER</u>	<u>DRAWING TYPE</u>	<u>DRAWING NUMBER</u>
2	6' Open Top ISO Container:	19-48-4187-15PA1007
	6' Open Top ISO - Mixed:	19-48-4190-15PM1006
	Basic Unitization Procedures:	19-48-4138-20PA1000
	Boxcar:	19-48-4123-5PA1003
	Boxcar - Loose:	19-48-1634-5A29
	CROP:	19-48-4906-CA17Q7
	Dromedary:	19-48-4252-11Q1000
	End Opening ISO Container:	19-48-4153-15PA1002
	End Opening ISO Container TyGard:	19-48-4372-15PA1015
	End Opening ISO - Mixed Loads:	19-48-4189-15PM1005
	European Boxcar:	19-48-4288-5PA1006
	Index of Appendices:	19-48-4138/0-20PA1000
	Korean Gondola:	19-48-4253-5PQ1000
	MILVAN:	19-48-4166-15PA1003
	On-Depot Movement:	19-48-4306-5-11Q1000
	Side Opening ISO Container:	19-48-4267-15PA1009
	Storage:	19-48-4125-1-2-3-4-14-22PA1003
	Storage - Loose:	19-48-4005-1-2-3-4-14-22A1000
	Storage of Small Quantities/Lots:	19-48-4146-1-2-3-4-14-22Q1000
	Tactical Vehicle - PLS - Highway:	19-48-4903-CA17Q2
	Tactical Vehicle - Steel Strap:	19-48-4900-CA17Q1
	Tactical Vehicle - Unit Basic Load:	19-48-4901/5-CA17Q2
	Tactical Vehicle - Web Strap:	19-48-4901/4-CA17Q2
	TOFC, Van, Palla-Gard:	19-48-4182-15PA1006
	TOFC, Van Trailer, BHD:	19-48-4036-15PA1000
	TOFC, Van Trailer, BHD - Loose:	19-48-4037-15A1000
	TOFC, Van Trailer, Mech:	19-48-4028-15P1
TOFC, Van Trailer, Mech - Loose:	19-48-4048-11-15A1000	
Van Trailer:	19-48-4124-11PA1004	
Van Trailer - Loose:	19-48-4013-11A1001	

<u>INDEX NUMBER</u>	<u>DRAWING TYPE</u>	<u>DRAWING NUMBER</u>
3	6' Open Top ISO Container:	19-48-4187-15PA1007
	6' Open Top ISO - Mixed:	19-48-4190-15PM1006
	Basic Unitization Procedures:	19-48-4015-20PA1004
	Boxcar:	19-48-4115-5PA1002
	Boxcar - Loose:	19-48-4009-5A1000
	CROP:	19-48-4906-CA17Q7
	Dromedary:	19-48-4252-11Q1000
	End Opening ISO Container:	19-48-4153-15PA1002
	End Opening ISO Container TyGard:	19-48-4372-15PA1015
	End Opening ISO - Mixed Loads:	19-48-4189-15PM1005
	European Boxcar:	19-48-4288-5PA1006
	Index of Appendices:	19-48-4015/0-20PA1004
	Korean Gondola:	19-48-4253-5PQ1000
	Korean Covered Flat:	19-48-4369-5PA1007
	MILVAN:	19-48-4166-15PA1003
	On-Depot Movement:	19-48-4306-5-11Q1000
	Side Opening ISO Container:	19-48-4267-15PA1009
	Storage:	19-48-4118-1-2-3-4-14-22PA1002
	Storage - Loose:	19-48-4005-1-2-3-4-14-22A1000
	Storage of Small Quantities/Lots:	19-48-4146-1-2-3-4-14-22Q1000
	Tactical Vehicle - PLS - Highway:	19-48-4903-CA17Q2
	Tactical Vehicle - Steel Strap:	19-48-4900-CA17Q1
	Tactical Vehicle - Unit Basic Load:	19-48-4901/5-CA17Q2
	Tactical Vehicle - Web Strap:	19-48-4901/4-CA17Q2
	TOFC, Van, Palla-Gard:	19-48-4182-15PA1006
	TOFC, Van Trailer, BHD:	19-48-4036-15PA1000
	TOFC, Van Trailer, BHD - Loose:	19-48-4035-15A1001
TOFC, Van Trailer, Mech:	19-48-4028-15P1	
TOFC, Van Trailer, Mech - Loose:	19-48-4048-11-15A1000	
Van Trailer:	19-48-4117-11PA1003	
Van Trailer - Loose:	19-48-4010-11A1000	

<u>INDEX NUMBER</u>	<u>DRAWING TYPE</u>	<u>DRAWING NUMBER</u>
4	6' Open Top ISO Container:	19-48-4187-15PA1007
	6' Open Top ISO - Mixed:	19-48-4190-15PM1006
	Basic Unitization Procedures:	19-48-4169-20PA1006
	Boxcar:	19-48-4115-5PA1002
	Boxcar - Loose:	19-48-1634-5A29
	CROP:	19-48-4906-CA17Q7
	Dromedary:	19-48-4252-11Q1000
	End Opening ISO Container:	19-48-4153-15PA1002
	End Opening ISO Container TyGard:	19-48-4372-15PA1015
	End Opening ISO - Mixed Loads:	19-48-4189-15PM1005
	European Boxcar:	19-48-4288-5PA1006
	Index of Appendices:	19-48-4169/0-20PA1006
	Korean Gondola:	19-48-4253-5PQ1000
	MILVAN:	19-48-4166-15PA1003
	On-Depot Movement:	19-48-4306-5-11Q1000
	Side Opening ISO Container:	19-48-4267-15PA1009
	Storage:	19-48-4118-1-2-3-4-14-22PA1002
	Storage - Loose:	19-48-4005-1-2-3-4-14-22A1000
	Storage of Small Quantities/Lots:	19-48-4146-1-2-3-4-14-22Q1000
	Tactical Vehicle - PLS - Highway:	19-48-4903-CA17Q2
	Tactical Vehicle - Steel Strap:	19-48-4900-CA17Q1
	Tactical Vehicle - Unit Basic Load:	19-48-4901/5-CA17Q2
	Tactical Vehicle - Web Strap:	19-48-4901/4-CA17Q2
	TOFC, Van, Palla-Gard:	19-48-4182-15PA1006
	TOFC, Van Trailer, BHD:	19-48-4036-15PA1000
	TOFC, Van Trailer, BHD - Loose:	19-48-4037-15A1000
	TOFC, Van Trailer, Mech:	19-48-4028-15P1
TOFC, Van Trailer, Mech - Loose:	19-48-4048-11-15A1000	
Van Trailer:	19-48-4117-11PA1003	
Van Trailer - Loose:	19-48-4013-11A1001	

<u>INDEX NUMBER</u>	<u>DRAWING TYPE</u>	<u>DRAWING NUMBER</u>
5	6' Open Top ISO Container:	19-48-4187-15PA1007
	6' Open Top ISO - Mixed:	19-48-4190-15PM1006
	Boxcar:	19-48-4115-5PA1002
	Boxcar - Loose:	19-48-1634-5A29
	CROP:	19-48-4906-CA17Q7
	Dromedary:	19-48-4252-11Q1000
	End Opening ISO Container TyGard:	19-48-4372-15PA1015
	End Opening ISO - Mixed Loads:	19-48-4189-15PM1005
	European Boxcar:	19-48-4288-5PA1006
	Korean Gondola:	19-48-4253-5PQ1000
	Korean Covered Flat:	19-48-4369-5PA1007
	On-Depot Movement:	19-48-4306-5-11Q1000
	Side Opening ISO Container:	19-48-4267-15PA1009
	Storage:	19-48-4118-1-2-3-4-14-22PA1002
	Storage - Loose:	19-48-4005-1-2-3-4-14-22A1000
	Storage of Small Quantities/Lots:	19-48-4146-1-2-3-4-14-22Q1000
	Tactical Vehicle - PLS Highway:	19-48-4903-CA17Q2
	Tactical Vehicle - Steel Strap:	19-48-4900-CA17Q1
	Tactical Vehicle - Unit Basic Load:	19-48-4901/5-CA17Q2
	Tactical Vehicle - Web Strap:	19-48-4901/4-CA17Q2
	TOFC, Van, Palla-Gard:	19-48-4182-15PA1006
	TOFC, Van Trailer, BHD:	19-48-4036-15PA1000
	TOFC, Van Trailer, BHD - Loose:	19-48-4037-15A1000
TOFC, Van Trailer, Mech:	19-48-4028-15P1	
TOFC, Van Trailer, Mech - Loose:	19-48-4048-11-15A1000	
Van Trailer:	19-48-4117-11PA1003	
Van Trailer - Loose:	19-48-4013-11A1001	

<u>INDEX NUMBER</u>	<u>DRAWING TYPE</u>	<u>DRAWING NUMBER</u>
6	6' Open Top ISO Container:	19-48-4187-15PA1007
	6' Open Top ISO - Mixed:	19-48-4190-15PM1006
	Basic Unitization Procedures:	19-48-4232-20PM1007
	Boxcar:	19-48-4246/21-5PM1005
	CROP:	19-48-4906-CA17Q7
	CROP (SCL):	19-48-4905/16A-CA17Q6
	Dromedary:	19-48-4252-11Q1000
	End Opening ISO Container:	19-48-4249/21-15PM1011
	End Opening ISO Container TyGard:	19-48-4249/21A-15PA1011
	End Opening ISO - Mixed Loads:	19-48-4189-15PM1005
	European Boxcar:	19-48-4288-5PA1006
	MILVAN:	19-48-4248/21-15PM1010
	On-Depot Movement:	19-48-4306-5-11Q1000
	Side Opening ISO Container:	19-48-4271/21-15PM1015
	Storage:	19-48-4251/21-1-2-3-4-14-22PM1005
	Storage of Small Quantities/Lots:	19-48-4146-1-2-3-4-14-22Q1000
	Tactical Vehicle - PLS - Highway:	19-48-4903-CA17Q2
	Tactical Vehicle - Steel Strap:	19-48-4900-CA17Q1
	Tactical Vehicle - Unit Basic Load:	19-48-4901/5-CA17Q2
	Tactical Vehicle - Web Strap:	19-48-4901/4-CA17Q2
	TOFC, Van Trailer, BHD - Loose:	19-48-4033-15M1000
	Van Trailer:	19-48-4247/21-11PM1005

<u>INDEX NUMBER</u>	<u>DRAWING TYPE</u>	<u>DRAWING NUMBER</u>
7	6' Open Top ISO - Mixed:	19-48-4190-15PM1006
	Arch (26'-6" W) Mag. - Loose:	19-48-4007/2-1M1000
	Arch (25' W X 12' H) Mag. - Loose:	19-48-4007/3-1M1000
	Arch (11' H) Type Mag. - Loose:	19-48-4007/4-1M1000
	Arch (10' H) Type Mag. - Loose:	19-48-4007/5-1M1000
	Basic Unitization Procedures:	19-48-4079-20PM1002
	Boxcar:	19-48-4212/1-5PM1003
	Boxcar - Loose:	19-48-4017-5M1002
	Corbetta Magazine - Loose:	19-48-4007/7-4M1000
	CROP:	19-48-4906-CA17Q7
	Dromedary:	19-48-4252-11Q1000
	End Opening ISO Container:	19-48-4215/1-15PM1013
	End Opening ISO - Mixed Loads:	19-48-4189-15PM1005
	European Boxcar:	19-48-4287-5PM1006
	Igloo Magazine - Loose:	19-48-4007/1-1M1000
	Index of Appendices:	19-48-4079/0-20PM1002
	MILVAN:	19-48-4214/1-15PM1006
	On-Depot Movement:	19-48-4306-5-11Q1000
	Rectangular Magazine - Loose:	19-48-4007/6-3M1000
	Side Opening ISO Container:	19-48-4265/1-15PM1014
	Storage:	19-48-4145/1-1-2-3-4-14-22PM1003
	Storage of Small Quantities/Lots:	19-48-4146-1-2-3-4-14-22Q1000
	Tactical Vehicle - PLS - Highway:	19-48-4903-CA17Q2
	Tactical Vehicle - Steel Strap:	19-48-4900-CA17Q1
	Tactical Vehicle - Unit Basic Load:	19-48-4901/5-CA17Q2
	Tactical Vehicle - Web Strap:	19-48-4901/3-CA17Q2
	TOFC, Van Trailer, BHD - Loose:	19-48-4033-15M1000
	TOFC, Van Trailer, Mech:	19-48-4100-15PM1000
	Van Trailer:	19-48-4213/1-11PM1003
	Van Trailer - Loose:	19-48-4021-11M1000

<u>INDEX NUMBER</u>	<u>DRAWING TYPE</u>	<u>DRAWING NUMBER</u>
8	6' Open Top ISO - Mixed:	19-48-4190-15PM1006
	Arch (26'-6" W) Mag. - Loose:	19-48-4007/2-1M1000
	Arch (25' W X 12' H) Mag. - Loose:	19-48-4007/3-1M1000
	Arch (11' H) Type Mag. - Loose:	19-48-4007/4-1M1000
	Arch (10' H) Type Mag. - Loose:	19-48-4007/5-1M1000
	Basic Unitization Procedures:	19-48-4079-20PM1002
	Boxcar:	19-48-4212/3-5PM1003
	Boxcar - Loose:	19-48-4017-5M1002
	Corbetta Magazine - Loose:	19-48-4007/7-4M1000
	CROP:	19-48-4906-CA17Q7
	Dromedary:	19-48-4252-11Q1000
	End Opening ISO Container:	19-48-4215/3-15PM1013
	End Opening ISO - Mixed Loads:	19-48-4189-15PM1005
	European Boxcar:	19-48-4287-5PM1006
	Igloo Magazine - Loose:	19-48-4007/1-1M1000
	Index of Appendices:	19-48-4079/0-20PM1002
	MILVAN:	19-48-4214/3-15PM1006
	On-Depot Movement:	19-48-4306-5-11Q1000
	Rectangular Magazine - Loose:	19-48-4007/6-3M1000
	Side Opening ISO Container:	19-48-4265/3-15PM1014
	Storage:	19-48-4145/3-1-2-3-4-14-22PM1003
	Storage of Small Quantities/Lots:	19-48-4146-1-2-3-4-14-22Q1000
	Tactical Vehicle - PLS Highway:	19-48-4903-CA17Q2
	Tactical Vehicle - Steel Strap:	19-48-4900-CA17Q1
	Tactical Vehicle - Unit Basic Load:	19-48-4901/5-CA17Q2
	Tactical Vehicle - Web Strap:	19-48-4901/3-CA17Q2
	TOFC, Van Trailer, BHD - Loose:	19-48-4033-15M1000
	TOFC, Van Trailer, Mech:	19-48-4100-15PM1000
	Van Trailer:	19-48-4213/3-11PM1003
	Van Trailer - Loose:	19-48-4021-11M1000

<u>INDEX NUMBER</u>	<u>DRAWING TYPE</u>	<u>DRAWING NUMBER</u>
9	6' Open Top ISO - Mixed:	19-48-4190-15PM1006
	Arch (26'-6" W) Mag. - Loose:	19-48-4007/2-1M1000
	Arch (25' W X 12' H) Mag. - Loose:	19-48-4007/3-1M1000
	Arch (11' H) Type Mag. - Loose:	19-48-4007/4-1M1000
	Arch (10' H) Type Mag. - Loose:	19-48-4007/5-1M1000
	Basic Unitization Procedures:	19-48-4079-20PM1002
	Boxcar:	19-48-4212/8A-5PM1003
	Boxcar - Loose:	19-48-4017-5M1002
	Corbetta Magazine - Loose:	19-48-4007/7-4M1000
	CROP:	19-48-4906-CA17Q7
	CROP (SCL):	19-48-4905/18-CA17Q6
	Dromedary:	19-48-4252-11Q1000
	End Opening ISO Container:	19-48-4215/8A-15PM1013
	End Opening ISO - Mixed Loads:	19-48-4189-15PM1005
	European Boxcar:	19-48-4287-5PM1006
	Igloo Magazine - Loose:	19-48-4007/1-1M1000
	Index of Appendices:	19-48-4079/0-20PM1002
	MILVAN:	19-48-4214/8A-15PM1006
	On-Depot Movement:	19-48-4306-5-11Q1000
	Rectangular Magazine - Loose:	19-48-4007/6-3M1000
	Side Opening ISO Container:	19-48-4265/8A-15PM1014
	Storage:	19-48-4145/8A-1-2-3-4-14-22PM1003
	Storage of Small Quantities/Lots:	19-48-4146-1-2-3-4-14-22Q1000
	Tactical Vehicle - PLS Highway:	19-48-4903-CA17Q2
	Tactical Vehicle - Steel Strap:	19-48-4900-CA17Q1
	Tactical Vehicle - Unit Basic Load:	19-48-4901/5-CA17Q2
	Tactical Vehicle - Web Strap:	19-48-4901/3-CA17Q2
	TOFC, Van Trailer, BHD - Loose:	19-48-4033-15M1000
	TOFC, Van Trailer, Mech:	19-48-4100-15PM1000
	Van Trailer:	19-48-4213/8A-11PM1003
	Van Trailer - Loose:	19-48-4021-11M1000

<u>INDEX NUMBER</u>	<u>DRAWING TYPE</u>	<u>DRAWING NUMBER</u>
10	6' Open Top ISO - Mixed:	19-48-4190-15PM1006
	Arch (26'-6" W) Mag. - Loose:	19-48-4007/2-1M1000
	Arch (25' W X 12' H) Mag. - Loose:	19-48-4007/3-1M1000
	Arch (11' H) Type Mag. - Loose:	19-48-4007/4-1M1000
	Arch (10' H) Type Mag. - Loose:	19-48-4007/5-1M1000
	Basic Unitization Procedures:	19-48-4231-20PM1006
	Boxcar:	19-48-4242/48-5PM1004
	Boxcar - Loose:	19-48-4017-5M1002
	Corbetta Magazine - Loose:	19-48-4007/7-4M1000
	CROP:	19-48-4906/25-CA17Q7
	CROP (SCL):	19-48-4905/2-CA17Q6
	CROP (SCL):	19-48-4905/18-CA17Q6
	CROP (SCL):	19-48-4905/19-CA17Q6
	Dromedary:	19-48-4252-11Q1000
	End Opening ISO Container:	19-48-4245/48-15PM1009
	End Opening ISO - Mixed Loads:	19-48-4189-15PM1005
	European Boxcar:	19-48-4287-5PA1006
	Igloo Magazine - Loose:	19-48-4007/1-1M1000
	Index of Appendices:	19-48-4231/0-20PM1006
	MILVAN:	19-48-4244/48-15PM1008
	On-Depot Movement:	19-48-4306-5-11Q1000
	Rectangular Magazine - Loose:	19-48-4007/6-3M1000
	Side Opening ISO Container:	19-48-4272/48-15PM1016
	Storage:	19-48-4250/48-1-2-3-4-14-22PM1004
	Storage of Small Quantities/Lots:	19-48-4146-1-2-3-4-14-22Q1000
	Tactical Vehicle - PLS - Highway:	19-48-4903-CA17Q2
	Tactical Vehicle - Steel Strap:	19-48-4900-CA17Q1
	Tactical Vehicle - Unit Basic Load:	19-48-4901/5-CA17Q2
	Tactical Vehicle - Web Strap:	19-48-4901/3-CA17Q2
	TOFC, Van Trailer, BHD - Loose:	19-48-4033-15M1000
	TOFC, Van Trailer, Mech:	19-48-4100-15PM1000
	Van Trailer:	19-48-4243/48-11PM1004
	Van Trailer - Loose:	19-48-4021-11M1000

<u>INDEX NUMBER</u>	<u>DRAWING TYPE</u>	<u>DRAWING NUMBER</u>
11	6' Open Top ISO - Mixed:	19-48-4190-15PM1006
	Arch (26'-6" W) Mag. - Loose:	19-48-4007/2-1M1000
	Arch (25' W X 12' H) Mag. - Loose:	19-48-4007/3-1M1000
	Arch (11' H) Type Mag. - Loose:	19-48-4007/4-1M1000
	Arch (10' H) Type Mag. - Loose:	19-48-4007/5-1M1000
	Basic Unitization Procedures:	19-48-4079-20PM1002
	Boxcar:	19-48-4212/8-5PM1003
	Boxcar - Loose:	19-48-4017-5M1002
	Corbetta Magazine - Loose:	19-48-4007/7-4M1000
	CROP:	19-48-4906/25-CA17Q7
	Dromedary:	19-48-4252-11Q1000
	End Opening ISO Container:	19-48-4215/8-15PM1013
	End Opening ISO - Mixed Loads:	19-48-4189-15PM1005
	European Boxcar:	19-48-4287-5PM1006
	Igloo Magazine - Loose:	19-48-4007/1-1M1000
	Index of Appendices:	19-48-4079/0-20PM1002
	MILVAN:	19-48-4214/8-15PM1006
	On-Depot Movement:	19-48-4306-5-11Q1000
	Rectangular Magazine - Loose:	19-48-4007/6-3M1000
	Side Opening ISO Container:	19-48-4265/8-15PM1014
	Storage:	19-48-4145/8-1-2-3-4-14-22PM1003
	Storage of Small Quantities/Lots:	19-48-4146-1-2-3-4-14-22Q1000
	Tactical Vehicle - PLS - Highway:	19-48-4903-CA17Q2
	Tactical Vehicle - Steel Strap:	19-48-4900-CA17Q1
	Tactical Vehicle - Unit Basic Load:	19-48-4901/5-CA17Q2
	Tactical Vehicle - Web Strap:	19-48-4901/3-CA17Q2
	TOFC, Van Trailer, BHD - Loose:	19-48-4033-15M1000
	TOFC, Van Trailer, Mech:	19-48-4100-15PM1000
	Van Trailer:	19-48-4213/8-11PM1003
	Van Trailer - Loose:	19-48-4021-11M1000

<u>INDEX NUMBER</u>	<u>DRAWING TYPE</u>	<u>DRAWING NUMBER</u>
12	COAI: ACV00681	
	6' Open Top ISO - Mixed:	19-48-4190-15PM1006
	Arch (26'-6" W) Mag. - Loose:	19-48-4007/2-1M1000
	Arch (25' W X 12' H) Mag. - Loose:	19-48-4007/3-1M1000
	Arch (11' H) Type Mag. - Loose:	19-48-4007/4-1M1000
	Arch (10' H) Type Mag. - Loose:	19-48-4007/5-1M1000
	Basic Unitization Procedures:	19-48-4231-20PM1006
	Boxcar - Loose:	19-48-4017-5M1002
	Corbetta Magazine - Loose:	19-48-4007/7-4M1000
	CROP:	19-48-4906-CA17Q7
	CROP (SCL):	19-48-4905/52-CA17Q6
	Dromedary:	19-48-4252-11Q1000
	End Opening ISO Container:	19-48-4245/55-15PM1009
	End Opening ISO - Mixed Loads:	19-48-4189-15PM1005
	European Boxcar:	19-48-4287-5PM1006
	Field Returns Unit:	DET 0801
	Igloo Magazine - Loose:	19-48-4007/1-1M1000
	Index of Appendices:	19-48-4231/0-20PM1006
	MILVAN:	19-48-4244/55-15PM1008
	On-Depot Movement:	19-48-4306-5-11Q1000
	Rectangular Magazine - Loose:	19-48-4007/6-3M1000
	Side Opening ISO Container:	19-48-4272/55-15PM1016
	Storage: 19-48-4250/55-1-3-4-14-22PM1004	
	Storage of Small Quantities/Lots:	19-48-4146-1-2-3-4-14-22Q1000
	Tactical Vehicle - PLS - Highway:	19-48-4903-CA17Q2
	Tactical Vehicle - Steel Strap:	19-48-4900-CA17Q1
	Tactical Vehicle - Unit Basic Load:	19-48-4901/5-CA17Q2
	Tactical Vehicle - Web Strap:	19-48-4901/3-CA17Q2
	TOFC, Van Trailer, BHD - Loose:	19-48-4033-15M1000
	TOFC, Van Trailer, Mech:	19-48-4100-15PM1000
	Van Trailer:	19-48-4243/55-11PM1004
	Van Trailer - Loose:	19-48-4021-11M1000

<u>INDEX NUMBER</u>	<u>DRAWING TYPE</u>	<u>DRAWING NUMBER</u>
13	6' Open Top ISO - Mixed:	19-48-4190-15PM1006
	Arch (26'-6" W) Mag. - Loose:	19-48-4007/2-1M1000
	Arch (25' W X 12' H) Mag. - Loose:	19-48-4007/3-1M1000
	Arch (11' H) Type Mag. - Loose:	19-48-4007/4-1M1000
	Arch (10' H) Type Mag. - Loose:	19-48-4007/5-1M1000
	Basic Unitization Procedures:	19-48-4079-20PM1002
	Boxcar:	19-48-4212/4-5PM1003
	Boxcar - Loose:	19-48-4017-5M1002
	Corbetta Magazine - Loose:	19-48-4007/7-4M1000
	CROP:	19-48-4906-CA17Q7
	Dromedary:	19-48-4252-11Q1000
	End Opening ISO Container:	19-48-4215/4-15PM1013
	End Opening ISO - Mixed Loads:	19-48-4189-15PM1005
	European Boxcar:	19-48-4287-5PM1006
	Igloo Magazine - Loose:	19-48-4007/1-1M1000
	Index of Appendices:	19-48-4079/0-20PM1002
	MILVAN:	19-48-4214/4-15PM1006
	On-Depot Movement:	19-48-4306-5-11Q1000
	Rectangular Magazine - Loose:	19-48-4007/6-3M1000
	Side Opening ISO Container:	19-48-4265/4-15PM1014
	Storage:	19-48-4145/4-1-2-3-4-14-22PM1003
	Storage of Small Quantities/Lots:	19-48-4146-1-2-3-4-14-22Q1000
	Tactical Vehicle - PLS - Highway:	19-48-4903-CA17Q2
	Tactical Vehicle - Steel Strap:	19-48-4900-CA17Q1
	Tactical Vehicle - Unit Basic Load:	19-48-4901/5-CA17Q2
	Tactical Vehicle - Web Strap:	19-48-4901/3-CA17Q2
	TOFC, Van Trailer, BHD - Loose:	19-48-4033-15M1000
	TOFC, Van Trailer, Mech:	19-48-4100-15PM1000
	Van Trailer:	19-48-4213/4-11PM1003
	Van Trailer - Loose:	19-48-4021-11M1000

<u>INDEX NUMBER</u>	<u>DRAWING TYPE</u>	<u>DRAWING NUMBER</u>
14	6' Open Top ISO - Mixed:	19-48-4190-15PM1006
	Arch (26'-6" W) Mag. - Loose:	19-48-4007/2-1M1000
	Arch (25' W X 12' H) Mag. - Loose:	19-48-4007/3-1M1000
	Arch (11' H) Type Mag. - Loose:	19-48-4007/4-1M1000
	Arch (10' H) Type Mag. - Loose:	19-48-4007/5-1M1000
	Basic Unitization Procedures:	19-48-4231-20PM1006
	Boxcar:	19-48-4242/45-5PM1004
	Boxcar - Loose:	19-48-4017-5M1002
	COAI:	ACV00134
	Corbetta Magazine - Loose:	19-48-4007/7-4M1000
	CROP:	19-48-4906-CA17Q7
	CROP (SCL - LHS):	19-48-4905/48A-CA17Q6
	CROP (SCL - PLS):	19-48-4905/48-CA17Q6
	Dromedary:	19-48-4252-11Q1000
	End Opening ISO Container:	19-48-4245/45-15PM1009
	End Opening ISO - Mixed Loads:	19-48-4189-15PM1005
	European Boxcar:	19-48-4287-5PM1006
	Igloo Magazine - Loose:	19-48-4007/1-1M1000
	Index of Appendices:	19-48-4231/0-20PM1006
	MILVAN:	19-48-4244/45-15PM1008
	On-Depot Movement:	19-48-4306-5-11Q1000
	Rectangular Magazine - Loose:	19-48-4007/6-3M1000
	Side Opening ISO Container:	19-48-4272/45-15PM1016
	Storage:	19-48-4250/45-1-2-3-4-14-22PM1004
	Storage of Small Quantities/Lots:	19-48-4146-1-2-3-4-14-22Q1000
	Tactical Vehicle - PLS - Highway:	19-48-4903-CA17Q2
	Tactical Vehicle - Steel Strap:	19-48-4900-CA17Q1
	Tactical Vehicle - Unit Basic Load:	19-48-4901/5-CA17Q2
	Tactical Vehicle - Web Strap:	19-48-4901/3-CA17Q2
	TOFC, Van Trailer, BHD - Loose:	19-48-4033-15M1000
	TOFC, Van Trailer, Mech:	19-48-4100-15PM1000
Van Trailer:	19-48-4243/45-11PM1004	
Van Trailer - Loose:	19-48-4021-11M1000	

<u>INDEX NUMBER</u>	<u>DRAWING TYPE</u>	<u>DRAWING NUMBER</u>
15	6' Open Top ISO - Mixed:	19-48-4190-15PM1006
	Arch (26'-6" W) Mag. - Loose:	19-48-4007/2-1M1000
	Arch (25' W X 12' H) Mag. - Loose:	19-48-4007/3-1M1000
	Arch (11' H) Type Mag. - Loose:	19-48-4007/4-1M1000
	Arch (10' H) Type Mag. - Loose:	19-48-4007/5-1M1000
	Basic Unitization Procedures:	19-48-4079-20PM1002
	Boxcar:	19-48-4212/7-5PM1003
	Boxcar - Loose:	19-48-4017-5M1002
	Corbetta Magazine - Loose:	19-48-4007/7-4M1000
	CROP:	19-48-4906-CA17Q7
	Dromedary:	19-48-4252-11Q1000
	End Opening ISO Container:	19-48-4215/7-15PM1013
	End Opening ISO - Mixed Loads:	19-48-4189-15PM1005
	European Boxcar:	19-48-4287-5PM1006
	Igloo Magazine - Loose:	19-48-4007/1-1M1000
	Index of Appendices:	19-48-4079/0-20PM1002
	MILVAN:	19-48-4214/7-15PM1006
	On-Depot Movement:	19-48-4306-5-11Q1000
	Rectangular Magazine - Loose:	19-48-4007/6-3M1000
	Side Opening ISO Container:	19-48-4265/7-15PM1014
	Storage:	19-48-4145/7-1-2-3-4-14-22PM1003
	Storage of Small Quantities/Lots:	19-48-4146-1-2-3-4-14-22Q1000
	Tactical Vehicle - PLS - Highway:	19-48-4903-CA17Q2
	Tactical Vehicle - Steel Strap:	19-48-4900-CA17Q1
	Tactical Vehicle - Unit Basic Load:	19-48-4901/5-CA17Q2
	Tactical Vehicle - Web Strap:	19-48-4901/3-CA17Q2
	TOFC, Van Trailer, BHD - Loose:	19-48-4033-15M1000
	TOFC, Van Trailer, Mech:	19-48-4100-15PM1000
	Van Trailer:	19-48-4213/7-11PM1003
	Van Trailer - Loose:	19-48-4021-11M1000

<u>INDEX NUMBER</u>	<u>DRAWING TYPE</u>	<u>DRAWING NUMBER</u>
16	6' Open Top ISO - Mixed:	19-48-4190-15PM1006
	Arch (26'-6" W) Mag. - Loose:	19-48-4007/2-1M1000
	Arch (25' W X 12' H) Mag. - Loose:	19-48-4007/3-1M1000
	Arch (11' H) Type Mag. - Loose:	19-48-4007/4-1M1000
	Arch (10' H) Type Mag. - Loose:	19-48-4007/5-1M1000
	Basic Unitization Procedures:	19-48-4079-20PM1002
	Boxcar:	19-48-4212/7A-5PM1003
	Boxcar - Loose:	19-48-4017-5M1002
	Corbetta Magazine - Loose:	19-48-4007/7-4M1000
	CROP:	19-48-4906-CA17Q7
	Dromedary:	19-48-4252-11Q1000
	End Opening ISO Container:	19-48-4215/7A-15PM1013
	End Opening ISO - Mixed Loads:	19-48-4189-15PM1005
	European Boxcar:	19-48-4287-5PM1006
	Igloo Magazine - Loose:	19-48-4007/1-1M1000
	Index of Appendices:	19-48-4079/0-20PM1002
	MILVAN:	19-48-4214/7A-15PM1006
	On-Depot Movement:	19-48-4306-5-11Q1000
	Rectangular Magazine - Loose:	19-48-4007/6-3M1000
	Side Opening ISO Container:	19-48-4265/7A-15PM1014
	Storage:	19-48-4145/8-1-2-3-4-14-22PM1003
	Storage of Small Quantities/Lots:	19-48-4146-1-2-3-4-14-22Q1000
	Tactical Vehicle - PLS - Highway:	19-48-4903-CA17Q2
	Tactical Vehicle - Steel Strap:	19-48-4900-CA17Q1
	Tactical Vehicle - Unit Basic Load:	19-48-4901/5-CA17Q2
	Tactical Vehicle - Web Strap:	19-48-4901/3-CA17Q2
	TOFC, Van Trailer, BHD - Loose:	19-48-4033-15M1000
	TOFC, Van Trailer, Mech:	19-48-4100-15PM1000
	Van Trailer:	19-48-4213/7A-11PM1003
	Van Trailer - Loose:	19-48-4021-11M1000

<u>INDEX NUMBER</u>	<u>DRAWING TYPE</u>	<u>DRAWING NUMBER</u>
17	6' Open Top ISO - Mixed:	19-48-4190-15PM1006
	Boxcar:	19-48-4162-5PA1004
	CROP:	19-48-4906-CA17Q7
	Dromedary:	19-48-4252-11Q1000
	End Opening ISO Container:	19-48-4153-15PA1002
	End Opening ISO - Mixed Loads:	19-48-4189-15PM1005
	MILVAN:	19-48-4171-15PA1004
	On-Depot Movement:	19-48-4306-5-11Q1000
	Side Opening ISO Container:	19-48-4267-15PA1009
	Storage:	19-48-4118-1-2-3-4-14-22PA1002
	Storage of Small Quantities/Lots:	19-48-4146-1-2-3-4-14-22Q1000
	Tactical Vehicle - PLS - Highway:	19-48-4903-CA17Q2
	Tactical Vehicle - Steel Strap:	19-48-4900-CA17Q1
	Tactical Vehicle - Unit Basic Load:	19-48-4901/5-CA17Q2
	Tactical Vehicle - Web Strap:	19-48-4901/4-CA17Q2
	Van Trailer:	19-48-4198-11PA1008

<u>INDEX NUMBER</u>	<u>DRAWING TYPE</u>	<u>DRAWING NUMBER</u>
18	6' Open Top ISO - Mixed:	19-48-4190-15PM1006
	Arch (26'-6" W) Mag. - Loose:	19-48-4007/2-1M1000
	Arch (25' W X 12' H) Mag. - Loose:	19-48-4007/3-1M1000
	Arch (11' H) Type Mag. - Loose:	19-48-4007/4-1M1000
	Arch (10' H) Type Mag. - Loose:	19-48-4007/5-1M1000
	Basic Unitization Procedures:	19-48-4079-20PM1002
	Boxcar:	19-48-4212/6-5PM1003
	Boxcar - Loose:	19-48-4017-5M1002
	Corbetta Magazine - Loose:	19-48-4007/7-4M1000
	CROP:	19-48-4906-CA17Q7
	Dromedary:	19-48-4252-11Q1000
	End Opening ISO Container:	19-48-4215/6-15PM1013
	End Opening ISO - Mixed Loads:	19-48-4189-15PM1005
	European Boxcar:	19-48-4287-5PM1006
	Igloo Magazine - Loose:	19-48-4007/1-1M1000
	Index of Appendices:	19-48-4079/0-20PM1002
	MILVAN:	19-48-4214/6-15PM1006
	On-Depot Movement:	19-48-4306-5-11Q1000
	Rectangular Magazine - Loose:	19-48-4007/6-3M1000
	Side Opening ISO Container:	19-48-4265/6-15PM1014
	Storage:	19-48-4145/6-1-2-3-4-14-22PM1003
	Storage of Small Quantities/Lots:	19-48-4146-1-2-3-4-14-22Q1000
	Tactical Vehicle - PLS - Highway:	19-48-4903-CA17Q2
	Tactical Vehicle - Steel Strap:	19-48-4900-CA17Q1
	Tactical Vehicle - Unit Basic Load:	19-48-4901/5-CA17Q2
	Tactical Vehicle - Web Strap:	19-48-4901/4-CA17Q2
	TOFC, Van Trailer, BHD - Loose:	19-48-4033-15M1000
	TOFC, Van Trailer, Mech:	19-48-4100-15PM1000
	Van Trailer:	19-48-4213/6-11PM1003
	Van Trailer - Loose:	19-48-4021-11M1000

<u>INDEX NUMBER</u>	<u>DRAWING TYPE</u>	<u>DRAWING NUMBER</u>
19	6' Open Top ISO - Mixed:	19-48-4190-15PM1006
	Arch (26'-6" W) Mag. - Loose:	19-48-4007/2-1M1000
	Arch (25' W X 12' H) Mag. - Loose:	19-48-4007/3-1M1000
	Arch (11' H) Type Mag. - Loose:	19-48-4007/4-1M1000
	Arch (10' H) Type Mag. - Loose:	19-48-4007/5-1M1000
	Basic Unitization Procedures:	19-48-4079-20PM1002
	Boxcar:	19-48-4212/9-5PM1003
	Boxcar - Loose:	19-48-4017-5M1002
	Corbetta Magazine - Loose:	19-48-4007/7-4M1000
	CROP:	19-48-4906-CA17Q7
	Dromedary:	19-48-4252-11Q1000
	End Opening ISO Container:	19-48-4215/9-15PM1013
	End Opening ISO - Mixed Loads:	19-48-4189-15PM1005
	European Boxcar:	19-48-4287-5PM1006
	Igloo Magazine - Loose:	19-48-4007/1-1M1000
	Index of Appendices:	19-48-4079/0-20PM1002
	MILVAN:	19-48-4214/9-15PM1006
	On-Depot Movement:	19-48-4306-5-11Q1000
	Rectangular Magazine - Loose:	19-48-4007/6-3M1000
	Side Opening ISO Container:	19-48-4265/9-15PM1014
	Storage:	19-48-4145/11-1-2-3-4-14-22PM1003
	Storage of Small Quantities/Lots:	19-48-4146-1-2-3-4-14-22Q1000
	Tactical Vehicle - PLS - Highway:	19-48-4903-CA17Q2
	Tactical Vehicle - Steel Strap:	19-48-4900-CA17Q1
	Tactical Vehicle - Unit Basic Load:	19-48-4901/5-CA17Q2
	Tactical Vehicle - Web Strap:	19-48-4901/3-CA17Q2
	TOFC, Van Trailer, BHD - Loose:	19-48-4033-15M1000
	TOFC, Van Trailer, Mech:	19-48-4100-15PM1000
	Van Trailer:	19-48-4213/9-11PM1003
	Van Trailer - Loose:	19-48-4021-11M1000

<u>INDEX NUMBER</u>	<u>DRAWING TYPE</u>	<u>DRAWING NUMBER</u>
20	6' Open Top ISO - Mixed:	19-48-4190-15PM1006
	Arch (26'-6" W) Mag. - Loose:	19-48-4007/2-1M1000
	Arch (25' W X 12' H) Mag. - Loose:	19-48-4007/3-1M1000
	Arch (11' H) Type Mag. - Loose:	19-48-4007/4-1M1000
	Arch (10' H) Type Mag. - Loose:	19-48-4007/5-1M1000
	Basic Unitization Procedures:	19-48-4079-20PM1002
	Boxcar:	19-48-4212/9A-5PM1003
	Boxcar - Loose:	19-48-4017-5M1002
	Corbetta Magazine - Loose:	19-48-4007/7-4M1000
	CROP:	19-48-4906-CA17Q7
	Dromedary:	19-48-4252-11Q1000
	End Opening ISO Container:	19-48-4215/9A-15PM1013
	End Opening ISO - Mixed Loads:	19-48-4189-15PM1005
	European Boxcar:	19-48-4287-5PM1006
	Igloo Magazine - Loose:	19-48-4007/1-1M1000
	Index of Appendices:	19-48-4079/0-20PM1002
	MILVAN:	19-48-4214/9A-15PM1006
	On-Depot Movement:	19-48-4306-5-11Q1000
	Rectangular Magazine - Loose:	19-48-4007/6-3M1000
	Side Opening ISO Container:	19-48-4265/9A-15PM1014
	Storage:	19-48-4145/11A-1-2-3-4-14-22PM1003
	Storage of Small Quantities/Lots:	19-48-4146-1-2-3-4-14-22Q1000
	Tactical Vehicle - PLS - Highway:	19-48-4903-CA17Q2
	Tactical Vehicle - Steel Strap:	19-48-4900-CA17Q1
	Tactical Vehicle - Unit Basic Load:	19-48-4901/5-CA17Q2
	Tactical Vehicle - Web Strap:	19-48-4901/3-CA17Q2
	TOFC, Van Trailer, BHD - Loose:	19-48-4033-15M1000
	TOFC, Van Trailer, Mech:	19-48-4100-15PM1000
	Van Trailer:	19-48-4213/9A-11PM1003
	Van Trailer - Loose:	19-48-4021-11M1000

<u>INDEX NUMBER</u>	<u>DRAWING TYPE</u>	<u>DRAWING NUMBER</u>
21	6' Open Top ISO - Mixed:	19-48-4190-15PM1006
	Arch (26'-6" W) Mag. - Loose:	19-48-4007/2-1M1000
	Arch (25' W X 12' H) Mag. - Loose:	19-48-4007/3-1M1000
	Arch (11' H) Type Mag. - Loose:	19-48-4007/4-1M1000
	Arch (10' H) Type Mag. - Loose:	19-48-4007/5-1M1000
	Basic Unitization Procedures:	19-48-4079-20PM1002
	Boxcar:	19-48-4212/8B-5PM1003
	Boxcar - Loose:	19-48-4017-5M1002
	Corbetta Magazine - Loose:	19-48-4007/7-4M1000
	CROP:	19-48-4906/25-CA17Q7
	Dromedary:	19-48-4252-11Q1000
	End Opening ISO Container:	19-48-4215/8B-15PM1013
	End Opening ISO - Mixed Loads:	19-48-4189-15PM1005
	European Boxcar:	19-48-4287-5PM1006
	Igloo Magazine - Loose:	19-48-4007/1-1M1000
	Index of Appendices:	19-48-4079/0-20PM1002
	MILVAN:	19-48-4214/8B-15PM1006
	On-Depot Movement:	19-48-4306-5-11Q1000
	Rectangular Magazine - Loose:	19-48-4007/6-3M1000
	Side Opening ISO Container:	19-48-4265/8B-15PM1014
	Storage:	19-48-4145/8B-1-2-3-4-14-22PM1003
	Storage of Small Quantities/Lots:	19-48-4146-1-2-3-4-14-22Q1000
	Tactical Vehicle - PLS - Highway:	19-48-4903-CA17Q2
	Tactical Vehicle - Steel Strap:	19-48-4900-CA17Q1
	Tactical Vehicle - Unit Basic Load:	19-48-4901/5-CA17Q2
	Tactical Vehicle - Web Strap:	19-48-4901/3-CA17Q2
	TOFC, Van Trailer, BHD - Loose:	19-48-4033-15M1000
	TOFC, Van Trailer, Mech:	19-48-4100-15PM1000
	Van Trailer:	19-48-4213/8B-11PM1003
	Van Trailer - Loose:	19-48-4021-11M1000

<u>INDEX NUMBER</u>	<u>DRAWING TYPE</u>	<u>DRAWING NUMBER</u>
22	6' Open Top ISO Container:	19-48-4187-15PA1007
	6' Open Top ISO - Mixed:	19-48-4190-15PM1006
	Boxcar:	19-48-4115-5PA1002
	Boxcar - Loose:	19-48-1634-5A29
	CROP:	19-48-4906-CA17Q7
	Dromedary:	19-48-4252-11Q1000
	End Opening ISO Container:	19-48-4153-15PA1002
	End Opening ISO - Mixed Loads:	19-48-4189-15PM1005
	European Boxcar:	19-48-4288-5PA1006
	Korean Gondola:	19-48-4253-5PQ1000
	MILVAN:	19-48-4166-15PA1003
	On-Depot Movement:	19-48-4306-5-11Q1000
	Side Opening ISO Container:	19-48-4267-15PA1009
	Storage:	19-48-4527-CB1-3-4-14-22PA1
	Storage of Small Quantities/Lots:	19-48-4146-1-2-3-4-14-22Q1000
	Tactical Vehicle - PLS - Highway:	19-48-4903-CA17Q2
	Tactical Vehicle - Steel Strap:	19-48-4900-CA17Q1
	Tactical Vehicle - Unit Basic Load:	19-48-4901/5-CA17Q2
	Tactical Vehicle - Web Strap:	19-48-4901/4-CA17Q2
	TOFC, Van, Palla-Gard:	19-48-4182-15PA1006
	TOFC, Van Trailer, BHD:	19-48-4036-15PA1000
	TOFC, Van Trailer, BHD - Loose:	19-48-4037-15A1000
	TOFC, Van Trailer, Mech:	19-48-4028-15P1
	TOFC, Van Trailer, Mech - Loose:	19-48-4048-11-15A1000
	Van Trailer:	19-48-4117-11PA1003
	Van Trailer - Loose:	19-48-4013-11A1001

<u>INDEX NUMBER</u>	<u>DRAWING TYPE</u>	<u>DRAWING NUMBER</u>
23	6' Open Top ISO Container:	19-48-4187-15PA1007
	6' Open Top ISO - Mixed:	19-48-4190-15PM1006
	Boxcar:	19-48-4115-5PA1002
	Boxcar - Loose:	19-48-1634-5A29
	CROP:	19-48-4906-CA17Q7
	Dromedary:	19-48-4252-11Q1000
	End Opening ISO Container:	19-48-4153-15PA1002
	End Opening ISO - Mixed Loads:	19-48-4189-15PM1005
	European Boxcar:	19-48-4288-5PA1006
	Korean Gondola:	19-48-4253-5PQ1000
	MILVAN:	19-48-4166-15PA1003
	On-Depot Movement:	19-48-4306-5-11Q1000
	Side Opening ISO Container:	19-48-4267-15PA1009
	Storage:	19-48-4528-CB1-3-4-14-22PA2
	Storage of Small Quantities/Lots:	19-48-4146-1-2-3-4-14-22Q1000
	Tactical Vehicle - PLS - Highway:	19-48-4903-CA17Q2
	Tactical Vehicle - Steel Strap:	19-48-4900-CA17Q1
	Tactical Vehicle - Unit Basic Load:	19-48-4901/5-CA17Q2
	Tactical Vehicle - Web Strap:	19-48-4901/4-CA17Q2
	TOFC, Van, Palla-Gard:	19-48-4182-15PA1006
	TOFC, Van Trailer, BHD:	19-48-4036-15PA1000
	TOFC, Van Trailer, BHD - Loose:	19-48-4037-15A1000
	TOFC, Van Trailer, Mech:	19-48-4028-15P1
TOFC, Van Trailer, Mech - Loose:	19-48-4048-11-15A1000	
Van Trailer:	19-48-4117-11PA1003	
Van Trailer - Loose:	19-48-4013-11A1001	

<u>INDEX NUMBER</u>	<u>DRAWING TYPE</u>	<u>DRAWING NUMBER</u>
24	Boxcar:	MS-1325/13
	MILVAN:	MS-1386/25
	On-Depot Movement:	19-48-4306-5-11Q1000
	Storage:	19-48-4102/14-1-3-4-14-22PE1001
	Storage of Small Quantities/Lots:	19-48-4146-1-2-3-4-14-22Q1000
	Van Trailer:	MS-1320/151

<u>INDEX NUMBER</u>	<u>DRAWING TYPE</u>	<u>DRAWING NUMBER</u>
25	Arch Type (26'-6" W) Magazine:	19-48-4144/2-1PM1000
	Arch (26'-6" W) Mag. - Loose:	19-48-4007/2-1M1000
	Arch (25' W X 12'-1-3/4" H) Mag.:	19-48-4144/5-1PM1000
	Arch (25' W X 12' H) Mag. - Loose:	19-48-4007/3-1M1000
	Arch Type (11' H) Magazine:	19-48-4144/4-1PM1000
	Arch (11' H) Type Mag. - Loose:	19-48-4007/4-1M1000
	Arch Type (10' H) Magazine:	19-48-4144/3-1PM1000
	Arch (10' H) Type Mag. - Loose:	19-48-4007/5-1M1000
	Boxcar:	WR-52/118
	Boxcar - Loose:	19-48-4017-5M1002
	Corbetta Magazine:	19-48-4144/9-4PM1000
	Corbetta Magazine - Loose:	19-48-4007/7-4M1000
	Dromedary:	19-48-4252-11Q1000
	Igloo Magazine:	19-48-4144/1-1PM1000
	Igloo Magazine - Loose:	19-48-4007/1-1M1000
	On-Depot Movement:	19-48-4306-5-11Q1000
	Rectangular Magazine:	19-48-4144/8-3PM1000
	Rectangular Magazine - Loose:	19-48-4007/6-3M1000
	Standard Magazine:	19-48-4144/7-2PM 1000
	Storage of Small Quantities/Lots:	19-48-4146-1-2-3-4-14-22Q1000
	Stradley Magazine:	19-48-4144/6-14-22PM1000
	Van Trailer:	MS-1320/56
	Van Trailer - Loose:	19-48-4021-11M1000

<u>INDEX NUMBER</u>	<u>DRAWING TYPE</u>	<u>DRAWING NUMBER</u>
26	Arch Type (26'-6" W) Magazine:	19-48-4144/2-1PM1000
	Arch (26'-6" W) Mag. - Loose:	19-48-4007/2-1M1000
	Arch (25' W X 12'-1-3/4" H) Mag.:	19-48-4144/5-1PM1000
	Arch (25' W X 12' H) Mag. - Loose:	19-48-4007/3-1M1000
	Arch Type (11' H) Magazine:	19-48-4144/4-1PM1000
	Arch (11' H) Type Mag. - Loose:	19-48-4007/4-1M1000
	Arch Type (10' H) Magazine:	19-48-4144/3-1PM1000
	Arch (10' H) Type Mag. - Loose:	19-48-4007/5-1M1000
	Boxcar:	WR-52/12
	Boxcar - Loose:	19-48-4017-5M1002
	Corbetta Magazine:	19-48-4144/9-4PM1000
	Corbetta Magazine - Loose:	19-48-4007/7-4M1000
	Dromedary:	19-48-4252-11Q1000
	Igloo Magazine:	19-48-4144/1-1PM1000
	Igloo Magazine - Loose:	19-48-4007/1-1M1000
	MILVAN:	MS-1386/26
	On-Depot Movement:	19-48-4306-5-11Q1000
	Rectangular Magazine:	19-48-4144/8-3PM1000
	Rectangular Magazine - Loose:	19-48-4007/6-3M1000
	Standard Magazine:	19-48-4144/7-2PM 1000
Storage of Small Quantities/Lots:	19-48-4146-1-2-3-4-14-22Q1000	
Stradley Magazine:	19-48-4144/6-14-22PM1000	
Van Trailer:	MS-1320/84	
Van Trailer - Loose:	19-48-4021-11M1000	

<u>INDEX NUMBER</u>	<u>DRAWING TYPE</u>	<u>DRAWING NUMBER</u>
27	Boxcar:	WR-52/100
	On-Depot Movement:	19-48-4306-5-11Q1000
	Storage:	19-48-4102/14-1-3-4-14-22PE1001
	Storage of Small Quantities/Lots:	19-48-4146-1-2-3-4-14-22Q1000
	Van Trailer:	WR-51/2

<u>INDEX NUMBER</u>	<u>DRAWING TYPE</u>	<u>DRAWING NUMBER</u>
28	Arch Type (26'-6" W) Magazine:	19-48-4144/2-1PM1000
	Arch (26'-6" W) Mag. - Loose:	19-48-4007/2-1M1000
	Arch (25' W X 12'-1-3/4" H) Mag.:	19-48-4144/5-1PM1000
	Arch (25' W X 12' H) Mag. - Loose:	19-48-4007/3-1M1000
	Arch Type (11' H) Magazine:	19-48-4144/4-1PM1000
	Arch (11' H) Type Mag. - Loose:	19-48-4007/4-1M1000
	Arch Type (10' H) Magazine:	19-48-4144/3-1PM1000
	Arch (10' H) Type Mag. - Loose:	19-48-4007/5-1M1000
	Boxcar - Loose:	19-48-4017-5M1002
	Corbetta Magazine:	19-48-4144/9-4PM1000
	Corbetta Magazine - Loose:	19-48-4007/7-4M1000
	Dromedary:	19-48-4252-11Q1000
	Igloo Magazine:	19-48-4144/1-1PM1000
	Igloo Magazine - Loose:	19-48-4007/1-1M1000
	On-Depot Movement:	19-48-4306-5-11Q1000
	Rectangular Magazine:	19-48-4144/8-3PM1000
	Rectangular Magazine - Loose:	19-48-4007/6-3M1000
	Standard Magazine:	19-48-4144/7-2PM 1000
	Storage of Small Quantities/Lots:	19-48-4146-1-2-3-4-14-22Q1000
	Stradley Magazine:	19-48-4144/6-14-22PM1000
Van Trailer - Loose:	19-48-4021-11M1000	

<u>INDEX NUMBER</u>	<u>DRAWING TYPE</u>	<u>DRAWING NUMBER</u>
29	No additional drawings	available at this time

<u>INDEX NUMBER</u>	<u>DRAWING TYPE</u>	<u>DRAWING NUMBER</u>
30	6' Open Top ISO Container:	19-48-4188-15PE1005
	6' Open Top ISO - Mixed Loads:	19-48-4190-15PM1006
	Boxcar:	19-48-4012-5PE1000
	Bundling:	19-48-4076-20PE1001
	CROP:	19-48-4906/102-CA17Q7
	Dromedary:	19-48-4252-11Q1000
	End Opening ISO Container:	19-48-4153-15PA1002
	End Opening ISO - Mixed Loads:	19-48-4189-15PM1005
	European Boxcar:	19-48-4286-5PE1006
	Half-High ISO Container:	19-48-4268-15PE1008
	Korean Covered Flat:	19-48-4368-5PE1007
	Korean Gondola:	19-48-4253-5PQ1000
	Marine Corps Half-High ISO Cont.:	19-48-4256-15PE1007
	MILVAN:	19-48-4163-15PE1002
	On-Depot Movement:	19-48-4306-5-11Q1000
	Side Opening ISO Container:	19-48-4292-15PE1010
	Storage:	19-48-4102/2-1-2-3-4-14-22PE1001
	Storage of Small Quantities/Lots:	19-48-4146-1-2-3-4-14-22Q1000
	Tactical Vehicle - PLS - Highway:	19-48-4903-CA17Q2
	Tactical Vehicle - Steel Strap:	19-48-4900-CA17Q1
	Tactical Vehicle - Unit Basic Load:	19-48-4901/5-CA17Q2
	Tactical Vehicle - Web Strap:	19-48-4901/1-CA17Q2
	TOFC, Van Trailer, BHD:	19-48-4034-15PE1000
TOFC, Van Trailer, Mech:	19-48-4030-15H1002	
TOFC, Van, Palla-Gard:	19-48-4183-15PE1003	
Van Trailer:	19-48-4019-11PE1000	

<u>INDEX NUMBER</u>	<u>DRAWING TYPE</u>	<u>DRAWING NUMBER</u>
31	Boxcar:	MS-1325/15
	MILVAN:	MS-1386/9
	On-Depot Movement:	19-48-4306-5-11Q1000
	Storage:	19-48-4102/16-1-3-4-14-22PE1001
	Storage of Small Quantities/Lots:	19-48-4146-1-2-3-4-14-22Q1000
Van Trailer:	MS-1320/152	

<u>INDEX NUMBER</u>	<u>DRAWING TYPE</u>	<u>DRAWING NUMBER</u>
32	6' Open Top ISO Container:	19-48-4187-15PA1007
	6' Open Top ISO - Mixed Loads:	19-48-4190-15PM1006
	Boxcar:	19-48-4115-5PA1002
	Boxcar - Loose:	19-48-1634-5A29
	CROP:	19-48-4906-CA17Q7
	Dromedary:	19-48-4252-11Q1000
	End Opening ISO Container:	19-48-4153-15PA1002
	End Opening ISO - Mixed Loads:	19-48-4189-15PM1005
	European Boxcar:	19-48-4288-5PA1006
	Korean Gondola:	19-48-4253-5PQ1000
	MILVAN:	19-48-4166-15PA1003
	On-Depot Movement:	19-48-4306-5-11Q1000
	Side Opening ISO Container:	19-48-4267-15PA1009
	Storage:	19-48-4118-1-2-3-4-14-22PA1002
	Storage - Loose:	19-48-4005-1-2-3-4-14-22A1000
	Storage of Small Quantities/Lots:	19-48-4146-1-2-3-4-14-22Q1000
	Tactical Vehicle - PLS - Highway:	19-48-4903-CA17Q2
	Tactical Vehicle - Steel Strap:	19-48-4900-CA17Q1
	Tactical Vehicle - Unit Basic Load:	19-48-4901/5-CA17Q2
	Tactical Vehicle - Web Strap:	19-48-4901/4-CA17Q2
	TOFC, Van, Palla-Gard:	19-48-4182-15PA1006
	TOFC, Van Trailer, BHD:	19-48-4036-15PA1000
	TOFC, Van Trailer, BHD - Loose:	19-48-4037-15A1000
TOFC, Van Trailer, Mech:	19-48-4028-15P1	
TOFC, Van Trailer, Mech - Loose:	19-48-4048-11-15A1000	
Van Trailer:	19-48-4117-11PA1003	
Van Trailer - Loose:	19-48-4013-11A1001	

<u>INDEX NUMBER</u>	<u>DRAWING TYPE</u>	<u>DRAWING NUMBER</u>
33	6' Open Top ISO - Mixed:	19-48-4190-15PM1006
	Arch Type (26'-6" W) Magazine:	19-48-4144/2-1PM1000
	Arch (26'-6" W) Mag. - Loose:	19-48-4007/2-1M1000
	Arch (25' W X 12'-1-3/4" H) Mag.:	19-48-4144/5-1PM1000
	Arch (25' W X 12' H) Mag. - Loose:	19-48-4007/3-1M1000
	Arch Type (11' H) Magazine:	19-48-4144/4-1PM1000
	Arch (11' H) Type Mag. - Loose:	19-48-4007/4-1M1000
	Arch Type (10' H) Magazine:	19-48-4144/3-1PM1000
	Arch (10' H) Type Mag. - Loose:	19-48-4007/5-1M1000
	Basic Unitization Procedures:	19-48-4042A-20PM1001
	Boxcar:	19-48-4042B/7-5PM1000
	Boxcar - Loose:	19-48-4017-5M1002
	Corbetta Magazine:	19-48-4144/9-4PM1000
	Corbetta Magazine - Loose:	19-48-4007/7-4M1000
	CROP:	19-48-4906-CA17Q7
	Dromedary:	19-48-4252-11Q1000
	End Opening ISO Container:	19-48-4154-15PM1002
	End Opening ISO - Mixed Loads:	19-48-4189-15PM1005
	European Boxcar:	19-48-4287-5PM1006
	Igloo Magazine:	19-48-4144/1-1PM1000
	Igloo Magazine - Loose:	19-48-4007/1-1M1000
	Index of Appendices:	19-48-4042A/0-20PM1001
	Korean Gondola:	19-48-4253-5PQ1000
	MILVAN:	19-48-4106-15PM1001
	MILVAN (Mixed Height Load):	D-SARAC 4372
	On-Depot Movement:	19-48-4306-5-11Q1000
	Rectangular Magazine:	19-48-4144/8-3PM1000
	Rectangular Magazine - Loose:	19-48-4007/6-3M1000
	Standard Magazine:	19-48-4144/7-2PM 1000
	Storage of Small Quantities/Lots:	19-48-4146-1-2-3-4-14-22Q1000
	Stradley Magazine:	19-48-4144/6-14-22PM1000
	Tactical Vehicle - PLS - Highway:	19-48-4903-CA17Q2
	Tactical Vehicle - Steel Strap:	19-48-4900-CA17Q1
	Tactical Vehicle - Unit Basic Load:	19-48-4901/5-CA17Q2
	Tactical Vehicle - Web Strap:	19-48-4901/2-CA17Q2
	TOFC, Van, Palla-Gard:	19-48-4184-15PM1004
	TOFC, Van Trailer, BHD - Loose:	19-48-4033-15M1000
	TOFC, Van Trailer, Mech :	19-48-4100-15PM1000
	Van Trailer:	19-48-4042C/7-11PM1000
	Van Trailer - Loose:	19-48-4021-11M1000

<u>INDEX NUMBER</u>	<u>DRAWING TYPE</u>	<u>DRAWING NUMBER</u>
34	6' Open Top ISO - Mixed:	19-48-4190-15PM1006
	Arch (26'-6" W) Mag. - Loose:	19-48-4007/2-1M1000
	Arch (25' W X 12' H) Mag. - Loose:	19-48-4007/3-1M1000
	Arch (11' H) Type Mag. - Loose:	19-48-4007/4-1M1000
	Arch (10' H) Type Mag. - Loose:	19-48-4007/5-1M1000
	Boxcar:	19-48-4121-5PM1002
	Boxcar - Loose:	19-48-4017-5M1002
	Corbetta Magazine - Loose:	19-48-4007/7-4M1000
	CROP:	19-48-4906-CA17Q7
	Dromedary:	19-48-4252-11Q1000
	End Opening ISO Container:	19-48-4154-15PM1002
	End Opening ISO - Mixed Loads:	19-48-4189-15PM1005
	European Boxcar:	19-48-4287-5PM1006
	Igloo Magazine - Loose:	19-48-4007/1-1M1000
	MILVAN:	D-SARAC 4388
	MILVAN:	D-SARAC 4389
	MILVAN (Mixed Load):	D-SARAC 4390
	On-Depot Movement:	19-48-4306-5-11Q1000
	Rectangular Magazine - Loose:	19-48-4007/6-3M1000
	Side Opening ISO Container:	19-48-4267-15PA1009
	Storage:	19-48-4137-1-14PM1002
	Storage of Small Quantities/Lots:	19-48-4146-1-2-3-4-14-22Q1000
	Tactical Vehicle - PLS - Highway:	19-48-4903-CA17Q2
	Tactical Vehicle - Steel Strap:	19-48-4900-CA17Q1
	Tactical Vehicle - Unit Basic Load:	19-48-4901/5-CA17Q2
	Tactical Vehicle - Web Strap:	19-48-4901/3-CA17Q2
	TOFC, Van Trailer, BHD - Loose:	19-48-4033-15M1000
	TOFC, Van, BHD - Palletized:	19-48-4100-15PM1000
	Van Trailer:	19-48-4122-11PM1002
	Van Trailer - Loose:	19-48-4021-11M1000

<u>INDEX NUMBER</u>	<u>DRAWING TYPE</u>	<u>DRAWING NUMBER</u>
35	Boxcar:	MS-1325/100
	MILVAN:	MS-1386/11
	On-Depot Movement:	19-48-4306-5-11Q1000
	Storage:	19-48-4102/18-1-3-4-14-22PE1001
	Storage of Small Quantities/Lots:	19-48-4146-1-2-3-4-14-22Q1000
	Van Trailer:	MS-1320/121

<u>INDEX NUMBER</u>	<u>DRAWING TYPE</u>	<u>DRAWING NUMBER</u>
36	Boxcar:	MS-1325/125
	MILVAN:	MS-1386/12
	On-Depot Movement:	19-48-4306-5-11Q1000
	Storage:	19-48-4102/17-1-3-4-14-22PE1001
	Storage of Small Quantities/Lots:	19-48-4146-1-2-3-4-14-22Q1000
	Van Trailer:	MS-1320/121

<u>INDEX NUMBER</u>	<u>DRAWING TYPE</u>	<u>DRAWING NUMBER</u>
37	6' Open Top ISO - Mixed:	19-48-4190-15PM1006
	Arch Type (26'-6" W) Magazine:	19-48-4144/2-1PM1000
	Arch (26'-6" W) Magazine - Loose:	19-48-4007/2-1M1000
	Arch (25' W X 12'-1-3/4" H) Mag.:	19-48-4144/5-1PM1000
	Arch (25' W X 12' H) Mag. - Loose:	19-48-4007/3-1M1000
	Arch Type (11' H) Magazine:	19-48-4144/4-1PM1000
	Arch (11' H) Type Mag. - Loose:	19-48-4007/4-1M1000
	Arch Type (10' H) Magazine:	19-48-4144/3-1PM1000
	Arch (10' H) Type Mag. - Loose:	19-48-4007/5-1M1000
	Basic Unitization Procedures:	19-48-4042A-20PM1001
	Boxcar:	19-48-4042B/22-5PM1000
	Boxcar - Loose:	19-48-4017-5M1002
	Corbetta Magazine:	19-48-4144/9-4PM1000
	Corbetta Magazine - Loose:	19-48-4007/7-4M1000
	CROP:	19-48-4906-CA17Q7
	Dromedary:	19-48-4252-11Q1000
	End Opening ISO Container:	19-48-4154/23-15PM1002
	End Opening ISO - Mixed Loads:	19-48-4189-15PM1005
	European Boxcar:	19-48-4287-5PM1006
	Igloo Magazine:	19-48-4144/1-1PM1000
	Igloo Magazine - Loose:	19-48-4007/1-1M1000
	Index of Appendices:	19-48-4042A/0-20PM1001
	Korean Gondola:	19-48-4253-5PQ1000
	MILVAN:	19-48-4106-15PM1001
	On-Depot Movement:	19-48-4306-5-11Q1000
	Rectangular Magazine:	19-48-4144/8-3PM1000
	Rectangular Magazine - Loose:	19-48-4007/6-3M1000
	Side Opening ISO Container:	19-48-4264/23-15PM1003
	Standard Magazine:	19-48-4144/7-2PM 1000
	Storage of Small Quantities/Lots:	19-48-4146-1-2-3-4-14-22Q1000
	Stradley Magazine:	19-48-4144/6-14-22PM1000
	Tactical Vehicle - PLS - Highway:	19-48-4903-CA17Q2
	Tactical Vehicle - Steel Strap:	19-48-4900-CA17Q1
	Tactical Vehicle - Unit Basic Load:	19-48-4901/5-CA17Q2
	Tactical Vehicle - Web Strap:	19-48-4901/2-CA17Q2
	TOFC, Van, Palla-Gard:	19-48-4184-15PM1004
	TOFC, Van Trailer, Mech:	19-48-4100-15PM1000
TOFC, Van Trailer, BHD - Loose:	19-48-4033-15M1000	
Van Trailer:	19-48-4042C/22-11PM1000	
Van Trailer - Loose:	19-48-4021-11M1000	

<u>INDEX NUMBER</u>	<u>DRAWING TYPE</u>	<u>DRAWING NUMBER</u>
38	6' Open Top ISO - Mixed:	19-48-4190-15PM1006
	Arch Type (26'-6" W) Magazine:	19-48-4144/2-1PM1000
	Arch (26'-6" W) Mag. - Loose:	19-48-4007/2-1M1000
	Arch (25' W X 12'-1-3/4" H) Mag.:	19-48-4144/5-1PM1000
	Arch (25' W X 12' H) Mag. - Loose:	19-48-4007/3-1M1000
	Arch Type (11' H) Magazine:	19-48-4144/4-1PM1000
	Arch (11' H) Type Mag. - Loose:	19-48-4007/4-1M1000
	Arch Type (10' H) Magazine:	19-48-4144/3-1PM1000
	Arch (10' H) Type Mag. - Loose:	19-48-4007/5-1M1000
	Basic Unitization Procedures:	19-48-4042A-20PM1001
	Boxcar:	19-48-4042B/4-5PM1000
	Boxcar - Loose:	19-48-4017-5M1002
	Corbetta Magazine:	19-48-4144/9-4PM1000
	Corbetta Magazine - Loose:	19-48-4007/7-4M1000
	CROP:	19-48-4906-CA17Q7
	Dromedary:	19-48-4252-11Q1000
	End Opening ISO Container:	19-48-4154/4-15PM1002
	End Opening ISO - Mixed Loads:	19-48-4189-15PM1005
	European Boxcar:	19-48-4287-5PM1006
	Igloo Magazine:	19-48-4144/1-1PM1000
	Igloo Magazine - Loose:	19-48-4007/1-1M1000
	Index of Appendices:	19-48-4042A/0-20PM1001
	Korean Gondola:	19-48-4253-5PQ1000
	MILVAN:	19-48-4106-15PM1001
	MILVAN (Mixed Height Load):	D-SARAC 4367
	On-Depot Movement:	19-48-4306-5-11Q1000
	Rectangular Magazine:	19-48-4144/8-3PM1000
	Rectangular Magazine - Loose:	19-48-4007/6-3M1000
	Side Opening ISO Container:	19-48-4264/4-15PM1003
	Standard Magazine:	19-48-4144/7-2PM 1000
	Storage of Small Quantities/Lots:	19-48-4146-1-2-3-4-14-22Q1000
	Stradley Magazine:	19-48-4144/6-14-22PM1000
	Tactical Vehicle - PLS - Highway:	19-48-4903-CA17Q2
	Tactical Vehicle - Steel Strap:	19-48-4900-CA17Q1
	Tactical Vehicle - Unit Basic Load:	19-48-4901/5-CA17Q2
	Tactical Vehicle - Web Strap:	19-48-4901/2-CA17Q2
	TOFC, Van, Palla-Gard:	19-48-4184-15PM1004
	TOFC, Van Trailer, Mech:	19-48-4100-15PM1000
	TOFC, Van Trailer, BHD - Loose:	19-48-4033-15M1000
	Van Trailer:	19-48-4042C/4-11PM1000
	Van Trailer - Loose:	19-48-4021-11M1000

<u>INDEX NUMBER</u>	<u>DRAWING TYPE</u>	<u>DRAWING NUMBER</u>
39	6' Open Top ISO Container:	19-48-4188-15PE1005
	6' Open Top ISO - Mixed:	19-48-4190-15PM1006
	Boxcar:	19-48-4012-5PE1000
	Bundling:	19-48-4076-20PE1001
	CROP:	19-48-4906/102-CA17Q7
	Dromedary:	19-48-4252-11Q1000
	End Opening ISO Container:	19-48-4155-15PE1001
	End Opening ISO - Mixed Loads:	19-48-4189-15PM1005
	European Boxcar:	19-48-4286-5PE1006
	Half-High ISO Container:	19-48-4268-15PE1008
	Korean Covered Flat:	19-48-4368-5PE1007
	Korean Gondola:	19-48-4253-5PQ1000
	Marine Corps Half-High ISO Cont.:	19-48-4256-15PE1007
	MILVAN:	19-48-4163-15PE1002
	On-Depot Movement:	19-48-4306-5-11Q1000
	Storage:	19-48-4102/24-1-2-3-4-14-22PE1001
	Storage of Small Quantities/Lots:	19-48-4146-1-2-3-4-14-22Q1000
	Tactical Vehicle - PLS - Highway:	19-48-4903-CA17Q2
	Tactical Vehicle - Steel Strap:	19-48-4900-CA17Q1
	Tactical Vehicle - Unit Basic Load:	19-48-4901/5-CA17Q2
	Tactical Vehicle - Web Strap:	19-48-4901/1-CA17Q2
	TOFC, Van Trailer, BHD:	19-48-4034-15PE1000
	TOFC, Van Trailer, Mech:	19-48-4030-15H1002
	TOFC, Van, Palla-Gard:	19-48-4183-15PE1003
	Van Trailer:	19-48-4019-11PE1000

<u>INDEX NUMBER</u>	<u>DRAWING TYPE</u>	<u>DRAWING NUMBER</u>
40	6' Open Top ISO Container:	19-48-4188-15PE1005
	6' Open Top ISO - Mixed:	19-48-4190-15PM1006
	Boxcar:	19-48-4012-5PE1000
	Bundling:	19-48-4076-20PE1001
	CROP:	19-48-4906/102-CA17Q7
	Dromedary:	19-48-4252-11Q1000
	End Opening ISO Container:	19-48-4155-15PE1001
	End Opening ISO - Mixed Loads:	19-48-4189-15PM1005
	End Opening ISO - Mixed SLP/PC:	19-48-4257-15PM1012
	European Boxcar:	19-48-4286-5PE1006
	Half-High ISO Container:	19-48-4268-15PE1008
	Korean Covered Flat:	19-48-4368-5PE1007
	Korean Gondola:	19-48-4253-5PQ1000
	Marine Corps Half-High ISO Cont.:	19-48-4256-15PE1007
	MILVAN:	19-48-4163-15PE1002
	On-Depot Movement:	19-48-4306-5-11Q1000
	Side Opening ISO Container:	19-48-4292-15PE1010
	Storage:	19-48-4102/1-1-2-3-4-14-22PE1001
	Storage of Small Quantities/Lots:	19-48-4146-1-2-3-4-14-22Q1000
	Tactical Vehicle - PLS - Highway:	19-48-4903-CA17Q2
	Tactical Vehicle - Steel Strap:	19-48-4900-CA17Q1
	Tactical Vehicle - Unit Basic Load:	19-48-4901/5-CA17Q2
	Tactical Vehicle - Web Strap:	19-48-4901/1-CA17Q2
	TOFC, Van Trailer, BHD:	19-48-4034-15PE1000
	TOFC, Van Trailer, Mech:	19-48-4030-15H1002
	TOFC, Van, Palla-Gard:	19-48-4183-15PE1003
	Van Trailer:	19-48-4019-11PE1000

<u>INDEX NUMBER</u>	<u>DRAWING TYPE</u>	<u>DRAWING NUMBER</u>
41	6' Open Top ISO - Mixed:	19-48-4190-15PM1006
	Boxcar:	19-48-4157-5PE1003
	CROP:	19-48-4906-CA17Q7
	CROP (SCL):	19-48-4905/39-CA17Q6
	Dromedary:	19-48-4252-11Q1000
	End Opening ISO Container:	19-48-4273-15PE1009
	End Opening ISO - Mixed Loads:	19-48-4189-15PM1005
	MILVAN:	19-48-4195-15PE1006
	On-Depot Movement:	19-48-4306-5-11Q1000
	Storage:	19-48-4160-1-3-4-14-22PE1003
	Storage of Small Quantities/Lots:	19-48-4146-1-2-3-4-14-22Q1000
	Tactical Vehicle - PLS - Highway:	19-48-4903-CA17Q2
	Tactical Vehicle - Steel Strap:	19-48-4900-CA17Q1
	Tactical Vehicle - Unit Basic Load:	19-48-4901/5-CA17Q2
	Tactical Vehicle - Web Strap:	19-48-4901/3-CA17Q2
	Van Trailer:	19-48-4158-11PE1003

<u>INDEX NUMBER</u>	<u>DRAWING TYPE</u>	<u>DRAWING NUMBER</u>
42	6' Open Top ISO - Mixed:	19-48-4190-15PM1006
	Arch Type (26'-6" W) Magazine:	19-48-4144/2-1PM1000
	Arch (26'-6" W) Magazine - Loose:	19-48-4007/2-1M1000
	Arch (25' W X 12'-1-3/4" H) Mag.:	19-48-4144/5-1PM1000
	Arch (25' W X 12' H) Mag. - Loose:	19-48-4007/3-1M1000
	Arch Type (11' H) Magazine:	19-48-4144/4-1PM1000
	Arch (11' H) Type Mag. - Loose:	19-48-4007/4-1M1000
	Arch Type (10' H) Magazine:	19-48-4144/3-1PM1000
	Arch (10' H) Type Mag. - Loose:	19-48-4007/5-1M1000
	Basic Unitization Procedures:	19-48-4042A-20PM1001
	Boxcar:	19-48-4042B/10-5PM1000
	Boxcar - Loose:	19-48-4017-5M1002
	Corbetta Magazine:	19-48-4144/9-4PM1000
	Corbetta Magazine - Loose:	19-48-4007/7-4M1000
	CROP:	19-48-4906-CA17Q7
	Dromedary:	19-48-4252-11Q1000
	End Opening ISO Container:	19-48-4154/11-15PM1002
	End Opening ISO - Mixed Loads:	19-48-4189-15PM1005
	European Boxcar:	19-48-4287-5PM1006
	Igloo Magazine:	19-48-4144/1-1PM1000
	Igloo Magazine - Loose:	19-48-4007/1-1M1000
	Index of Appendices:	19-48-4042A/0-20PM1001
	Korean Gondola:	19-48-4253-5PQ1000
	MILVAN:	19-48-4106-15PM1001
	MILVAN (Mixed Height Load):	D-SARAC 4374
	On-Depot Movement:	19-48-4306-5-11Q1000
	Rectangular Magazine:	19-48-4144/8-3PM1000
	Rectangular Magazine - Loose:	19-48-4007/6-3M1000
	Side Opening ISO Container:	19-48-4264/11-15PM1003
	Standard Magazine:	19-48-4144/7-2PM 1000
	Storage of Small Quantities/Lots:	19-48-4146-1-2-3-4-14-22Q1000
	Stradley Magazine:	19-48-4144/6-14-22PM1000
	Tactical Vehicle - PLS - Highway:	19-48-4903-CA17Q2
	Tactical Vehicle - Steel Strap:	19-48-4900-CA17Q1
	Tactical Vehicle - Unit Basic Load:	19-48-4901/5-CA17Q2
	Tactical Vehicle - Web Strap:	19-48-4901/2-CA17Q2
	TOFC, Van, Palla-Gard:	19-48-4184-15PM1004
	TOFC, Van Trailer, Mech:	19-48-4100-15PM1000
	TOFC, Van Trailer, BHD - Loose:	19-48-4033-15M1000
	Van Trailer:	19-48-4042C/10-11PM1000
	Van Trailer - Loose:	19-48-4021-11M1000

<u>INDEX NUMBER</u>	<u>DRAWING TYPE</u>	<u>DRAWING NUMBER</u>
43	6' Open Top ISO - Mixed:	19-48-4190-15PM1006
	Arch (26'-6" W) Magazine - Loose:	19-48-4007/2-1M1000
	Arch (25' W X 12' H) Mag. - Loose:	19-48-4007/3-1M1000
	Arch (11' H) Type Mag. - Loose:	19-48-4007/4-1M1000
	Arch (10' H) Type Mag. - Loose:	19-48-4007/5-1M1000
	Basic Unitization Procedures:	19-48-4042A-20PM1001
	Boxcar:	19-48-4042B/21-5PM1000
	Boxcar - Loose:	19-48-4017-5M1002
	Corbetta Magazine - Loose:	19-48-4007/7-4M1000
	CROP:	19-48-4906-CA17Q7
	Dromedary:	19-48-4252-11Q1000
	End Opening ISO Container:	19-48-4154/22-15PM1002
	End Opening ISO - Mixed Loads:	19-48-4189-15PM1005
	European Boxcar:	19-48-4287-5PM1006
	Igloo Magazine - Loose:	19-48-4007/1-1M1000
	Index of Appendices:	19-48-4042A/0-20PM1001
	Korean Gondola:	19-48-4253-5PQ1000
	MILVAN:	19-48-4106-15PM1001
	On-Depot Movement:	19-48-4306-5-11Q1000
	Rectangular Magazine - Loose:	19-48-4007/6-3M1000
	Side Opening ISO Container:	19-48-4264/22-15PM1003
	Standard Magazine:	19-48-4144/7-2PM 1000
	Storage:	19-48-4312/22-1-3-4-14-22PM1006
	Storage of Small Quantities/Lots:	19-48-4146-1-2-3-4-14-22Q1000
	Tactical Vehicle - PLS - Highway:	19-48-4903-CA17Q2
	Tactical Vehicle - Steel Strap:	19-48-4900-CA17Q1
	Tactical Vehicle - Unit Basic Load:	19-48-4901/5-CA17Q2
	Tactical Vehicle - Web Strap:	19-48-4901/2-CA17Q2
	TOFC, Van, Palla-Gard:	19-48-4184-15PM1004
	TOFC, Van Trailer, Mech:	19-48-4100-15PM1000
	TOFC, Van Trailer, BHD - Loose:	19-48-4033-15M1000
	Van Trailer:	19-48-4042C/21-11PM1000
	Van Trailer - Loose:	19-48-4021-11M1000

<u>INDEX NUMBER</u>	<u>DRAWING TYPE</u>	<u>DRAWING NUMBER</u>
44	6' Open Top ISO - Mixed:	19-48-4190-15PM1006
	Arch (26'-6" W) Magazine - Loose:	19-48-4007/2-1M1000
	Arch (25' W X 12' H) Mag. - Loose:	19-48-4007/3-1M1000
	Arch (11' H) Type Mag. - Loose:	19-48-4007/4-1M1000
	Arch (10' H) Type Mag. - Loose:	19-48-4007/5-1M1000
	Basic Unitization Procedures:	19-48-4042A-20PM1001
	Boxcar:	19-48-4042B/8-5PM1000
	Boxcar - Loose:	19-48-4017-5M1002
	Corbetta Magazine - Loose:	19-48-4007/7-4M1000
	CROP:	19-48-4906-CA17Q7
	Dromedary:	19-48-4252-11Q1000
	End Opening ISO Container:	19-48-4154/9-15PM1002
	End Opening ISO - Mixed Loads:	19-48-4189-15PM1005
	End Opening ISO - Mixed SLP/PC:	19-48-4257-15PM1012
	European Boxcar:	19-48-4287-5PM1006
	Half-High ISO Container:	19-48-4274-15PM1017
	Igloo Magazine - Loose:	19-48-4007/1-1M1000
	Index of Appendices:	19-48-4042A/0-20PM1001
	Korean Gondola:	19-48-4253-5PQ1000
	MILVAN:	19-48-4106-15PM1001
	MILVAN (Mixed Height Load):	D-SARAC 4370
	On-Depot Movement:	19-48-4306-5-11Q1000
	Rectangular Magazine - Loose:	19-48-4007/6-3M1000
	Side Opening ISO Container:	19-48-4264/9-15PM1003
	Standard Magazine:	19-48-4144/7-2PM 1000
	Storage:	19-48-4312/9-1-3-4-14-22PM1006
	Storage of Small Quantities/Lots:	19-48-4146-1-2-3-4-14-22Q1000
	Tactical Vehicle - PLS - Highway:	19-48-4903-CA17Q2
	Tactical Vehicle - Steel Strap:	19-48-4900-CA17Q1
	Tactical Vehicle - Unit Basic Load:	19-48-4901/5-CA17Q2
	Tactical Vehicle - Web Strap:	19-48-4901/2-CA17Q2
	TOFC, Van, Palla-Gard:	19-48-4184-15PM1004
	TOFC, Van Trailer, Mech:	19-48-4100-15PM1000
	TOFC, Van Trailer, BHD - Loose:	19-48-4033-15M1000
	Van Trailer:	19-48-4042C/8-11PM1000
	Van Trailer - Loose:	19-48-4021-11M1000

<u>INDEX NUMBER</u>	<u>DRAWING TYPE</u>	<u>DRAWING NUMBER</u>
45	6' Open Top ISO - Mixed:	19-48-4190-15PM1006
	Arch Type (26'-6" W) Magazine:	19-48-4144/2-1PM1000
	Arch (26'-6" W) Magazine - Loose:	19-48-4007/2-1M1000
	Arch (25' W X 12'-1-3/4" H) Mag.:	19-48-4144/5-1PM1000
	Arch (25' W X 12' H) Mag. - Loose:	19-48-4007/3-1M1000
	Arch Type (11' H) Magazine:	19-48-4144/4-1PM1000
	Arch (11' H) Type Mag. - Loose:	19-48-4007/4-1M1000
	Arch Type (10' H) Magazine:	19-48-4144/3-1PM1000
	Arch (10' H) Type Mag. - Loose:	19-48-4007/5-1M1000
	Basic Unitization Procedures:	19-48-4042A-20PM1001
	Boxcar:	19-48-4042B/5-5PM1000
	Boxcar - Loose:	19-48-4017-5M1002
	Corbetta Magazine:	19-48-4144/9-4PM1000
	Corbetta Magazine - Loose:	19-48-4007/7-4M1000
	CROP:	19-48-4906-CA17Q7
	Dromedary:	19-48-4252-11Q1000
	End Opening ISO Container:	19-48-4154/5-15PM1002
	End Opening ISO - Mixed Loads:	19-48-4189-15PM1005
	European Boxcar:	19-48-4287-5PM1006
	Igloo Magazine:	19-48-4144/1-1PM1000
	Igloo Magazine - Loose:	19-48-4007/1-1M1000
	Index of Appendices:	19-48-4042A/0-20PM1001
	Korean Gondola:	19-48-4253-5PQ1000
	MILVAN:	19-48-4106-15PM1001
	MILVAN (Mixed Height Load):	D-SARAC 4368
	On-Depot Movement:	19-48-4306-5-11Q1000
	Rectangular Magazine:	19-48-4144/8-3PM1000
	Rectangular Magazine - Loose:	19-48-4007/6-3M1000
	Side Opening ISO Container:	19-48-4264/5-15PM1003
	Standard Magazine:	19-48-4144/7-2PM 1000
	Storage of Small Quantities/Lots:	19-48-4146-1-2-3-4-14-22Q1000
	Stradley Magazine:	19-48-4144/6-14-22PM1000
	Tactical Vehicle - PLS - Highway:	19-48-4903-CA17Q2
	Tactical Vehicle - Steel Strap:	19-48-4900-CA17Q1
	Tactical Vehicle - Unit Basic Load:	19-48-4901/5-CA17Q2
	Tactical Vehicle - Web Strap:	19-48-4901/2-CA17Q2
	TOFC, Van, Palla-Gard:	19-48-4184-15PM1004
	TOFC, Van Trailer, Mech:	19-48-4100-15PM1000
	TOFC, Van Trailer, BHD - Loose:	19-48-4033-15M1000
	Van Trailer:	19-48-4042C/5-11PM1000
	Van Trailer - Loose:	19-48-4021-11M1000

<u>INDEX NUMBER</u>	<u>DRAWING TYPE</u>	<u>DRAWING NUMBER</u>
46	6' Open Top ISO - Mixed:	19-48-4190-15PM1006
	Arch Type (26'-6" W) Magazine:	19-48-4144/2-1PM1000
	Arch (26'-6" W) Magazine - Loose:	19-48-4007/2-1M1000
	Arch (25' W X 12'-1-3/4" H) Mag.:	19-48-4144/5-1PM1000
	Arch (25' W X 12' H) Mag. - Loose:	19-48-4007/3-1M1000
	Arch Type (11' H) Magazine:	19-48-4144/4-1PM1000
	Arch (11' H) Type Mag. - Loose:	19-48-4007/4-1M1000
	Arch Type (10' H) Magazine:	19-48-4144/3-1PM1000
	Arch (10' H) Type Mag. - Loose:	19-48-4007/5-1M1000
	Basic Unitization Procedures:	19-48-4042A-20PM1001
	Boxcar:	19-48-4042B/7-5PM1000
	Boxcar - Loose:	19-48-4017-5M1002
	Corbetta Magazine:	19-48-4144/9-4PM1000
	Corbetta Magazine - Loose:	19-48-4007/7-4M1000
	CROP:	19-48-4906-CA17Q7
	Dromedary:	19-48-4252-11Q1000
	End Opening ISO Cont. (w/Cover):	19-48-4154/7-15PM1002
	End Opening ISO Cont. (w/o Cover):	19-48-4154/8-15PM1002
	End Opening ISO - Mixed Loads:	19-48-4189-15PM1005
	European Boxcar:	19-48-4287-5PM1006
	Igloo Magazine:	19-48-4144/1-1PM1000
	Igloo Magazine - Loose:	19-48-4007/1-1M1000
	Index of Appendices:	19-48-4042A/0-20PM1001
	Korean Gondola:	19-48-4253-5PQ1000
	MILVAN:	19-48-4106-15PM1001
	MILVAN (Mixed Hgt Load w/Cover):	D-SARAC 4372
	MILVAN (Mxd Hgt Load w/o Cover):	D-SARAC 4371
	On-Depot Movement:	19-48-4306-5-11Q1000
	Rectangular Magazine:	19-48-4144/8-3PM1000
	Rectangular Magazine - Loose:	19-48-4007/6-3M1000
	Standard Magazine:	19-48-4144/7-2PM 1000
	Storage of Small Quantities/Lots:	19-48-4146-1-2-3-4-14-22Q1000
	Stradley Magazine:	19-48-4144/6-14-22PM1000
	Tactical Vehicle - PLS - Highway:	19-48-4903-CA17Q2
	Tactical Vehicle - Steel Strap:	19-48-4900-CA17Q1
	Tactical Vehicle - Unit Basic Load:	19-48-4901/5-CA17Q2
	Tactical Vehicle - Web Strap:	19-48-4901/2-CA17Q2
	TOFC, Van, Palla-Gard:	19-48-4184-15PM1004
	TOFC, Van Trailer, Mech.:	19-48-4100-15PM1000
	TOFC, Van Trailer, BHD - Loose:	19-48-4033-15M1000
	Van Trailer:	19-48-4042C/7-11PM1000
	Van Trailer - Loose:	19-48-4021-11M1000

<u>INDEX NUMBER</u>	<u>DRAWING TYPE</u>	<u>DRAWING NUMBER</u>
47	6' Open Top ISO - Mixed:	19-48-4190-15PM1006
	Arch (26'-6" W) Magazine - Loose:	19-48-4007/2-1M1000
	Arch (25' W X 12' H) Mag. - Loose:	19-48-4007/3-1M1000
	Arch (11' H) Type Mag. - Loose:	19-48-4007/4-1M1000
	Arch (10' H) Type Mag. - Loose:	19-48-4007/5-1M1000
	Basic Unitization Procedures:	19-48-4042A-20PM1001
	Boxcar:	19-48-4042B/3-5PM1000
	Boxcar - Loose:	19-48-4017-5M1002
	Corbetta Magazine - Loose:	19-48-4007/7-4M1000
	CROP:	19-48-4906-CA17Q7
	Dromedary:	19-48-4252-11Q1000
	End Opening ISO Container:	19-48-4154/3-15PM1002
	End Opening ISO - Mixed Loads:	19-48-4189-15PM1005
	European Boxcar:	19-48-4287-5PM1006
	Igloo Magazine - Loose:	19-48-4007/1-1M1000
	Index of Appendices:	19-48-4042A/0-20PM1001
	Korean Gondola:	19-48-4253-5PQ1000
	MILVAN:	19-48-4106-15PM1001
	MILVAN (Mixed Height Load):	D-SARAC 4366
	On-Depot Movement:	19-48-4306-5-11Q1000
	Rectangular Magazine - Loose:	19-48-4007/6-3M1000
	Side Opening ISO Container:	19-48-4264/3-15PM1003
	Standard Magazine:	19-48-4144/7-2PM1000
	Storage of Small Quantities/Lots:	19-48-4146-1-2-3-4-14-22Q1000
	Stradley Magazine:	19-48-4144/6-14-22PM1000
	Tactical Vehicle - PLS - Highway:	19-48-4903-CA17Q2
	Tactical Vehicle - Steel Strap:	19-48-4900-CA17Q1
	Tactical Vehicle - Unit Basic Load:	19-48-4901/5-CA17Q2
	Tactical Vehicle - Web Strap:	19-48-4901/2-CA17Q2
	TOFC, Van, Palla-Gard:	19-48-4184-15PM1004
	TOFC, Van Trailer, Mech.:	19-48-4100-15PM1000
	TOFC, Van Trailer, BHD - Loose:	19-48-4033-15M1000
	Van Trailer:	19-48-4042C/3-11PM1000
Van Trailer - Loose:	19-48-4021-11M1000	

<u>INDEX NUMBER</u>	<u>DRAWING TYPE</u>	<u>DRAWING NUMBER</u>
48	6' Open Top ISO - Mixed:	19-48-4190-15PM1006
	Arch (26'-6" W) Magazine - Loose:	19-48-4007/2-1M1000
	Arch (25' W X 12' H) Mag. - Loose:	19-48-4007/3-1M1000
	Arch (11' H) Type Mag. - Loose:	19-48-4007/4-1M1000
	Arch (10' H) Type Mag. - Loose:	19-48-4007/5-1M1000
	Basic Unitization Procedures:	19-48-4042A-20PM1001
	Boxcar:	19-48-4042B/2-5PM1000
	Boxcar - Loose:	19-48-4017-5M1002
	Corbetta Magazine - Loose:	19-48-4007/7-4M1000
	CROP:	19-48-4906-CA17Q7
	Dromedary:	19-48-4252-11Q1000
	End Opening ISO Container:	19-48-4154/2-15PM1002
	End Opening ISO - Mixed Loads:	19-48-4189-15PM1005
	European Boxcar:	19-48-4287-5PM1006
	Igloo Magazine - Loose:	19-48-4007/1-1M1000
	Index of Appendices:	19-48-4042A/0-20PM1001
	Korean Gondola:	19-48-4253-5PQ1000
	MILVAN:	19-48-4106-15PM1001
	MILVAN (Mixed Height Load):	D-SARAC 4365
	On-Depot Movement:	19-48-4306-5-11Q1000
	Rectangular Magazine - Loose:	19-48-4007/6-3M1000
	Side Opening ISO Container:	19-48-4264/2-15PM1003
	Standard Magazine:	19-48-4144/7-2PM 1000
	Storage:	19-48-4312/2-1-3-4-14-22PM1006
	Storage of Small Quantities/Lots:	19-48-4146-1-2-3-4-14-22Q1000
	Tactical Vehicle - PLS - Highway:	19-48-4903-CA17Q2
	Tactical Vehicle - Steel Strap:	19-48-4900-CA17Q1
	Tactical Vehicle - Unit Basic Load:	19-48-4901/5-CA17Q2
	Tactical Vehicle - Web Strap:	19-48-4901/2-CA17Q2
	TOFC, Van, Palla-Gard:	19-48-4184-15PM1004
	TOFC, Van Trailer, Mech.:	19-48-4100-15PM1000
	TOFC, Van Trailer, BHD - Loose:	19-48-4033-15M1000
	Van Trailer:	19-48-4042C/2-11PM1000
Van Trailer - Loose:	19-48-4021-11M1000	

<u>INDEX NUMBER</u>	<u>DRAWING TYPE</u>	<u>DRAWING NUMBER</u>
49	6' Open Top ISO Container:	19-48-4188-15PE1005
	6' Open Top ISO - Mixed:	19-48-4190-15PM1006
	Boxcar:	19-48-4012-5PE1000
	Bundling:	19-48-4076-20PE1001
	CROP:	19-48-4906/102-CA17Q7
	Dromedary:	19-48-4252-11Q1000
	End Opening ISO Container:	19-48-4155-15PE1001
	End Opening ISO - Mixed Loads:	19-48-4189-15PM1005
	European Boxcar:	19-48-4286-5PE1006
	Korean Gondola:	19-48-4253-5PQ1000
	MILVAN:	19-48-4163-15PE1002
	On-Depot Movement:	19-48-4306-5-11Q1000
	Storage:	19-48-4102/23-1-2-3-4-14-22PE1001
	Storage of Small Quantities/Lots:	19-48-4146-1-2-3-4-14-22Q1000
	Tactical Vehicle - PLS - Highway:	19-48-4903-CA17Q2
	Tactical Vehicle - Steel Strap:	19-48-4900-CA17Q1
	Tactical Vehicle - Unit Basic Load:	19-48-4901/5-CA17Q2
	Tactical Vehicle - Web Strap:	19-48-4901/1-CA17Q2
TOFC, Van Trailer, BHD:	19-48-4034-15PE1000	
TOFC, Van Trailer, Mech:	19-48-4030-15H1002	
TOFC, Van, Palla-Gard:	19-48-4183-15PE1003	
Van Trailer:	19-48-4019-11PE1000	

<u>INDEX NUMBER</u>	<u>DRAWING TYPE</u>	<u>DRAWING NUMBER</u>
50	Boxcar:	MS 1325/81
	On-Depot Movement:	19-48-4306-5-11Q1000
	Storage:	19-48-4102/12-1-3-4-14-22PE1001
	Storage of Small Quantities/Lots:	19-48-4146-1-2-3-4-14-22Q1000
	Van Trailer:	MS 1320/44

<u>INDEX NUMBER</u>	<u>DRAWING TYPE</u>	<u>DRAWING NUMBER</u>
51	Boxcar:	WR-52/113
	On-Depot Movement:	19-48-4306-5-11Q1000
	Storage:	19-48-4118-1-2-3-4-14-22PA1002
	Storage of Small Quantities/Lots:	19-48-4146-1-2-3-4-14-22Q1000
	Van Trailer:	WR-51/79

<u>INDEX NUMBER</u>	<u>DRAWING TYPE</u>	<u>DRAWING NUMBER</u>
52	On-Depot Movement:	19-48-4306-5-11Q1000
	Storage:	19-48-4102/9-1-3-4-14-22PE1001
	Storage of Small Quantities/Lots:	19-48-4146-1-2-3-4-14-22Q1000

<u>INDEX NUMBER</u>	<u>DRAWING TYPE</u>	<u>DRAWING NUMBER</u>
53	6' Open Top ISO Container:	19-48-4188-15PE1005
	6' Open Top ISO - Mixed:	19-48-4190-15PM1006
	Boxcar:	19-48-4012-5PE1000
	Bundling:	19-48-4076-20PE1001
	CROP:	19-48-4906/102-CA17Q7
	Dromedary:	19-48-4252-11Q1000
	End Opening ISO Container:	19-48-4155-15PE1001
	End Opening ISO - Mixed Loads:	19-48-4189-15PM1005
	European Boxcar:	19-48-4286-5PE1006
	Half-High ISO Container:	19-48-4268-15PE1008
	Korean Gondola:	19-48-4253-5PQ1000
	Marine Corps Half-High ISO Cont.:	19-48-4256-15PE1007
	MILVAN:	19-48-4163-15PE1002
	On-Depot Movement:	19-48-4306-5-11Q1000
	Storage:	19-48-4102/7-1-2-3-4-14-22PE1001
	Storage of Small Quantities/Lots:	19-48-4146-1-2-3-4-14-22Q1000
	Tactical Vehicle - PLS - Highway:	19-48-4903-CA17Q2
	Tactical Vehicle - Steel Strap:	19-48-4900-CA17Q1
	Tactical Vehicle - Unit Basic Load:	19-48-4901/5-CA17Q2
	Tactical Vehicle - Web Strap:	19-48-4901/1-CA17Q2
	TOFC, Van Trailer, BHD:	19-48-4034-15PE1000
	TOFC, Van Trailer, Mech:	19-48-4030-15H1002
	TOFC, Van, Palla-Gard:	19-48-4183-15PE1003
Van Trailer:	19-48-4019-11PE1000	

<u>INDEX NUMBER</u>	<u>DRAWING TYPE</u>	<u>DRAWING NUMBER</u>
54	6' Open Top ISO Container:	19-48-4188-15PE1005
	6' Open Top ISO - Mixed Loads:	19-48-4190-15PM1006
	Boxcar:	19-48-4012-5PE1000
	Bundling:	19-48-4076-20PE1001
	CROP:	19-48-4906/102-CA17Q7
	Dromedary:	19-48-4252-11Q1000
	End Opening ISO Container:	19-48-4155-15PE1001
	End Opening ISO - Mixed Loads:	19-48-4189-15PM1005
	European Boxcar:	19-48-4286-5PE1006
	Korean Gondola:	19-48-4253-5PQ1000
	MILVAN:	19-48-4163-15PE1002
	On-Depot Movement:	19-48-4306-5-11Q1000
	Storage:	19-48-4102/8-1-2-3-4-14-22PE1001
	Storage of Small Quantities/Lots:	19-48-4146-1-2-3-4-14-22Q1000
	Tactical Vehicle - PLS - Highway:	19-48-4903-CA17Q2
	Tactical Vehicle - Steel Strap:	19-48-4900-CA17Q1
	Tactical Vehicle - Unit Basic Load:	19-48-4901/5-CA17Q2
	Tactical Vehicle - Web Strap:	19-48-4901/1-CA17Q2
	TOFC, Van Trailer, BHD:	19-48-4034-15PE1000
	TOFC, Van Trailer, Mech:	19-48-4030-15H1002
	TOFC, Van, Palla-Gard:	19-48-4183-15PE1003
	Van Trailer:	19-48-4019-11PE1000

<u>INDEX NUMBER</u>	<u>DRAWING TYPE</u>	<u>DRAWING NUMBER</u>
55	6' Open Top ISO - Mixed:	19-48-4190-15PM1006
	Arch Type (26'-6" W) Magazine:	19-48-4144/2-1PM1000
	Arch (26'-6" W) Mag. - Loose:	19-48-4007/2-1M1000
	Arch (25' W X 12'-1-3/4" H) Mag.:	19-48-4144/5-1PM1000
	Arch (25' W X 12' H) Mag. - Loose:	19-48-4007/3-1M1000
	Arch Type (11' H) Magazine:	19-48-4144/4-1PM1000
	Arch (11' H) Type Mag. - Loose:	19-48-4007/4-1M1000
	Arch Type (10' H) Magazine:	19-48-4144/3-1PM1000
	Arch (10' H) Type Mag. - Loose:	19-48-4007/5-1M1000
	Basic Unitization Procedures:	19-48-4042A-20PM1001
	Boxcar:	19-48-4042B/9-5PM1000
	Boxcar - Loose:	19-48-4017-5M1002
	Corbetta Magazine:	19-48-4144/9-4PM1000
	Corbetta Magazine - Loose:	19-48-4007/7-4M1000
	CROP:	19-48-4906-CA17Q7
	Dromedary:	19-48-4252-11Q1000
	End Opening ISO Container:	19-48-4154/10-15PM1002
	End Opening ISO - Mixed Loads:	19-48-4189-15PM1005
	European Boxcar:	19-48-4287-5PM1006
	Igloo Magazine:	19-48-4144/1-1PM1000
	Igloo Magazine - Loose:	19-48-4007/1-1M1000
	Index of Appendices:	19-48-4042A/0-20PM1001
	Korean Gondola:	19-48-4253-5PQ1000
	MILVAN:	19-48-4106-15PM1001
	MILVAN (Mixed Height Load):	D-SARAC 4373
	On-Depot Movement:	19-48-4306-5-11Q1000
	Rectangular Magazine:	19-48-4144/8-3PM1000
	Rectangular Magazine - Loose:	19-48-4007/6-3M1000
	Side Opening ISO Container:	19-48-4264/10-15PM1003
	Standard Magazine:	19-48-4144/7-2PM 1000
	Storage of Small Quantities/Lots:	19-48-4146-1-2-3-4-14-22Q1000
	Stradley Magazine:	19-48-4144/6-14-22PM1000
	Tactical Vehicle - PLS - Highway:	19-48-4903-CA17Q2
	Tactical Vehicle - Steel Strap:	19-48-4900-CA17Q1
	Tactical Vehicle - Unit Basic Load:	19-48-4901/5-CA17Q2
Tactical Vehicle - Web Strap:	19-48-4901/2-CA17Q2	
TOFC, Van, Palla-Gard:	19-48-4184-15PM1004	
TOFC, Van Trailer, Mech.:	19-48-4100-15PM1000	
TOFC, Van Trailer, BHD - Loose:	19-48-4033-15M1000	
Van Trailer:	19-48-4042C/9-11PM1000	
Van Trailer - Loose:	19-48-4021-11M1000	

<u>INDEX NUMBER</u>	<u>DRAWING TYPE</u>	<u>DRAWING NUMBER</u>
56	6' Open Top ISO - Mixed:	19-48-4190-15PM1006
	Arch (26'-6" W) Mag. - Loose:	19-48-4007/2-1M1000
	Arch (25' W X 12' H) Mag. - Loose:	19-48-4007/3-1M1000
	Arch (11' H) Type Mag. - Loose:	19-48-4007/4-1M1000
	Arch (10' H) Type Mag. - Loose:	19-48-4007/5-1M1000
	Basic Unitization Procedures:	19-48-4042A-20PM1001
	Boxcar:	19-48-4042B/13-5PM1000
	Boxcar - Loose:	19-48-4017-5M1002
	Corbetta Magazine - Loose:	19-48-4007/7-4M1000
	CROP:	19-48-4906-CA17Q7
	Dromedary:	19-48-4252-11Q1000
	End Opening ISO Container:	19-48-4154/14-15PM1002
	End Opening ISO - Mixed Loads:	19-48-4189-15PM1005
	European Boxcar:	19-48-4287-5PM1006
	Igloo Magazine - Loose:	19-48-4007/1-1M1000
	Index of Appendices:	19-48-4042A/0-20PM1001
	Korean Gondola:	19-48-4253-5PQ1000
	MILVAN:	19-48-4106-15PM1001
	On-Depot Movement:	19-48-4306-5-11Q1000
	Rectangular Magazine - Loose:	19-48-4007/6-3M1000
	Side Opening Container:	19-48-4264/14-15PM1003
	Standard Magazine:	19-48-4144/7-2PM 1000
	Storage:	19-48-4312/14-1-3-4-14-22PM1006
	Storage of Small Quantities/Lots:	19-48-4146-1-2-3-4-14-22Q1000
	Tactical Vehicle - PLS - Highway:	19-48-4903-CA17Q2
	Tactical Vehicle - Steel Strap:	19-48-4900-CA17Q1
	Tactical Vehicle - Unit Basic Load:	19-48-4901/5-CA17Q2
	Tactical Vehicle - Web Strap:	19-48-4901/2-CA17Q2
	TOFC, Van, Palla-Gard:	19-48-4184-15PM1004
	TOFC, Van Trailer, Mech.:	19-48-4100-15PM1000
	TOFC, Van Trailer, BHD - Loose:	19-48-4033-15M1000
	Van Trailer:	19-48-4042C/13-11PM1000
	Van Trailer - Loose:	19-48-4021-11M1000

<u>INDEX NUMBER</u>	<u>DRAWING TYPE</u>	<u>DRAWING NUMBER</u>
57	6' Open Top ISO - Mixed:	19-48-4190-15PM1006
	Arch Type (26'-6" W) Magazine:	19-48-4144/2-1PM1000
	Arch (26'-6" W) Mag. - Loose:	19-48-4007/2-1M1000
	Arch (25' W X 12'-1-3/4" H) Mag.:	19-48-4144/5-1PM1000
	Arch (25' W X 12' H) Mag. - Loose:	19-48-4007/3-1M1000
	Arch Type (11' H) Magazine:	19-48-4144/4-1PM1000
	Arch (11' H) Type Mag. - Loose:	19-48-4007/4-1M1000
	Arch Type (10' H) Magazine:	19-48-4144/3-1PM1000
	Arch (10' H) Type Mag. - Loose:	19-48-4007/5-1M1000
	Basic Unitization Procedures:	19-48-4042A-20PM1001
	Boxcar:	19-48-4042B/6-5PM1000
	Boxcar - Loose:	19-48-4017-5M1002
	Corbetta Magazine:	19-48-4144/9-4PM1000
	Corbetta Magazine - Loose:	19-48-4007/7-4M1000
	CROP:	19-48-4906-CA17Q7
	Dromedary:	19-48-4252-11Q1000
	End Opening ISO Container:	19-48-4154/6-15PM1002
	End Opening ISO - Mixed Loads:	19-48-4189-15PM1005
	European Boxcar:	19-48-4287-5PM1006
	Igloo Magazine:	19-48-4144/1-1PM1000
	Igloo Magazine - Loose:	19-48-4007/1-1M1000
	Index of Appendices:	19-48-4042A/0-20PM1001
	Korean Gondola:	19-48-4253-5PQ1000
	MILVAN:	19-48-4106-15PM1001
	MILVAN (Mixed Height Load):	D-SARAC 4369
	On-Depot Movement:	19-48-4306-5-11Q1000
	Rectangular Magazine:	19-48-4144/8-3PM1000
	Rectangular Magazine - Loose:	19-48-4007/6-3M1000
	Side Opening ISO Container:	19-48-4264/6-15PM1003
	Standard Magazine:	19-48-4144/7-2PM 1000
	Storage of Small Quantities/Lots:	19-48-4146-1-2-3-4-14-22Q1000
	Stradley Magazine:	19-48-4144/6-14-22PM1000
	Tactical Vehicle - PLS - Highway:	19-48-4903-CA17Q2
	Tactical Vehicle - Steel Strap:	19-48-4900-CA17Q1
	Tactical Vehicle - Unit Basic Load:	19-48-4901/5-CA17Q2
	Tactical Vehicle - Web Strap:	19-48-4901/2-CA17Q2
	TOFC, Van, Palla-Gard:	19-48-4184-15PM1004
	TOFC, Van Trailer, Mech.:	19-48-4100-15PM1000
	TOFC, Van Trailer, BHD - Loose:	19-48-4033-15M1000
	Van Trailer:	19-48-4042C/6
	Van Trailer - Loose:	19-48-4021-11M1000

<u>INDEX NUMBER</u>	<u>DRAWING TYPE</u>	<u>DRAWING NUMBER</u>
58	6' Open Top ISO - Mixed:	19-48-4190-15PM1006
	Arch Type (26'-6" W) Magazine:	19-48-4144/2-1PM1000
	Arch (26'-6" W) Mag. - Loose:	19-48-4007/2-1M1000
	Arch (25' W X 12'-1-3/4" H) Mag.:	19-48-4144/5-1PM1000
	Arch (25' W X 12' H) Mag. - Loose:	19-48-4007/3-1M1000
	Arch Type (11' H) Magazine:	19-48-4144/4-1PM1000
	Arch (11' H) Type Mag. - Loose:	19-48-4007/4-1M1000
	Arch Type (10' H) Magazine:	19-48-4144/3-1PM1000
	Arch (10' H) Type Mag. - Loose:	19-48-4007/5-1M1000
	Basic Unitization Procedures:	19-48-4042A-20PM1001
	Boxcar:	19-48-4042B/1-5PM1000
	Boxcar - Loose:	19-48-4017-5M1002
	Corbetta Magazine:	19-48-4144/9-4PM1000
	Corbetta Magazine - Loose:	19-48-4007/7-4M1000
	CROP:	19-48-4906-CA17Q7
	Dromedary:	19-48-4252-11Q1000
	End Opening ISO Container:	19-48-4154/1-15PM1002
	End Opening ISO - Mixed Loads:	19-48-4189-15PM1005
	European Boxcar:	19-48-4287-5PM1006
	Igloo Magazine:	19-48-4144/1-1PM1000
	Igloo Magazine - Loose:	19-48-4007/1-1M1000
	Index of Appendices:	19-48-4042A/0-20PM1001
	Korean Gondola:	19-48-4253-5PQ1000
	MILVAN:	19-48-4106-15PM1001
	MILVAN (Mixed Height Load):	D-SARAC 4374
	On-Depot Movement:	19-48-4306-5-11Q1000
	Rectangular Magazine:	19-48-4144/8-3PM1000
	Rectangular Magazine - Loose:	19-48-4007/6-3M1000
	Side Opening ISO Container:	19-48-4264/1-15PM1003
	Standard Magazine:	19-48-4144/7-2PM 1000
	Storage of Small Quantities/Lots:	19-48-4146-1-2-3-4-14-22Q1000
	Stradley Magazine:	19-48-4144/6-14-22PM1000
	Tactical Vehicle - PLS - Highway:	19-48-4903-CA17Q2
	Tactical Vehicle - Steel Strap:	19-48-4900-CA17Q1
	Tactical Vehicle - Unit Basic Load:	19-48-4901/5-CA17Q2
	Tactical Vehicle - Web Strap:	19-48-4901/2-CA17Q2
	TOFC, Van, Palla-Gard:	19-48-4184-15PM1004
	TOFC, Van Trailer, Mech - Palletized:	19-48-4100-15PM1000
	TOFC, Van Trailer, BHD - Loose:	19-48-4033-15M1000
	Van Trailer:	19-48-4042C/1-11PM1000
	Van Trailer - Loose:	19-48-4021-11M1000

<u>INDEX NUMBER</u>	<u>DRAWING TYPE</u>	<u>DRAWING NUMBER</u>
59	Boxcar:	MS-1325/92
	Boxcar (Loose - MK13 & MK14):	WR-52/90
	Boxcar (Loose - MK8):	WR-52/91
	On-Depot Movement:	19-48-4306-5-11Q1000
	Storage:	19-48-4102/21-1-3-4-14-22PE1001
Storage of Small Quantities/Lots:	19-48-4146-1-2-3-4-14-22Q1000	
	Van Trailer:	WR-51/63

<u>INDEX NUMBER</u>	<u>DRAWING TYPE</u>	<u>DRAWING NUMBER</u>
60	Boxcar:	WR-52/111
	Boxcar (Loose):	WR-52/90
	On-Depot Movement:	19-48-4306-5-11Q1000
	Storage:	19-48-4102/22-1-3-4-14-22PE1001
	Storage of Small Quantities/Lots:	19-48-4146-1-2-3-4-14-22Q1000
	Van Trailer:	WR-51/64

<u>INDEX NUMBER</u>	<u>DRAWING TYPE</u>	<u>DRAWING NUMBER</u>
61	Boxcar:	MS-1325/100
	On-Depot Movement:	19-48-4306-5-11Q1000
	Storage of Small Quantities/Lots:	19-48-4146-1-2-3-4-14-22Q1000
	Van Trailer:	WR-51/82

<u>INDEX NUMBER</u>	<u>DRAWING TYPE</u>	<u>DRAWING NUMBER</u>
62	Boxcar:	MS-1325/100
	On-Depot Movement:	19-48-4306-5-11Q1000
	Storage:	19-48-4118-1-2-3-4-14-22PA1002
	Storage of Small Quantities/Lots:	19-48-4146-1-2-3-4-14-22Q1000
	Van Trailer:	MS-1320/3

<u>INDEX NUMBER</u>	<u>DRAWING TYPE</u>	<u>DRAWING NUMBER</u>
63	Boxcar:	WR-52/28
	End Opening ISO Container:	19-48-4191-15PB1001
	MILVAN:	MS-1386/49
	On-Depot Movement:	19-48-4306-5-11Q1000
	Storage:	19-48-4118-1-2-3-4-14-22PA1002
	Storage of Small Quantities/Lots:	19-48-4146-1-2-3-4-14-22Q1000
	Van Trailer:	MS-1320/2

<u>INDEX NUMBER</u>	<u>DRAWING TYPE</u>	<u>DRAWING NUMBER</u>
64	MILVAN:	DA-104
	On-Depot Movement:	19-48-4306-5-11Q1000

<u>INDEX NUMBER</u>	<u>DRAWING TYPE</u>	<u>DRAWING NUMBER</u>
65	Boxcar:	19-48-4556-5CB3
	Flatbed Trailer:	19-48-4555-11CB3
	On-Depot Movement:	19-48-4306-5-11Q1000
	Storage:	19-48-4554-CB1-14M2
	Storage of Small Quantities/Lots:	19-48-4146-1-2-3-4-14-22Q1000

<u>INDEX NUMBER</u>	<u>DRAWING TYPE</u>	<u>DRAWING NUMBER</u>
66	Boxcar:	MS-1325/9
	Boxcar (Loose):	WR-52/18
	On-Depot Movement:	19-48-4306-5-11Q1000
	Van Trailer:	MS-1320/5

<u>INDEX NUMBER</u>	<u>DRAWING TYPE</u>	<u>DRAWING NUMBER</u>
67	End Opening ISO Container:	19-48-4317-15PM1009
	MILVAN:	19-48-8640-SP15PB9
	On-Depot Movement:	19-48-4306-5-11Q1000
	Side Opening ISO Container:	19-48-8641-SP15PB10
	Van or Flatbed Trailer:	6214040

<u>INDEX NUMBER</u>	<u>DRAWING TYPE</u>	<u>DRAWING NUMBER</u>
68	Boxcar:	MS-1325/157
	Boxcar (Loose):	19-48-4050-5B40
	End Opening ISO Container:	19-48-4316-15PB1008
	MILVAN:	MS-1386/21
	On-Depot Movement:	19-48-4306-5-11Q1000
	Storage:	19-48-4105/4-1-3-4-14-22PB1003
	Side Opening ISO Container:	19-48-4356-15PB1019
	Van or Flatbed Trailer:	7517082
Van Trailer (Loose):	19-48-4060-11B1003	

<u>INDEX NUMBER</u>	<u>DRAWING TYPE</u>	<u>DRAWING NUMBER</u>
69	Boxcar:	WR-52/10
	Boxcar (Loose):	19-48-4050-5B40
	End Opening ISO Container:	19-48-4313-15PB1010
	MILVAN:	19-48-4315-15PB1012
	On-Depot Movement:	19-48-4306-5-11Q1000
	Side Opening ISO Container:	19-48-4314-15PB1011
	Side Opening ISO (Airburst):	19-48-8716-SP15M10
	Side Opening ISO (GBU-12):	19-48-8718-SP15M12
	Side Opening ISO (RIBS):	19-48-8792-SP15PB17
	Storage:	19-48-4105/5-1-3-4-14-22PB1003
	TOFC, Van Trailer:	WR-51/34
	Van Trailer:	WR-51/6
Van Trailer (Loose):	19-48-4060-11B1003	

<u>INDEX NUMBER</u>	<u>DRAWING TYPE</u>	<u>DRAWING NUMBER</u>
70	Boxcar:	WR-52/74
	Boxcar (Loose):	19-48-4050-5B40
	End Opening ISO Container:	D-SARAC 4457
	MILVAN:	MS-1386/3
	On-Depot Movement:	19-48-4306-5-11Q1000
	Storage:	19-48-4105/1-1-3-4-14-22PB1003
	TOFC, Van Trailer:	WR-51/85
	Van Trailer:	WR-51/81
Van Trailer (Loose):	19-48-4060-11B1003	

<u>INDEX NUMBER</u>	<u>DRAWING TYPE</u>	<u>DRAWING NUMBER</u>
71	Boxcar:	WR-52/11
	Boxcar (Loose):	19-48-4050-5B40
	End Opening ISO Container:	19-48-4192-15PB1002
	Flatbed:	19-48-4266-11PB1006
	MILVAN:	MS-1386/2
	On-Depot Movement:	19-48-4306-5-11Q1000
	Side Opening ISO Container:	19-48-4361-15PB1017
	Storage:	19-48-7067-SP1-3-4-14-22PB1
	Van Trailer:	6214074
	Van Trailer (Loose):	19-48-4060-11B1003

<u>INDEX NUMBER</u>	<u>DRAWING TYPE</u>	<u>DRAWING NUMBER</u>
72	Boxcar:	19-48-7080/1-SP5PB1000
	End Opening ISO Container:	19-48-8610-SP15PB4
	Flatbed:	19-48-7084/1-SP11PB1001
	Flatrack:	19-48-7085/1-SP15PB1005
	On-Depot Movement:	19-48-4306-5-11Q1000
	Side Opening ISO Container:	19-48-8612-SP15PB6
	Side Opening ISO (GBU-24):	19-48-8720-SP15M14
	Side Opening ISO (GBU-27):	19-48-8721-SP15M15
	Side Opening ISO (GBU-31):	19-48-8723-SP15M17
	Side Opening ISO (RIBS):	19-48-8794-SP15PB18
	Storage:	19-48-8603-SP1-3-4-14-22PB2
	Van Trailer:	19-48-8613-SP11PB2

<u>INDEX NUMBER</u>	<u>DRAWING TYPE</u>	<u>DRAWING NUMBER</u>
73	Boxcar:	MS-1325/85 or 175
	End Opening ISO Container:	19-48-4343-15PB1013
	Flatbed:	6214078
	Flatrack:	19-48-7074-SP15PB2
	MILVAN:	19-48-4280-15PB1006
	On-Depot Movement:	19-48-4306-5-11Q1000
	Side Opening ISO Container:	19-48-7127-SP15PB1007
	Side ISO (GBU-10/15/24/27):	19-48-7113-SP15M5
	Side Opening ISO (Comp. Rd.):	19-48-7107-SP15M3
	Side Opening ISO (GBU-10):	19-48-8717-SP15M11
	Side Opening ISO (GBU-24):	19-48-8719-SP15M13
	Side Opening ISO (GBU-31):	19-48-8722-SP15M16
	Side Opening ISO (High Drag):	19-48-8715-SP15M9
	Storage:	19-48-4093-1-3-4-14-22PB1000
	Van Trailer:	19-48-4263-11PB1004

<u>INDEX NUMBER</u>	<u>DRAWING TYPE</u>	<u>DRAWING NUMBER</u>
74	COAI:	ACV00156
	6' Open Top ISO - Mixed:	19-48-4190-15PM1006
	Arch (26'-6" W) Magazine - Loose:	19-48-4007/2-1M1000
	Arch (25' W X 12' H) Mag. - Loose:	19-48-4007/3-1M1000
	Arch (11' H) Type Mag. - Loose:	19-48-4007/4-1M1000
	Arch (10' H) Type Mag. - Loose:	19-48-4007/5-1M1000
	Basic Unitization Procedures:	19-48-4231-20PM1006
	Boxcar:	19-48-4242/60-5PM1004
	Boxcar - Loose:	19-48-4017-5M1002
	Corbetta Magazine - Loose:	19-48-4007/7-4M1000
	CROP:	19-48-4906-CA17Q7
	Dromedary:	19-48-4252-11Q1000
	End Opening ISO Container:	19-48-4245/60-15PM1009
	End Opening ISO - Mixed Loads:	19-48-4189-15PM1005
	European Boxcar:	19-48-4288-5PA1006
	Igloo Magazine - Loose:	19-48-4007/1-1M1000
	Index of Appendices:	19-48-4231/0-20PM1006
	MILVAN:	19-48-4244/60-15PM1008
	On-Depot Movement:	19-48-4306-5-11Q1000
	Rectangular Magazine - Loose:	19-48-4007/6-3M1000
	Side Opening ISO Container:	19-48-4272/60-15PM1016
	Storage:	19-48-4250/60-1-2-3-4-14-22PM1004
	Storage of Small Quantities/Lots:	19-48-4146-1-2-3-4-14-22Q1000
	Tactical Vehicle - PLS - Highway:	19-48-4903-CA17Q2
	Tactical Vehicle - Steel Strap:	19-48-4900-CA17Q1
	Tactical Vehicle - Unit Basic Load:	19-48-4901/5-CA17Q2
	Tactical Vehicle - Web Strap:	19-48-4901/3-CA17Q2
	TOFC, Van Trailer, BHD - Loose:	19-48-4033-15M1000
	TOFC, Van Trailer, Mech:	19-48-4100-15PM1000
	Van Trailer:	19-48-4243/60-11PM1004
	Van Trailer - Loose:	19-48-4021-11M1000

<u>INDEX NUMBER</u>	<u>DRAWING TYPE</u>	<u>DRAWING NUMBER</u>
75	COAI:	ACV00155
	6' Open Top ISO - Mixed:	19-48-4190-15PM1006
	Arch (26'-6" W) Magazine - Loose:	19-48-4007/2-1M1000
	Arch (25' W X 12' H) Mag.e - Loose:	19-48-4007/3-1M1000
	Arch (11' H) Type Mag. - Loose:	19-48-4007/4-1M1000
	Arch (10' H) Type Mag. - Loose:	19-48-4007/5-1M1000
	Basic Unitization Procedures:	19-48-4231-20PM1006
	Boxcar:	19-48-4242/61-5PM1004
	Boxcar - Loose:	19-48-4017-5M1002
	Corbetta Magazine - Loose:	19-48-4007/7-4M1000
	CROP:	19-48-4906-CA17Q7
	Dromedary:	19-48-4252-11Q1000
	End Opening ISO Container:	19-48-4245/61-15PM1009
	End Opening ISO - Mixed Loads:	19-48-4189-15PM1005
	European Boxcar:	19-48-4288-5PA1006
	Igloo Magazine - Loose:	19-48-4007/1-1M1000
	Index of Appendices:	19-48-4231/0-20PM1006
	MILVAN:	19-48-4244/61-15PM1008
	On-Depot Movement:	19-48-4306-5-11Q1000
	Rectangular Magazine - Loose:	19-48-4007/6-3M1000
	Side Opening ISO Container:	19-48-4272/61-15PM1016
	Storage:	19-48-4250/61-1-2-3-4-14-22PM1004
	Storage of Small Quantities/Lots:	19-48-4146-1-2-3-4-14-22Q1000
	Tactical Vehicle - PLS - Highway:	19-48-4903-CA17Q2
	Tactical Vehicle - Steel Strap:	19-48-4900-CA17Q1
	Tactical Vehicle - Unit Basic Load:	19-48-4901/5-CA17Q2
	Tactical Vehicle - Web Strap:	19-48-4901/3-CA17Q2
	TOFC, Van Trailer, BHD - Loose:	19-48-4033-15M1000
	TOFC, Van Trailer, Mech:	19-48-4100-15PM1000
	Van Trailer:	19-48-4243/61-11PM1004
	Van Trailer - Loose:	19-48-4021-11M1000

<u>INDEX NUMBER</u>	<u>DRAWING TYPE</u>	<u>DRAWING NUMBER</u>
76	6' Open Top ISO - Mixed:	19-48-4190-15PM1006
	Boxcar:	19-48-4281-5PK1000
	CROP:	19-48-4906-CA17Q7
	Dromedary:	19-48-4252-11Q1000
	End Opening ISO Container:	19-48-4283-15PK1001
	End Opening ISO - Mixed Loads:	19-48-4189-15PM1005
	European Boxcar:	19-48-4287-5PA1006
	Korean Gondola:	19-48-4253-5PQ1000
	MILVAN:	19-48-4285-15PK1003
	On-Depot Movement:	19-48-4306-5-11Q1000
	Side Opening ISO Container:	19-48-4284-15PK1002
	Storage:	19-48-4305-1-3-4-14-22PK1000
	Storage (Loose):	19-48-4005-1-2-3-4-14-22A1000
	Storage of Small Quantities/Lots:	19-48-4146-1-2-3-4-14-22Q1000
	Tactical Vehicle - PLS - Highway:	19-48-4903-CA17Q2
	Tactical Vehicle - Steel Strap:	19-48-4900-CA17Q1
	Tactical Vehicle - Unit Basic Load:	19-48-4901/5-CA17Q2
	Tactical Vehicle - Web Strap:	19-48-4901/4-CA17Q2
	TOFC, Van Trailer, Palla-Gard:	19-48-4182-15PA1006
	TOFC, Van Trailer, BHD:	19-48-4036-15PA1000
	TOFC, Van Trailer, BHD - Loose:	19-48-4037-15A1000
	TOFC, Van Trailer, Mech:	19-48-4028-15P1
	TOFC, Van Trailer, Mech - Loose:	19-48-4048-15A1000
	Van Trailer:	19-48-4282-11PK1000
	Van Trailer - Loose:	19-48-4013-11A1001

<u>INDEX NUMBER</u>	<u>DRAWING TYPE</u>	<u>DRAWING NUMBER</u>
77	6' Open Top ISO - Mixed:	19-48-4190-15PM1006
	Arch (26'-6" W) Magazine - Loose:	19-48-4007/2-1M1000
	Arch (25' W X 12' H) Mag. - Loose:	19-48-4007/3-1M1000
	Arch (11' H) Type Mag. - Loose:	19-48-4007/4-1M1000
	Arch (10' H) Type Mag. - Loose:	19-48-4007/5-1M1000
	Basic Unitization Procedures:	19-48-4079-20PM1002
	Boxcar:	19-48-4212/13-5PM1003
	Boxcar - Loose:	19-48-4017-5M1002
	Corbetta Magazine - Loose:	19-48-4007/7-4M1000
	CROP:	19-48-4906-CA17Q7
	Dromedary:	19-48-4252-11Q1000
	End Opening ISO Container:	19-48-4215/13-15PM1013
	End Opening ISO - Mixed Loads:	19-48-4189-15PM1005
	European Boxcar:	19-48-4287-5PM1006
	Igloo Magazine - Loose:	19-48-4007/1-1M1000
	Index of Appendices:	19-48-4079/0-20PM1002
	MILVAN:	19-48-4214/13-15PM1006
	On-Depot Movement:	19-48-4306-5-11Q1000
	Rectangular Magazine - Loose:	19-48-4007/6-3M1000
	Side Opening ISO Container:	19-48-4265/13-15PM1014
	Storage:	19-48-4145/16-1-2-3-4-14-22PM1003
	Storage of Small Quantities/Lots:	19-48-4146-1-2-3-4-14-22Q1000
	Tactical Vehicle - PLS - Highway:	19-48-4903-CA17Q2
	Tactical Vehicle - Steel Strap:	19-48-4900-CA17Q1
	Tactical Vehicle - Unit Basic Load:	19-48-4901/5-CA17Q2
	Tactical Vehicle - Web Strap:	19-48-4901/3-CA17Q2
	TOFC, Van Trailer, BHD - Loose:	19-48-4033-15M1000
	TOFC, Van Trailer, Mech:	19-48-4100-15PM1000
	Van Trailer:	19-48-4213/12-11PM1003
	Van Trailer - Loose:	19-48-4021-11M1000

<u>INDEX NUMBER</u>	<u>DRAWING TYPE</u>	<u>DRAWING NUMBER</u>
78	6' Open Top ISO - Mixed:	19-48-4190-15PM1006
	Arch (26'-6" W) Magazine - Loose:	19-48-4007/2-1M1000
	Arch (25' W X 12' H) Mag. - Loose:	19-48-4007/3-1M1000
	Arch (11' H) Type Mag. - Loose:	19-48-4007/4-1M1000
	Arch (10' H) Type Mag. - Loose:	19-48-4007/5-1M1000
	Basic Unitization Procedures:	19-48-4231-20PM1006
	Boxcar:	19-48-4242/81-5PM1004
	Boxcar - Loose:	19-48-4017-5M1002
	Corbetta Magazine - Loose:	19-48-4007/7-4M1000
	CROP:	19-48-4906-CA17Q7
	Dromedary:	19-48-4252-11Q1000
	End Opening ISO Container:	19-48-4245/81-15PM1009
	End Opening ISO - Mixed Loads:	19-48-4189-15PM1005
	European Boxcar:	19-48-4288-5PA1006
	Igloo Magazine - Loose:	19-48-4007/1-1M1000
	Index of Appendices:	19-48-4231/0-20PM1006
	MILVAN:	19-48-4214/13A-15PM106
	MILVAN:	19-48-4244/81-15PM1008
	On-Depot Movement:	19-48-4306-5-11Q1000
	Rectangular Magazine - Loose:	19-48-4007/6-3M1000
	Side Opening ISO Container:	19-48-4272/81-15PM1018
	Storage:	19-48-4145/16A-1-2-3-4-14-22PM1003
	Storage of Small Quantities/Lots:	19-48-4146-1-2-3-4-14-22Q1000
	Tactical Vehicle - PLS - Highway:	19-48-4903-CA17Q2
	Tactical Vehicle - Steel Strap:	19-48-4900-CA17Q1
	Tactical Vehicle - Unit Basic Load:	19-48-4901/5-CA17Q2
	Tactical Vehicle - Web Strap:	19-48-4901/3-CA17Q2
	TOFC, Van Trailer, BHD - Loose:	19-48-4033-15M1000
	TOFC, Van Trailer, Mech :	19-48-4100-15PM1000
	Van Trailer:	19-48-4243/81-11PM1004
	Van Trailer - Loose:	19-48-4021-11M1000

<u>INDEX NUMBER</u>	<u>DRAWING TYPE</u>	<u>DRAWING NUMBER</u>
79	Boxcar:	19-48-7091-SP5J4
	End Opening ISO Container:	19-48-8554-SP15J49
	Flatbed:	19-48-7077-SP11M7
	Flatrack ISO Container:	19-48-7092-SP15J5
	MILVAN:	19-48-8553-SP15J48
	On-Depot Movement:	19-48-4306-5-11Q1000
	Side Opening ISO Container:	19-48-7151-SP15J21
	Side Opening ISO Container:	19-48-8555-SP15J50
	Storage:	19-48-7102-SP1-3-4-14-22J18
	Van Trailer:	19-48-7141-SP11J11

<u>INDEX NUMBER</u>	<u>DRAWING TYPE</u>	<u>DRAWING NUMBER</u>
80	6' Open Top ISO - Mixed:	19-48-4190-15PM1006
	Arch (26'-6" W) Magazine - Loose:	19-48-4007/2-1M1000
	Arch (25' W X 12' H) Mag. - Loose:	19-48-4007/3-1M1000
	Arch (11' H) Type Mag. - Loose:	19-48-4007/4-1M1000
	Arch (10' H) Type Mag. - Loose:	19-48-4007/5-1M1000
	Basic Unitization Procedures:	19-48-4079-20PM1002
	Boxcar:	19-48-4212/12-5PM1003
	Boxcar - Loose:	19-48-4017-5M1002
	Corbetta Magazine - Loose:	19-48-4007/7-4M1000
	CROP:	19-48-4906-CA17Q7
	Dromedary:	19-48-4252-11Q1000
	End Opening ISO Container:	19-48-4215/12-15PM1013
	End Opening ISO - Mixed Loads:	19-48-4189-15PM1005
	European Boxcar:	19-48-4287-5PM1006
	Igloo Magazine - Loose:	19-48-4007/1-1M1000
	Index of Appendices:	19-48-4079/0-20PM1002
	MILVAN:	19-48-4214/12-15PM1006
	On-Depot Movement:	19-48-4306-5-11Q1000
	Rectangular Magazine - Loose:	19-48-4007/6-3M1000
	Side Opening ISO Container:	19-48-4265/12-15PM1014
	Storage:	19-48-4145/15-1-2-3-4-14-22PM1003
	Storage of Small Quantities/Lots:	19-48-4146-1-2-3-4-14-22Q1000
	Tactical Vehicle - PLS - Highway:	19-48-4903-CA17Q2
	Tactical Vehicle - Steel Strap:	19-48-4900-CA17Q1
	Tactical Vehicle - Unit Basic Load:	19-48-4901/5-CA17Q2
	Tactical Vehicle - Web Strap:	19-48-4901/3-CA17Q2
	TOFC, Van Trailer, BHD - Loose:	19-48-4033-15M1000
	TOFC, Van Trailer, Mech:	19-48-4100-15PM1000
	Van Trailer:	19-48-4213/13-11PM1003
	Van Trailer - Loose:	19-48-4021-11M1000

<u>INDEX NUMBER</u>	<u>DRAWING TYPE</u>	<u>DRAWING NUMBER</u>
81	Boxcar:	19-48-4199-5PA1005
	Boxcar - Loose:	19-48-4202-5A1005
	CROP:	19-48-4906-CA17Q7
	Dromedary:	19-48-4252-11Q1000
	End Opening ISO Container:	19-48-4351-15PA1014
	On-Depot Movement:	19-48-4306-5-11Q1000
	Portable Container - Loose:	19-48-4107-16A1000
	Short-Term Storage - Loose:	19-48-4073/1-1-3-4-14A1000
	Storage:	19-48-4097-1-3-4-14-22PA1009
	Storage – Long Term:	19-48-4211-1-3-4-14-22PA1012
	Storage - Loose:	19-48-4005-1-2-3-4-14-22A1000
	Storage of Small Quantities/Lots:	19-48-4146-1-2-3-4-14-22Q1000
	Van Trailer:	19-48-4200-11PA1005
	Van Trailer - Loose:	19-48-4170-11A1005

<u>INDEX NUMBER</u>	<u>DRAWING TYPE</u>	<u>DRAWING NUMBER</u>
82	Boxcar:	19-48-4297-5J1008
	End Opening ISO Container:	19-48-4298-15J1003
	End Opening ISO Container (Ty-Gard):	19-48-4298A-15J1003
	Flatbed:	19-48-4225-11J1007
	Flatrack ISO Container:	19-48-4294-15J1002
	MILVAN:	19-48-4299-15J1004
	On-Depot Movement:	19-48-4306-5-11Q1000
	Side Opening ISO Container:	19-48-4300-15J1005
	Storage:	19-48-4208-1-3-4-14-22J1008
	Tactical Vehicle - PLS - Highway:	19-48-4903-CA17Q2
	Van Trailer:	19-48-4223-11J1006

<u>INDEX NUMBER</u>	<u>DRAWING TYPE</u>	<u>DRAWING NUMBER</u>
83	Boxcar:	19-48-4207-5J1007
	End Opening ISO Container:	19-48-4269-15J1000
	End Opening ISO Container (Ty-Gard):	19-48-4269A-15J1000
	Flatbed Trailer:	19-48-4303-11J1008
	Flatrack ISO Container:	19-48-4301-15J1006
	MILVAN:	19-48-4299-15J1004
	On-Depot Movement:	19-48-4306-5-11Q1000
	Side Opening ISO Container:	19-48-4293-15J1001
	Storage:	19-48-4210-1-3-4-14-22J1010
	Tactical Vehicle - PLS - Highway:	19-48-4903-CA17Q2
Van Trailer:	19-48-4205-11J1005	

<u>INDEX NUMBER</u>	<u>DRAWING TYPE</u>	<u>DRAWING NUMBER</u>
84	Boxcar:	19-48-7062-SP5M7
	CROP:	19-48-4906-CA17Q7
	End Opening ISO Container:	19-48-8587-SP15M8
	End Opening ISO (Ty-Gard):	19-48-8587A-SP15M8
	Flatbed Trailer:	19-48-8570-SP11M12
	Flatrack ISO Container:	19-48-7079-SP15M1
	MILVAN:	D-SARAC 4417
	On-Depot Movement:	19-48-4306-5-11Q1000
	Side Opening ISO Container:	19-48-7115-SP15M6
	Storage:	19-48-7060-SP1-3-4-14-22M3
	Storage of Small Quantities/Lots:	19-48-4146-1-2-3-4-14-22Q1000
Tactical Vehicle - PLS - Highway:	19-48-4903-CA17Q2	
Van Trailer:	19-48-7061-SP11M6	

<u>INDEX NUMBER</u>	<u>DRAWING TYPE</u>	<u>DRAWING NUMBER</u>
85	Boxcar:	WR-52/114
	Flatbed:	WR-51/80
	On-Depot Movement:	19-48-4306-5-11Q1000
	Storage:	19-48-7137-SP1-3J4

<u>INDEX NUMBER</u>	<u>DRAWING TYPE</u>	<u>DRAWING NUMBER</u>
86	Boxcar:	19-48-8572-SP5J13
	End Opening ISO Container:	D-SARAC 4463
	End Opening ISO Container:	19-48-8548-SP15J44
	Flatbed:	19-48-8574-SP11J29
	Flatrack ISO Container:	19-48-7150-SP15J20
	MILVAN:	19-48-8547-SP15J43
	On-Depot Movement:	19-48-4306-5-11Q1000
	Side Opening ISO Container:	19-48-7110-SP15J11
	Storage:	19-48-8601-SP1-3-4-14-22J24
Van Trailer:	19-48-8573-SP11J28	

<u>INDEX NUMBER</u>	<u>DRAWING TYPE</u>	<u>DRAWING NUMBER</u>
87	Boxcar:	19-48-4084-5A1003
	End Opening ISO Container:	19-48-8616-SP15A1
	Flatbed:	19-48-4258-11A1006
	Flatrack ISO Container:	19-48-8619-SP15A4
	Half-High ISO Container:	19-48-8620-SP15A5
	MILVAN:	19-48-8617-SP15A2
	On-Depot Movement:	19-48-4306-5-11Q1000
	Side Opening ISO Container:	19-48-8618-SP15A3
	Standard Magazine:	19-48-4081-1-14A1003
	Storage:	19-48-4080-1-14A1002
	TOFC, Van Trailer, BHD:	19-48-4083-15A1002
Van Trailer:	19-48-4082-11A1004	

<u>INDEX NUMBER</u>	<u>DRAWING TYPE</u>	<u>DRAWING NUMBER</u>
88	Boxcar:	19-48-7130-SP5J5
	End Opening ISO Container:	19-48-8548-SP15J44
	Flatbed:	19-48-7132-SP11J10
	Flatrack ISO Container:	19-48-7150-SP15J20
	MILVAN:	19-48-8547-SP15J43
	On-Depot Movement:	19-48-4306-5-11Q1000
	Side Opening ISO Container:	19-48-7110-SP15J11
	Storage:	19-48-8600-SP1-3-4-14-22J23
Van Trailer:	19-48-7131-SP11J9	

<u>INDEX NUMBER</u>	<u>DRAWING TYPE</u>	<u>DRAWING NUMBER</u>
89	Boxcar:	19-48-4142-SP5M6
	On-Depot Movement:	19-48-4306-5-11Q1000
	Storage:	19-48-8604-SP1-3-4-14-22J26

<u>INDEX NUMBER</u>	<u>DRAWING TYPE</u>	<u>DRAWING NUMBER</u>
90	Boxcar:	MS-1325/179
	End Opening ISO Container:	19-48-4193-15PM1005
	Flatbed and Van Trailer:	MS-1320/171
	Flatrack ISO Container:	19-48-8525-SP15J27
	MILVAN:	19-48-7140-SP15J17
	On-Depot Movement:	19-48-4306-5-11Q1000
	Side Opening ISO Container:	19-48-8524-SP15J26
	Storage:	19-48-7066-SP1-3-4-14-22BM1
Van Trailer:	19-48-8522-SP11J17	

<u>INDEX NUMBER</u>	<u>DRAWING TYPE</u>	<u>DRAWING NUMBER</u>
91	Boxcar:	MS-1325/196
	End Opening ISO Container:	19-48-4193-15PM1005
	Flatbed and Van Trailer:	MS-1320/202
	Flatrack ISO Container:	19-48-7075-SP15J1
	MILVAN:	19-48-8521-SP15J24
	On-Depot Movement:	19-48-4306-5-11Q1000
	Side Opening ISO Container:	19-48-7108-SP15J9
	Storage:	19-48-7109-SP1-3J1
	Van Trailer:	19-48-8520-SP11J16

<u>INDEX NUMBER</u>	<u>DRAWING TYPE</u>	<u>DRAWING NUMBER</u>
92	Boxcar:	19-48-7043-SP5J1
	Flatbed:	19-48-8507-SP11M11
	On-Depot Movement:	19-48-4306-5-11Q1000
	Storage:	19-48-7035-SP1-14M1
	Van Trailer:	19-48-7040-SP11M5

<u>INDEX NUMBER</u>	<u>DRAWING TYPE</u>	<u>DRAWING NUMBER</u>
93	Boxcar:	19-48-7039-SP5M5
	On-Depot Movement:	19-48-4306-5-11Q1000
	Storage:	19-48-7042-SP1-14A3
	Van Trailer:	19-48-7041-SP11M4

<u>INDEX NUMBER</u>	<u>DRAWING TYPE</u>	<u>DRAWING NUMBER</u>
94	"DF" Boxcar:	19-48-7029-SP5M3
	Boxcar:	19-48-7013-SP5M1
	Igloo/Arch Type Magazine:	19-48-7023-SP1M2
	On-Depot Movement:	19-48-4306-5-11Q1000
	Storage:	19-48-7066-SP1-3-4-14-22BM1
	Stradley Magazine:	19-48-7024-SP14M2
	Van Trailer:	19-48-7030-SP11M2

<u>INDEX NUMBER</u>	<u>DRAWING TYPE</u>	<u>DRAWING NUMBER</u>
95	Boxcar:	19-48-8541-SP5J9
	End Opening ISO Container:	19-48-8544-SP15J40
	Flatbed:	WR-51/124
	MILVAN:	19-48-8543-SP15J39
	On-Depot Movement:	19-48-4306-5-11Q1000
	Side Opening ISO Container:	19-48-8545-SP15J41
	Storage:	19-48-7136-SP1-3J3
	Van Trailer:	19-48-8542-SP11J21

<u>INDEX NUMBER</u>	<u>DRAWING TYPE</u>	<u>DRAWING NUMBER</u>
96	Boxcar (CBU-59 in MK427- 0):	MS-1325/144
	Boxcar (CBU-59 in MK427-1):	MS-1325/180
	Boxcar (MK20 in MK427-0):	WR-52/72
	Boxcar (MK20 in MK427- 1):	MS-1325/174
	End Opening ISO Container:	19-48-8533-SP15J32
	Flatbed (CBU-59 in MK427 Mod 0):	WR-51/144
	Flatbed (CBU-59 in MK427 Mod 1):	MS-1320/172
	Flatbed (MK20 in MK427 Mod 0):	MS-1320/65
	Flatbed (MK20 in MK427 Mod 1):	MS-1320/162
	Flatrack ISO Container:	19-48-8535-SP15J34
	MILVAN:	19-48-8532-SP15J31
	On-Depot Movement:	19-48-4306-5-11Q1000
	Side Opening ISO Container:	19-48-8534-SP15J33
	Storage:	19-48-7135-SP1-3J2
Van Trailer:	19-48-8531-SP11J19	

<u>INDEX NUMBER</u>	<u>DRAWING TYPE</u>	<u>DRAWING NUMBER</u>
97	Boxcar:	19-48-4049-5PB1000
	End Opening ISO Container:	19-48-4259-15PB1004
	Flatbed:	19-48-4260-11PB1002
	MILVAN:	19-48-4262-15PB1005
	On-Depot Movement:	19-48-4306-5-11Q1000
	Side Opening ISO Container:	19-48-8615-SP15PB8
	Side Opening ISO (Complete Round):	19-48-8571-SP15M7
	Storage:	19-48-4094-1-14PB1001
	TOFC, Van Trailer, BHD:	19-48-4067-11-15PB1000
	Van Trailer:	19-48-4062-11PB1000

<u>INDEX NUMBER</u>	<u>DRAWING TYPE</u>	<u>DRAWING NUMBER</u>
98	Boxcar:	19-48-4552-CB5P1
	Flatbed:	19-48-4260-11PB1002
	On-Depot Movement:	19-48-4306-5-11Q1000
	Storage:	19-48-4500-CB1-14-22PB2
	TOFC, Van Trailer, BHD:	19-48-4067-11-15PB1000
	Van Trailer:	19-48-4062-11PB1000

<u>INDEX NUMBER</u>	<u>DRAWING TYPE</u>	<u>DRAWING NUMBER</u>
99	End Opening ISO Container:	19-48-4278-15PM1021
	MILVAN:	19-48-4277-15PM1020
	On-Depot Movement:	19-48-4306-5-11Q1000
	Side Opening ISO Container:	19-48-4279-15PM1022

<u>INDEX NUMBER</u>	<u>DRAWING TYPE</u>	<u>DRAWING NUMBER</u>
100	End Opening ISO Container:	19-48-4194-15PB1003
	On-Depot Movement:	19-48-4306-5-11Q1000

<u>INDEX NUMBER</u>	<u>DRAWING TYPE</u>	<u>DRAWING NUMBER</u>
101	End Opening ISO Container:	D-SARAC 4461
	On-Depot Movement:	19-48-4306-5-11Q1000

<u>INDEX NUMBER</u>	<u>DRAWING TYPE</u>	<u>DRAWING NUMBER</u>
102	Boxcar:	19-48-4164-5PF1002
	End Opening ISO Container:	19-48-8621-SP15PF1
	On-Depot Movement:	19-48-4306-5-11Q1000
	Side Opening ISO Container:	19-48-8608-SP15PF3
	Storage:	19-48-7058-SP1-2-3-4-14-22PF1
	Van Trailer:	19-48-4165-11PF1002

<u>INDEX NUMBER</u>	<u>DRAWING TYPE</u>	<u>DRAWING NUMBER</u>
103	40' End Opening ISO Container:	19-48-7139-SP15J16
	Boxcar:	19-48-7138-SP5J3
	End Opening ISO Container:	19-48-8538-SP15J36
	Flatbed:	19-48-8536-SP11J20
	Flatrack ISO Container:	19-48-8540-SP15J38
	MILVAN:	19-48-8537-SP15J35
	On-Depot Movement:	19-48-4306-5-11Q1000
	Side Opening ISO Container:	19-48-8539-SP15J37
	Storage:	19-48-8625-SP1-3-4-14-22J31
Van Trailer:	19-48-7071-SP11J2	

<u>INDEX NUMBER</u>	<u>DRAWING TYPE</u>	<u>DRAWING NUMBER</u>
104	End Opening ISO Container:	19-48-8623-SP15A6
	On-Depot Movement:	19-48-4306-5-11Q1000

<u>INDEX NUMBER</u>	<u>DRAWING TYPE</u>	<u>DRAWING NUMBER</u>
105	On-Depot Movement:	19-48-4306-5-11Q1000
	Storage:	19-48-4239-1-14PN1000
	Van Trailer:	19-48-4309-11PN1000

<u>INDEX NUMBER</u>	<u>DRAWING TYPE</u>	<u>DRAWING NUMBER</u>
106	Boxcar:	19-48-4206-5J1009
	End Opening ISO Container:	19-48-4328-15J1009
	MILVAN:	19-48-4327-15J1008
	On-Depot Movement:	19-48-4306-5-11Q1000
	Storage:	19-48-4209-1-3-4-14-22J1009
	Tactical Vehicle - PLS - ff Highway:	19-48-4903-CA17Q2
	Van Trailer:	19-48-4204-11J1004

<u>INDEX NUMBER</u>	<u>DRAWING TYPE</u>	<u>DRAWING NUMBER</u>
107	On-Depot Movement:	19-48-4306-5-11Q1000
	Storage:	19-48-4220-1-3-4-14-22PA1008

<u>INDEX NUMBER</u>	<u>DRAWING TYPE</u>	<u>DRAWING NUMBER</u>
108	6' Open Top ISO - Mixed:	19-48-4190-15PM1006
	Arch (26'-6" W) Mag - Loose:	19-48-4007/2-1M1000
	Arch (26'-6" W) Mag. - Palletized:	19-48-4144/2-1PM1000
	Arch (25' W) Mag. - Loose:	19-48-4007/3-1M1000
	Arch (25' W) Magazine - Palletized:	19-48-4144/5-1PM1000
	Arch (11' H) Mag. - Loose:	19-48-4007/4-1M1000
	Arch (11' H) Magazine - Palletized:	19-48-4144/4-1PM1000
	Arch (10' H) Mag. - Loose:	19-48-4007/5-1M1000
	Arch (10' H) Magazine - Palletized:	19-48-4144/3-1PM1000
	Boxcar:	MS-1325/164
	Boxcar - Loose:	19-48-4017-5M1002
	Corbetta Magazine - Loose:	19-48-4007/7-4M1000
	Corbetta Magazine - Palletized:	19-48-4144/9-4PM1000
	CROP:	19-48-4906-CA17Q7
	Dromedary:	19-48-4252-11Q1000
	End Opening ISO Container:	19-48-4154/28-15PM1002
	End Opening ISO - Mixed Loads:	19-48-4189-15PM1005
	European Boxcar:	19-48-4287-5PM1006
	Igloo Magazine - Loose:	19-48-4007/1-1M1000
	Igloo Magazine - Palletized:	19-48-4144/1-1PM1000
	Korean Gondola:	19-48-4253-5PQ1000
	MILVAN:	MS-1386/10
	On-Depot Movement:	19-48-4306-5-11Q1000
	Rectangular Magazine - Loose:	19-48-4007/6-3M1000
	Rectangular Magazine - Palletized:	19-48-4144/8-3PM1000
	Standard Magazine - Palletized:	19-48-4144/7-2PM1000
	Storage of Small Quantities/Lots:	19-48-4146-1-2-3-4-14-22Q1000
	Stradley Magazine - Palletized:	19-48-4144/6-14-22PM1000
	Tactical Vehicle - PLS - ff Highway:	19-48-4903-CA17Q2
	Tactical Vehicle - Steel Strap:	19-48-4900-CA17Q1
	Tactical Vehicle - Unit Basic Load:	19-48-4901/5-CA17Q2
	Tactical Vehicle - Web Strap:	19-48-4901/2-CA17Q2
	TOFC, Van, Palla-Gard:	19-48-4184-15PM1004
TOFC, Van Trailer, Mech - Palletized:	19-48-4100-15PM1000	
TOFC, Van Trailer, BHD - Loose:	19-48-4033-15M1000	
Van Trailer:	MS-1320/75	
Van Trailer - Loose:	19-48-4021-11M1000	

<u>INDEX NUMBER</u>	<u>DRAWING TYPE</u>	<u>DRAWING NUMBER</u>
109	6' Open Top ISO Container:	19-48-4187-15PA1007
	6' Open Top ISO - Mixed:	19-48-4190-15PM1006
	Basic Unitization Procedures:	19-48-4232-20PM1007
	Boxcar:	19-48-4246/17-5PM1005
	COAI:	ACV00053
	CROP:	19-48-4906-CA17Q7
	Dromedary:	19-48-4252-11Q1000
	End Opening ISO Container:	19-48-4249/17-15PM1011
	End Opening ISO - Mixed Loads:	19-48-4189-15PM1005
	European Boxcar:	19-48-4288-5PA1006
	MILVAN:	19-48-4248/17-15PM1010
	On-Depot Movement:	19-48-4306-5-11Q1000
	Side Opening ISO Container:	19-48-4271/17-15PM1015
	Storage:	19-48-4251/17-1-2-3-4-14-22PM1005
	Storage of Small Quantities/Lots:	19-48-4146-1-2-3-4-14-22Q1000
	Tactical Vehicle - PLS - Highway:	19-48-4903-CA17Q2
	Tactical Vehicle - Steel Strap:	19-48-4900-CA17Q1
	Tactical Vehicle - Unit Basic Load:	19-48-4901/5-CA17Q2
	Tactical Vehicle - Web Strap:	19-48-4901/4-CA17Q2
	TOFC, Van Trailer, BHD - Loose:	19-48-4033-15M1000
Van Trailer:	19-48-4247/17-11PM1005	

<u>INDEX NUMBER</u>	<u>DRAWING TYPE</u>	<u>DRAWING NUMBER</u>
110	Boxcar:	19-48-8582-SP5J14
	End Opening ISO Container:	19-48-8584-SP15J67
	Flatbed:	19-48-7078-SP11J1
	Flatrack ISO Container:	19-48-7090-SP15J4
	MILVAN:	19-48-8586-SP15J69
	On-Depot Movement:	19-48-4306-5-11Q1000
	Side Opening ISO Container:	19-48-8585-SP15J68
	Storage:	19-48-7089-SP1-3-4-14-22J21
	Van Trailer:	19-48-8583-SP11J30

<u>INDEX NUMBER</u>	<u>DRAWING TYPE</u>	<u>DRAWING NUMBER</u>
111	Boxcar:	19-48-5516-GM5RS1
	Bulkhead Flatcar:	19-48-5542-GM5RS4
	CROP:	19-48-4905/10A-CA17Q6
	End Opening ISO Container:	19-48-5968-GM15RS2
	European Boxcar:	19-48-5517-GM5RS2
	Flatbed:	19-48-5971-GM11RS2
	Flatrack ISO Container:	19-48-8195-GM15RS4
	Korean Covered Flat:	19-48-8246-GM5RS56
	Korean Gondola:	19-48-5541-GM5RS3
	Load and Roll Pallet in ISO Container:	19-48-8184-GM15RS3
	MILVAN:	19-48-5967-GM15RS1
	On-Depot Movement:	19-48-4306-5-11Q1000
	PLS Flatrack (M1):	19-48-4905/10-CA17Q6
	Protection for Air Shipment:	19-48-5276-GM20MS2
	Shiploading:	19-48-5778-GM18RS1
	Side Opening ISO Container:	19-48-8196-GM15RS5
	Storage (MLRS):	19-48-5245-GM1-3-4-14-22RS1
Storage (GMLRS):	19-48-5278-GM1-3-4-14-22RS2	
Tactical Vehicle:	19-48-8152-GM17RS1	
Van Trailer:	19-48-5966-GM11RS1	

<u>INDEX NUMBER</u>	<u>DRAWING TYPE</u>	<u>DRAWING NUMBER</u>
112	Boxcar:	19-48-8564-SP5J12
	End Opening ISO Container:	19-48-8567-SP15J56
	Flatbed:	19-48-7125-SP11J7
	Flatrack ISO Container:	19-48-8569-SP15J58
	MILVAN:	19-48-8566-SP15J55
	On-Depot Movement:	19-48-4306-5-11Q1000
	Side Opening ISO Container:	19-48-8568-SP15J57
	Storage:	19-48-7124-SP1-2-3-4-14-22J20
Van Trailer:	19-48-8565-SP11J25	

<u>INDEX NUMBER</u>	<u>DRAWING TYPE</u>	<u>DRAWING NUMBER</u>
113	6' Open Top ISO - Mixed:	19-48-4190-15PM1006
	Dromedary:	19-48-4252-11Q1000
	End Opening ISO Container:	19-48-5988-GM15JV2
	End Opening ISO - Mixed Loads:	19-48-4189-15PM1005
	MILVAN:	19-48-5987-GM15JV1
	On-Depot Movement:	19-48-4306-5-11Q1000
	Retrograde Pallet Box:	19-48-5264/8-GM20MS1
	Side Opening ISO Container:	19-48-5989-GM15JV3
	Storage:	19-48-5265-GM1-3-4-14-22JV1
	Storage of Small Quantities/Lots:	19-48-4146-1-2-3-4-14-22Q1000
	Tactical Vehicle:	19-48-5990-GM17JV1
Tactical Vehicle - PLS:	19-48-8217-GM17MS1	
Van Trailer:	19-48-5986-GM11JV1	

<u>INDEX NUMBER</u>	<u>DRAWING TYPE</u>	<u>DRAWING NUMBER</u>
114	Boxcar:	19-48-8626-SP5J16
	End Opening ISO Container:	19-48-8629-SP15J77
	Flatbed Trailer:	19-48-8628-SP11J34
	Flatrack ISO Container:	19-48-8632-SP15J80
	MILVAN:	19-48-8631-SP15J79
	On-Depot Movement:	19-48-4306-5-11Q1000
	Side Opening ISO Container:	19-48-8630-SP15J78
	Storage:	19-48-8633-SP1-3-4-14-22J32
	Van Trailer:	19-48-8627-SP11J33

<u>INDEX NUMBER</u>	<u>DRAWING TYPE</u>	<u>DRAWING NUMBER</u>
115	Boxcar:	19-48-8560-SP5J11
	End Opening ISO Container:	19-48-8510-SP15J23
	Flatbed:	19-48-7094-SP11J3
	Flatrack ISO Container:	19-48-7095-SP15J6
	MILVAN:	19-48-8562-SP15J53
	On-Depot Movement:	19-48-4306-5-11Q1000
	Side Opening ISO Container:	19-48-8563-SP15J54
	Storage:	19-48-7059/2A-SP1-3-4-14-22J1
	Van Trailer:	19-48-8561-SP11J24

<u>INDEX NUMBER</u>	<u>DRAWING TYPE</u>	<u>DRAWING NUMBER</u>
116	Boxcar:	MS-1325/178
	End Opening ISO Container:	19-48-8643-SP15PB12
	Flatbed Trailer:	19-48-4295-11PB1007
	Flatrack ISO Container:	19-48-7073-SP15PB1
	MILVAN:	19-48-8642-SP15PB11
	On-Depot Movement:	19-48-4306-5-11Q1000
	Side Opening ISO Container:	19-48-7126-SP15PB1006
	Side Opening ISO (Comp Rd):	19-48-7106-SP15M2
	Side Opening ISO (GBU-12):	19-48-7112-SP15M4
	Side Opening ISO (Hi Drag):	19-48-8724-SP15M18
	Side Opening ISO (RIBS):	19-48-8795-SP15PB19
	Side Open ISO (Shockgard):	19-48-7126A-SP15PB1006
	Storage:	19-48-4105/2-1-3-4-14-22PB1003
	TOFC, Van Trailer:	19-48-4304-15PB1007
Van and Flatbed Trailer:	MS-1320/170	
Van Trailer (Loose):	19-48-4060-11B1003	

<u>INDEX NUMBER</u>	<u>DRAWING TYPE</u>	<u>DRAWING NUMBER</u>
117	Boxcar:	19-48-8556-SP5J10
	End Opening ISO Container:	19-48-8559-SP15J52
	Flatbed:	19-48-7097-SP11J4
	Flatrack ISO Container:	19-48-7098-SP15J7
	MILVAN:	19-48-8558-SP15J51
	On-Depot Movement:	19-48-4306-5-11Q1000
	Side Opening ISO Container:	19-48-7134-SP15J15
	Storage:	19-48-7059/3B-SP1-3-4-14-22J11
	Van Trailer:	19-48-8557-SP11J23

<u>INDEX NUMBER</u>	<u>DRAWING TYPE</u>	<u>DRAWING NUMBER</u>
118	Boxcar:	19-48-7031-SP5M4
	End Opening ISO Container:	19-48-8578-SP15J62
	Flatbed:	19-48-8512-SP11J27
	Flatrack ISO Container:	19-48-8581-SP15J65
	MILVAN:	19-48-8580-SP15J64
	On-Depot Movement:	19-48-4306-5-11Q1000
	Side Opening ISO Container:	19-48-8579-SP15J63
	Storage:	19-48-7037-SP1-14M2
	Van Trailer:	19-48-7038-SP11M3

<u>INDEX NUMBER</u>	<u>DRAWING TYPE</u>	<u>DRAWING NUMBER</u>
119	Boxcar:	19-48-7031-SP5M4
	End Opening ISO Container:	19-48-8575-SP15J59
	Flatbed:	19-48-8651-SP11J34
	Flatrack ISO Container:	19-48-8511-SP15J66
	MILVAN:	19-48-8577-SP15J61
	On-Depot Movement:	19-48-4306-5-11Q1000
	Side Opening ISO Container:	19-48-8576-SP15J60
	Storage:	19-48-7037-SP1-14M2
Van Trailer:	19-48-7038-SP11M3	

<u>INDEX NUMBER</u>	<u>DRAWING TYPE</u>	<u>DRAWING NUMBER</u>
120	6' Open Top ISO Container:	19-48-4187-15PA1007
	6' Open Top ISO - Mixed:	19-48-4190-15PM1006
	Basic Unitization Procedures:	19-48-4116-20PA1002
	Boxcar:	19-48-4115-5PA1002
	Boxcar - Loose:	19-48-1634-5A29
	Dromedary:	19-48-4252-11Q1000
	End Opening ISO Container:	19-48-4153-15PA1002
	End Opening ISO - Mixed Loads:	19-48-4189-15PM1005
	European Boxcar:	19-48-4288-5PA1006
	Index of Appendices:	19-48-4116/0-20PA1002
	Korean Gondola:	19-48-4253-5PQ1000
	MILVAN:	19-48-4166-15PA1003
	On-Depot Movement:	19-48-4306-5-11Q1000
	Side Opening ISO Container:	19-48-4267-15PA1009
	Storage:	19-48-4308-1-3-4-14-22PA10011
	Storage - Loose:	19-48-4005-1-2-3-4-14-22A1000
	Storage of Small Quantities/Lots:	19-48-4146-1-2-3-4-14-22Q1000
	Tactical Vehicle - PLS - Highway:	19-48-4903-CA17Q2
	Tactical Vehicle - Steel Strap:	19-48-4900-CA17Q1
	Tactical Vehicle - Unit Basic Load:	19-48-4901/5-CA17Q2
	Tactical Vehicle - Web Strap:	19-48-4901/4-CA17Q2
	TOFC, Van, Palla-Gard:	19-48-4182-15PA1006
	TOFC, Van Trailer, BHD:	19-48-4036-15PA1000
	TOFC, Van Trailer, BHD - Loose:	19-48-4037-15A1000
	TOFC, Van Trailer, Mech:	19-48-4028-15P1
	TOFC, Van Trailer, Mech - Loose:	19-48-4048-11-15A1000
	Van Trailer:	19-48-4117-11PA1003
Van Trailer - Loose:	19-48-4013-11A1001	

<u>INDEX NUMBER</u>	<u>DRAWING TYPE</u>	<u>DRAWING NUMBER</u>
121	6' Open Top ISO Container:	19-48-4187-15PA1007
	6' Open Top ISO - Mixed:	19-48-4190-15PM1006
	Boxcar:	19-48-5508-GM5DR1
	Dromedary:	19-48-4252-11Q1000
	End Opening ISO Container:	19-48-8187-GM15DR2
	End Opening ISO - Mixed Loads:	19-48-4189-15PM1005
	European Boxcar:	19-48-4288-5PA1006
	MILVAN:	19-48-5935-GM15DR1
	On-Depot Movement:	19-48-4306-5-11Q1000
	Portable Container:	19-48-5983-GM16DR1
	Retrograde Pallet Box:	19-48-5264/2-GM20MS1
	Side Opening ISO Container:	19-48-8202-GM15DR3
	Storage:	19-48-5237-GM1-3-4-14-22DR1
	Storage of Small Quantities/Lots:	19-48-4146-1-2-3-4-14-22Q1000
	Tactical Vehicle:	19-48-5992-GM17DR1
	Tactical Vehicle - PLS:	19-48-8217-GM17MS1
	Van Trailer:	19-48-5928-GM11DR1

<u>INDEX NUMBER</u>	<u>DRAWING TYPE</u>	<u>DRAWING NUMBER</u>
122	Boxcar:	19-48-8526-SP5J8
	End Opening ISO Container:	19-48-8529-SP15J29
	Flatbed:	19-48-7105-SP11J5
	Flatrack ISO Container:	19-48-7086-SP15J3
	MILVAN:	19-48-8528-SP15J28
	On-Depot Movement:	19-48-4306-5-11Q1000
	Side Opening ISO Container:	19-48-8530-SP15J30
	Storage:	19-48-8602-SP1-3-4-14-22J25
Van Trailer:	19-48-8527-SP11J18	

<u>INDEX NUMBER</u>	<u>DRAWING TYPE</u>	<u>DRAWING NUMBER</u>
123	Boxcar:	19-48-5539-GM5AT1
	CROP:	19-48-4905/24-CA17Q6
	End Opening ISO Container:	19-48-8182-GM15AT2
	End/Side Opening ISO Container:	19-48-8901-GM15AT9
	Flatbed:	19-48-8181-GM11AT2
	Flatrack ISO Container:	19-48-8183-GM15AT3
	Korean Gondola:	19-48-8226-GM5AT3
	Load and Roll Pallet in ISO Cont.:	19-48-8198-GM15AT5
	MILVAN:	19-48-8178-GM15AT1
	On-Depot Movement:	19-48-4306-5-11Q1000
	Protection for Air Shipment:	19-48-5276-GM20MS2
	Shiplading:	19-48-5786-GM18AT1
	Side Opening ISO Container:	19-48-8197-GM15AT4
	Storage:	19-48-5262-GM1-3-4-14-22AT1
	Tactical Vehicle:	19-48-5991-GM17AT1
	Tactical Vehicle - PLS:	19-48-8217-GM17MS1
	Van Trailer:	19-48-8179-GM11AT1

<u>INDEX NUMBER</u>	<u>DRAWING TYPE</u>	<u>DRAWING NUMBER</u>
124	Boxcar:	19-48-2464-5B33
	Flatbed Trailer:	19-48-4261-11PB1003
	On-Depot Movement:	19-48-4306-5-11Q1000

<u>INDEX NUMBER</u>	<u>DRAWING TYPE</u>	<u>DRAWING NUMBER</u>
125	Boxcar:	19-48-7072-SP5J2
	End Opening ISO Container:	19-48-8552-SP15J47
	Flatbed:	19-48-7099-SP11M9
	Flatrack ISO Container:	19-48-7100-SP15J8
	MILVAN:	19-48-8550-SP15J45
	On-Depot Movement:	19-48-4306-5-11Q1000
	Side Opening ISO Container:	19-48-8551-SP15J46
	Storage:	19-48-7101-SP1-3-4-14-22J11
Van Trailer:	19-48-8549-SP11J22	

<u>INDEX NUMBER</u>	<u>DRAWING TYPE</u>	<u>DRAWING NUMBER</u>
126	Boxcar:	19-48-8505-SP5J7
	End Opening ISO Container:	19-48-8605-SP15J74
	Flatbed:	19-48-7116-SP11M10
	Flatrack ISO Container:	19-48-7117-SP15J13
	MILVAN:	19-48-8506-SP15J22
	On-Depot Movement:	19-48-4306-5-11Q1000
	Side Opening ISO Container:	19-48-7118-SP15J14
	Storage:	19-48-7120-SP1-3-4-14M1
	Van Trailer:	19-48-8504-SP11J15

<u>INDEX NUMBER</u>	<u>DRAWING TYPE</u>	<u>DRAWING NUMBER</u>
127	End Opening ISO Container:	19-48-4275-15PM1018
	On-Depot Movement:	19-48-4306-5-11Q1000
	Side Opening ISO Container:	19-48-4276-15PM1019

128 through 130 Not used

<u>INDEX NUMBER</u>	<u>DRAWING TYPE</u>	<u>DRAWING NUMBER</u>
131	6' Open Top ISO Container:	19-48-4187-15PA1007
	6' Open Top ISO - Mixed:	19-48-4190-15PM1006
	Aerial Delivery Unit:	19-48-5240-GM20SR2
	Boxcar:	19-48-5514-GM5SR1
	CROP:	19-48-4906/8-CA17Q7
	Dromedary:	19-48-4252-11Q1000
	End Opening ISO Container:	19-48-8188-GM15SR2
	End Opening ISO - Mixed Loads:	19-48-4189-15PM1005
	European Boxcar:	19-48-4288-5PA1006
	MILVAN:	19-48-5948-GM15SR1
	On-Depot Movement:	19-48-4306-5-11Q1000
	Portable Container:	19-48-5982-GM16SR1
	Retrograde Pallet Box:	19-48-5264/7-GM20MS1
	Side Opening ISO Container:	19-48-8203-GM15SR3
	Storage:	19-48-5238-GM1-14SR1
	Storage of Small Quantities/Lots:	19-48-4146-1-2-3-4-14-22Q1000
	Tactical Vehicle:	19-48-8185-GM17SR1
	Tactical Vehicle - PLS:	19-48-8217-GM17MS1
	Van Trailer:	19-48-5947-GM11SR1

<u>INDEX NUMBER</u>	<u>DRAWING TYPE</u>	<u>DRAWING NUMBER</u>
132	6' Open Top ISO Container:	19-48-4187-15PA1007
	6' Open Top ISO - Mixed:	19-48-4190-15PM1006
	Boxcar:	19-48-5485-GM5SH1
	Dromedary:	19-48-4252-11Q1000
	End Opening ISO Container:	19-48-8191-GM15SH2
	End Opening ISO - Mixed Loads:	19-48-4189-15PM1005
	European Boxcar:	19-48-4288-5PA1006
	MILVAN:	19-48-5931-GM15SH1
	On-Depot Movement:	19-48-4306-5-11Q1000
	Side Opening ISO Container:	19-48-8205-GM15SH3
	Storage:	19-48-5221-GM1-14SH1
	Storage of Small Quantities/Lots:	19-48-4146-1-2-3-4-14-22Q1000
	TOFC, Van Trailer, BHD:	19-48-5919-GM15A96
	Tactical Vehicle:	19-48-5902-GM17SH1
	Tactical Vehicle - PLS:	19-48-8217-GM17MS1
	Van Trailer:	19-48-5906-GM11SH2

<u>INDEX NUMBER</u>	<u>DRAWING TYPE</u>	<u>DRAWING NUMBER</u>
133	6' Open Top ISO Container:	19-48-4187-15PA1007
	6' Open Top ISO - Mixed:	19-48-4190-15PM1006
	Boxcar:	19-48-5489-GM5TO1
	CROP:	19-48-4905/20-CA17Q6
	Dromedary:	19-48-4252-11Q1000
	End Opening ISO Container:	19-48-8192-GM15TO3
	End Opening ISO - Mixed Loads:	19-48-4189-15PM1005
	European Boxcar:	19-48-4288-5PA1006
	MILVAN:	19-48-5933-GM15TO1
	On-Depot Movement:	19-48-4306-5-11Q1000
	Retrograde Pallet Box:	19-48-5264/6-GM20MS1
	Side Opening ISO Container:	19-48-8206-GM15TO4
	Storage:	19-48-5230-GM1-3-4-14-22TO1
	Storage of Small Quantities/Lots:	19-48-4146-1-2-3-4-14-22Q1000
	Tactical Vehicle:	19-48-8186-GM17TO1
	Tactical Vehicle - PLS:	19-48-8217-GM17MS1
	TOFC, Van Trailer, BHD:	19-48-5746-GM15TO2
	Van Trailer:	19-48-5912-GM11TO2

<u>INDEX NUMBER</u>	<u>DRAWING TYPE</u>	<u>DRAWING NUMBER</u>
134	"DF" Boxcar (Unpalletized):	19-48-5483-GM5K3
	6' Open Top ISO Container:	19-48-4187-15PA1007
	6' Open Top ISO - Mixed Loads:	19-48-4190-15PM1006
	Boxcar (Palletized):	19-48-5496-GM5CH1
	Boxcar (Unpalletized):	19-48-5493-GM5K2
	End Opening ISO Container:	19-48-8190-GM15CH2
	End Opening ISO - Mixed Loads:	19-48-4189-15PM1005
	European Boxcar:	19-48-4288-5PA1006
	MILVAN (Unpalletized):	19-48-5944-GM15CH1
	On-Depot Movement:	19-48-4306-5-11Q1000
	Shiploading (Palletized):	19-48-5776-GM18CH1
	Side Opening ISO Container:	19-48-8201-GM15CH3
	Storage:	19-48-5231-GM1-14-22CH1
	Storage of Small Quantities/Lots:	19-48-4146-1-2-3-4-14-22Q1000
	TOFC, Van, Mech (Unpalletized):	19-48-5918-GM15K2
	Tactical Vehicle (Unpalletized):	19-48-5917-GM15K1
	Tactical Vehicle - PLS:	19-48-8217-GM17MS1
	Van Trailer (Palletized):	19-48-5749-GM11CH1
	Van Trailer (Unpalletized):	19-48-5916-GM11K2

<u>INDEX NUMBER</u>	<u>DRAWING TYPE</u>	<u>DRAWING NUMBER</u>
135	End Opening ISO Container:	19-48-8645-SP15J82
	On-Depot Movement:	19-48-4306-5-11Q1000
	Storage:	19-48-7059/4B-SP1-2-3-4-14-22J15

<u>INDEX NUMBER</u>	<u>DRAWING TYPE</u>	<u>DRAWING NUMBER</u>
136	6' Open Top ISO - Mixed:	19-48-4190-15PM1006
	Arch (26'-6" W) Magazine - Loose:	19-48-4007/2-1M1000
	Arch (25' W X 12' H) Mag. - Loose:	19-48-4007/3-1M1000
	Arch (11' H) Type Mag. - Loose:	19-48-4007/4-1M1000
	Arch (10' H) Type Mag. - Loose:	19-48-4007/5-1M1000
	Basic Unitization Procedures:	19-48-4231-20PM1006
	Boxcar:	19-48-4242/100-5PM1004
	Boxcar - Loose:	19-48-4017-5M1002
	Corbetta Magazine - Loose:	19-48-4007/7-4M1000
	Dromedary:	19-48-4252-11Q1000
	End Opening ISO Container:	19-48-4245/100-15PM1009
	End Opening ISO - Mixed Loads:	19-48-4189-15PM1005
	European Boxcar:	19-48-4287-5PA1006
	Igloo Magazine - Loose:	19-48-4007/1-1M1000
	Index of Appendices:	19-48-4231/0-20PM1006
	MILVAN:	19-48-4244/100-15PM1008
	On-Depot Movement:	19-48-4306-5-11Q1000
	Rectangular Magazine - Loose:	19-48-4007/6-3M1000
	Side Opening ISO Container:	19-48-4272/100-15PM1016
	Storage:	19-48-4250/100-1-3-4-14-22PM1004
	Storage of Small Quantities/Lots:	19-48-4146-1-2-3-4-14-22Q1000
	Tactical Vehicle - PLS - Highway:	19-48-4903-CA17Q2
	Tactical Vehicle - Steel Strap:	19-48-4900-CA17Q1
	Tactical Vehicle - Unit Basic Load:	19-48-4901/5-CA17Q2
	Tactical Vehicle - Web Strap:	19-48-4901/3-CA17Q2
	TOFC, Van Trailer, BHD - Loose:	19-48-4033-15M1000
	TOFC, Van Trailer, Mech:	19-48-4100-15PM1000
Van Trailer - Loose:	19-48-4021-11M1000	

<u>INDEX NUMBER</u>	<u>DRAWING TYPE</u>	<u>DRAWING NUMBER</u>
137	6' Open Top ISO - Mixed:	19-48-4190-15PM1006
	Boxcar:	19-48-5525-GM5HF1
	CROP:	19-48-4906/9-CA17Q7
	CROP (Longbow):	19-48-4906/10-CA17Q7
	CROP (Modified Pallet Unit):	19-48-4906/104-CA17Q7
	Dromedary:	19-48-4252-11Q1000
	End Opening ISO Container:	19-48-8150-GM15HF2
	End Opening ISO - Mixed Loads:	19-48-4189-15PM1005
	European Boxcar:	19-48-4288-5PA1006
	Materials Handling Equipment:	ACV00820
	Materials Handling Equipment:	ACV00818
	Materials Handling Equipment:	ACV00821
	MILVAN:	19-48-5979-GM15HF1
	On-Depot Movement:	19-48-4306-5-11Q1000
	Side Opening ISO Container:	19-48-8229-GM15HF3
	Storage:	19-48-5251-GM1-3-4-14-22HF1
	Storage of Small Quantities/Lots:	19-48-4146-1-2-3-4-14-22Q1000
Tactical Vehicle:	19-48-8151-GM17HF1	
Tactical Vehicle - PLS:	19-48-8217-GM17MS1	
Van Trailer:	19-48-5975-GM11HF1	

<u>INDEX NUMBER</u>	<u>DRAWING TYPE</u>	<u>DRAWING NUMBER</u>
138	6' Open Top ISO - Mixed:	19-48-4190-15PM1006
	Boxcar:	19-48-8210-GM5TO2
	Dromedary:	19-48-4252-11Q1000
	End Opening ISO Container:	19-48-8211-GM15TO5
	End Opening ISO - Mixed Loads:	19-48-4189-15PM1005
	European Boxcar:	19-48-4288-5PA1006
	MILVAN:	19-48-8213-GM15TO7
	On-Depot Movement:	19-48-4306-5-11Q1000
	Side Opening ISO Container:	19-48-8212-GM15TO6
	Storage:	19-48-5269-GM1-3-4-14-22TO2
	Storage of Small Quantities/Lots:	19-48-4146-1-2-3-4-14-22Q1000
	Tactical Vehicle:	19-48-8214-GM17TO2
	Tactical Vehicle - PLS:	19-48-8217-GM17MS1
	Van Trailer:	19-48-8215-GM11TO3

<u>INDEX NUMBER</u>	<u>DRAWING TYPE</u>	<u>DRAWING NUMBER</u>
139	End Opening ISO Container:	19-48-8646-SP15J83
	On-Depot Movement:	19-48-4306-5-11Q1000
	Storage:	19-48-7059/4C-SP1-3-4-14-22J16

<u>INDEX NUMBER</u>	<u>DRAWING TYPE</u>	<u>DRAWING NUMBER</u>
140	Boxcar:	19-48-7080-SP5PB1000
	End Opening ISO Container:	19-48-7082-SP15PB1004
	Flatbed:	19-48-7084-SP11PB1001
	Flatrack ISO Container:	19-48-7085-SP15PB1005
	MILVAN:	19-48-7081-SP15PB1003
	On-Depot Movement:	19-48-4306-5-11Q1000
	Side Opening ISO Container:	19-48-8609-SP15PB3
	Storage:	19-48-8655-SP1-3-4-14-22PB3
	Van Trailer:	19-48-7083-SP11PB1000

<u>INDEX NUMBER</u>	<u>DRAWING TYPE</u>	<u>DRAWING NUMBER</u>
141	Boxcar:	19-48-7147-SP5J6
	End Opening ISO Container:	19-48-7148-SP15J18
	Flatbed:	19-48-7145-SP11J12
	Flatrack ISO Container:	19-48-7076-SP15J2
	MILVAN:	19-48-7149-SP15J19
	On-Depot Movement:	19-48-4306-5-11Q1000
	Side Opening ISO Container:	19-48-7114-SP15J12
	Storage:	19-48-8501-1-14-22M1
	Van Trailer:	19-48-7146-SP11J13

<u>INDEX NUMBER</u>	<u>DRAWING TYPE</u>	<u>DRAWING NUMBER</u>
142	End Opening ISO Container:	19-48-8652-SP15J87
	Flatbed:	19-48-7103-SP11J6
	MILVAN:	19-48-8654-SP15J89
	On-Depot Movement:	19-48-4306-5-11Q1000
	Side Opening ISO Container:	19-48-8653-SP15J88
Storage:	19-48-7104-SP1-3-4-14-22J19	

<u>INDEX NUMBER</u>	<u>DRAWING TYPE</u>	<u>DRAWING NUMBER</u>
143	Boxcar:	19-48-7143-SP5K3
	End Opening ISO Container:	19-48-7144-SP15K3
	Flatbed:	19-48-7121-SP11K3
	Flatrack ISO Container:	19-48-7122-SP15K2
	MILVAN:	19-48-8503-SP15K5
	On-Depot Movement:	19-48-4306-5-11Q1000
	Side Opening ISO Container:	19-48-8502-SP15K4
	Storage:	19-48-7123-SP1-3-4-14-22K1
	Van Trailer:	19-48-7142-SP11K4

<u>INDEX NUMBER</u>	<u>DRAWING TYPE</u>	<u>DRAWING NUMBER</u>
144	6' Open Top ISO - Mixed:	19-48-4190-15PM1006
	Arch (26'-6" W) Magazine - Loose:	19-48-4007/2-1M1000
	Arch (25' W x 12' H) Mag.- Loose:	19-48-4007/3-1M1000
	Arch Type (11' H) Mag. - Loose:	19-48-4007/4-1M1000
	Arch Type (10' H) Mag. - Loose:	19-48-4007/5-1M1000
	Basic Unitization Procedures:	19-48-4079-20PM1002
	Boxcar:	19-48-4212/15-5PM1003
	Boxcar - Loose:	19-48-4017-5M1002
	Corbetta Magazine - Loose:	19-48-4007/7-4M1000
	Dromedary:	19-48-4252-11Q1000
	End Opening ISO Container:	19-48-4215/15-15PM1013
	End Opening ISO - Mixed Loads:	19-48-4189-15PM1005
	European Boxcar:	19-48-4287-5PM1006
	Igloo Magazine - Loose:	19-48-4007/1-1M1000
	Index of Appendices:	19-48-4079/0-20PM1002
	MILVAN:	19-48-4214/15-15PM1006
	On-Depot Movement:	19-48-4306-5-11Q1000
	Rectangular Magazine - Loose:	19-48-4007/6-3M1000
	Side Opening ISO Containers:	19-48-4265/15-15PM1014
	Storage:	19-48-4145/14-1-3-4-14-22PM1003
	Storage of Small Quantities/Lots:	19-48-4146-1-2-3-4-14-22Q1000
	Tactical Vehicle - PLS - Highway:	19-48-4903-CA17Q2
	Tactical Vehicle - Steel Strap:	19-48-4900-CA17Q1
	Tactical Vehicle - Unit Basic Load:	19-48-4901/5-CA17Q2
	Tactical Vehicle - Web Strap:	19-48-4901/3-CA17Q2
	TOFC, Van Trailer, BHD - Loose:	19-48-4033-15M1000
	TOFC, Van Trailer, Mech:	19-48-4100-15PM1000
	Van Trailer - Loose:	19-48-4021-11M1000

<u>INDEX NUMBER</u>	<u>DRAWING TYPE</u>	<u>DRAWING NUMBER</u>
145	End Opening ISO Container:	19-48-8658-SP15J92
	Flatbed:	MS-1320/188
	MILVAN:	19-48-8656-SP15J91
	On-Depot Movement:	19-48-4306-5-11Q1000
	Storage:	19-48-8634-SP1-3-4-14-22J36
	Side Opening ISO Container:	19-48-8657-SP15J93
Van Trailer:	19-48-8740-SP11J111	

<u>INDEX NUMBER</u>	<u>DRAWING TYPE</u>	<u>DRAWING NUMBER</u>
146	End Opening ISO Container:	19-48-8647-SP15J84
	On-Depot Movement:	19-48-4306-5-11Q1000

<u>INDEX NUMBER</u>	<u>DRAWING TYPE</u>	<u>DRAWING NUMBER</u>
147	End Opening ISO Container:	19-48-8622-SP15A7
	On-Depot Movement:	19-48-4306-5-11Q1000

<u>INDEX NUMBER</u>	<u>DRAWING TYPE</u>	<u>DRAWING NUMBER</u>
148	End Opening ISO Container:	19-48-8644-SP15J81
	On-Depot Movement:	19-48-4306-5-11Q1000
	Side Opening ISO Container:	19-48-8650-SP15J87
	Storage:	19-48-7059/4A-SP1-3-4-14-22J14

<u>INDEX NUMBER</u>	<u>DRAWING TYPE</u>	<u>DRAWING NUMBER</u>
149	End Opening ISO Container:	19-48-8649-SP15J86
	Flatbed:	MS-1320/165
	On-Depot Movement:	19-48-4306-5-11Q1000

<u>INDEX NUMBER</u>	<u>DRAWING TYPE</u>	<u>DRAWING NUMBER</u>
150	6' Open Top ISO - Mixed:	19-48-4190-15PM1006
	Arch (26'-6" W) Magazine - Loose:	19-48-4007/2-1M1000
	Arch (25' W X 12' H) Mag. - Loose:	19-48-4007/3-1M1000
	Arch (11' H) Type Mag. - Loose:	19-48-4007/4-1M1000
	Arch (10' H) Type Mag. - Loose:	19-48-4007/5-1M1000
	Basic Unitization Procedures:	19-48-4079-20PM1002
	Boxcar - Loose:	19-48-4017-5M1002
	Corbetta Magazine - Loose:	19-48-4007/7-4M1000
	CROP:	19-48-4906-CA17Q7
	Dromedary:	19-48-4252-11Q1000
	End Opening ISO Containers:	19-48-4215/14-15PM1013
	End Opening ISO - Mixed Loads:	19-48-4189-15PM1005
	European Boxcar:	19-48-4287-5PM1006
	Igloo Magazine - Loose:	19-48-4007/1-1M1000
	Index of Appendices:	19-48-4079/0-20PM1002
	MILVAN:	19-48-4214/14-15PM1006
	On-Depot Movement:	19-48-4306-5-11Q1000
	Rectangular Magazine - Loose:	19-48-4007/6-3M1000
	Side Opening ISO Containers:	19-48-4265/14-15PM1014
	Storage:	19-48-4145/13A-1-2-3-4-14-22PM1003
	Storage of Small Quantities/Lots:	19-48-4146-1-2-3-4-14-22Q1000
	Tactical Vehicle - PLS - Highway:	19-48-4903-CA17Q2
	Tactical Vehicle - Steel Strap:	19-48-4900-CA17Q1
	Tactical Vehicle - Unit Basic Load:	19-48-4901/5-CA17Q2
	Tactical Vehicle - Web Strap:	19-48-4901/3-CA17Q2
	TOFC, Van Trailer, BHD - Loose:	19-48-4033-15M1000
TOFC, Van Trailer, Mech:	19-48-4100-15PM1000	
Van Trailer - Loose:	19-48-4021-11M1000	

<u>INDEX NUMBER</u>	<u>DRAWING TYPE</u>	<u>DRAWING NUMBER</u>
151	End Opening ISO Container:	19-48-8661-SP15J95
	Flatbed:	MS-1320/197
	Flatrack ISO Container:	19-48-8750-SP15J134
	MILVAN:	19-48-8659-SP15J94
	On-Depot Movement:	19-48-4306-5-11Q1000
	Side Opening ISO Containers:	19-48-8660-SP15J96
	Storage:	19-48-8638-SP1-3-4-14-22J33
	Van Trailer:	19-48-8751-SP11J114

<u>INDEX NUMBER</u>	<u>DRAWING TYPE</u>	<u>DRAWING NUMBER</u>
152	Flatbed:	MS-1320/196
	On-Depot Movement:	19-48-4306-5-11Q1000
	Storage:	19-48-8636-SP1-3-4-14-22J35
	Van Trailer:	19-48-8748-SP11J113

<u>INDEX NUMBER</u>	<u>DRAWING TYPE</u>	<u>DRAWING NUMBER</u>
153	End Opening ISO Container:	19-48-8753-SP15J135
	Flatbed:	MS-1320/226
	MILVAN:	19-48-8754-SP15J136
	On-Depot Movement:	19-48-4306-5-11Q1000
	Side Opening ISO Container:	19-48-8755-SP15J137
	Storage:	19-48-8639-SP1-3-4-14-22J38
	Van Trailer:	19-48-8757-SP11J115

<u>INDEX NUMBER</u>	<u>DRAWING TYPE</u>	<u>DRAWING NUMBER</u>
154	End Opening ISO Container:	19-48-8742-SP15J130
	Flatbed:	MS-1320/169
	MILVAN:	19-48-8743-SP15J131
	On-Depot Movement:	19-48-4306-5-11Q1000
	Side Opening ISO Container:	19-48-8744-SP15J132
	Storage:	19-48-8635-SP1-3-4-14-22J34
	Van Trailer:	19-48-8746-SP11J112

<u>INDEX NUMBER</u>	<u>DRAWING TYPE</u>	<u>DRAWING NUMBER</u>
155	End Opening ISO Container:	19-48-8732-SP15J122
	Flatbed:	8411406
	MILVAN:	19-48-8733-SP15J123
	On-Depot Movement:	19-48-4306-5-11Q1000
	Side Opening ISO Container:	19-48-8734-SP15J124
	Storage:	19-48-8637-SP1-3-4-14-22J37

<u>INDEX NUMBER</u>	<u>DRAWING TYPE</u>	<u>DRAWING NUMBER</u>
156	6' Open Top ISO Container:	19-48-4187-15PA1007
	6' Open Top ISO - Mixed:	19-48-4190-15PM1006
	Boxcar:	19-48-4115-5PA1002
	Dromedary:	19-48-4252-11Q1000
	End Opening ISO Container:	19-48-4318-15PA1010
	End Opening ISO - Mixed Loads:	19-48-4189-15PM1005
	European Boxcar:	19-48-4288-5PA1006
	Korean Gondola:	19-48-4253-5PQ1000
	MILVAN:	19-48-4319-15PA1011
	On-Depot Movement:	19-48-4306-5-11Q1000
	Side Opening ISO Container:	19-48-4321-15PA1012
	Storage:	19-48-4118-1-2-3-4-14-22PA1002
	Storage of Small Quantities/Lots:	19-48-4146-1-2-3-4-14-22Q1000
	Tactical Vehicle - PLS - Highway:	19-48-4903-CA17Q2
	Tactical Vehicle - Steel Strap:	19-48-4900-CA17Q1
	Tactical Vehicle - Unit Basic Load:	19-48-4901/5-CA17Q2
	Tactical Vehicle - Web Strap:	19-48-4901/4-CA17Q2
	TOFC, Van, Palla-Gard:	19-48-4182-15PA1006
	TOFC, Van Trailer, BHD:	19-48-4036-15PA1000
	TOFC, Van Trailer, BHD - Loose:	19-48-4037-15A1000
	TOFC, Van Trailer, Mech:	19-48-4028-15P1
	TOFC, Van Trailer, Mech - Loose:	19-48-4048-11-15A1000
	Van Trailer:	19-48-4117-11PA1003

<u>INDEX NUMBER</u>	<u>DRAWING TYPE</u>	<u>DRAWING NUMBER</u>
157	6' Open Top ISO - Mixed:	19-48-4190-15PM1006
	Arch (26'-6" W) Mag - Loose:	19-48-4007/2-1M1000
	Arch (25' W) Mag. - Loose:	19-48-4007/3-1M1000
	Arch (11' H) Mag. - Loose:	19-48-4007/4-1M1000
	Arch (10' H) Mag. - Loose:	19-48-4007/5-1M1000
	Basic Unitization Procedures:	19-48-4326-20PM1012
	Boxcar:	19-48-4330/50-5PM1007
	Boxcar - Loose:	19-48-4017-5M1002
	Corbetta Magazine - Loose:	19-48-4007/7-4M1000
	CROP:	19-48-4906-CA17Q7
	Dromedary:	19-48-4252-11Q1000
	End Opening ISO Container:	19-48-4333/50-15PM1024
	End Opening ISO - Mixed Loads:	19-48-4189-15PM1005
	European Boxcar:	19-48-4287-5PM1006
	Igloo Magazine - Loose:	19-48-4007/1-1M1000
	Index of Appendices:	19-48-4326/0-20PM1012
	MILVAN:	19-48-4332/50-15PM1023
	On-Depot Movement:	19-48-4306-5-11Q1000
	Rectangular Magazine - Loose:	19-48-4007/6-3M1000
	Side Opening ISO Container:	19-48-4334/50-15PM1025
	Storage:	19-48-4335/50-1-3-4-14-22PM1007
	Storage of Small Quantities/Lots:	19-48-4146-1-2-3-4-14-22Q1000
	Tactical Vehicle - PLS - Highway:	19-48-4903-CA17Q2
	Tactical Vehicle - Steel Strap:	19-48-4900-CA17Q1
	Tactical Vehicle - Unit Basic Load:	19-48-4901/5-CA17Q2
	Tactical Vehicle - Web Strap:	19-48-4901/3-CA17Q2
	TOFC, Van Trailer, BHD - Loose:	19-48-4033-15M1000
	TOFC, Van Trailer, Mech:	19-48-4100-15PM1000
	Van Trailer:	19-48-4331/50-11PM1007
	Van Trailer - Loose:	19-48-4021-11M1000

<u>INDEX NUMBER</u>	<u>DRAWING TYPE</u>	<u>DRAWING NUMBER</u>
158	6' Open Top ISO - Mixed:	19-48-4190-15PM1006
	CROP:	19-48-4906/11-CA17Q7
	Dromedary:	19-48-4252-11Q1000
	End Opening ISO Container:	19-48-5998-GM15JV5
	End Opening ISO - Mixed Loads:	19-48-4189-15PM1005
	MILVAN:	19-48-5997-GM15JV4
	On-Depot Movement:	19-48-4306-5-11Q1000
	Retrograde Pallet Box:	19-48-5264/8-GM20MS1
	Side Opening ISO Container:	19-48-5999-GM15JV6
	Storage:	19-48-5271-GM1-3-4-14-22JV2
	Storage of Small Quantities/Lots:	19-48-4146-1-2-3-4-14-22Q1000
	Tactical Vehicle:	19-48-8218-GM17JV2
	Van Trailer:	19-48-5996-GM11JV2

<u>INDEX NUMBER</u>	<u>DRAWING TYPE</u>	<u>DRAWING NUMBER</u>
159	6' Open Top ISO - Mixed:	19-48-4190-15PM1006
	Arch (26'-6" W) Mag - Loose:	19-48-4007/2-1M1000
	Arch (25' W X 12' H) Mag - Loose:	19-48-4007/3-1M1000
	Arch (11' H) Type Mag - Loose:	19-48-4007/4-1M1000
	Arch (10' H) Type Mag - Loose:	19-48-4007/5-1M1000
	Basic Unitization Procedures:	19-48-4326-20PM1012
	Boxcar:	19-48-4330/60-5PM1007
	Boxcar - Loose:	19-48-4017-5M1002
	Corbetta Magazine - Loose:	19-48-4007/7-4M1000
	CROP:	19-48-4906-CA17Q7
	Dromedary:	19-48-4252-11Q1000
	End Opening ISO Container:	19-48-4333/60-15PM1024
	End Opening ISO - Mixed Loads:	19-48-4189-15PM1005
	European Boxcar:	19-48-4288-5PA1006
	Igloo Magazine - Loose:	19-48-4007/1-1M1000
	Index of Appendices:	19-48-4326/0-20PM1012
	MILVAN:	19-48-4332/60-15PM1023
	On-Depot Movement:	19-48-4306-5-11Q1000
	Rectangular Magazine - Loose:	19-48-4007/6-3M1000
	Side Opening ISO Container:	19-48-4334/60-15PM1025
	Storage:	19-48-4335/60-1-3-4-14-22PM1007
	Storage of Small Quantities/Lots:	19-48-4146-1-2-3-4-14-22Q1000
	Tactical Vehicle - PLS - Highway:	19-48-4903-CA17Q2
	Tactical Vehicle - Steel Strap:	19-48-4900-CA17Q1
	Tactical Vehicle - Unit Basic Load:	19-48-4901/5-CA17Q2
	Tactical Vehicle - Web Strap:	19-48-4901/3-CA17Q2
	TOFC, Van Trailer, BHD - Loose:	19-48-4033-15M1000
	TOFC, Van Trailer, Mech:	19-48-4100-15PM1000
	Van Trailer:	19-48-4331/60-11PM1007
	Van Trailer - Loose:	19-48-4021-11M1000

<u>INDEX NUMBER</u>	<u>DRAWING TYPE</u>	<u>DRAWING NUMBER</u>
160	6' Open Top ISO - Mixed:	19-48-4190-15PM1006
	Arch (26'-6" W) Mag - Loose:	19-48-4007/2-1M1000
	Arch (25' W X 12' H) Mag - Loose:	19-48-4007/3-1M1000
	Arch (11' H) Type Mag - Loose:	19-48-4007/4-1M1000
	Arch (10' H) Type Mag - Loose:	19-48-4007/5-1M1000
	Basic Unitization Procedures:	19-48-4326-20PM1012
	Boxcar:	19-48-4330/61-5PM1007
	Boxcar - Loose:	19-48-4017-5M1002
	Corbetta Magazine - Loose:	19-48-4007/7-4M1000
	CROP:	19-48-4906-CA17Q7
	Dromedary:	19-48-4252-11Q1000
	End Opening ISO Container:	19-48-4333/61-15PM1024
	End Opening ISO - Mixed Loads:	19-48-4189-15PM1005
	European Boxcar:	19-48-4288-5PA1006
	Igloo Magazine - Loose:	19-48-4007/1-1M1000
	Index of Appendices:	19-48-4326/0-20PM1012
	MILVAN:	19-48-4332/61-15PM1023
	On-Depot Movement:	19-48-4306-5-11Q1000
	Rectangular Magazine - Loose:	19-48-4007/6-3M1000
	Side Opening ISO Container:	19-48-4334/61-15PM1025
	Storage:	19-48-4335/61-1-3-4-14-22PM1007
	Storage of Small Quantities/Lots:	19-48-4146-1-2-3-4-14-22Q1000
	Tactical Vehicle - PLS - Highway:	19-48-4903-CA17Q2
Tactical Vehicle - Steel Strap:	19-48-4900-CA17Q1	
Tactical Vehicle - Unit Basic Load:	19-48-4901/5-CA17Q2	
Tactical Vehicle - Web Strap:	19-48-4901/3-CA17Q2	
TOFC, Van Trailer, BHD - Loose:	19-48-4033-15M1000	
TOFC, Van Trailer, Mech:	19-48-4100-15PM1000	
Van Trailer:	19-48-4331/61-11PM1007	
Van Trailer - Loose:	19-48-4021-11M1000	

<u>INDEX NUMBER</u>	<u>DRAWING TYPE</u>	<u>DRAWING NUMBER</u>
161	End Opening ISO Container:	19-48-8667-SP15J100
	Flatbed:	19-48-8671-SP11J101
	Flatrack ISO Container:	19-48-8672-SP15J103
	MILVAN:	19-48-8669-SP15J102
	On-Depot Movement:	19-48-4306-5-11Q1000
	Side Opening ISO Container:	19-48-8668-SP15J101
Van Trailer:	19-48-8670-SP11J100	

<u>INDEX NUMBER</u>	<u>DRAWING TYPE</u>	<u>DRAWING NUMBER</u>
162	6' Open Top ISO - Mixed:	19-48-4190-15PM1006
	Arch (26'-6" W) Mag - Loose:	19-48-4007/2-1M1000
	Arch (25' W X 12' H) Mag - Loose:	19-48-4007/3-1M1000
	Arch (11' H) Type Mag - Loose:	19-48-4007/4-1M1000
	Arch (10' H) Type Mag - Loose:	19-48-4007/5-1M1000
	Basic Unitization Procedures:	19-48-4326-20PM1012
	Boxcar:	19-48-4330/50A-5PM1007
	Boxcar - Loose:	19-48-4017-5M1002
	Corbetta Magazine - Loose:	19-48-4007/7-4M1000
	CROP:	19-48-4906-CA17Q7
	Dromedary:	19-48-4252-11Q1000
	End Opening ISO Container:	19-48-4333/50A-15PM1024
	End Opening ISO - Mixed Loads:	19-48-4189-15PM1005
	European Boxcar:	19-48-4287-5PM1006
	Igloo Magazine - Loose:	19-48-4007/1-1M1000
	Index of Appendices:	19-48-4326/0-20PM1012
	MILVAN:	19-48-4332/50A-15PM1023
	On-Depot Movement:	19-48-4306-5-11Q1000
	Rectangular Magazine - Loose:	19-48-4007/6-3M1000
	Side Opening ISO Container:	19-48-4334/50A-15PM1025
	Storage:	19-48-4335/50A-1-3-4-14-22PM1007
	Storage of Small Quantities/Lots:	19-48-4146-1-2-3-4-14-22Q1000
	Tactical Vehicle - PLS - Highway:	19-48-4903-CA17Q2
Tactical Vehicle - Steel Strap:	19-48-4900-CA17Q1	
Tactical Vehicle - Unit Basic Load:	19-48-4901/5-CA17Q2	
Tactical Vehicle - Web Strap:	19-48-4901/3-CA17Q2	
TOFC, Van Trailer, BHD - Loose:	19-48-4033-15M1000	
TOFC, Van Trailer, Mech:	19-48-4100-15PM1000	
Van Trailer:	19-48-4331/50A-11PM1007	
Van Trailer - Loose:	19-48-4021-11M1000	

<u>INDEX NUMBER</u>	<u>DRAWING TYPE</u>	<u>DRAWING NUMBER</u>
163	Boxcar:	19-48-4115-5PA1002
	CROP:	19-48-4906-CA17Q7
	End Opening ISO Container:	19-48-4322-15CB1001
	MILVAN:	19-48-4323-15CB1002
	On-Depot Movement:	19-48-4306-5-11Q1000
	Side Opening ISO Container:	19-48-4324-15CB1003
	Van Trailer:	19-48-4117-11PA1003

<u>INDEX NUMBER</u>	<u>DRAWING TYPE</u>	<u>DRAWING NUMBER</u>
164	Boxcar:	19-48-8691-SP5J20
	End Opening ISO Container:	19-48-8694-SP15J110
	Flatbed:	19-48-8692-SP11J104
	Flatrack ISO Container:	19-48-8698-SP15J113
	MILVAN:	19-48-8696-SP15J112
	On-Depot Movement:	19-48-4306-5-11Q1000
	Side Opening ISO Container:	19-48-8695-SP15J111
Van Trailer:	19-48-8693-SP11J105	

<u>INDEX NUMBER</u>	<u>DRAWING TYPE</u>	<u>DRAWING NUMBER</u>
165	End Opening ISO Container:	19-48-8154-GM15PA2
	European Boxcar:	19-48-8208-GM5PA3
	European Flatcar:	19-48-5520-GM5PA2
	Flatbed:	19-48-5970-GM11PA1
	Flatcar:	19-48-5519-GM5PA1
	Flatrack ISO Container:	19-48-8207-GM15PA4
	Korean Gondola:	19-48-8228-GM5PA7
	MILVAN:	19-48-8153-GM15PA1
	Netherlands Container:	D-SMCAC 4486
	Outdoor Storage for RRMC:	19-48-5274-GM21PA1
	Overpack:	D-SARAC 4500
	Shiploading:	19-48-5779-GM18PA1
	Side Opening ISO Container:	19-48-8199-GM15PA3
	Storage:	19-48-5242-GM1-3-4-14-22PA1
	Tactical Vehicle:	19-48-5978-GM17PA1
Van Trailer:	19-48-8194-GM11PA2	

<u>INDEX NUMBER</u>	<u>DRAWING TYPE</u>	<u>DRAWING NUMBER</u>
166	Boxcar:	19-48-8774-SP5J31
	End Opening ISO Container:	19-48-8778-SP15J144
	Flatbed:	19-48-8776-SP11J39
	MILVAN:	19-48-8777-SP15J143
	On-Depot Movement:	19-48-4306-5-11Q1000
	Side Opening ISO Container:	19-48-8779-SP15J145
	Storage:	19-48-8780-SP1-3-4-14-22J47
Van Trailer:	19-48-8775-SP11J38	

<u>INDEX NUMBER</u>	<u>DRAWING TYPE</u>	<u>DRAWING NUMBER</u>
167	Boxcar:	19-48-8685-SP5J19
	End Opening ISO Container:	19-48-8606-SP15J75
	Flatbed:	19-48-8687-SP11J117
	MILVAN:	19-48-8689-SP15J109
	On-Depot Movement:	19-48-4306-5-11Q1000
	Side Opening ISO Container:	19-48-8688-SP15J108
	Storage:	19-48-8690-SP1-3-4-14-22J41
Van Trailer:	19-48-8686-SP11J103	

<u>INDEX NUMBER</u>	<u>DRAWING TYPE</u>	<u>DRAWING NUMBER</u>
168	Boxcar:	19-48-8758-SP5J30
	End Opening ISO Container:	19-48-8759-SP15J139
	Flatbed:	19-48-8763-SP11J36
	Flatrack ISO Container:	19-48-8762-SP15J142
	MILVAN:	19-48-8760-SP15J140
	On-Depot Movement:	19-48-4306-5-11Q1000
	Side Opening ISO Container:	19-48-8761-SP15J141
Storage:	19-48-8765-SP1-3-4-14-22J46	
Van Trailer:	19-48-8764-SP11J37	

<u>INDEX NUMBER</u>	<u>DRAWING TYPE</u>	<u>DRAWING NUMBER</u>
169	Boxcar:	19-48-8797-SP5J33
	End Opening ISO Container:	19-48-8800-SP15J147
	Flatbed:	7516600
	Flatrack ISO Container:	19-48-8802-SP15J149
	MILVAN:	19-48-8799-SP15J146
	On-Depot Movement:	19-48-4306-5-11Q1000
	Side Opening ISO Container:	19-48-8801-SP15J148
Storage:	19-48-8803-SP1-3-4-14-22J49	
Van Trailer:	19-48-8798-SP11J42	

<u>INDEX NUMBER</u>	<u>DRAWING TYPE</u>	<u>DRAWING NUMBER</u>
170	Boxcar:	19-48-8766-SP5PB2
	End Opening:	19-48-8767-SP15PB13
	Flatbed:	19-48-8771-SP11PB3
	Flatrack ISO Container:	19-48-8770-SP15PB16
	MILVAN:	19-48-8768-SP15PB14
	On-Depot Movement:	19-48-4306-5-11Q1000
	Side Opening ISO Container:	19-48-8769-SP15PB15
	Storage:	19-48-8773-SP1-3-4-14-22PB4
	Unitization:	6214303

<u>INDEX NUMBER</u>	<u>DRAWING TYPE</u>	<u>DRAWING NUMBER</u>
171	Boxcar:	19-48-8785-SP5K5
	End Opening ISO Container:	19-48-8788-SP15K10
	Flatbed or Van Trailer:	6214089
	MILVAN:	19-48-8790-SP15K12
	On-Depot Movement:	19-48-4306-5-11Q1000
	Side Opening ISO Container:	19-48-8789-SP15K11
	Storage:	19-48-8791-SP1-3-4-14-22K2
	Unitization:	6214068
Van Trailer (Airbags):	19-48-8787-SP11K8	

<u>INDEX NUMBER</u>	<u>DRAWING TYPE</u>	<u>DRAWING NUMBER</u>
172	6' Open Top ISO – Mixed:	19-48-4190-15PM1006
	Boxcar:	19-48-8827-SP5J36
	CROP:	19-48-4906/104-CA17Q7
	Dromedary:	19-48-4252-11Q1000
	End Opening ISO Container:	19-48-8829-SP15J158
	End Opening ISO - Mixed Loads:	19-48-4189-15PM1005
	European Boxcar:	19-48-4288-5PA1006
	MILVAN:	19-48-8831-SP15J160
	On-Depot Movement:	19-48-4306-5-11Q1000
	Side Opening ISO Container:	19-48-8830-SP15J159
	Storage:	19-48-8832-SP1-3-4-14-22J52
	Storage of Small Quantities/Lots:	19-48-4146-1-2-3-4-14-22Q1000
	Tactical Vehicle:	19-48-8151-GM17HF1
	Van Trailer:	19-48-8828-SP11J43

<u>INDEX NUMBER</u>	<u>DRAWING TYPE</u>	<u>DRAWING NUMBER</u>
173	Boxcar:	19-48-8833-SP5J37
	End Opening ISO Container:	19-48-8836-SP15J161
	Flatbed:	19-48-8835-SP11J45
	Flatrack ISO Container:	19-48-8838-SP15J163
	MILVAN:	19-48-8839-SP15J164
	On-Depot Movement:	19-48-4306-5-11Q1000
	Side Opening ISO Container:	19-48-8837-SP15J162
	Storage:	19-48-8840-SP1-3-4-14-22J53
Van Trailer:	19-48-8834-SP11J44	

<u>INDEX NUMBER</u>	<u>DRAWING TYPE</u>	<u>DRAWING NUMBER</u>
174	Boxcar:	19-48-8818-SP5J35
	End Opening ISO Container:	19-48-8821-SP15J154
	Flatbed:	19-48-8819-SP11J120
	Flatrack ISO Container:	19-48-8824-SP15J157
	On-Depot Movement:	19-48-4306-5-11Q1000
	Side Opening ISO Container:	19-48-8822-SP15J155
	Storage:	19-48-8825-SP1-3-4-14-22J51
Van Trailer:	19-48-8820-SP11J121	

<u>INDEX NUMBER</u>	<u>DRAWING TYPE</u>	<u>DRAWING NUMBER</u>
175	Boxcar:	19-48-8679-SP5J18
	End Opening ISO Container:	19-48-8681-SP15J104
	Flatbed:	19-48-8680-SP11J106
	MILVAN:	19-48-8683-SP15J106
	On-Depot Movement:	19-48-4306-5-11Q1000
	Side Opening ISO Container:	19-48-8682-SP15J105
	Storage:	19-48-8684-1-3-4-14-22J40
Van Trailer:	6214079	

<u>INDEX NUMBER</u>	<u>DRAWING TYPE</u>	<u>DRAWING NUMBER</u>
176	Boxcar:	19-48-8841-SP5J38
	End Opening ISO Container:	19-48-8844-SP15J166
	Flatbed:	6214180
	Flatrack ISO Container:	19-48-8846-SP15J168
	Fleet Issue Unit Load:	6214173
	MILVAN:	19-48-8845-SP15J167
	On-Depot Movement:	19-48-4306-5-11Q1000
	Side Opening ISO Container:	19-48-8843-SP15J165
	Storage:	19-48-8847-SP1-3-4-14-22J54
	Van Trailer:	19-48-8842-SP11J122

<u>INDEX NUMBER</u>	<u>DRAWING TYPE</u>	<u>DRAWING NUMBER</u>
177	6' Open Top ISO Container:	19-48-4187-15PA1007
	6' Open Top ISO - Mixed:	19-48-4190-15PM1006
	Boxcar:	19-48-8673-SP5PM1
	Boxcar - Loose:	19-48-1634-5A29
	CROP:	19-48-4906-CA17Q7
	Dromedary:	19-48-4252-11Q1000
	End Opening ISO Container:	19-48-8675-SP15M2
	End Opening ISO - Mixed Loads:	19-48-4189-15PM1005
	European Boxcar:	19-48-4288-5PA1006
	Korean Gondola:	19-48-4253-5PQ1000
	MILVAN:	19-48-8677-SP15PM4
	On-Depot Movement:	19-48-4306-5-11Q1000
	Side Opening ISO Container:	19-48-8676-SP15PM3
	Storage:	19-48-8678-SP1-3-4-14-22PM3
	Storage - Loose:	19-48-4005-1-2-3-4-14-22A1000
	Storage of Small Quantities/Lots:	19-48-4146-1-2-3-4-14-22Q1000
	Tactical Vehicle - PLS - Highway:	19-48-4903-CA17Q2
	Tactical Vehicle - Steel Strap:	19-48-4900-CA17Q1
	Tactical Vehicle - Unit Basic Load:	19-48-4901/5-CA17Q2
	Tactical Vehicle - Web Strap:	19-48-4901/4-CA17Q2
	TOFC, Van, Palla-Gard:	19-48-4182-15PA1006
	TOFC, Van Trailer, BHD:	19-48-4036-15PA1000
	TOFC, Van Trailer, BHD - Loose:	19-48-4037-15A1000
	TOFC, Van Trailer, Mech:	19-48-4028-15P1
	TOFC, Van Trailer, Mech - Loose:	19-48-4048-11-15A1000
	Van Trailer:	19-48-8674-SP11PM1
	Van Trailer - Loose:	19-48-4013-11A1001

<u>INDEX NUMBER</u>	<u>DRAWING TYPE</u>	<u>DRAWING NUMBER</u>
178	End Opening ISO Container:	19-48-8221-GM15PA5
	Flatbed:	19-48-8220-GM11PA4
	Flatrack ISO Container:	19-48-8222-GM15PA6
	MILVAN:	19-48-8223-GM15PA7
	Shiploading:	19-48-5787-GM18PA2
	Side Opening ISO Container:	19-48-8224-GM15PA8
	Storage:	19-48-5272-GM1-3-4-14-22PA2
	Van Trailer:	19-48-8219-GM11PA3

<u>INDEX NUMBER</u>	<u>DRAWING TYPE</u>	<u>DRAWING NUMBER</u>
179	Boxcar:	WR-52/77
	End Opening ISO Container:	19-48-4353-15PB1014
	On-Depot Movement:	19-48-4306-5-11Q1000
	Side Opening ISO Container:	19-48-4354-15PB1015
	TOFC:	WR-51/46
	Unitization:	WR-53/705
	Van Trailer:	WR-51/39

<u>INDEX NUMBER</u>	<u>DRAWING TYPE</u>	<u>DRAWING NUMBER</u>
180	Boxcar:	19-48-8848-SP5PB3
	End Opening ISO Container:	19-48-8851-SP15PB20
	Flatbed:	19-48-8850-SP11PB7
	Flatrack ISO Container:	19-48-8854-SP15PB23
	MILVAN:	19-48-8853-SP15PB22
	On-Depot Movement:	19-48-4306-5-11Q1000
	Side Opening ISO Container:	19-48-8852-SP15PB21
	Storage:	19-48-8855-SP1-3-4-14-22PB5
	Van Trailer:	19-48-8849-SP11PB6

<u>INDEX NUMBER</u>	<u>DRAWING TYPE</u>	<u>DRAWING NUMBER</u>
181	Boxcar:	19-48-8805-SP5PM2
	End Opening ISO Container:	19-48-8806-SP15PM5
	MILVAN:	19-48-8807-SP15PM6
	On-Depot Movement:	19-48-4306-5-11Q1000
	Side Opening ISO Container:	19-48-8808-SP15PM7

<u>INDEX NUMBER</u>	<u>DRAWING TYPE</u>	<u>DRAWING NUMBER</u>
182	Boxcar:	19-48-8862-SP5J39
	End Opening ISO Container:	19-48-8866-SP15J170
	Flatbed:	19-48-8864-SP11J124
	Flatrack ISO Container:	19-48-8868-SP15J172
	MILVAN:	19-48-8865-SP15J169
	On-Depot Movement:	19-48-4306-5-11Q1000
	Side Opening ISO Container:	19-48-8867-SP15J171
	Storage:	19-48-8869-SP1-3-4-14-22J55
Van Trailer:	19-48-8863-SP11J123	

<u>INDEX NUMBER</u>	<u>DRAWING TYPE</u>	<u>DRAWING NUMBER</u>
183	End Opening ISO Container:	19-48-8727-SP15J126
	Flatbed:	6213960
	On-Depot Movement:	19-48-4306-5-11Q1000
	MILVAN:	19-48-8728-SP15J127
	Side Opening ISO Container:	19-48-8729-SP15J128
	Van Trailer:	19-48-8731-SP11J110

<u>INDEX NUMBER</u>	<u>DRAWING TYPE</u>	<u>DRAWING NUMBER</u>
184	Boxcar:	19-48-8699-SP5J21
	End Opening ISO Container:	19-48-8702-SP15J114
	Flatbed:	6214481
	Flatrack ISO Container:	19-48-8706-SP15J117
	Fleet Issue Unit Load:	6214480
	MILVAN:	19-48-8704-SP15J116
	Side Opening ISO Container:	19-48-8703-SP15J115
	Storage:	19-48-8705-SP-1-3-4-14-22J43
	Van Trailer:	19-48-8701-SP11J107

<u>INDEX NUMBER</u>	<u>DRAWING TYPE</u>	<u>DRAWING NUMBER</u>
185	Storage:	19-48-4118-1-2-3-4-14-22PA1002
	Van Trailer:	19-48-4117-11PA1003

<u>INDEX NUMBER</u>	<u>DRAWING TYPE</u>	<u>DRAWING NUMBER</u>
187	40' Flatrack ISO Container:	19-48-8237-GM15TH1
	40' Side Opening ISO Container:	19-48-8239-GM15TH3
	Common Trailer:	19-48-8234-GM11TH2
	Flatbed:	19-48-8233-GM11TH1
	Shiploading:	19-48-5788-GM18TH1
	Storage:	19-48-5277-GM1-3-4-14-22TH2
	Storage (Guam):	19-48-5282-GM3TH1
	Stradley Storage (ANMC):	19-48-5280-GM14TH1
	Tactical Vehicle:	19-48-8235-GM17TH1

<u>INDEX NUMBER</u>	<u>DRAWING TYPE</u>	<u>DRAWING NUMBER</u>
188	End Opening ISO Container:	19-48-8870-SP15J173
	Flatbed:	19-48-8782-SP11J40
	Storage:	19-48-8784-SP1-3-4-14-22J48
	Van Trailer:	19-48-8783-SP11J41

<u>INDEX NUMBER</u>	<u>DRAWING TYPE</u>	<u>DRAWING NUMBER</u>
189	COAI:	ACV00833
	End Opening ISO Container:	19-48-4245/62-15PM1009
	End Opening ISO Container (Ty-Gard):	19-48-4245/62A-15PM1009
	MILVAN:	19-48-4244/62-15PM1008
	Side Opening ISO Containers:	19-48-4272/62-15PM1016

<u>INDEX NUMBER</u>	<u>DRAWING TYPE</u>	<u>DRAWING NUMBER</u>
190	End Opening ISO Container:	19-48-4346-15P1000
	End Opening ISO Container (Ty-Gard):	19-48-4346A-15P1000
	MILVAN:	19-48-4348-15P1002
	Side Opening ISO Container:	19-48-4347-15P1001

<u>INDEX NUMBER</u>	<u>DRAWING TYPE</u>	<u>DRAWING NUMBER</u>
191	End Opening ISO Container:	19-48-8858-SP15PM8
	MILVAN:	19-48-8860-SP15PM10
	Side Opening ISO Container:	19-48-8859-SP15PM9
	Storage:	19-48-8861-SP1-3-4-14-22PM5
	Van Trailer:	19-48-8857-SP11PM3

<u>INDEX NUMBER</u>	<u>DRAWING TYPE</u>	<u>DRAWING NUMBER</u>
192	End Opening ISO Container:	19-48-8884-SP15J177
	Flatbed:	19-48-8883-SP11J47
	Flatrack ISO Container:	19-48-8886-SP15J179
	Side Opening ISO Container:	19-48-8885-SP15J178
	Storage:	19-48-8887-SP1-3-4-14-22J57

<u>INDEX NUMBER</u>	<u>DRAWING TYPE</u>	<u>DRAWING NUMBER</u>
193	Flatbed:	19-48-8240-GM11PA5
	Korean Covered Flat:	19-48-8247-GM5PA8
	Side Opening ISO Container:	19-48-8242-GM15PA9
	Storage:	19-48-5283-GM1-3-4-14-22PA3

<u>INDEX NUMBER</u>	<u>DRAWING TYPE</u>	<u>DRAWING NUMBER</u>
194	Side Opening ISO Container:	19-48-8664-SP15J99

<u>INDEX NUMBER</u>	<u>DRAWING TYPE</u>	<u>DRAWING NUMBER</u>
195	End Opening ISO Container:	19-48-8710-SP15J118
	Flatrack ISO Container:	19-48-8714-SP15J121
	MILVAN:	19-48-8712-SP15J120
	Side Opening ISO Container:	19-48-8711-SP15J99

<u>INDEX NUMBER</u>	<u>DRAWING TYPE</u>	<u>DRAWING NUMBER</u>
196	End Opening ISO Container:	19-48-8877-SP15J174
	Flatrack ISO Container:	19-48-8879-SP15J176
	Side Opening ISO Container:	19-48-8878-SP15J175
	Storage:	19-48-8880-SP1-3-4-14-22J56

<u>INDEX NUMBER</u>	<u>DRAWING TYPE</u>	<u>DRAWING NUMBER</u>
197	Flatrack ISO Container:	19-48-8889-SP15J181
	Side Opening ISO Container:	19-48-8888-SP15J180

<u>INDEX NUMBER</u>	<u>DRAWING TYPE</u>	<u>DRAWING NUMBER</u>
198	End Opening ISO Container:	19-48-4245/60A-15PM1009
	Side Opening ISO Container:	19-48-4272/60A-15PM1016
	Storage:	19-48-4250/60A-1-3-4-14-22PM1004

<u>INDEX NUMBER</u>	<u>DRAWING TYPE</u>	<u>DRAWING NUMBER</u>
199	End Opening ISO Container:	19-48-8252-GM15JG1
	MILVAN:	19-48-8253-GM15JG2
	Side Opening ISO Container:	19-48-8254-GM15JG3
	Van Trailer:	19-48-8256-GM11JG1

<u>INDEX NUMBER</u>	<u>DRAWING TYPE</u>	<u>DRAWING NUMBER</u>
200	Van Trailer:	19-48-4243/48A-11PM1004

<u>INDEX NUMBER</u>	<u>DRAWING TYPE</u>	<u>DRAWING NUMBER</u>
201	Side Opening ISO Container:	19-48-8891-SP15J183

<u>INDEX NUMBER</u>	<u>DRAWING TYPE</u>	<u>DRAWING NUMBER</u>
202	Flatbed:	19-48-8236-GM11TH3
	Stradley Storage:	19-48-5279-GM14TH3

<u>INDEX NUMBER</u>	<u>DRAWING TYPE</u>	<u>DRAWING NUMBER</u>
203	Common Trailer:	19-48-8270-GM11TH6
	Flatbed:	19-48-8248-GM11TH4
	Lowboy:	19-48-8249-GM11TH5
	Tactical Vehicle:	19-48-8250-GM17TH2

<u>INDEX NUMBER</u>	<u>DRAWING TYPE</u>	<u>DRAWING NUMBER</u>
204	Flatbed:	19-48-8263-GM11PS2
	Storage:	19-48-5287-GM1-3-4-14-22PS2

<u>INDEX NUMBER</u>	<u>DRAWING TYPE</u>	<u>DRAWING NUMBER</u>
205	End Opening ISO Container:	19-48-8814-SP15J151
	MILVAN:	19-48-8815-SP15J152
	Side Opening ISO Container:	19-48-8816-SP15J153

<u>INDEX NUMBER</u>	<u>DRAWING TYPE</u>	<u>DRAWING NUMBER</u>
206	COAI:	ACV00861

<u>INDEX NUMBER</u>	<u>DRAWING TYPE</u>	<u>DRAWING NUMBER</u>
207	End Opening ISO Container:	19-48-8897-SP15J185

<u>INDEX NUMBER</u>	<u>DRAWING TYPE</u>	<u>DRAWING NUMBER</u>
---------------------	---------------------	-----------------------

999 Drawings Unknown: This index number is used for items that the pertinent drawings are unable to be identified. This may occur for example when an item is commercially procured, or if an item has been procured under a performance specification instead of a technical data package. In these instances, item packages and palletization do not have to conform to one configuration, but are left up to the contractor to configure. Also, some items may be procured in quantities too small to make viable pallet units, and this have no palletization procedures defined.